

US00D538300S

(12) **United States Design Patent**
Moser

(10) **Patent No.:** **US D538,300 S**

(45) **Date of Patent:** **** Mar. 13, 2007**

(54) **SMALL PORTABLE AIR COMPRESSOR**

(76) Inventor: **John Moser**, 5239 Waltann La.,
Scottsdale, AZ (US) 85254

(**) Term: **14 Years**

(21) Appl. No.: **29/253,618**

(22) Filed: **Feb. 9, 2006**

(51) **LOC (8) Cl.** **15-02**

(52) **U.S. Cl.** **D15/9**

(58) **Field of Classification Search** D15/7-9;
D23/232, 231; 417/359, 415-416, 410.1,
417/321, 265, 405

See application file for complete search history.

(56) **References Cited**

U.S. PATENT DOCUMENTS

D486,835 S	*	2/2004	Hsiao	D15/9
D499,745 S	*	12/2004	Hsiao	D15/9
D507,278 S	*	7/2005	Moser, III	D15/9
D508,922 S	*	8/2005	Li et al.	D15/9
D520,025 S	*	5/2006	Chu	D15/9
D520,522 S	*	5/2006	Bakker et al.	D15/7

* cited by examiner

Primary Examiner—Ralf Seifert

(74) *Attorney, Agent, or Firm*—Michael C. Cesarano;
Akerman Senterfitt

(57) **CLAIM**

I claim the ornamental design for a small portable air compressor, as shown.

DESCRIPTION

FIG. 1 Is a front top perspective view of the small portable air compressor.

FIG. 2 is a left elevational view of the small portable air compressor.

FIG. 3 is a right elevational view of the small portable air compressor.

FIG. 4 is a front elevational view of the small portable air compressor.

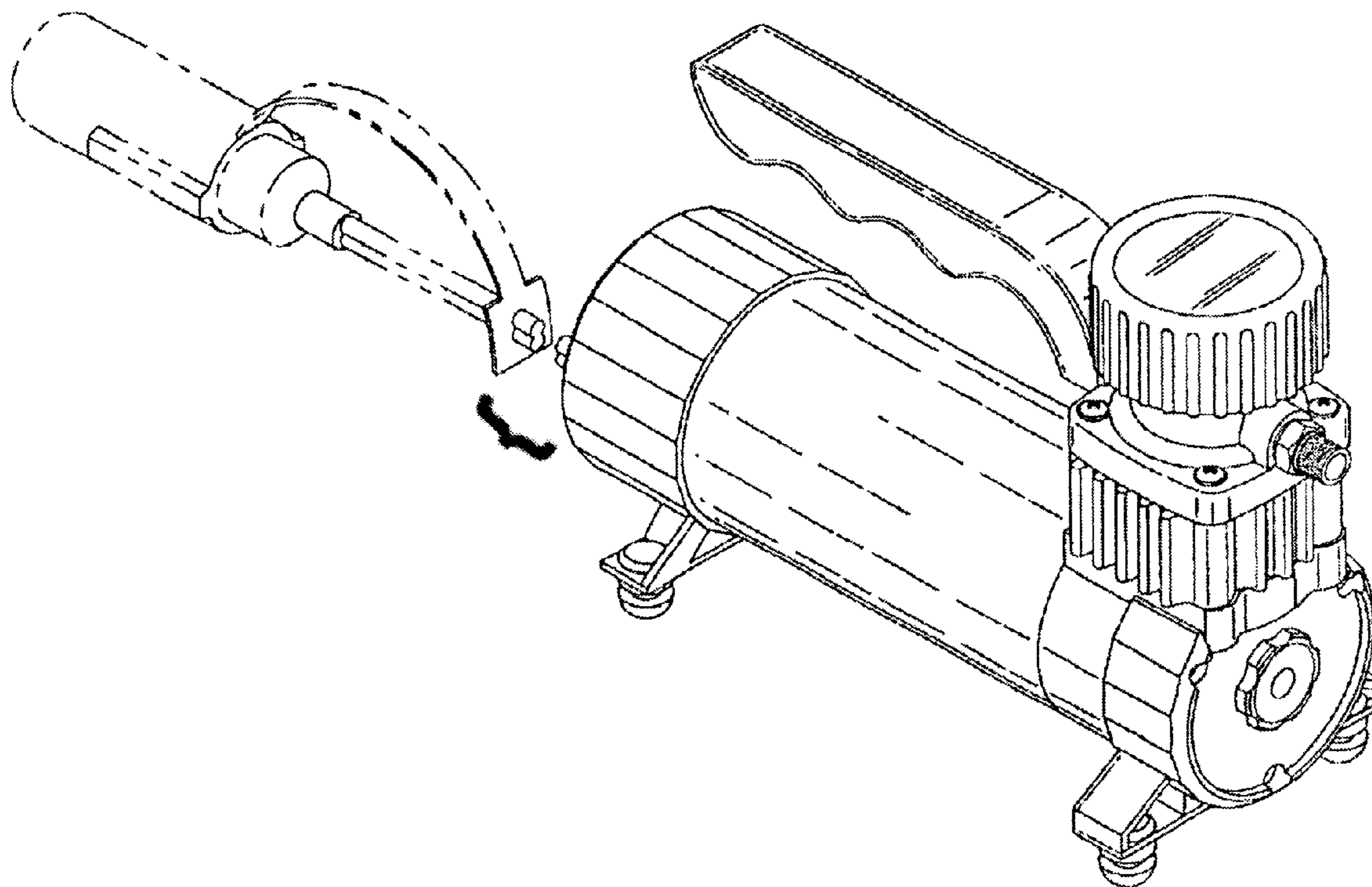
FIG. 5 is a rear elevational view of the small portable air compressor.

FIG. 6 is a top plan view of the small portable air compressor; and,

FIG. 7 is a bottom plan view of the small portable air compressor.

It being understood that the broken lines are for illustrative purposes only and form no part of the claimed design.

1 Claim, 4 Drawing Sheets



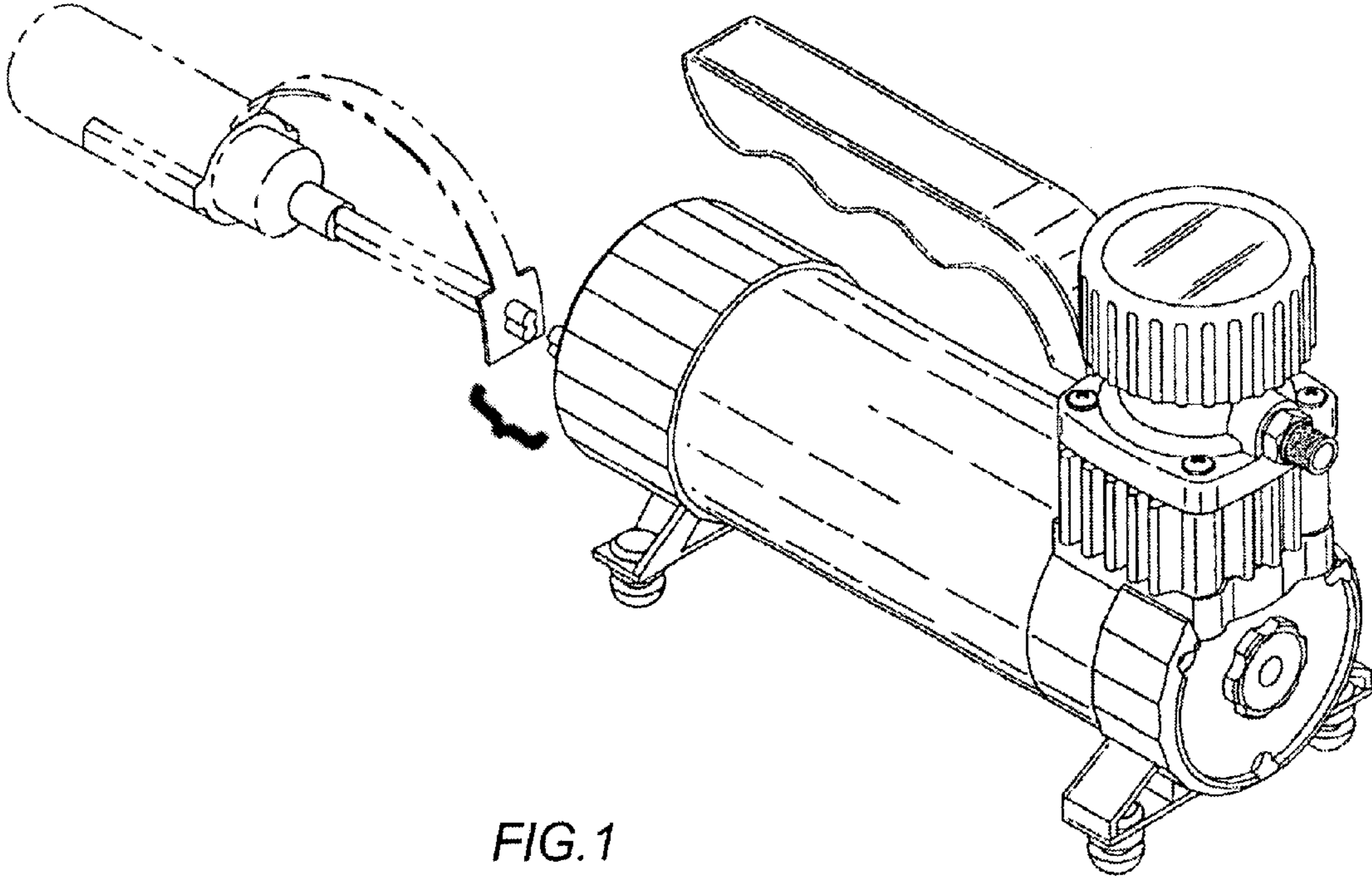
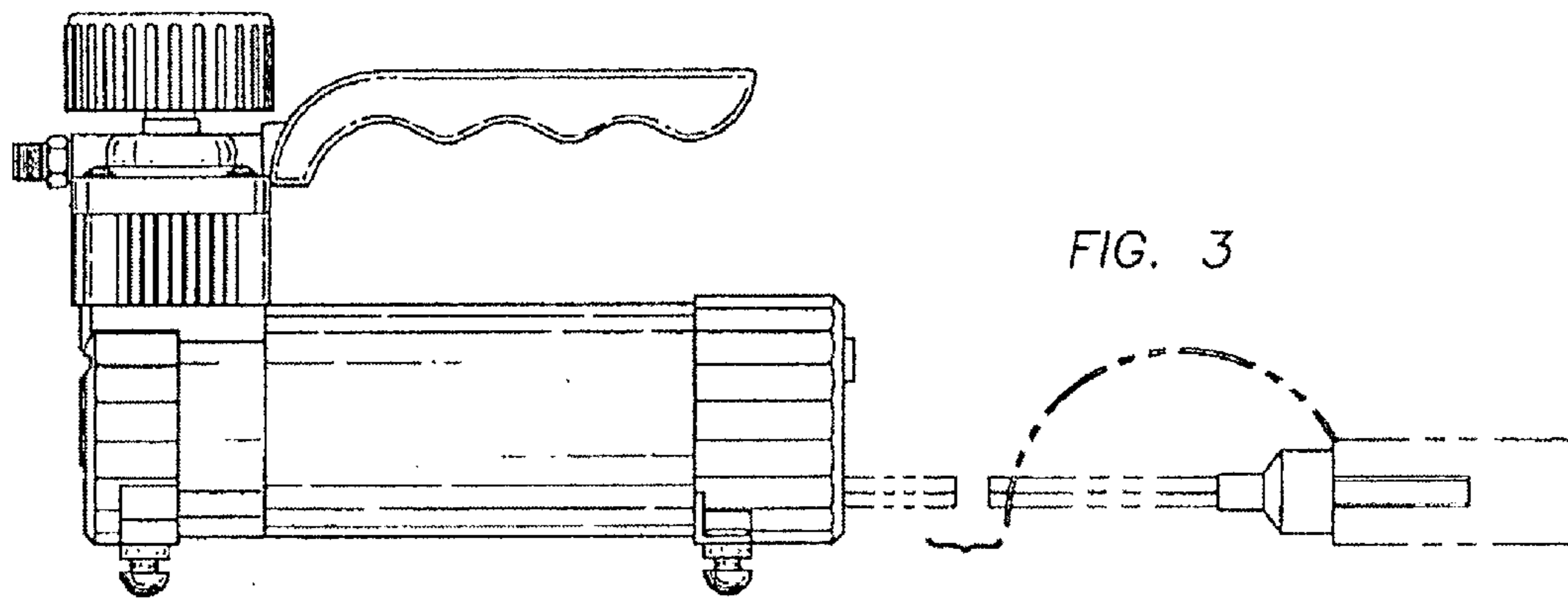
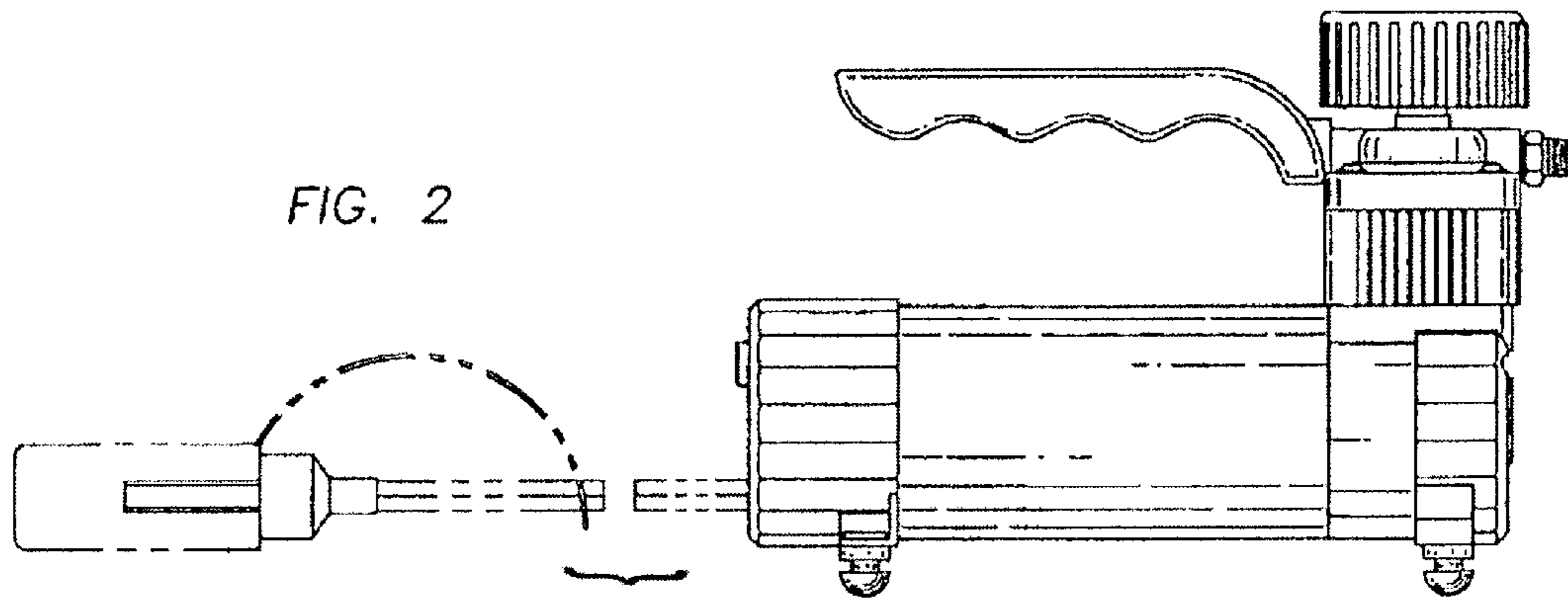


FIG. 1



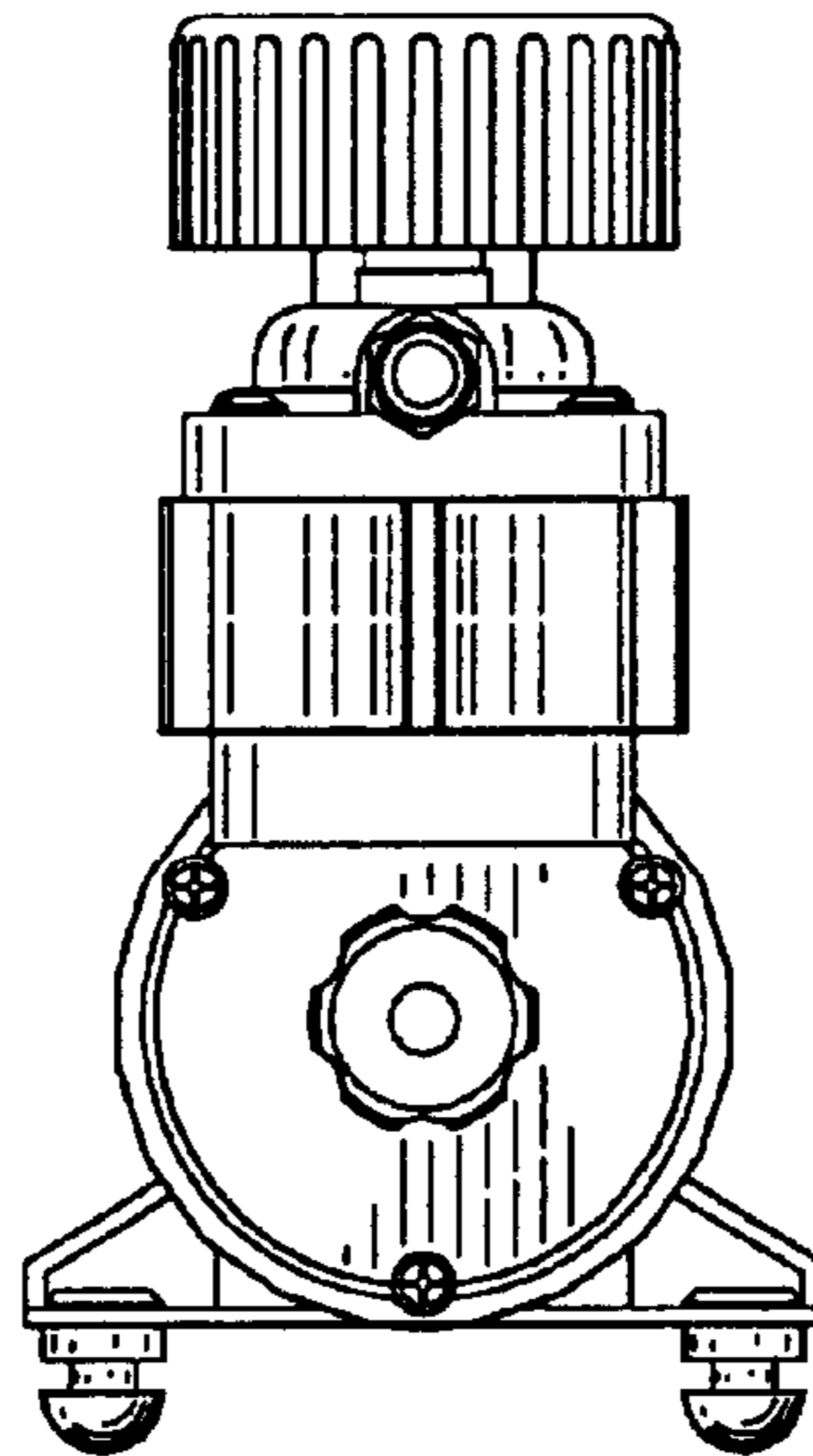


FIG. 4

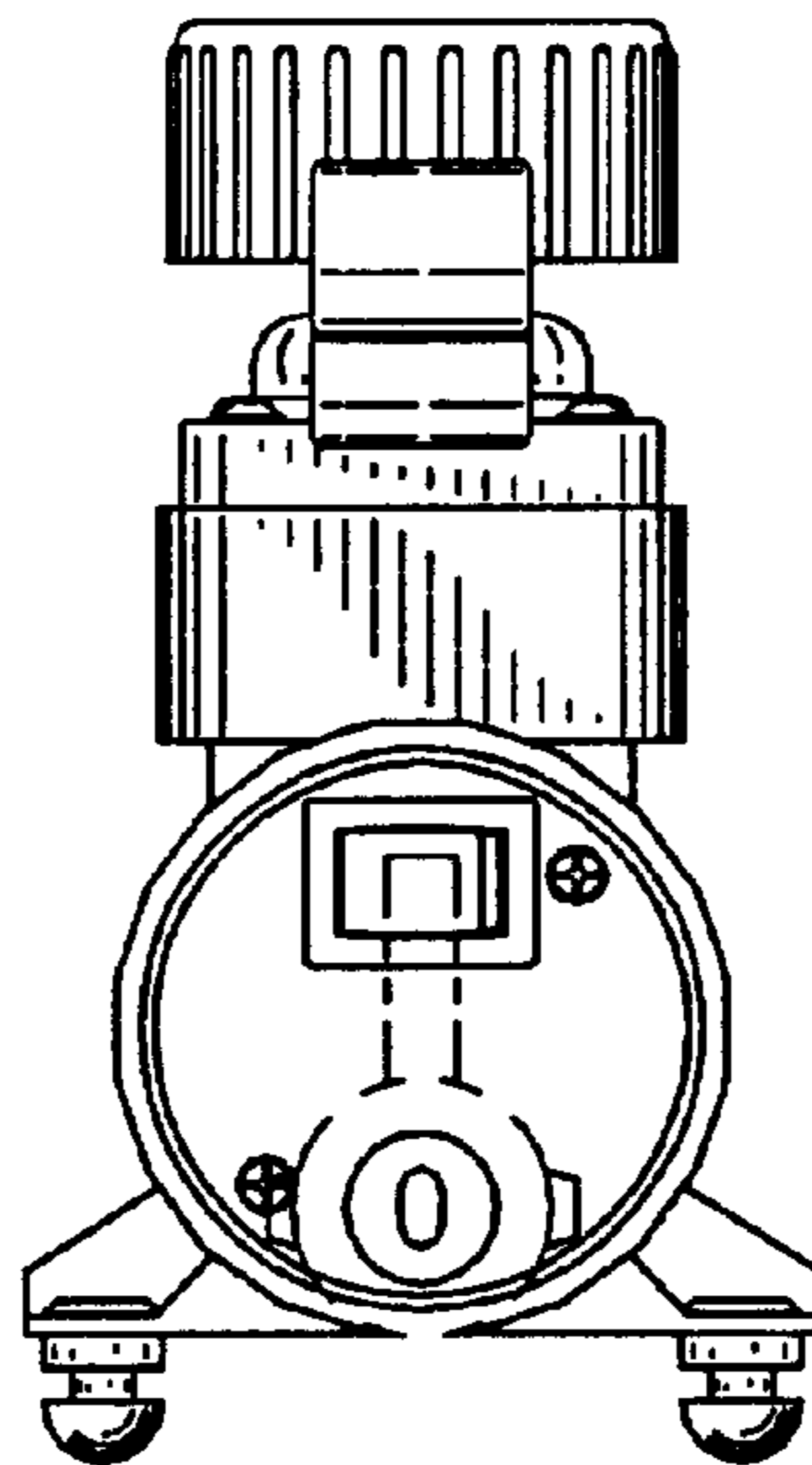


FIG. 5

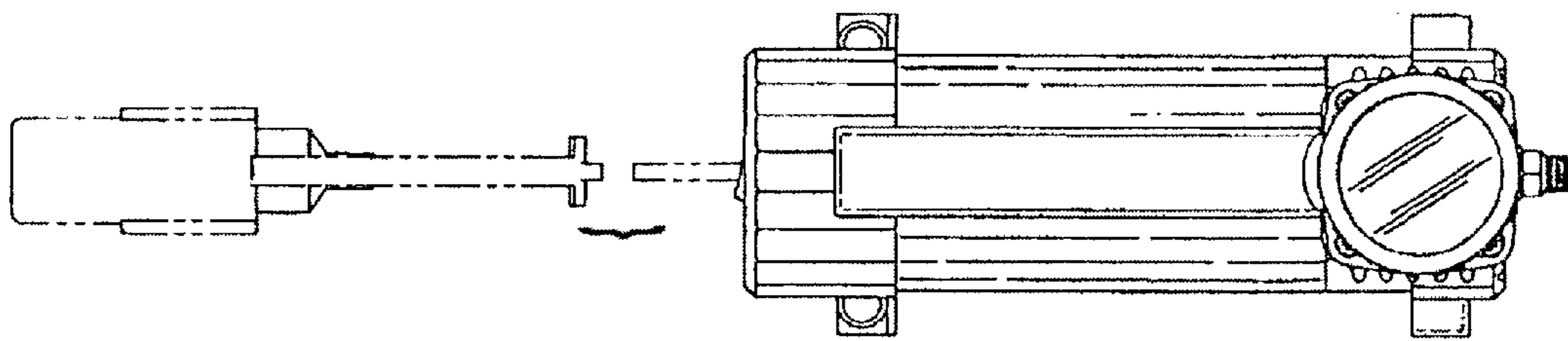


FIG. 6

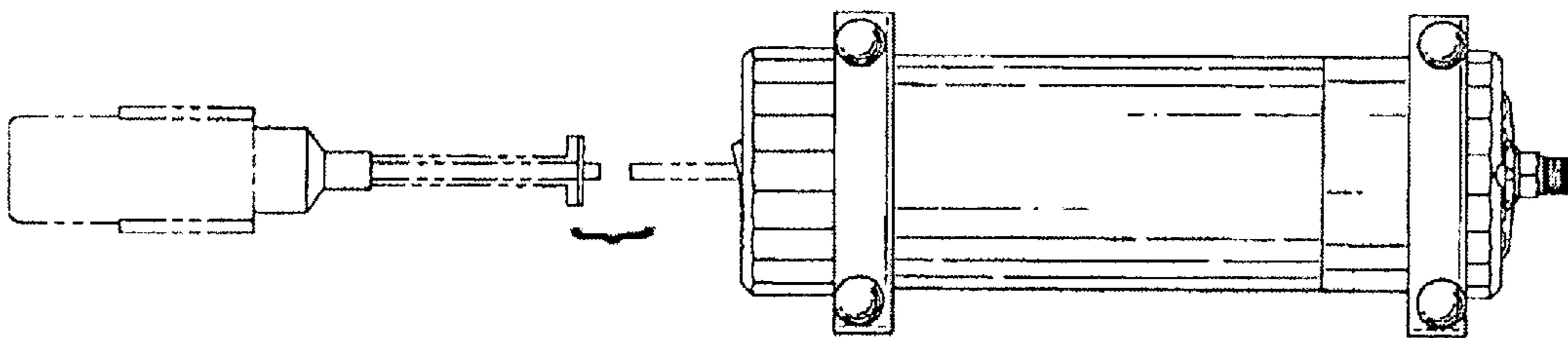


FIG. 7