



US00D538292S

(12) **United States Design Patent**
Croley et al.

(10) **Patent No.:** **US D538,292 S**
(45) **Date of Patent:** **** Mar. 13, 2007**

(54) **TOP PORTION HOUSING FOR A MODILE DEVICE**

D496,687 S * 9/2004 Matsumoto et al. D18/56
2005/0001037 A1 * 1/2005 Wulff 235/462.43

(75) Inventors: **Curt Croley**, Stoney Brook, NY (US);
Robert Spano, Smithtown, NY (US)

(73) Assignee: **Symbol Technologies, Inc.**, Holtsville,
NY (US)

(**) Term: **14 Years**

(21) Appl. No.: **29/258,209**

(22) Filed: **Apr. 18, 2006**

(51) **LOC (8) Cl.** **14-02**

(52) **U.S. Cl.** **D14/453**

(58) **Field of Classification Search** D14/126,
D14/142, 218, 251, 253, 341, 346, 347, 356,
D14/420-430, 432, 434, 453, 466; D13/107,
D13/184; D21/333; 235/435, 486, 462.43,
235/462.45; 248/159, 678; 320/114-5, 123;
361/679; 379/455; 382/313, 321; 455/561,
455/572, 575.1

See application file for complete search history.

(56) **References Cited**

U.S. PATENT DOCUMENTS

D414,760 S * 10/1999 Hetfield et al. D14/426
D462,357 S * 9/2002 Jenkins D14/426
D465,213 S * 11/2002 Baumert et al. D14/218
D494,593 S * 8/2004 Wulff et al. D14/429
D496,366 S * 9/2004 Croley et al. D14/429

OTHER PUBLICATIONS

Symbol Technologies, PDT 8100 Series Portable Data Terminal, Jul. 19, 2004, http://web.archive.org/web/20040719083806/www.symbol.com/products/mobile_computers/mobile_pdt8100.html.*

* cited by examiner

Primary Examiner—Alan P. Douglas

Assistant Examiner—Angela J. Lee

(74) *Attorney, Agent, or Firm*—Kay Kaplun & Marcin, LLP

(57) **CLAIM**

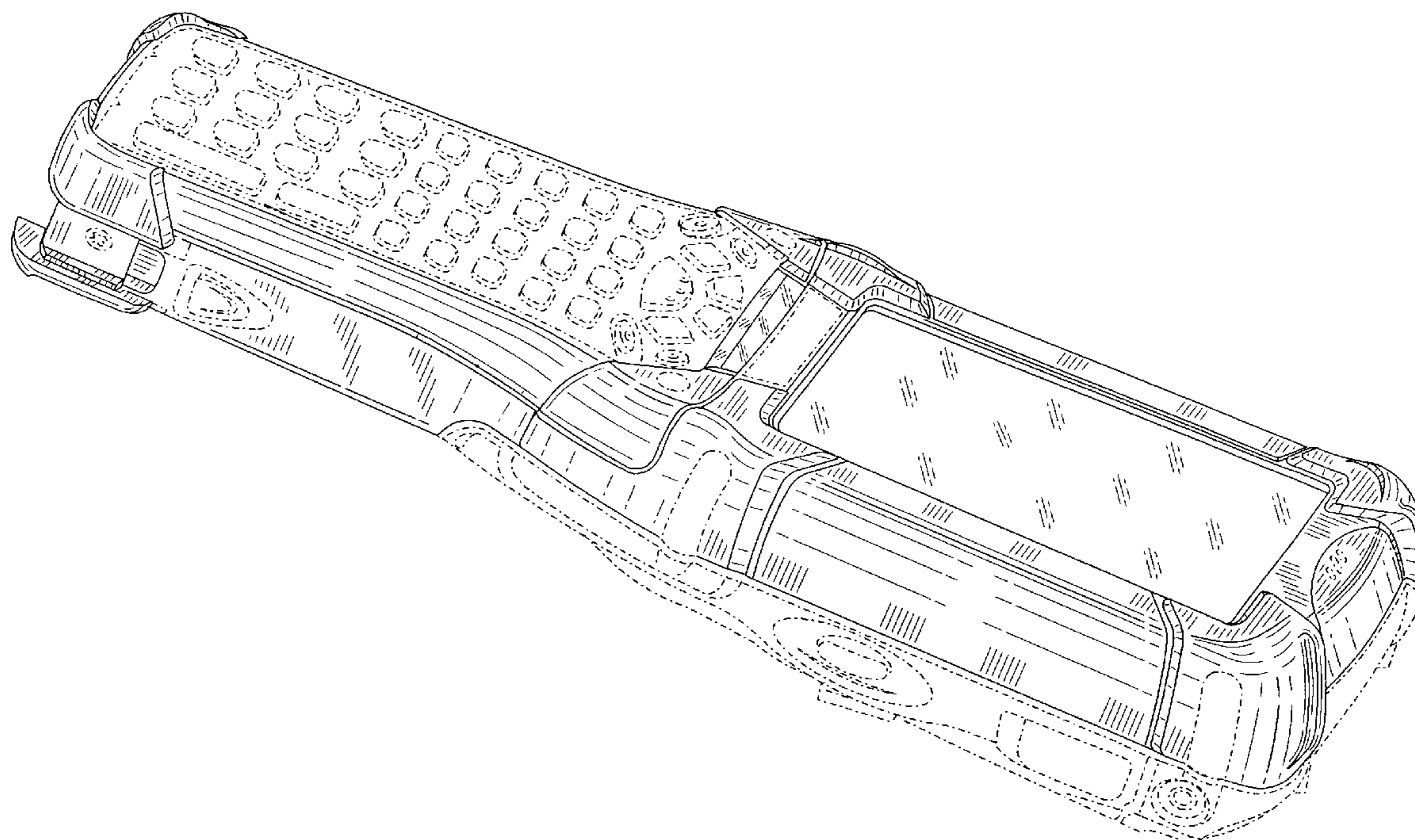
The ornamental design for a top portion housing for a mobile device, as shown and described.

DESCRIPTION

FIG. 1 is a first side view of a top portion housing for a mobile device showing our new design; FIG. 2 is a second side view thereof; FIG. 3 is a third side view thereof; FIG. 4 is a fourth side view thereof; FIG. 5 is a fifth side view thereof; FIG. 6 is a sixth side view thereof; and, FIG. 7 is an isometric view thereof.

The broken lines shown in FIGS. 1-7 are included for illustrative purposes only and form no part of the claimed design.

1 Claim, 6 Drawing Sheets



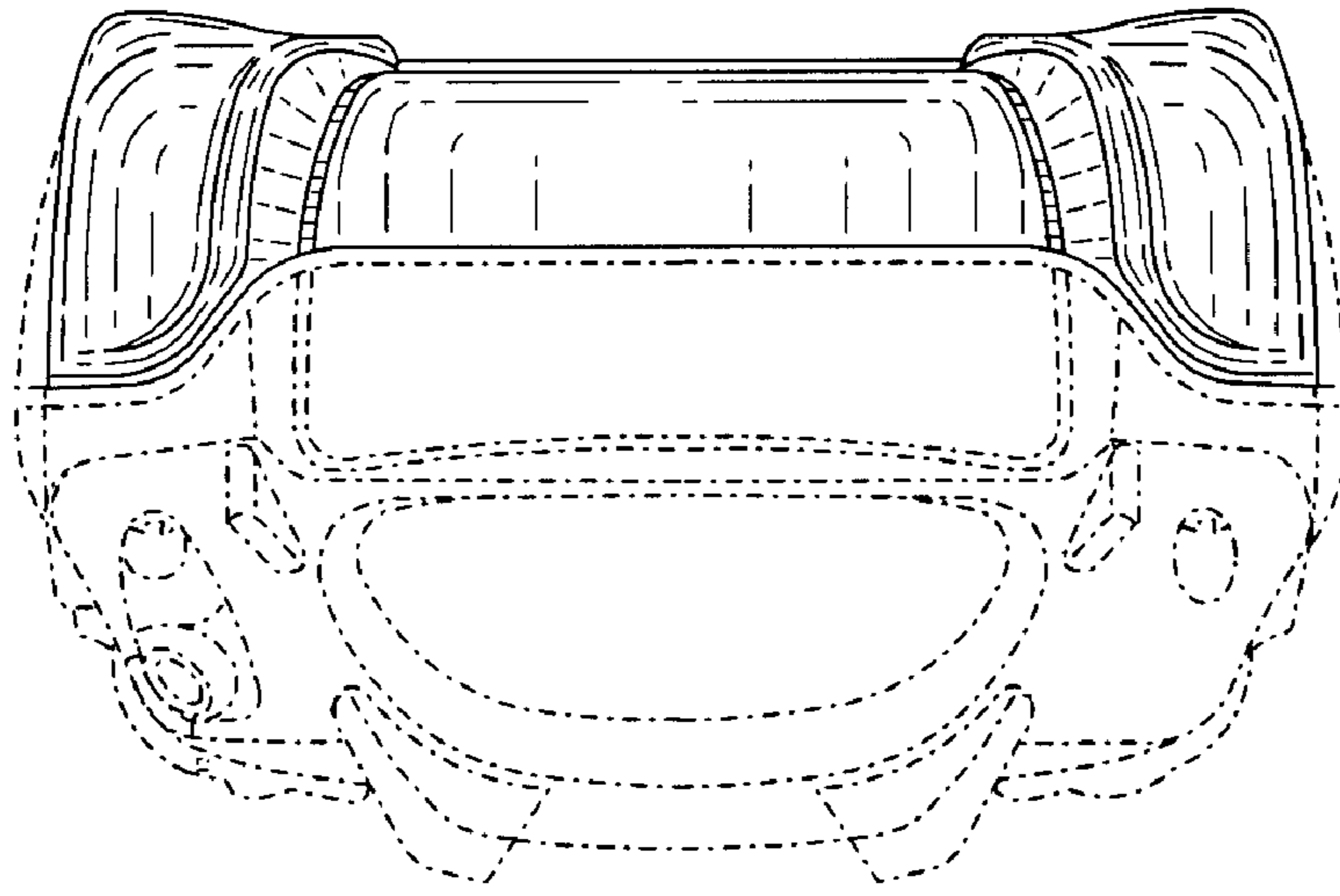


FIG. 1

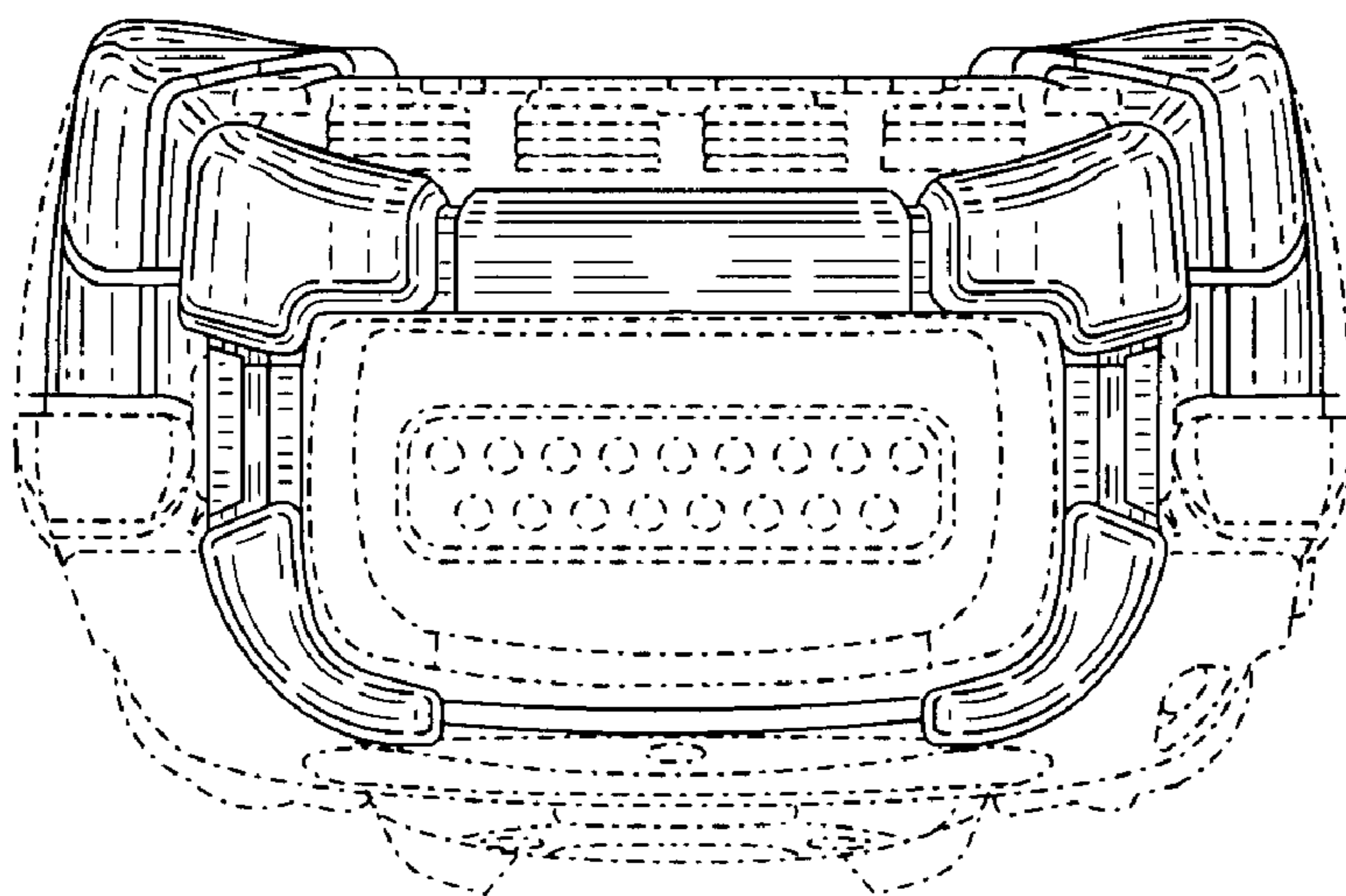


FIG. 2

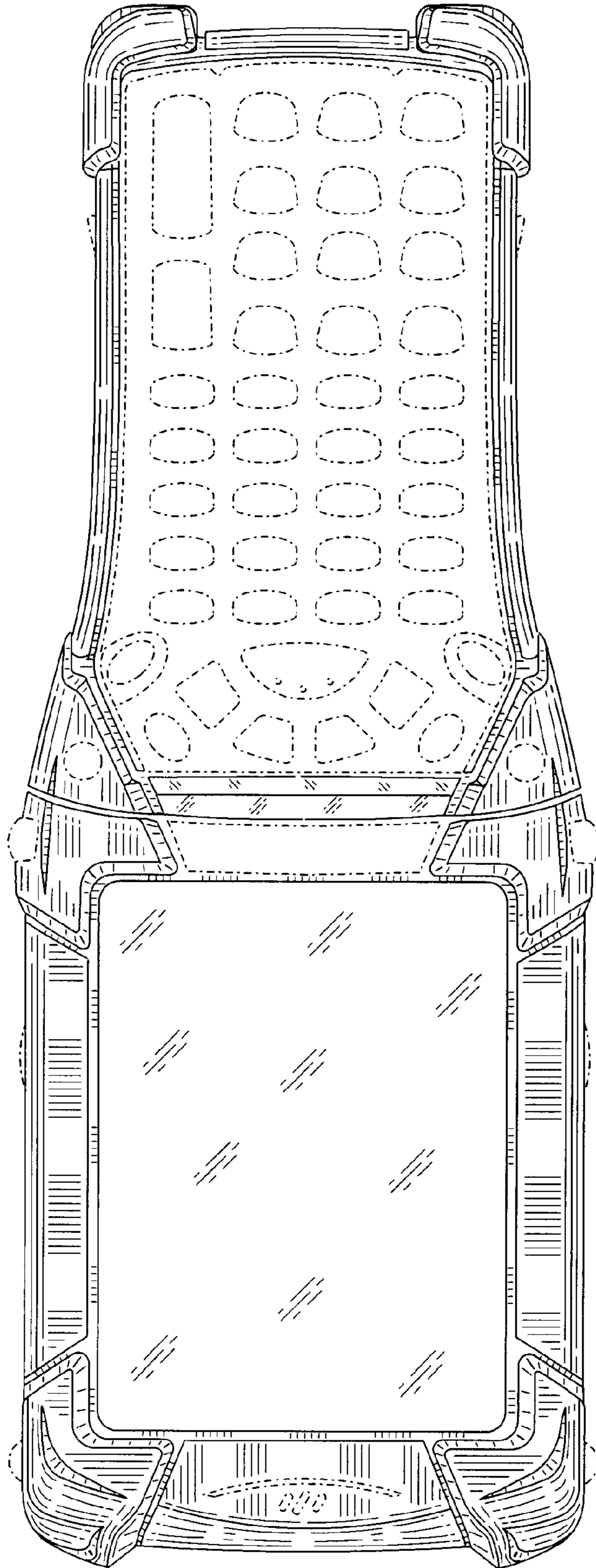


FIG. 3

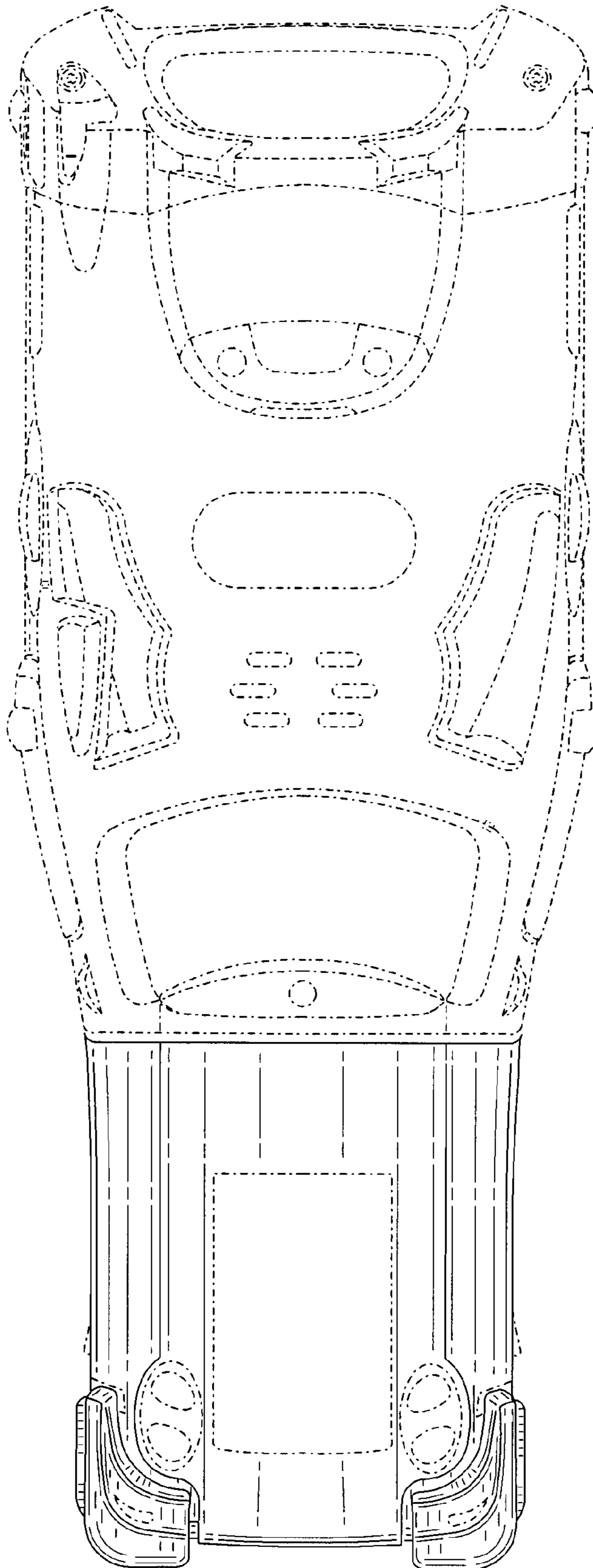


FIG. 4

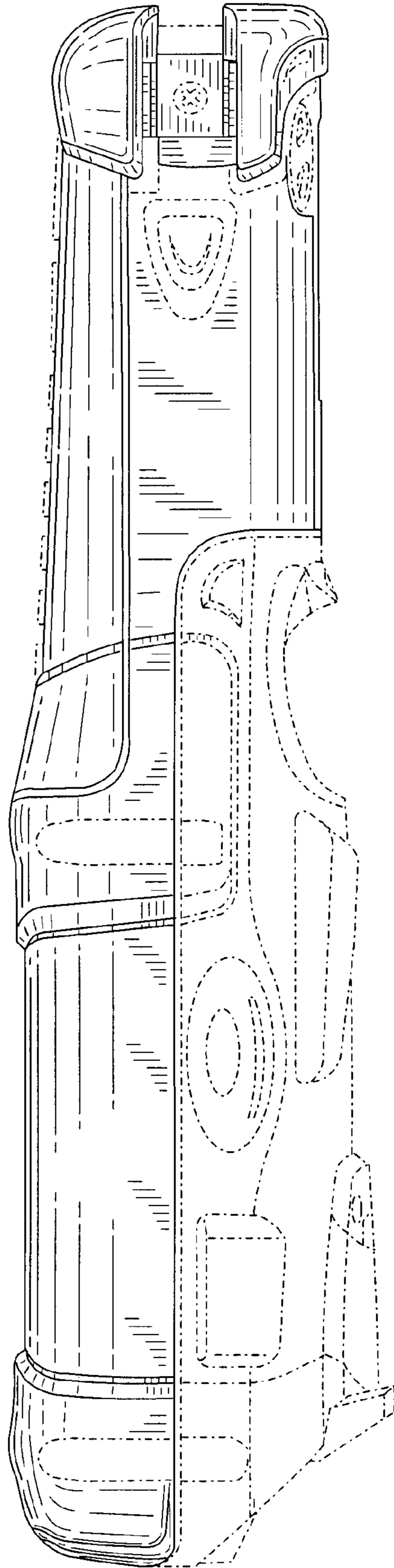


FIG. 5

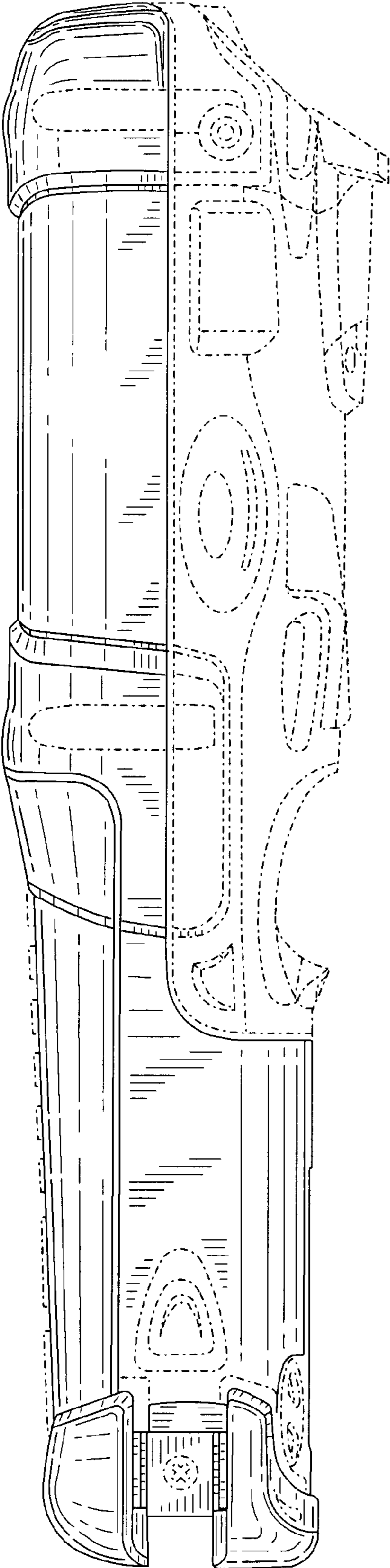


FIG. 6

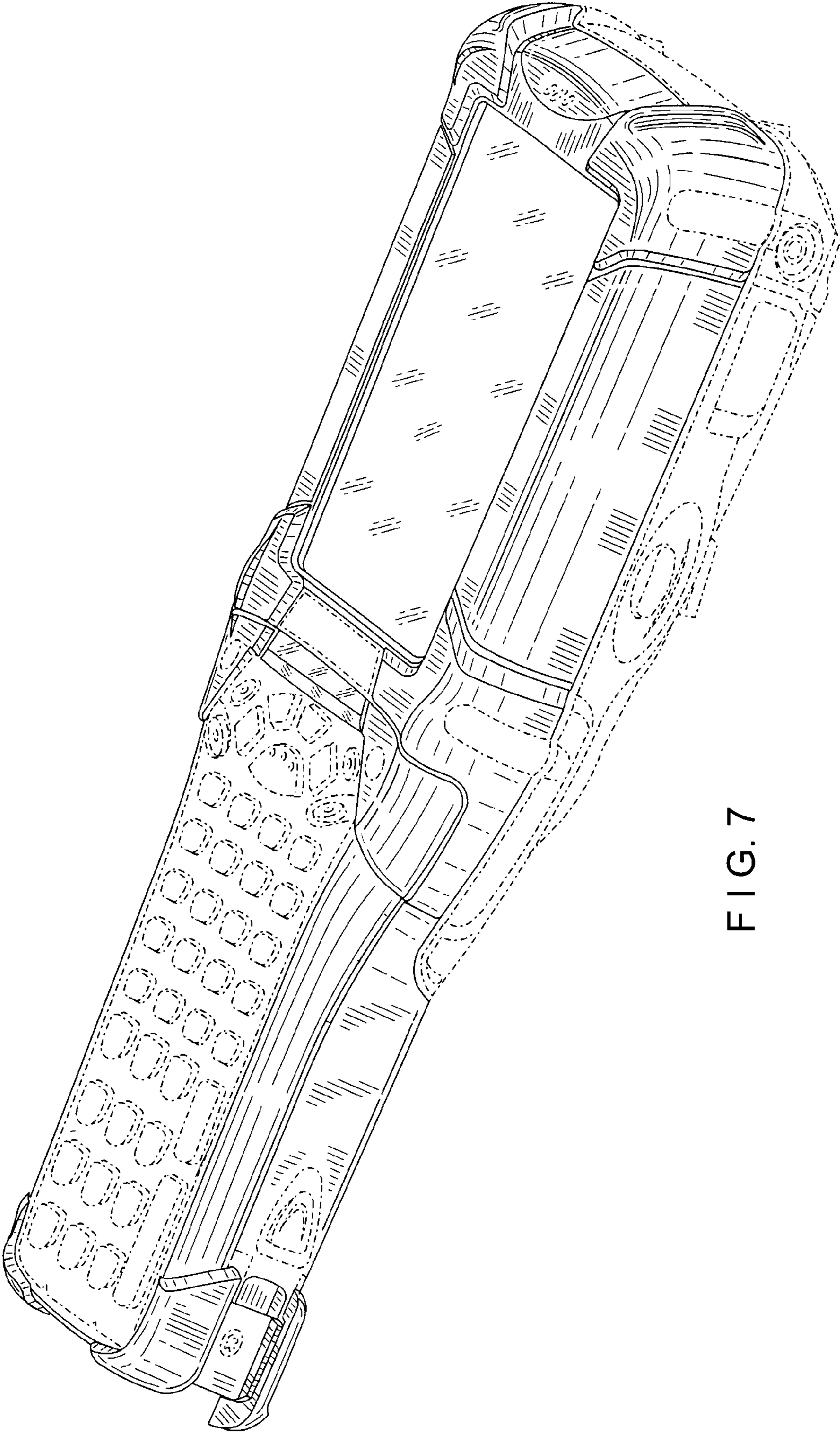


FIG. 7