



US00D538288S

(12) **United States Design Patent**
Hood

(10) **Patent No.:** **US D538,288 S**

(45) **Date of Patent:** **** Mar. 13, 2007**

(54) **ELECTRONIC MONITOR**

D529,455 S * 10/2006 Hoehn et al. D14/126

(76) Inventor: **Queen Hood**, 4803 E. Avenue R12,
Pomona, CA (US) 93552

OTHER PUBLICATIONS

Doggie 17" CRT Monitor Cover, copyright 2002–2003,
http://www.kid-computers.com/catalog/i_10026.shtml.
Kitty Cat 17" CRT Monitor Cover, copyright 2002–2003,
http://www.kid-computers.com/catalog/i_10027.shtml.*

(**) Term: **14 Years**

* cited by examiner

(21) Appl. No.: **29/235,458**

(22) Filed: **Aug. 1, 2005**

Primary Examiner—Alan P. Douglas

Assistant Examiner—Angela J. Lee

(51) **LOC (8) Cl.** **14-02**

(52) **U.S. Cl.** **D14/448**

(74) *Attorney, Agent, or Firm*—Denton L. Anderson;
Sheldon Mak Rose & Anderson PC

(58) **Field of Classification Search** D14/125–9,
D14/133, 141.2, 143, 336, 371–7, 380, 432,
D14/439, 447–452; D19/59–60; D21/515;
248/123.11, 276.1, 278.1, 280.11, 284.1,
248/421; 348/836; 361/681; 446/143, 227,
446/408, 476, 491; 385/137

(57) **CLAIM**

See application file for complete search history.

The ornamental design for electronic monitor, as shown and described.

DESCRIPTION

(56) **References Cited**

U.S. PATENT DOCUMENTS

5,072,998	A	*	12/1991	Oh	312/204
5,464,214	A	*	11/1995	Griffin	273/148 B
D397,336	S		8/1998	Woodworth		
D406,613	S	*	3/1999	Nakanishi	D21/329
D456,049	S		4/2002	Hood		
D469,764	S	*	2/2003	Liao	D14/371
D495,705	S	*	9/2004	Borsboom	D14/371
D497,885	S	*	11/2004	Esslinger et al.	D14/126
D511,345	S	*	11/2005	Heatherly et al.	D14/371
D519,088	S	*	4/2006	Lin	D14/126
D526,284	S	*	8/2006	Lin	D14/126

FIG. 1 is a perspective view illustrating the electronic monitor of the invention;

FIG. 2 is a left side view of the electronic monitor illustrated in FIG. 1;

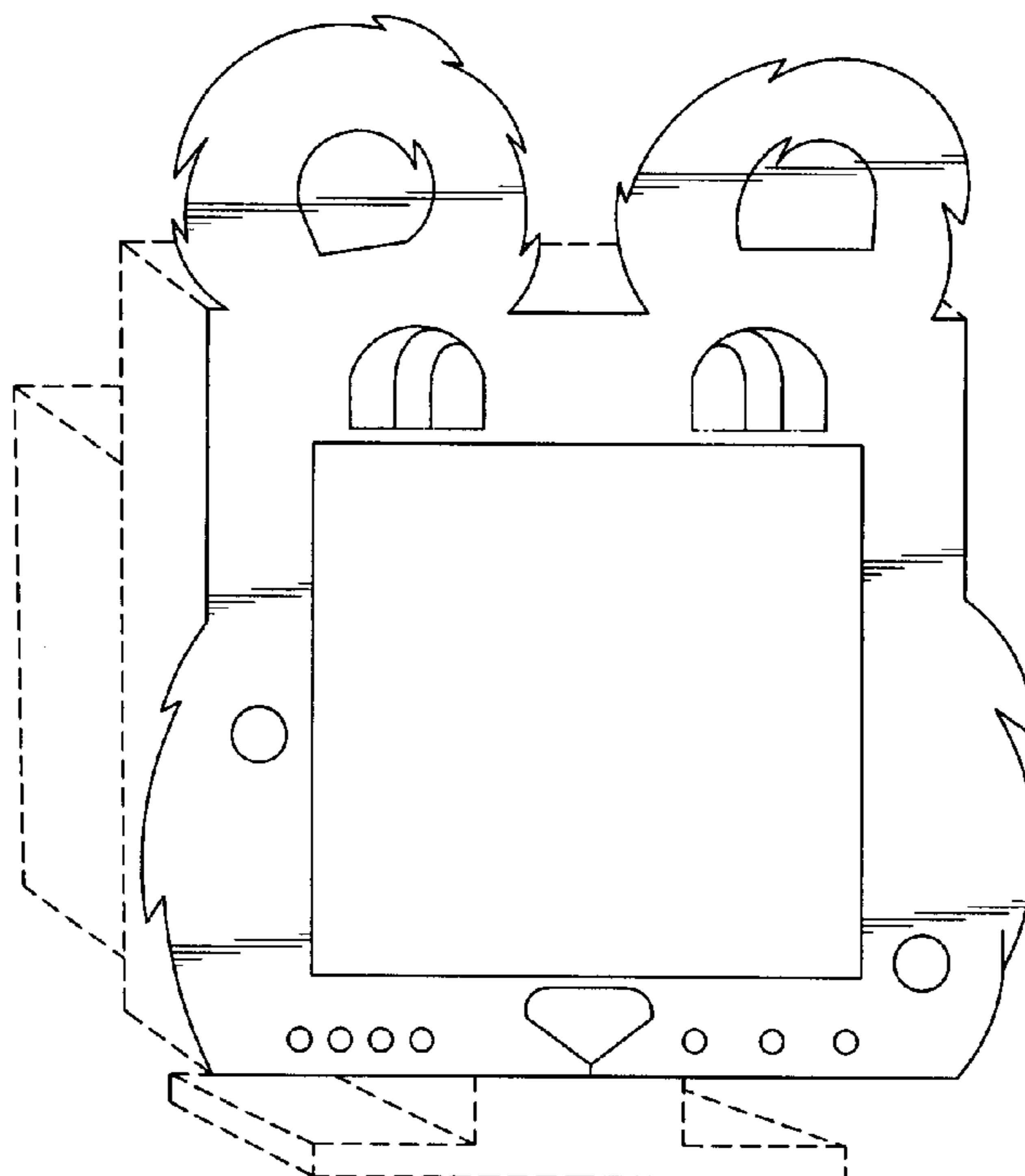
FIG. 3 is a right side view of the electronic monitor illustrated in FIG. 1;

FIG. 4 is a plan view of the electronic monitor illustrated in FIG. 1;

FIG. 5 is a bottom view of the electronic monitor illustrated in FIG. 1; and,

FIG. 6 is a rear view of the electronic monitor illustrated in FIG. 1.

1 Claim, 3 Drawing Sheets



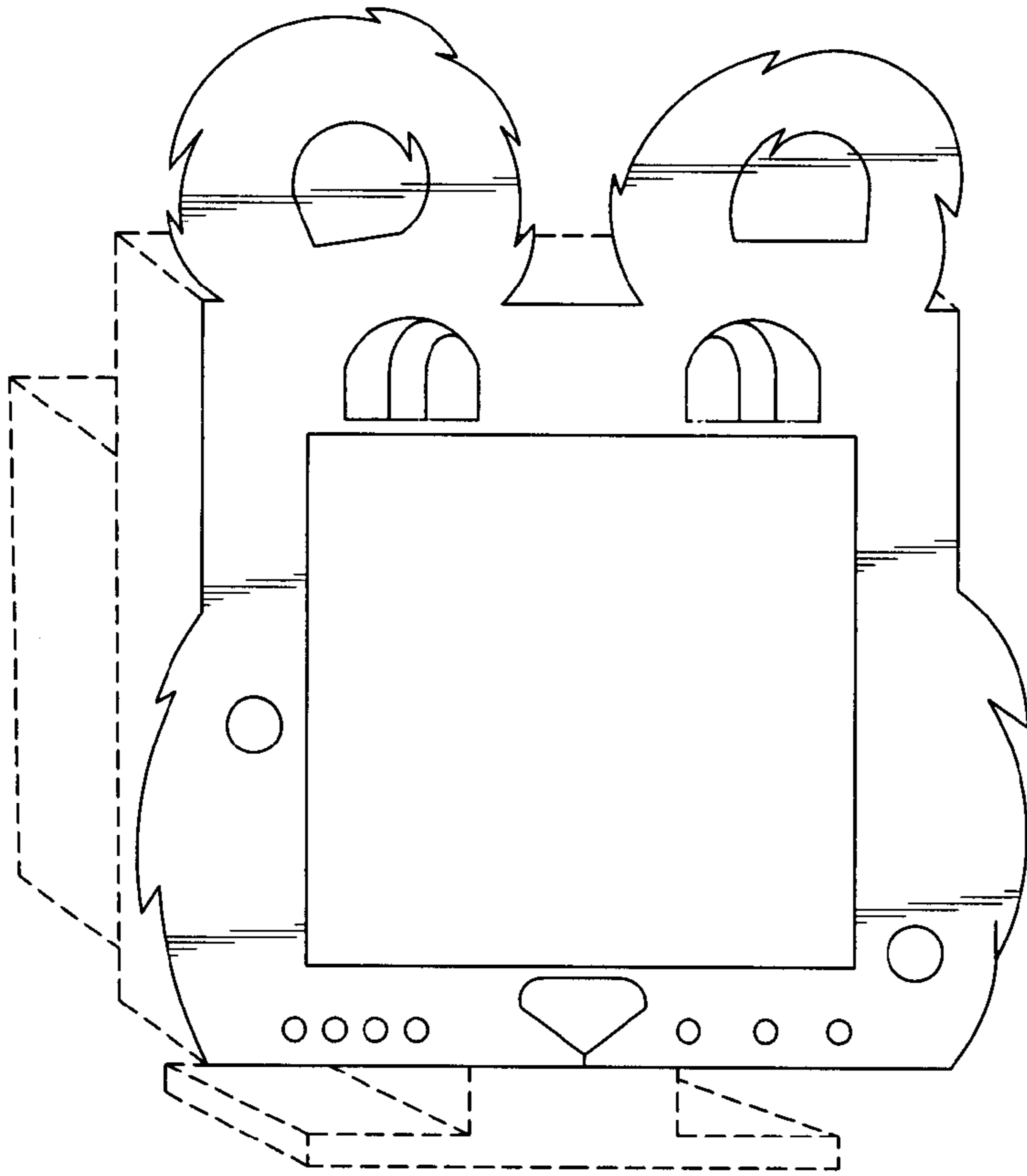
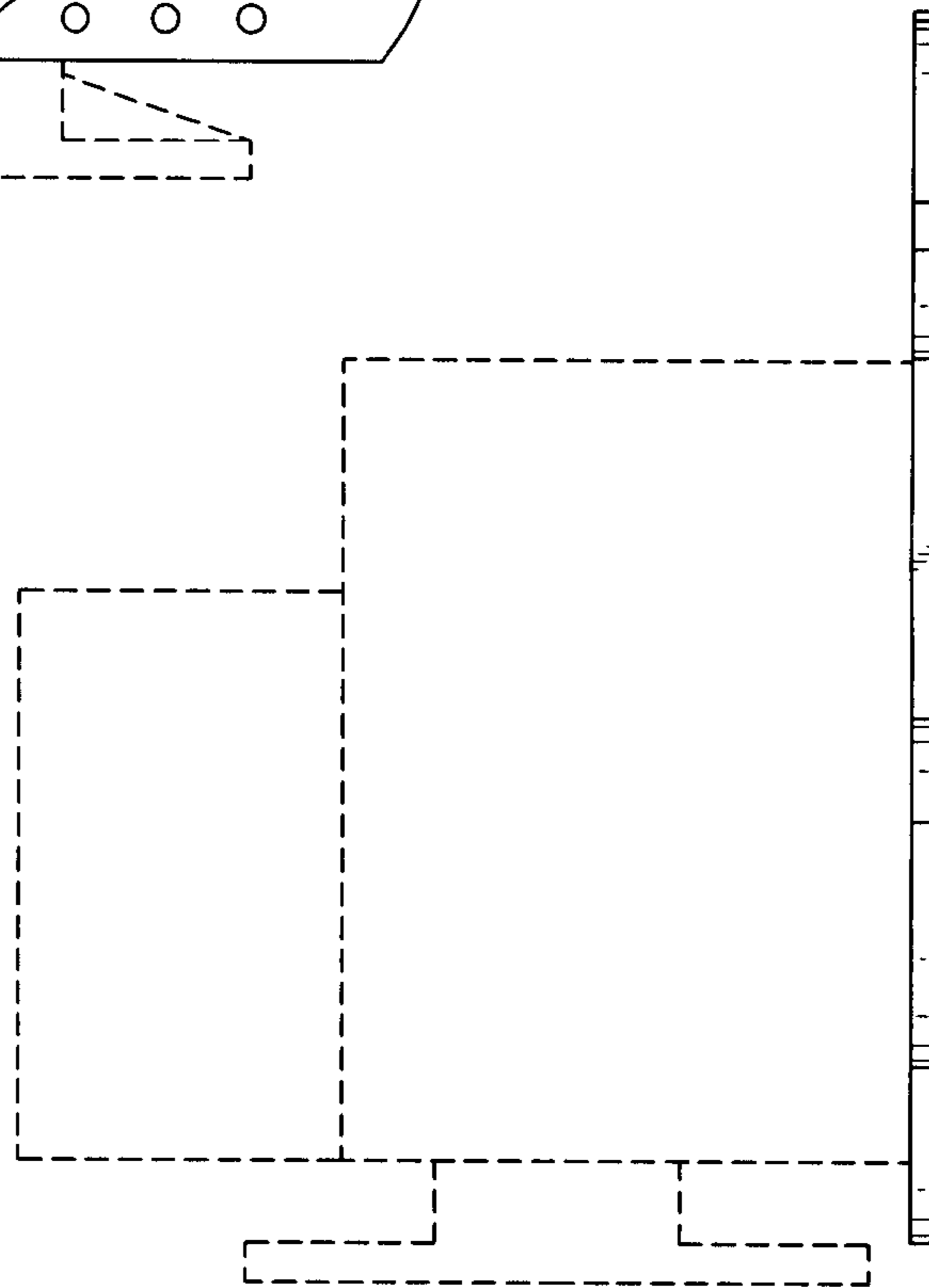


FIG. 1

FIG. 2



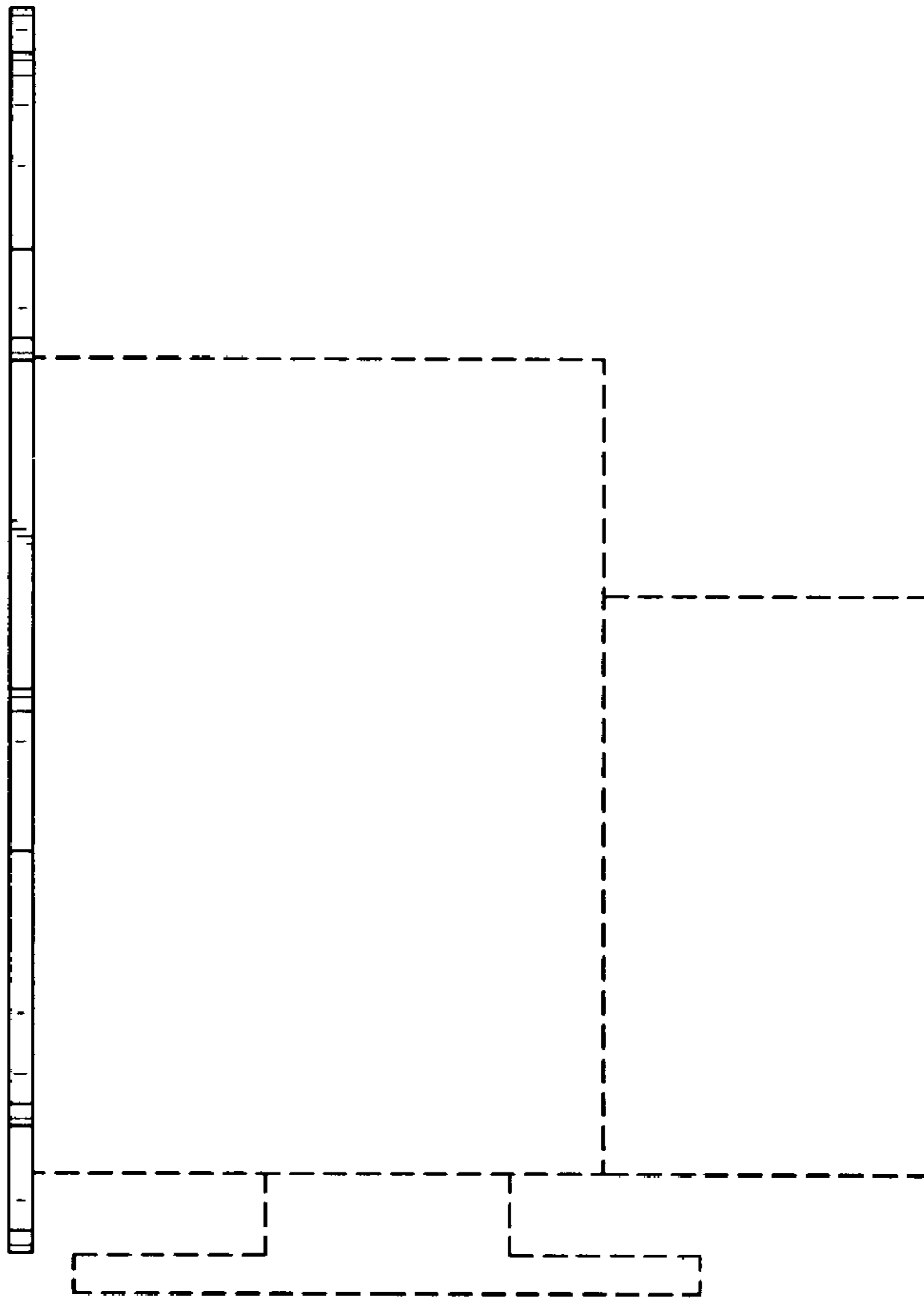


FIG. 3

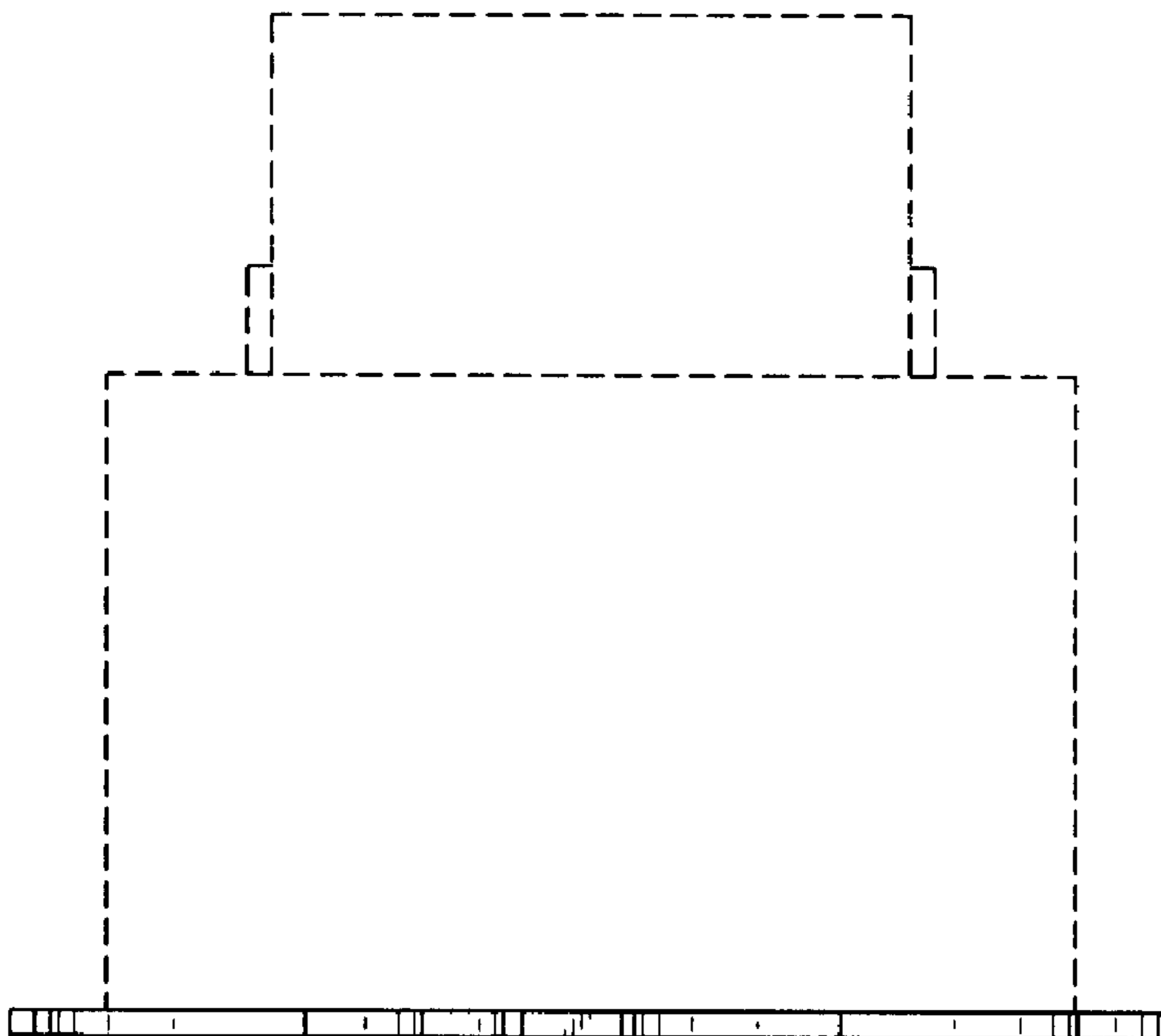


FIG. 4

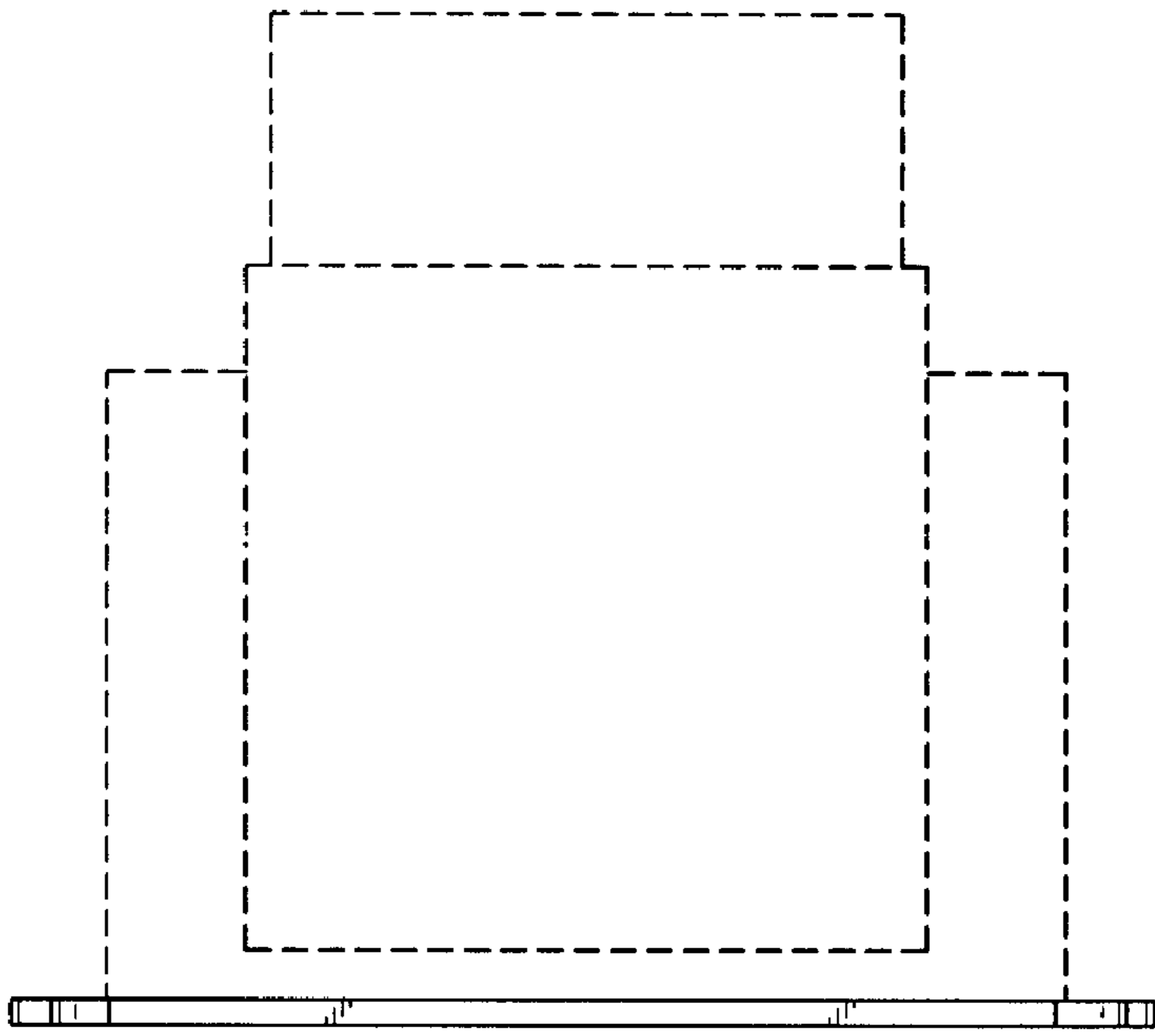


FIG. 5

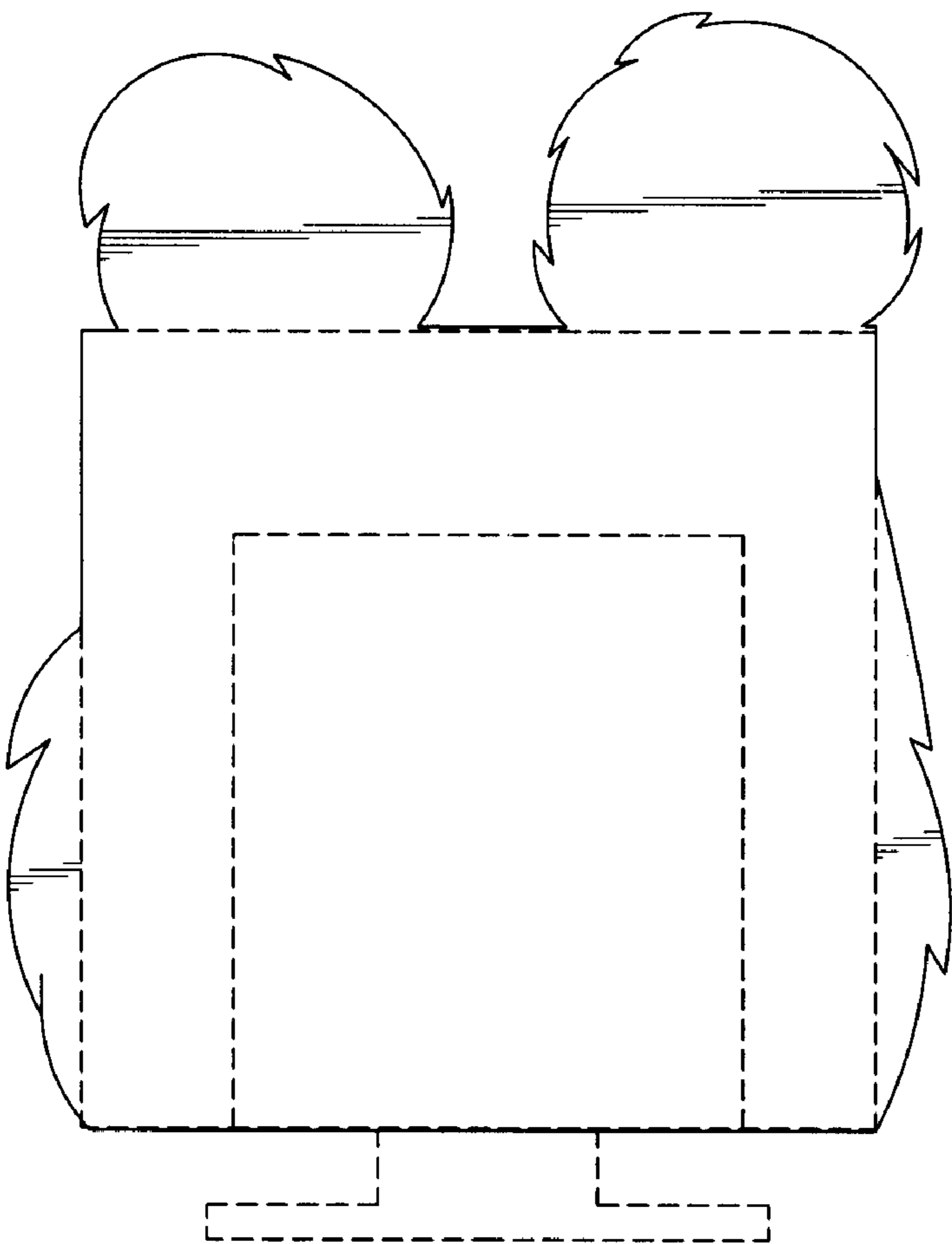


FIG. 6