



US00D538281S

(12) **United States Design Patent**
Gambaro

(10) **Patent No.:** **US D538,281 S**

(45) **Date of Patent:** **** Mar. 13, 2007**

(54) **TWO-THUMB KEYBOARD DEVICE**

FOREIGN PATENT DOCUMENTS

(76) Inventor: **Thom Gambaro**, P.O. Box 14741,
Portland, OR (US) 97293-0741

DE 2725677 12/1977
WO WO 94/12999 6/1994

(**) Term: **14 Years**

OTHER PUBLICATIONS

(21) Appl. No.: **29/223,189**

“A Rival to QWERTY,” British Printer, Sep. 1977.
D.L. Conway, “Contoured Keyboard,” I.B.M. Technical
Disclosure Bulletin, Aug. 1979, vol. 22, No. 3.

(22) Filed: **Feb. 9, 2005**

(Continued)

Related U.S. Application Data

Primary Examiner—Freda S. Nunn

(63) Continuation-in-part of application No. 29/177,348, filed on
Mar. 6, 2003, now Pat. No. Des. 502,180.

(57) **CLAIM**

(51) **LOC (8) Cl.** **14-02**

I claim the ornamental design for a two-thumb keyboard
device, as shown and described.

(52) **U.S. Cl.** **D14/391**

(58) **Field of Classification Search** 439/165;
D14/341–345, 392, 333, 396, 398; D18/1,
D18/2, 7; 178/17 A, 17 C; 200/5 A, 5 R,
200/6 A, 6 R; 235/145 A, 145 R; 345/161,
345/168; 341/22, 23; 400/489

DESCRIPTION

See application file for complete search history.

FIG. 1 is an isometric view of a two-thumb keyboard device;
FIG. 2 is a bottom isometric view of the two-thumb key-
board device of FIG. 1 showing the keys arranged for use by
the digits of the hands for data entry;
FIG. 3 is a top view of the two-thumb keyboard device of
FIG. 1 and FIG. 2 showing the left and right thumb keyboard
portions;

(56) **References Cited**

U.S. PATENT DOCUMENTS

2,369,807 A	2/1945	Solon
3,022,878 A	2/1962	Seibel et al.
3,428,747 A	2/1969	Alferieff
4,020,527 A	5/1977	O'Neill
4,065,650 A	12/1977	Lou
D258,061 S	1/1981	Foreman
4,244,659 A	1/1981	Malt
4,332,493 A	6/1982	Einbinder
4,360,892 A	11/1982	Endfield
4,442,506 A	4/1984	Endfield
4,517,424 A	5/1985	Kroczyński
4,579,470 A	4/1986	Casey
4,584,443 A	4/1986	Yaeger

FIG. 4 is a bottom view of the two-thumb keyboard device
of FIG. 1 and FIG. 2 showing the keys arranged for use by
the first and second digits of the left and right hands for data
entry;

FIG. 5 is a top end view of the two-thumb keyboard device
of FIG. 1 and FIG. 2;

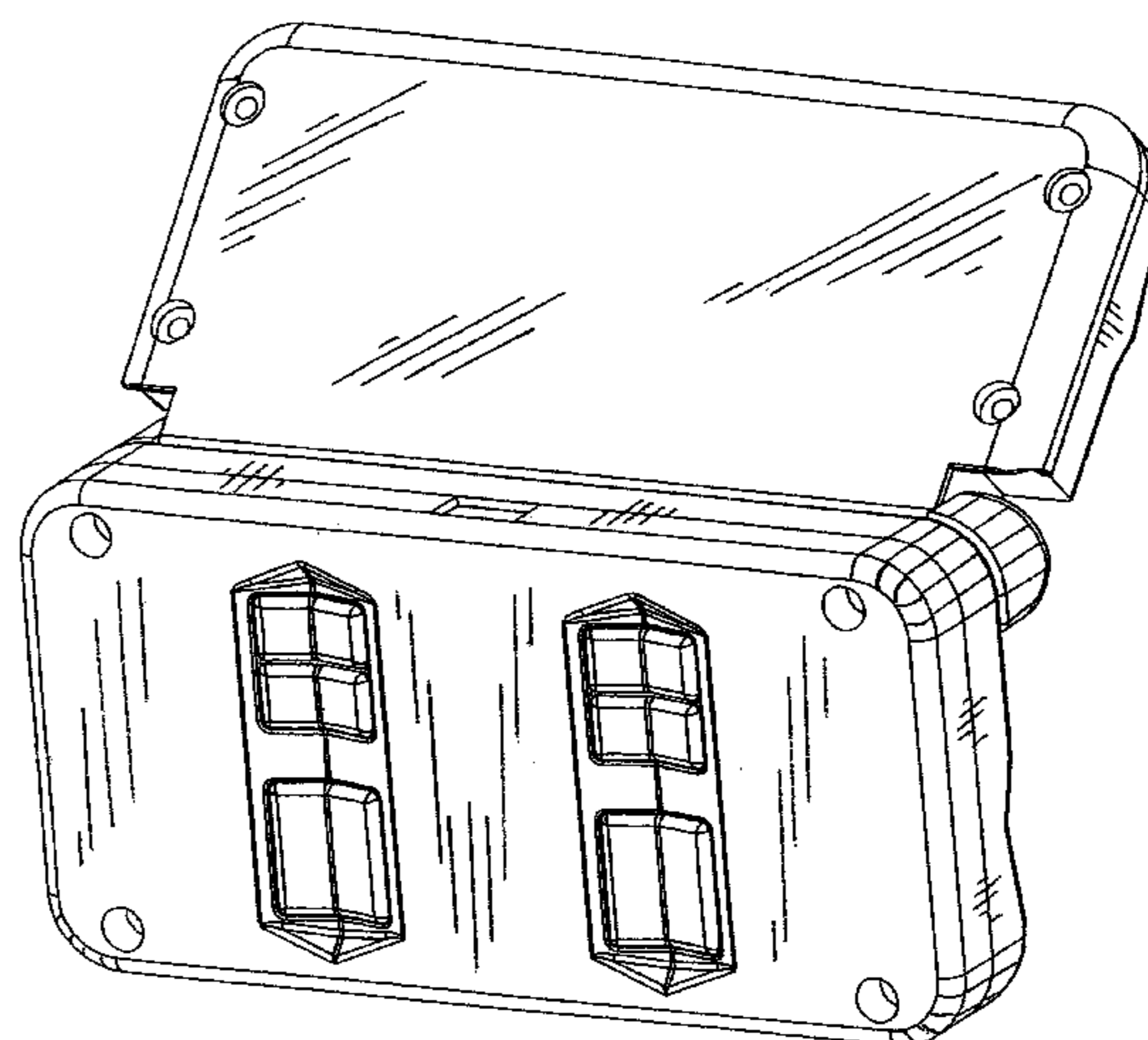
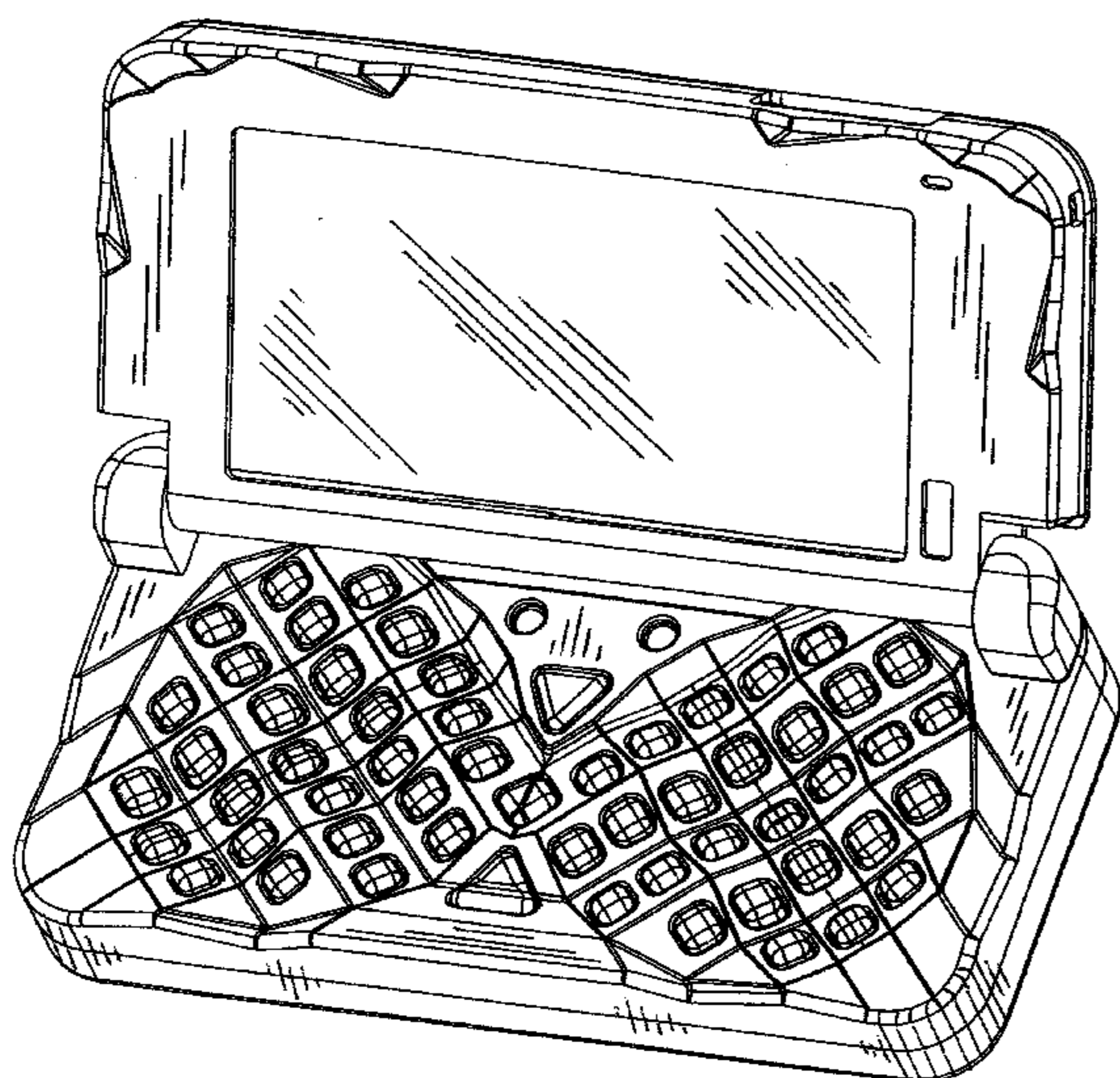
FIG. 6 is a left side view of the two-thumb keyboard device
of FIG. 1 and FIG. 2;

FIG. 7 is a right side view of the two-thumb keyboard device
of FIG. 1 and FIG. 2; and,

FIG. 8 is a bottom end view of the two-thumb keyboard
device of FIG. 1 and FIG. 2.

(Continued)

1 Claim, 5 Drawing Sheets



US D538,281 S

Page 2

U.S. PATENT DOCUMENTS

4,597,681	A	7/1986	Hodges		
D285,200	S	8/1986	Bressler et al.		
4,687,200	A	8/1987	Shirai		
4,787,051	A	11/1988	Olson		
4,791,408	A	12/1988	Heusinkveld		
4,824,268	A	4/1989	Diernisse H. V.		
4,849,732	A	7/1989	Dolenc		
4,861,269	A	8/1989	Meenen, Jr.		
4,913,573	A	4/1990	Retter		
D310,543	S	* 9/1990	Brown	D14/345
5,119,078	A	6/1992	Grant		
5,178,477	A	* 1/1993	Gambaro	400/489
5,267,181	A	11/1993	George		
D347,423	S	5/1994	Conway		
5,332,322	A	7/1994	Gambaro		
5,339,097	A	8/1994	Grant		
5,361,083	A	11/1994	Pollack		
5,410,333	A	4/1995	Conway		
D357,911	S	5/1995	Grant et al.		
5,416,498	A	5/1995	Grant		
5,503,484	A	* 4/1996	Louis	400/489
D370,669	S	6/1996	Hargreaves et al.		
5,610,602	A	3/1997	Hargreaves		
5,613,786	A	* 3/1997	Howell et al.	400/489
5,673,040	A	9/1997	Hargreaves et al.		
5,827,082	A	10/1998	Laine		
D405,071	S	2/1999	Gambaro		
D434,758	S	* 12/2000	DiPippo	D14/333
D434,767	S	* 12/2000	Elkins et al.	D14/396
D462,681	S	* 9/2002	Yoon	D14/396
6,698,952	B1	3/2004	Goddard		

OTHER PUBLICATIONS

A. Uchiyama, "Kana Keyboard with Palm Rest," I.B.M. Technical Disclosure Bulletin, Feb. 1983, vol. 25, No. 9.
P.J. Kennedy, "Hand-Held Data Input Device," I.B.M. Technical Disclosure Bulletin, Apr. 1984, vol. 26, No. 11.
Harris Corp., "Introducing the Only Test Set with a Built-in Amplified Speaker," Telephony, May 11, 1987, p. 97.
"Telecommunication" article from technical journal (publisher, publication, and date unknown).

* cited by examiner

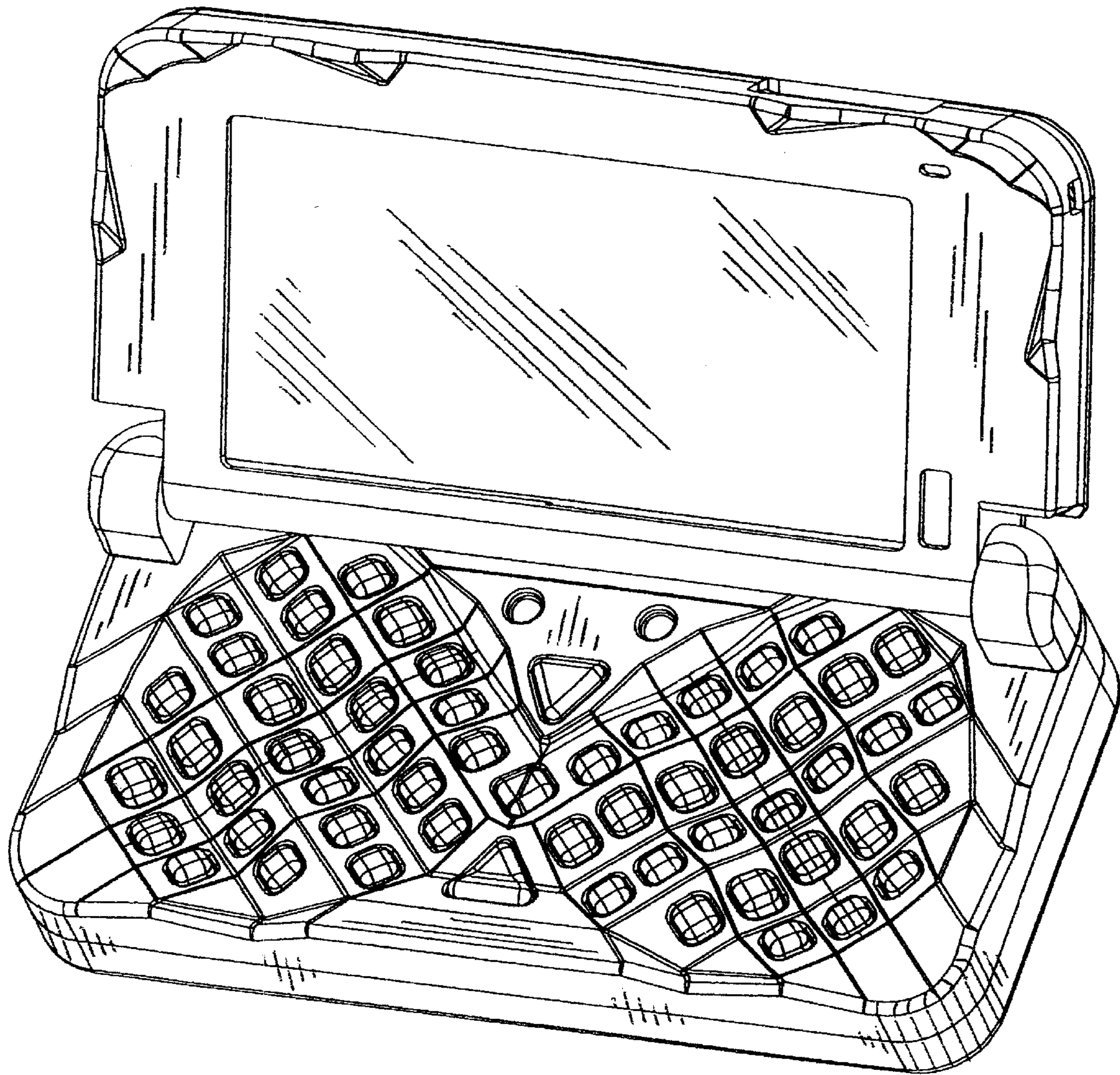


FIG. 1

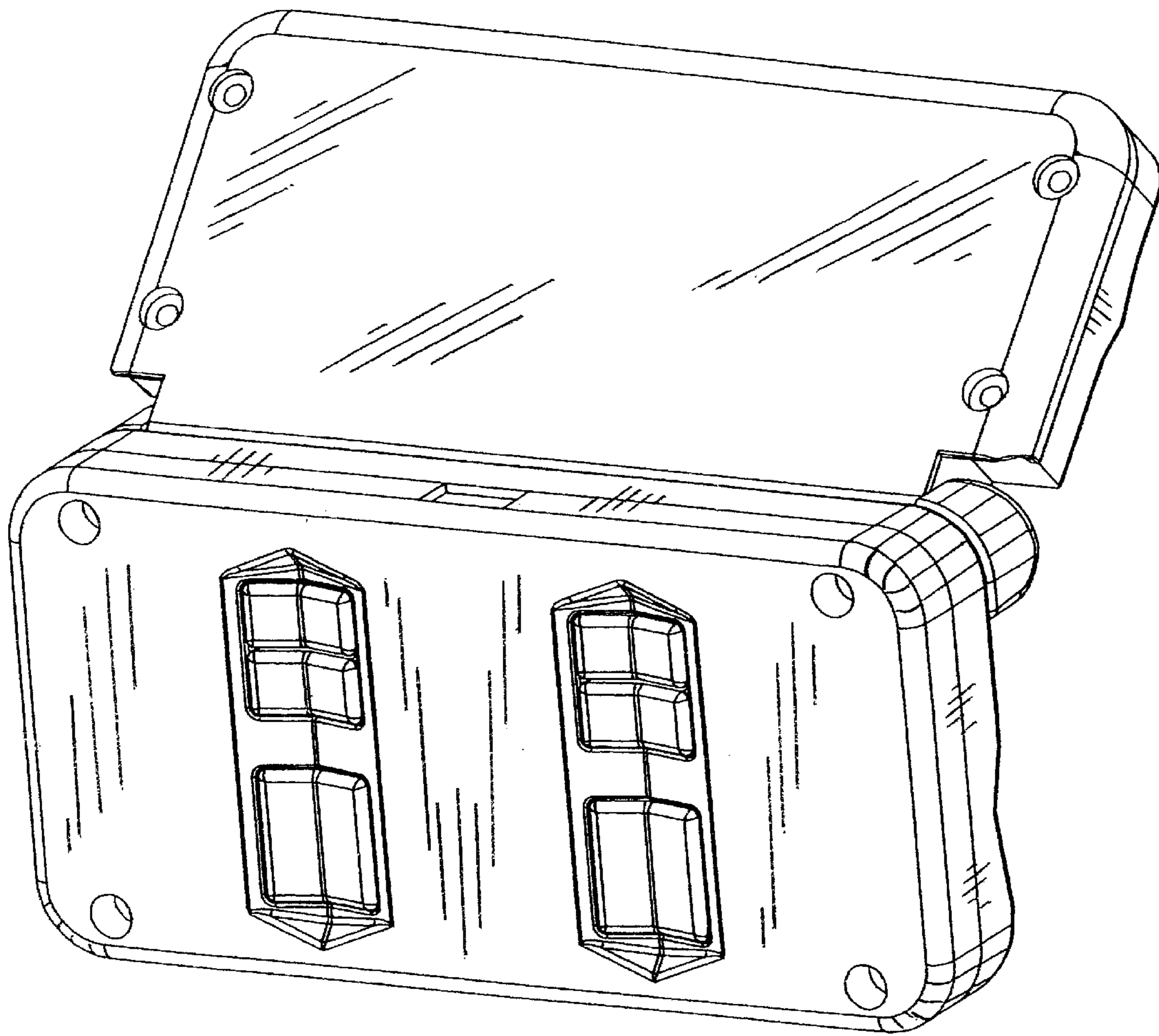


FIG. 2

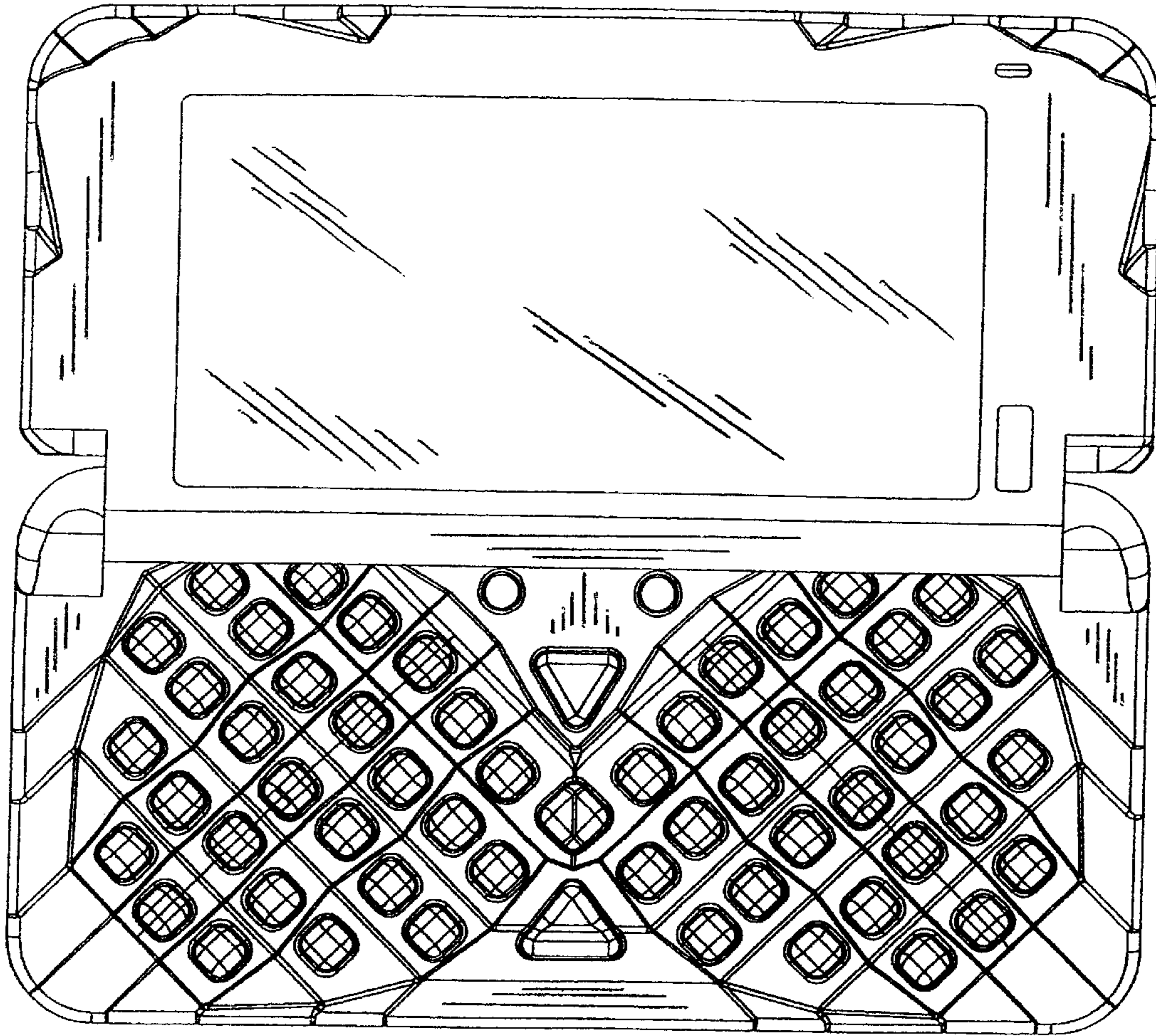


FIG. 3

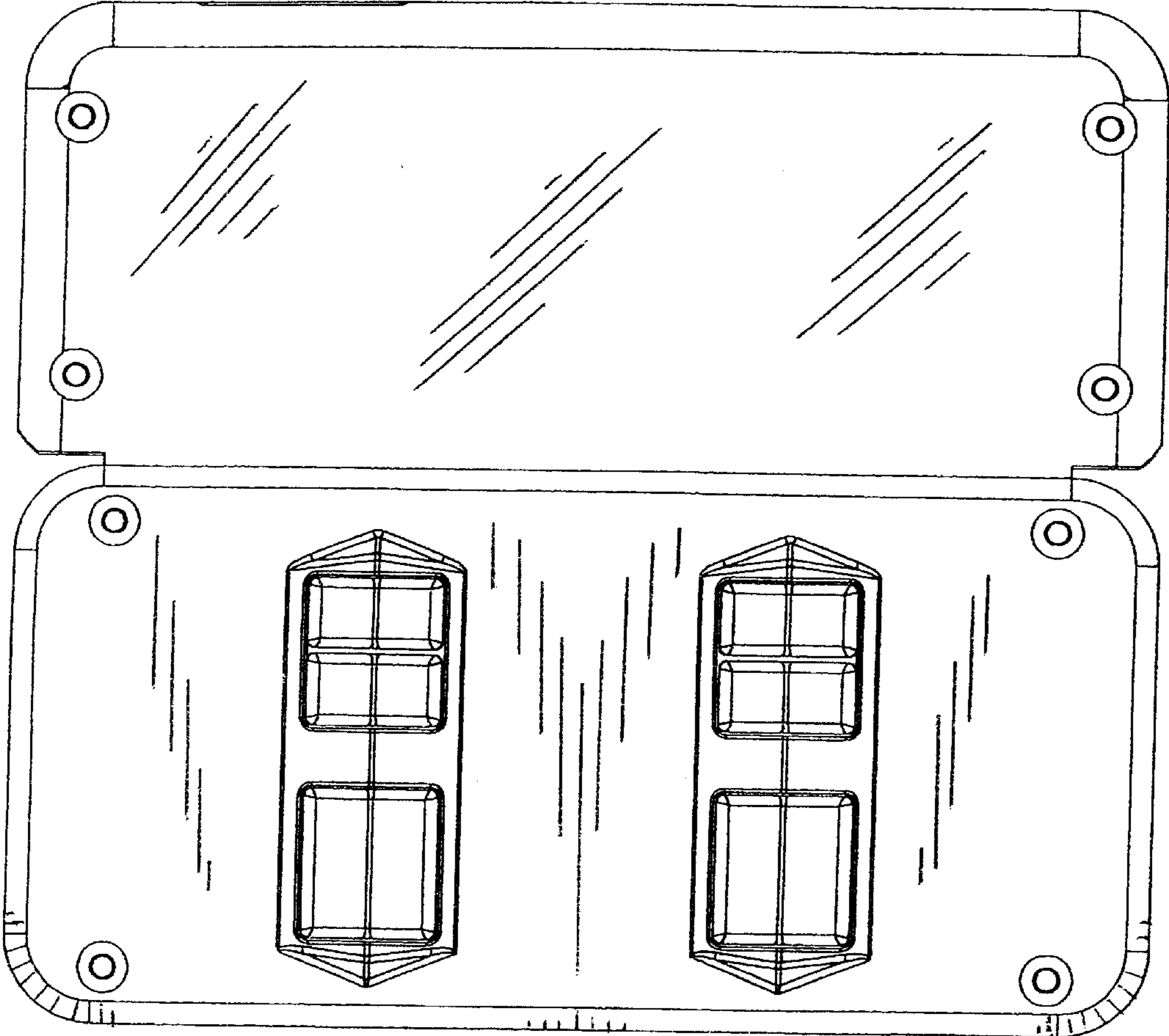


FIG. 4

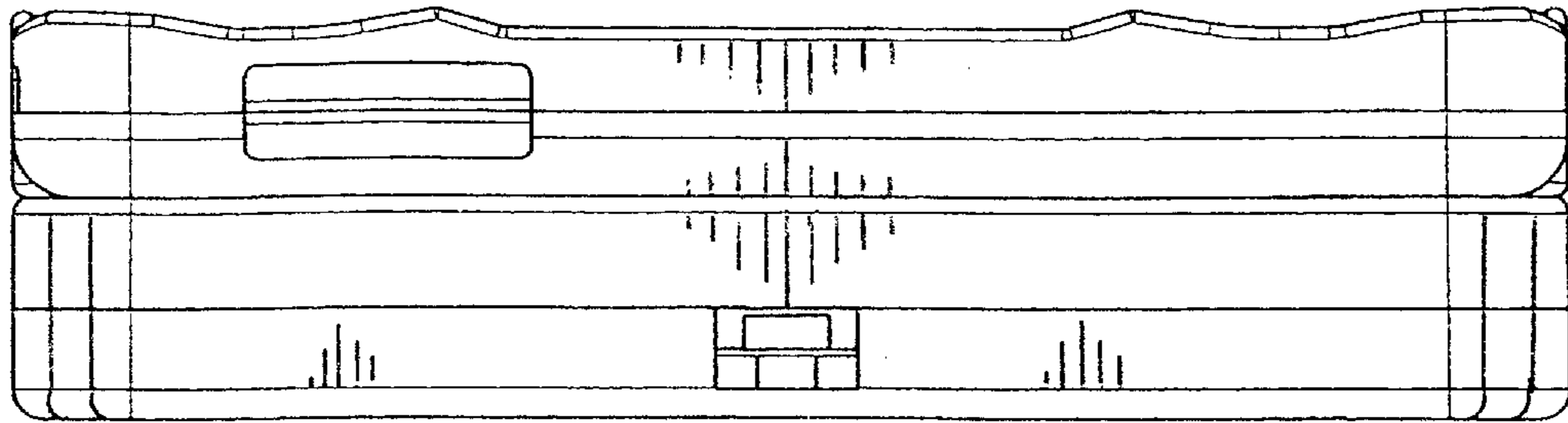


FIG. 5

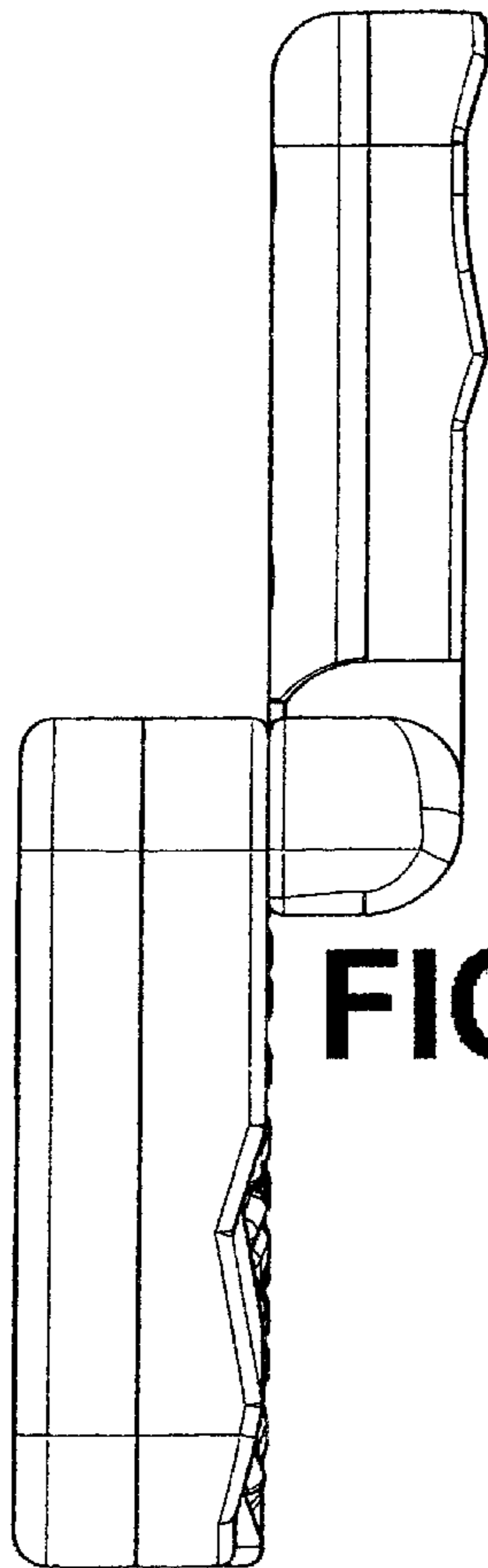


FIG. 6

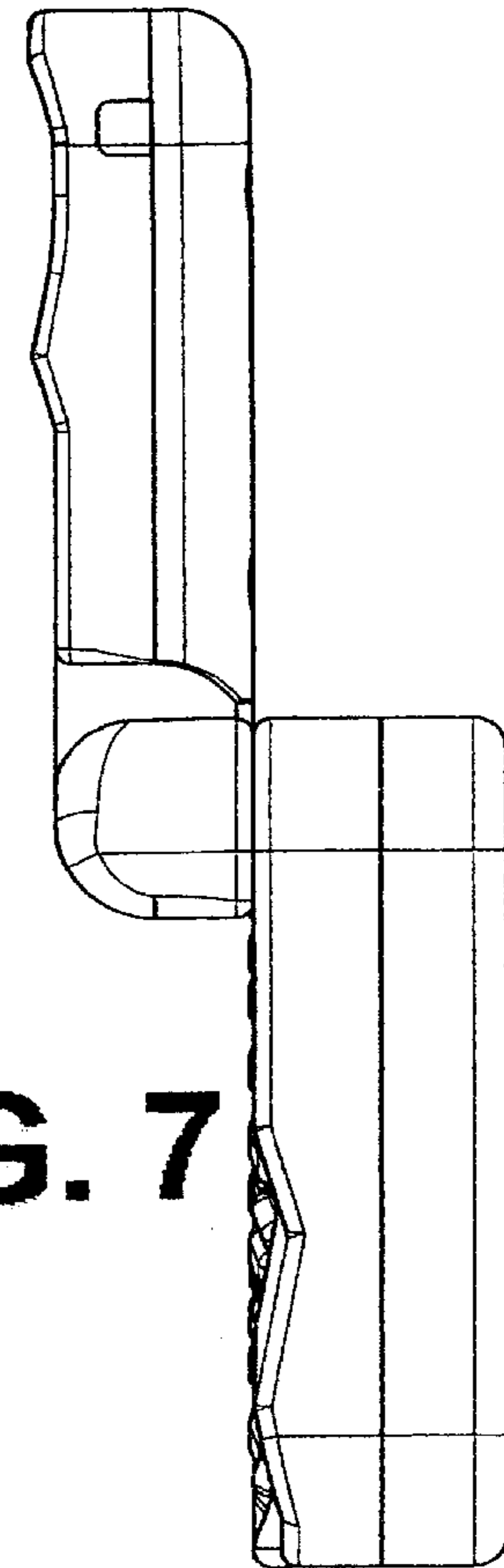


FIG. 7

FIG. 8

