

US00D538276S

(12) **United States Design Patent**
Wang

(10) **Patent No.:** **US D538,276 S**
(45) **Date of Patent:** **** Mar. 13, 2007**

(54) **KEYPAD FOR MOBILE PHONE**
(75) Inventor: **Li-Yen Wang**, Taipei (TW)
(73) Assignee: **ASUSTeK Computer Inc.**, Taipei (TW)
(**) Term: **14 Years**

D508,902 S * 8/2005 Lee et al. D14/138
D511,771 S * 11/2005 Burns et al. D14/247
D518,459 S * 4/2006 Nakajima D14/138
D519,095 S * 4/2006 Eguchi D14/138
D521,480 S * 5/2006 Ou et al. D14/138
D524,277 S * 7/2006 Surtouc D14/138
2004/0203535 A1 * 10/2004 Kim et al. 455/90.3

* cited by examiner

(21) Appl. No.: **29/225,756**
(22) Filed: **Mar. 18, 2005**
(30) **Foreign Application Priority Data**

Primary Examiner—Ian Simmons
Assistant Examiner—Carla Jobe Wright
(74) *Attorney, Agent, or Firm*—Thomas, Kayden
Horstemeyer & Risley

Feb. 5, 2005 (TW) 94300774
(51) **LOC (8) Cl.** **14-03**
(52) **U.S. Cl.** **D14/247**
(58) **Field of Classification Search** D14/137–138,
D14/147–148, 247–248, 144, 218, 341–347,
D14/455–456, 240, 399, 338–339, 390; 379/433.01–433.13,
379/434; 455/575.1, 566; D21/517, 329,
D21/331; 345/169

(57) **CLAIM**

The ornamental design for a keypad for mobile phone, as shown and described.

See application file for complete search history.

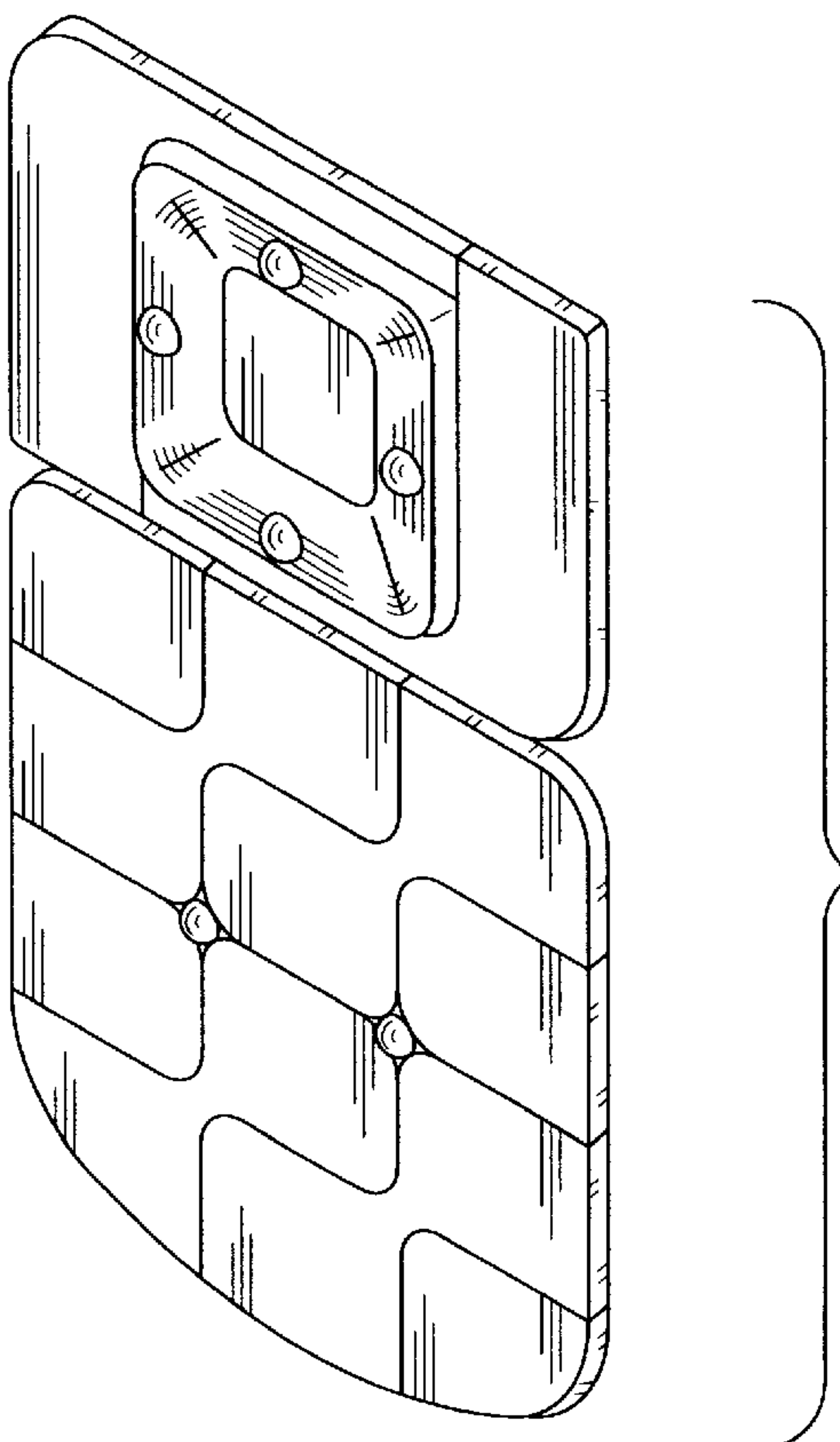
DESCRIPTION

FIG. 1 is a perspective view of a keypad for mobile phone showing my new design;
FIG. 2 is a front a plan view thereof;
FIG. 3 is a rear view thereof;
FIG. 4 is a right side view thereof;
FIG. 5 is a left side view thereof;
FIG. 6 is a top plan view thereof; and,
FIG. 7 is a bottom plan view thereof.

(56) **References Cited**
U.S. PATENT DOCUMENTS

D492,674 S * 7/2004 Widiaman et al. D14/247
D508,035 S * 8/2005 Kim et al. D14/138
D508,475 S * 8/2005 Wu et al. D14/138

1 Claim, 4 Drawing Sheets



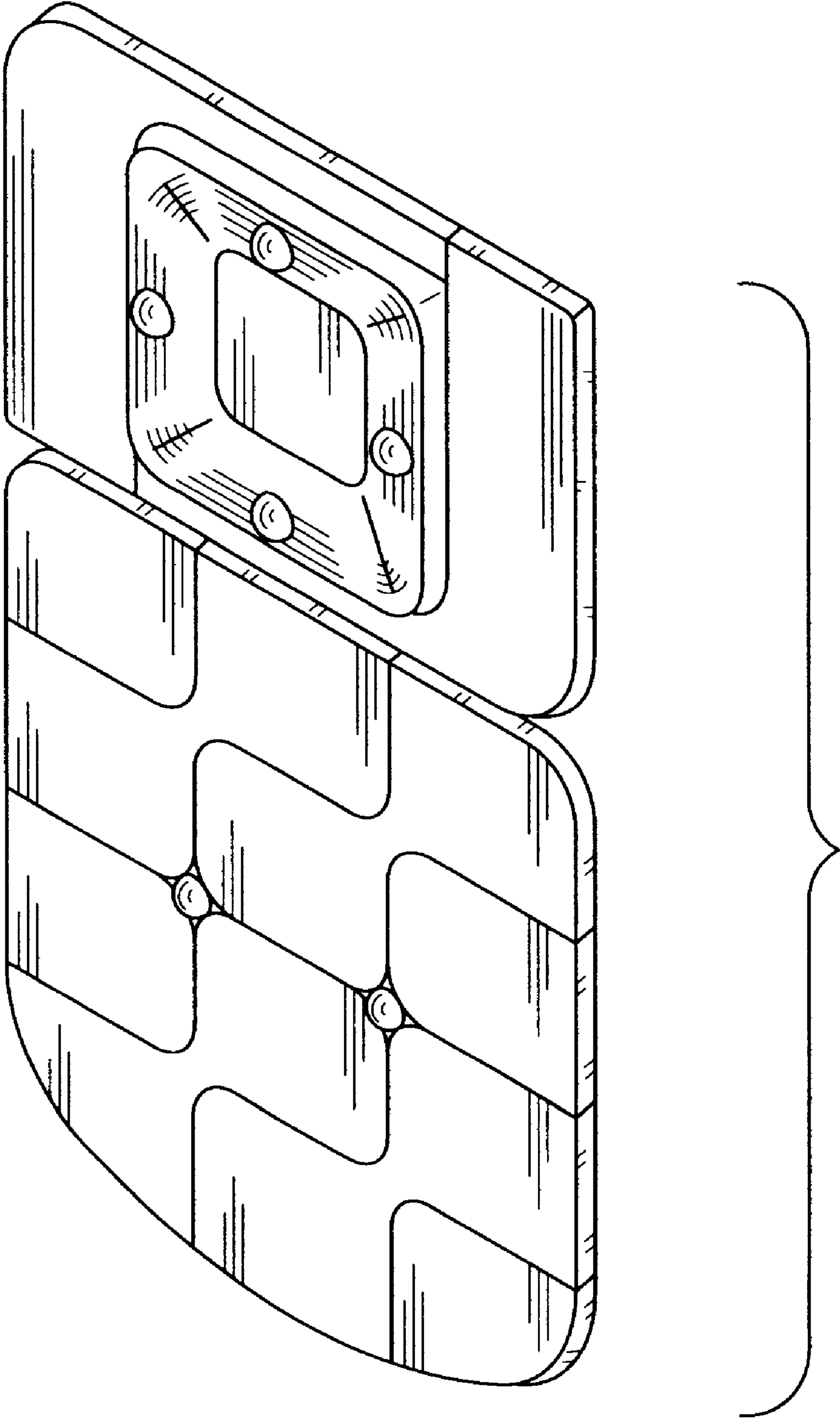


FIG. 1

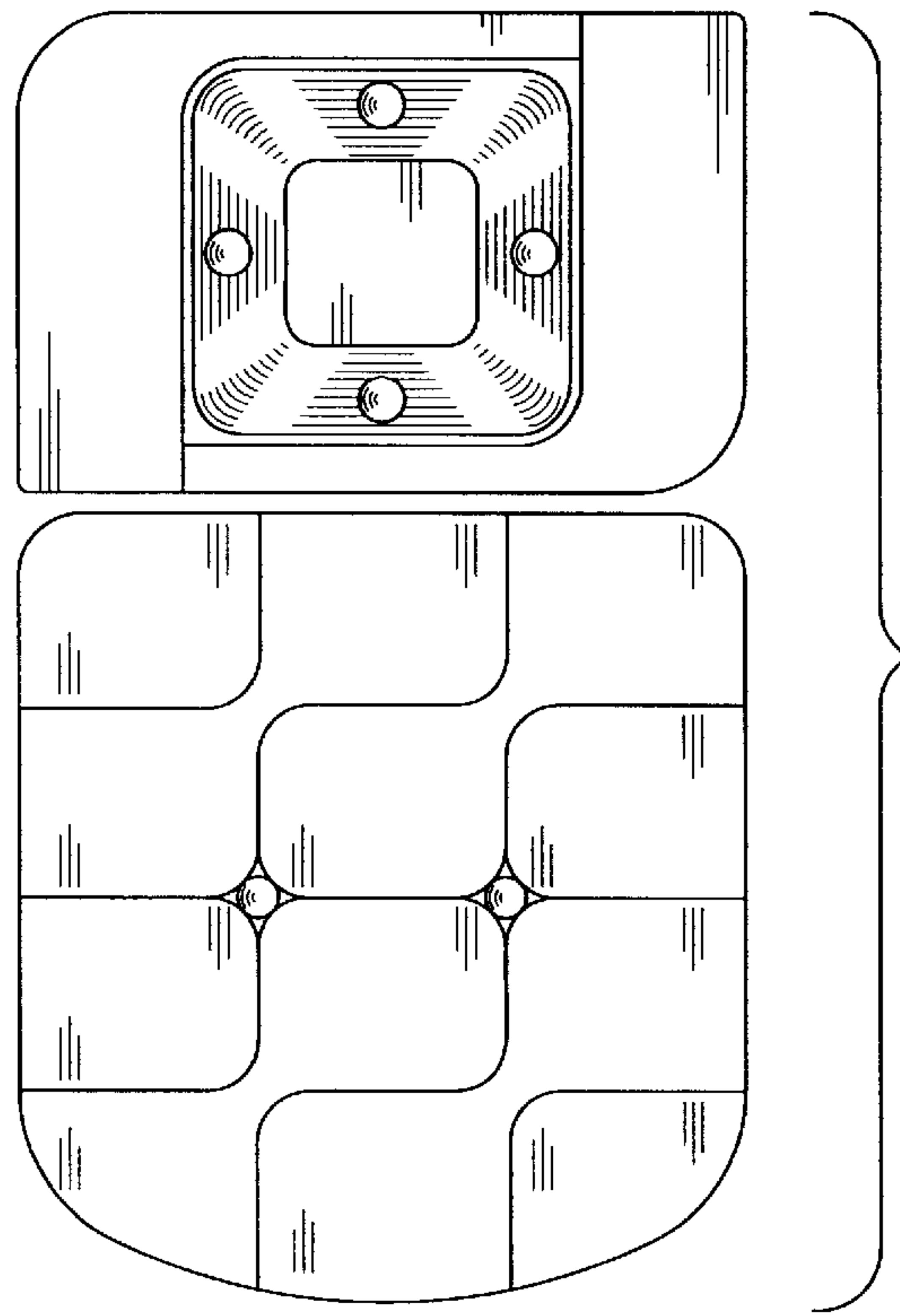


FIG. 2

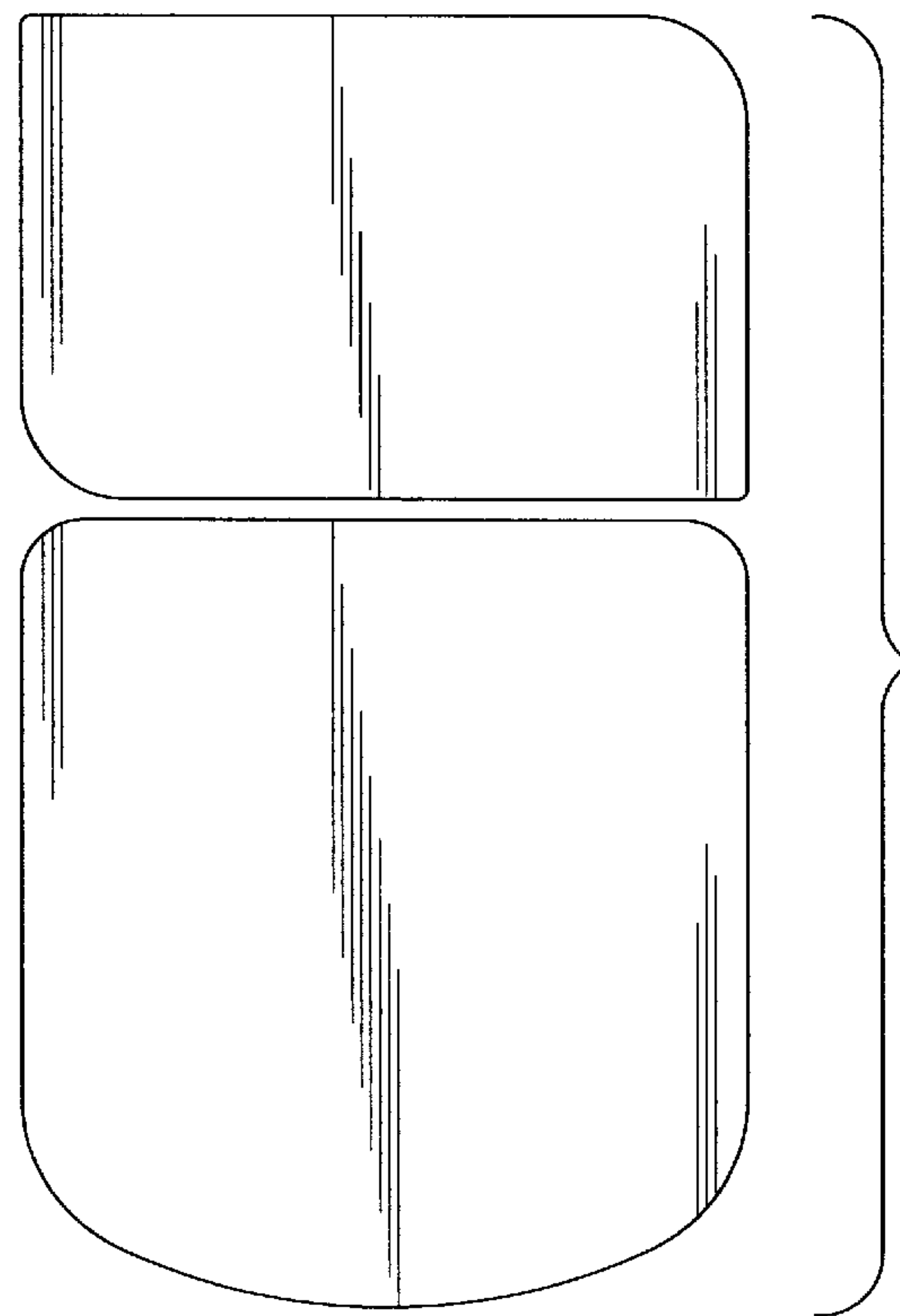


FIG. 3

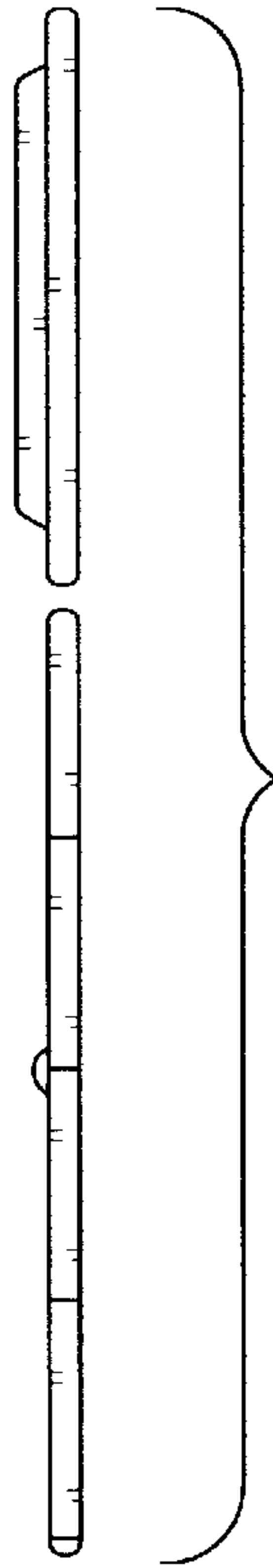


FIG. 4

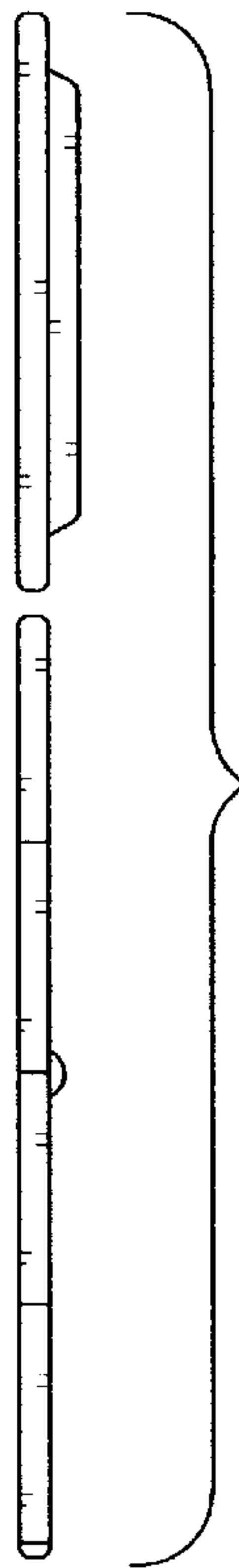


FIG. 5

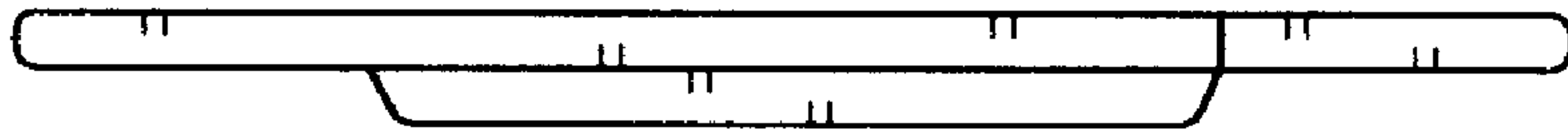


FIG. 6

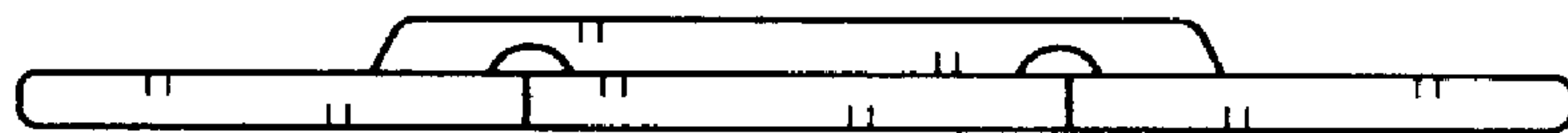


FIG. 7