



US00D538271S

(12) **United States Design Patent**
Kim et al.

(10) **Patent No.:** **US D538,271 S**

(45) **Date of Patent:** **** Mar. 13, 2007**

(54) **HEADSET**

(75) Inventors: **Dong Kyu Kim**, Namyangju-si (KR);
Yang Jic Lee, Seoul (KR); **Beom Ku Han**, Seoul (KR); **Chang Hwan Hwang**, Goyangsi (KR)

(73) Assignee: **Samsung Electronics Co., Ltd.** (KR)

(**) Term: **14 Years**

(21) Appl. No.: **29/251,527**

(22) Filed: **Jan. 9, 2006**

(30) **Foreign Application Priority Data**

Nov. 1, 2005 (KR) 30-2005-0036821

(51) **LOC (8) Cl.** **14-01**

(52) **U.S. Cl.** **D14/223**

(58) **Field of Classification Search** D14/188,
D14/192, 205, 206, 223, 225, 228; 181/129-130;
379/430, 433, 434, 432, 431; 381/381, 380,
381/375, 370, 376, 377, 378, 379; D24/174
See application file for complete search history.

(56) **References Cited**

U.S. PATENT DOCUMENTS

D326,653 S * 6/1992 Hino D14/192
D344,800 S * 3/1994 Lamby D14/174
D457,513 S * 5/2002 Pirelli et al. D14/223
D471,898 S * 3/2003 Bae D14/223

D479,834 S * 9/2003 Salazar et al. D14/205
6,760,459 B2 * 7/2004 Bae 381/375
D502,171 S * 2/2005 Tang et al. D14/223
D517,053 S * 3/2006 Ham D14/223
D517,054 S * 3/2006 Yang D14/223
D520,497 S * 5/2006 Yang D14/223

* cited by examiner

Primary Examiner—Paula A. Greene

(74) *Attorney, Agent, or Firm*—Irving Keschner

(57) **CLAIM**

The ornamental design for headset, as shown.

DESCRIPTION

FIG. 1 is a front perspective view of a headset showing our new design;

FIG. 2 is a front elevational view of the ornamental design of the present invention;

FIG. 3 is a rear elevational view of the ornamental design of the present invention;

FIG. 4 is a left side elevational view of the ornamental design of the present invention;

FIG. 5 is a right side elevational view of the ornamental design of the present invention;

FIG. 6 is a top plan view of the ornamental design of the present invention; and,

FIG. 7 is a bottom view of the ornamental design of the present invention.

1 Claim, 3 Drawing Sheets

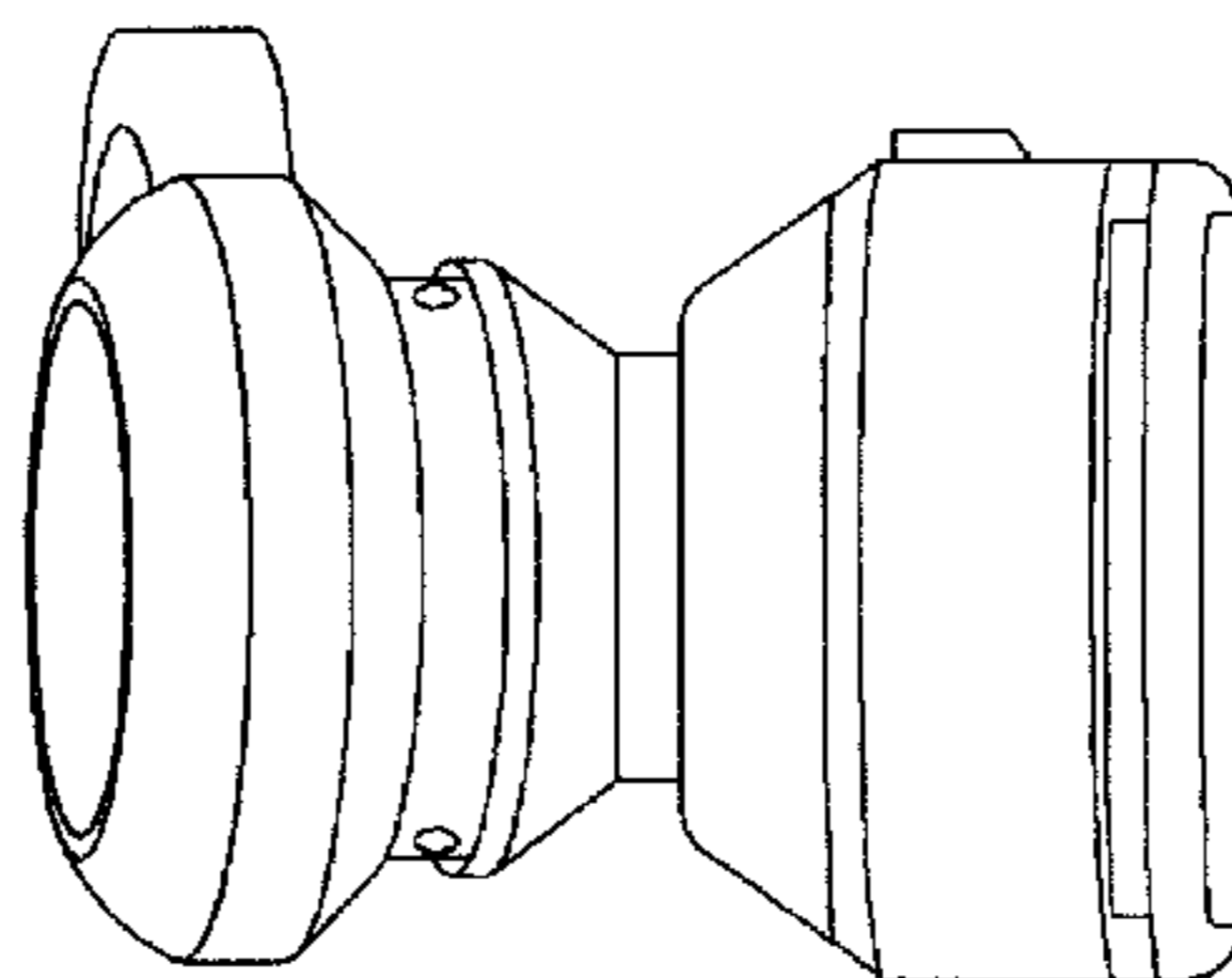
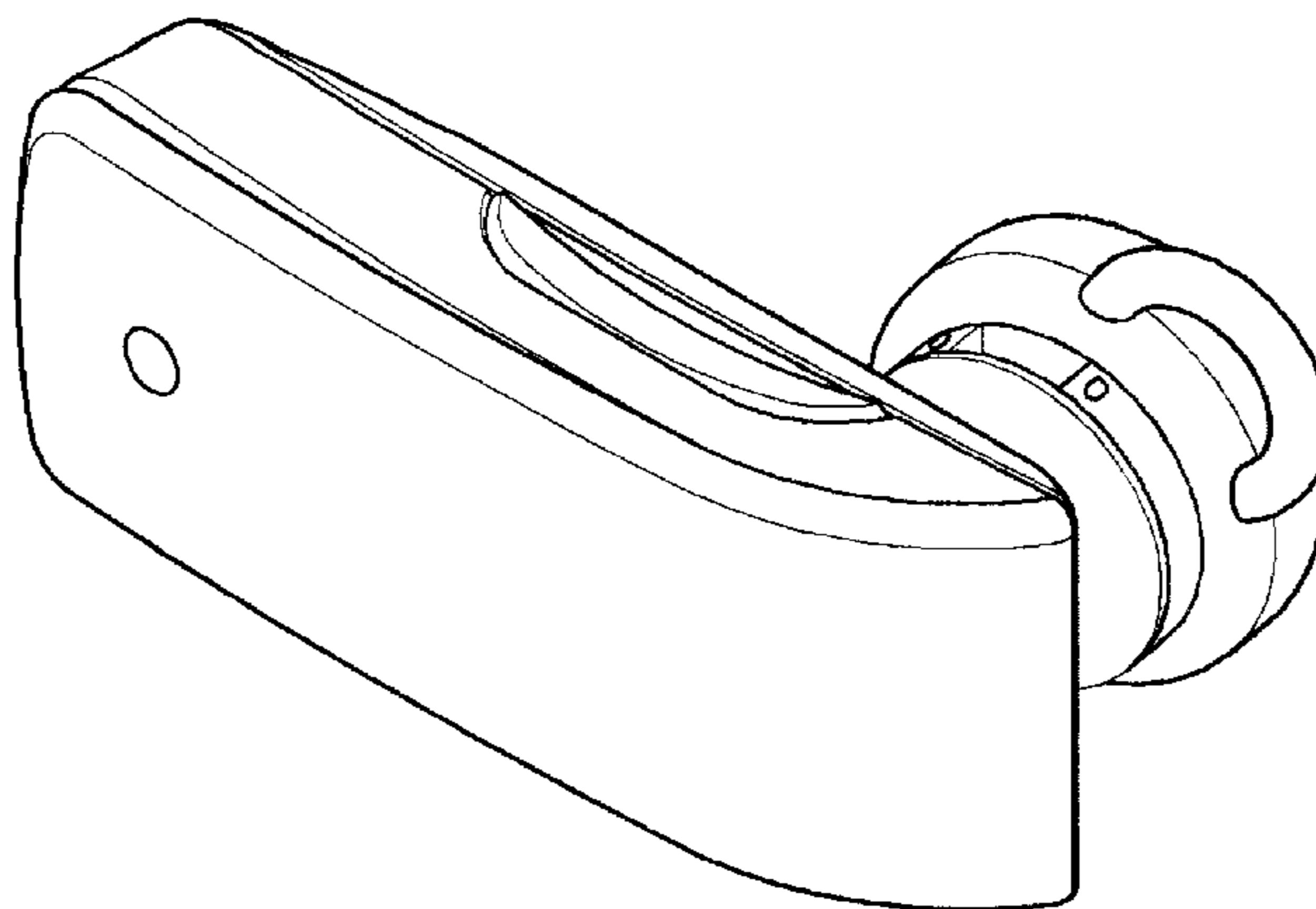


Fig. 1

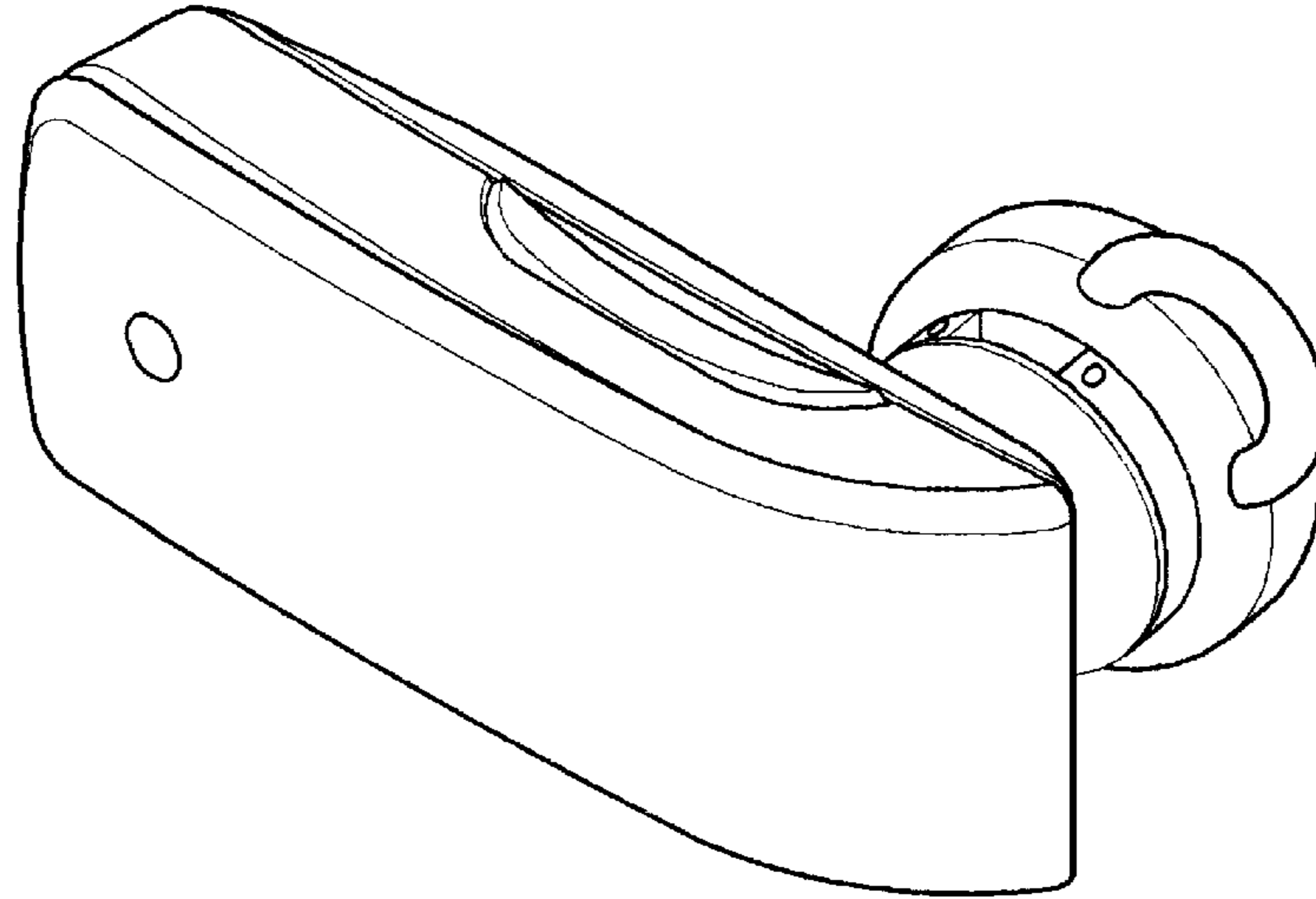


Fig. 2

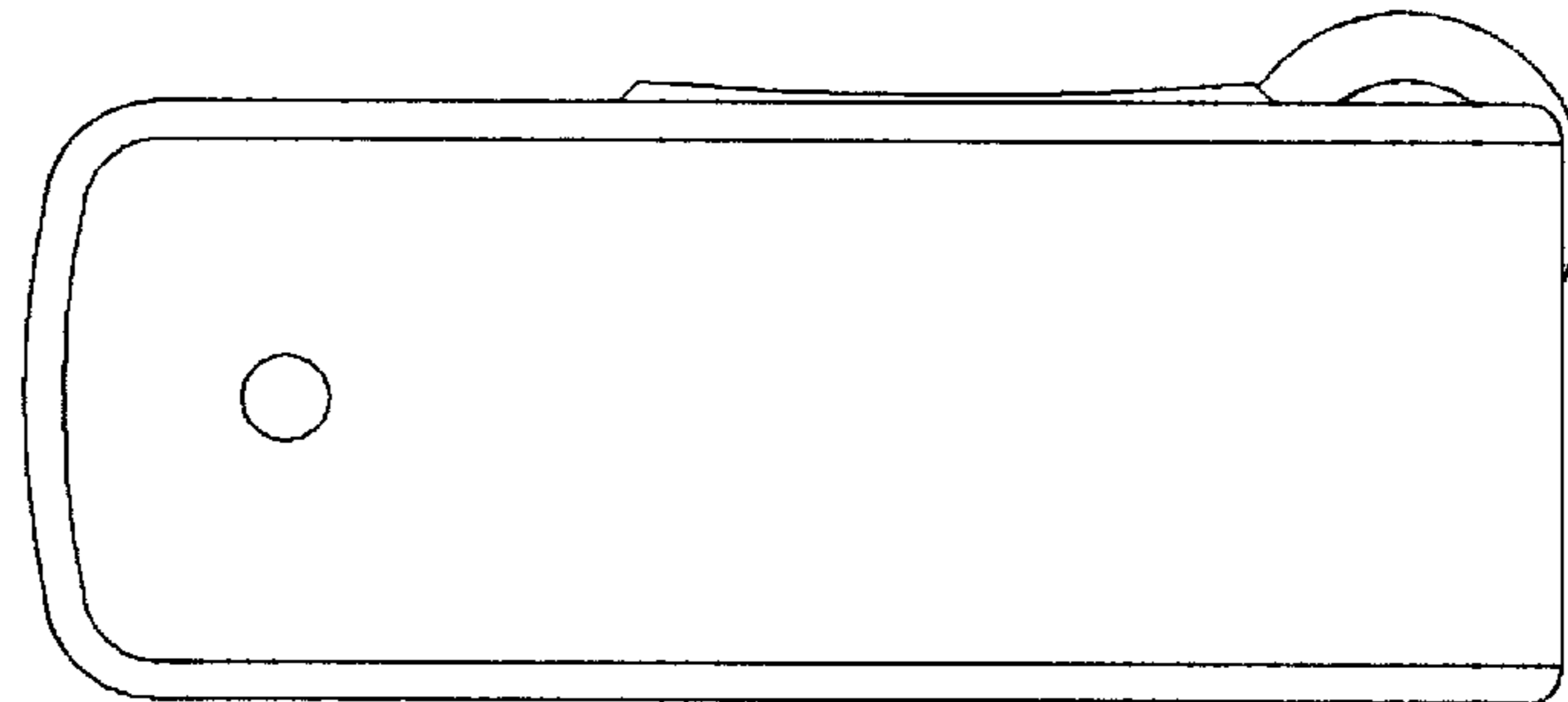


Fig. 3

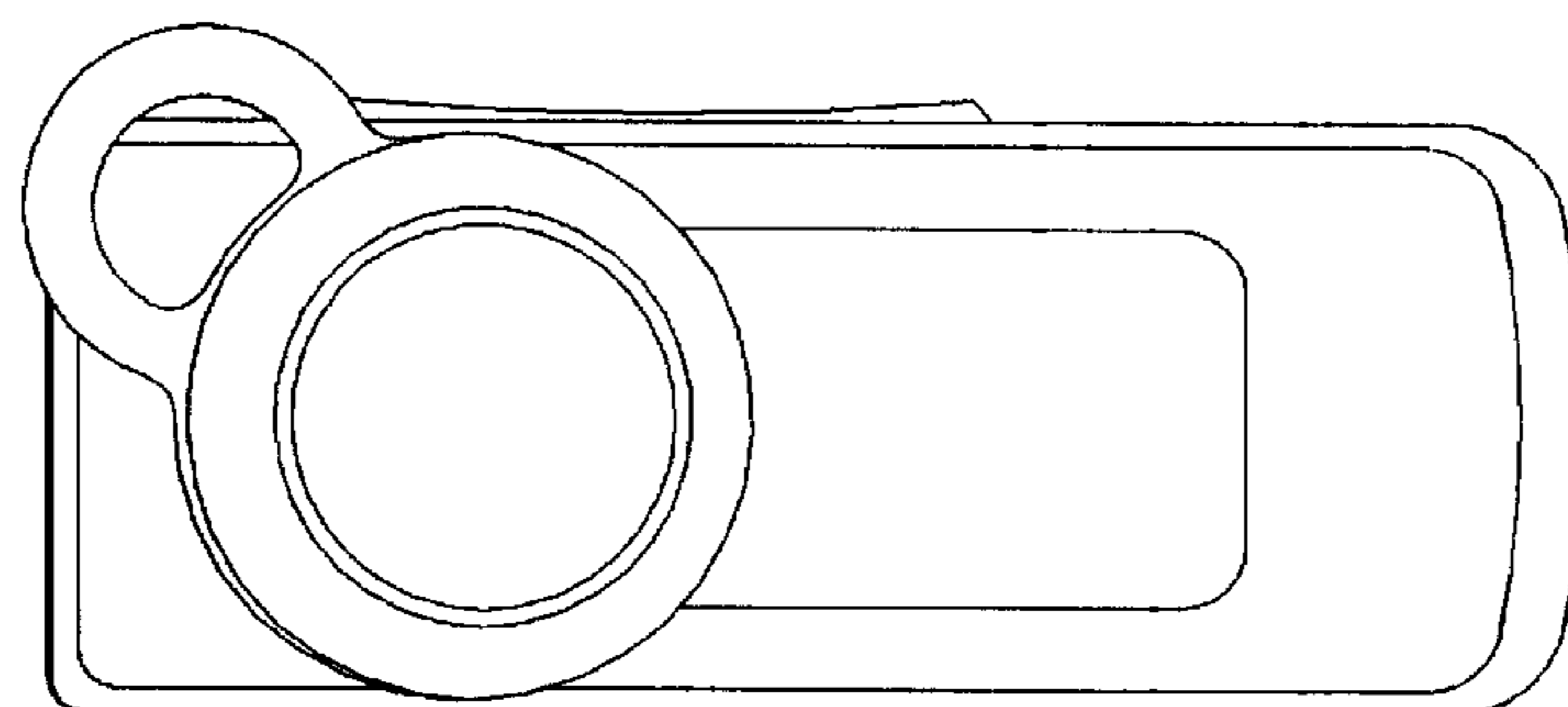


Fig. 4

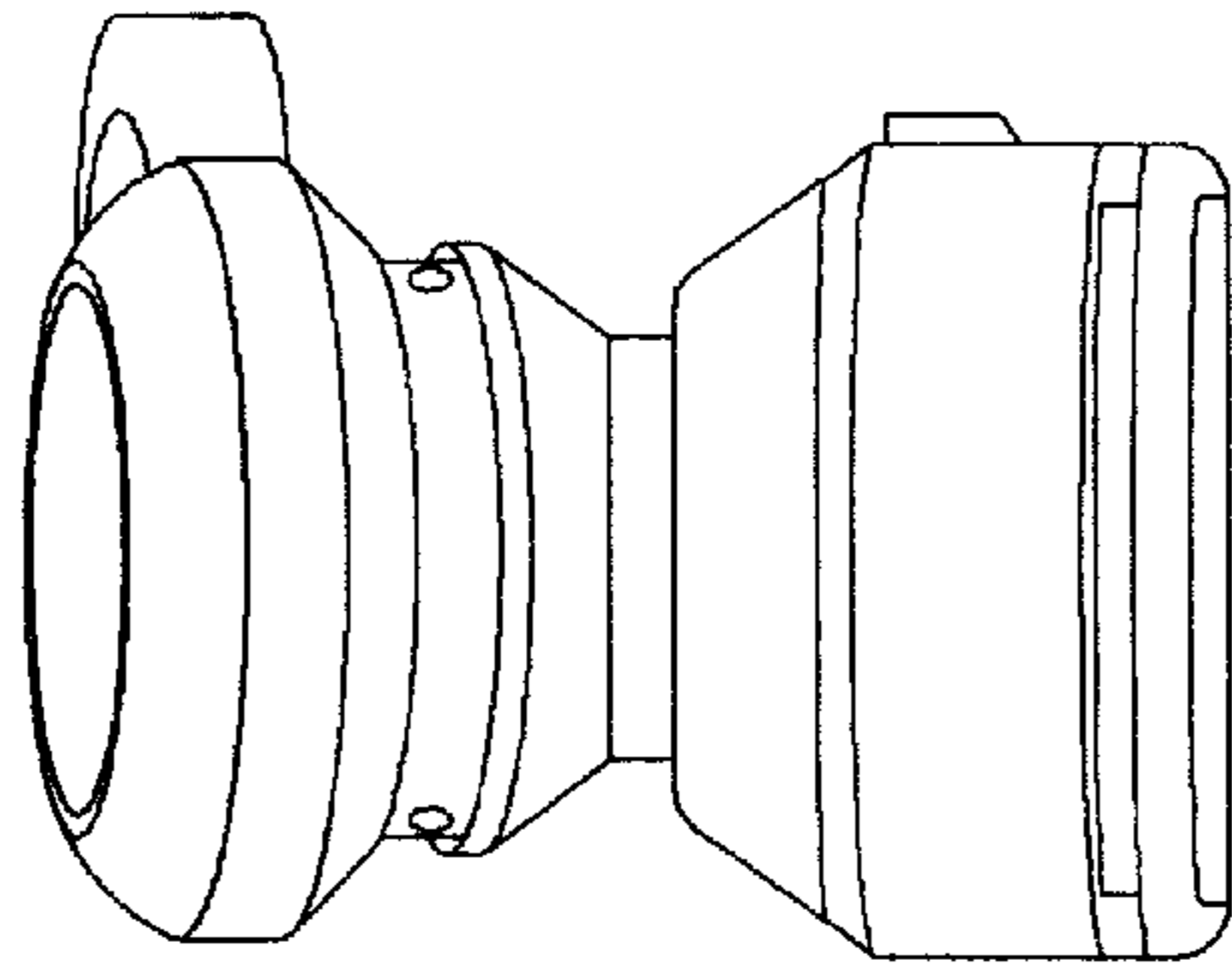


Fig. 5

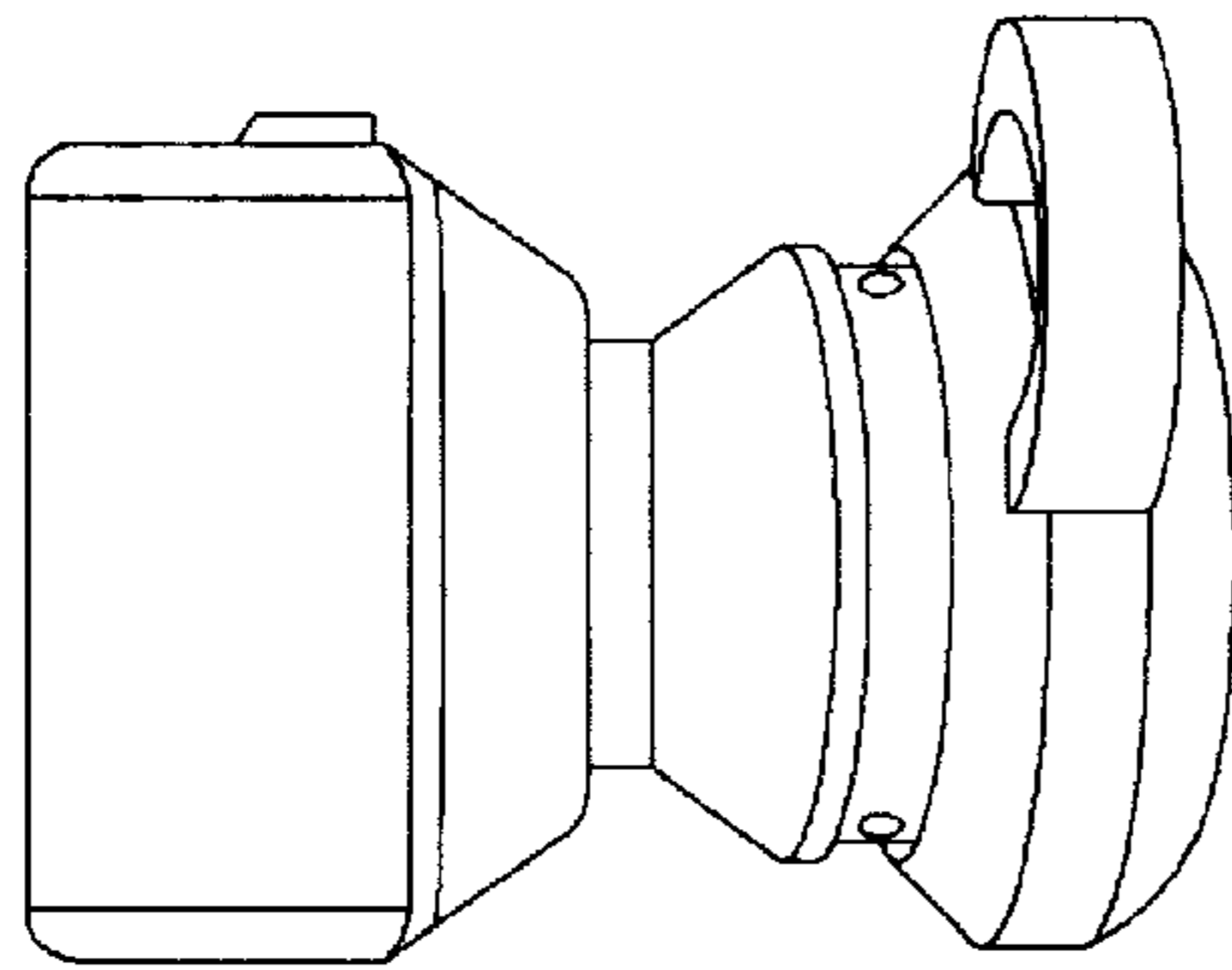


Fig. 6

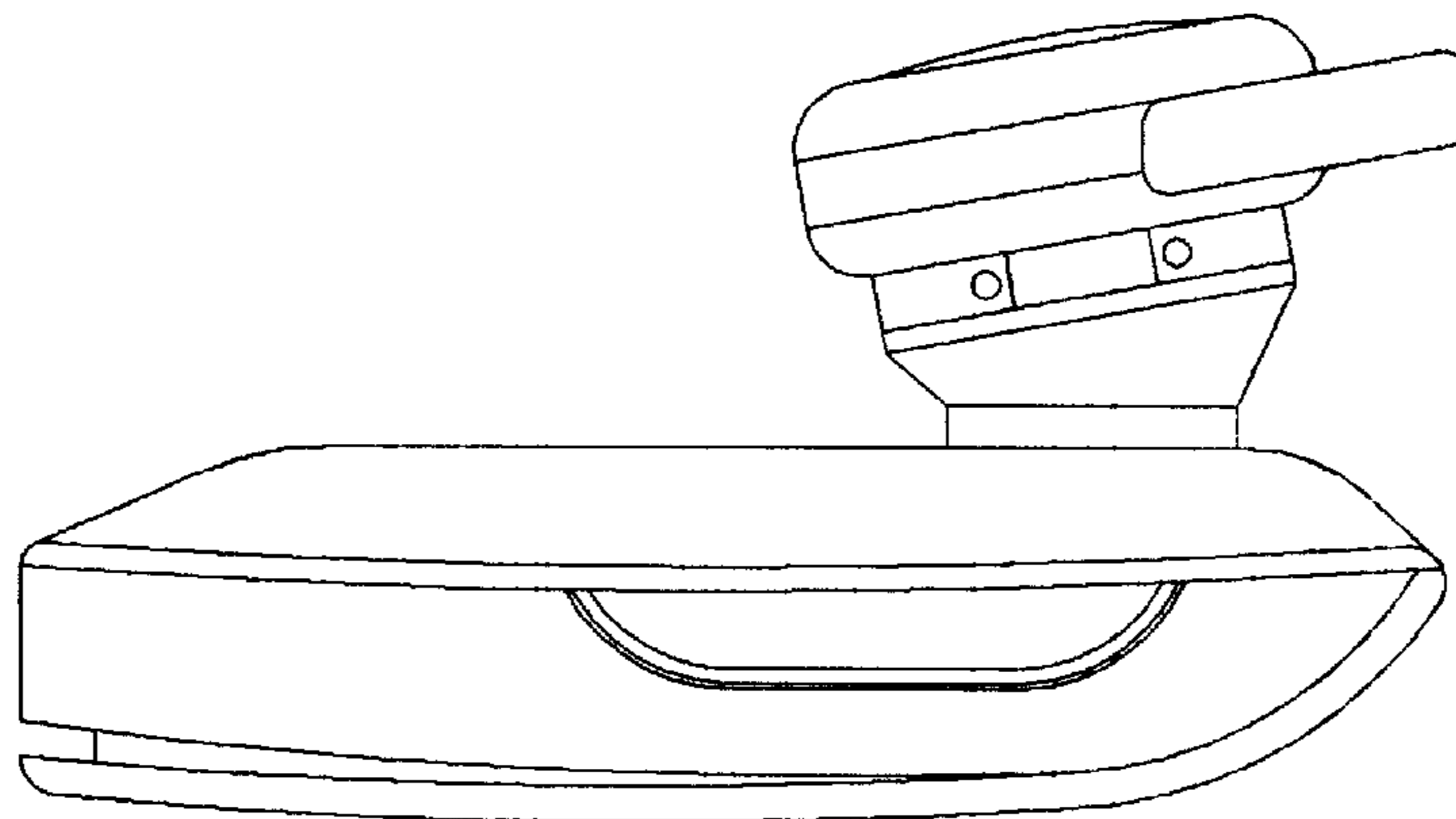


Fig. 7

