



US00D538270S

(12) **United States Design Patent**  
**Kim et al.**

(10) **Patent No.:** **US D538,270 S**  
(45) **Date of Patent:** **\*\* Mar. 13, 2007**

(54) **HEADSET**

(75) Inventors: **Dong Kyu Kim**, Namyangju-Si (KR);  
**Yang Jic Lee**, Seoul (KR); **Beom Ku Han**, Seoul (KR); **Chang Hwan Hwang**, Kyunggido (KR)

(73) Assignee: **Samsung Electronics Co., Ltd.** (KR)

(\*\*) Term: **14 Years**

(21) Appl. No.: **29/251,483**

(22) Filed: **Jan. 9, 2006**

(30) **Foreign Application Priority Data**

Nov. 4, 2005 (KR) ..... 30-2005-0037210

(51) **LOC (8) Cl.** ..... **14-01**

(52) **U.S. Cl.** ..... **D14/223**

(58) **Field of Classification Search** ..... D14/188,  
D14/192, 205, 206, 223, 225, 228; 181/129-130;  
379/130, 430, 433, 431, 432, 482; 381/370,  
381/375, 376, 377, 378, 379, 380, 381, 385;  
D24/174

See application file for complete search history.

(56) **References Cited**

**U.S. PATENT DOCUMENTS**

2,474,135 A \* 6/1949 White ..... 381/381  
D272,904 S \* 3/1984 Kawano ..... D14/205  
D284,859 S \* 7/1986 Okada ..... D14/192  
D293,107 S \* 12/1987 Muller ..... D14/205  
5,450,496 A \* 9/1995 Burris et al. .... 381/375

5,655,026 A \* 8/1997 Peters et al. .... 381/385  
6,101,260 A \* 8/2000 Jensen et al. .... 381/381  
D468,728 S \* 1/2003 Rath et al. .... D14/223  
D477,822 S \* 7/2003 Komiyama ..... D14/223  
D478,573 S \* 8/2003 Wisley et al. .... D14/223  
D485,549 S \* 1/2004 Ma et al. .... D14/223  
7,110,535 B2 \* 9/2006 Bodley et al. .... 379/430

\* cited by examiner

*Primary Examiner*—Paula A. Greene

(74) *Attorney, Agent, or Firm*—Irving Keschner

(57) **CLAIM**

The ornamental design for headset, as shown and described.

**DESCRIPTION**

FIG. 1 is a perspective view of a headset showing our new design, the undisclosed portions are not part of the claimed design;

FIG. 2 is a front elevational view of the ornamental design of the present invention;

FIG. 3 is a rear elevational view of the ornamental design of the present invention;

FIG. 4 is a left side elevational view of the ornamental design of the present invention;

FIG. 5 is a right side elevational view of the ornamental design of the present invention;

FIG. 6 is a top plan view of the ornamental design of the present invention; and,

FIG. 7 is a bottom view of the ornamental design of the present invention.

**1 Claim, 3 Drawing Sheets**

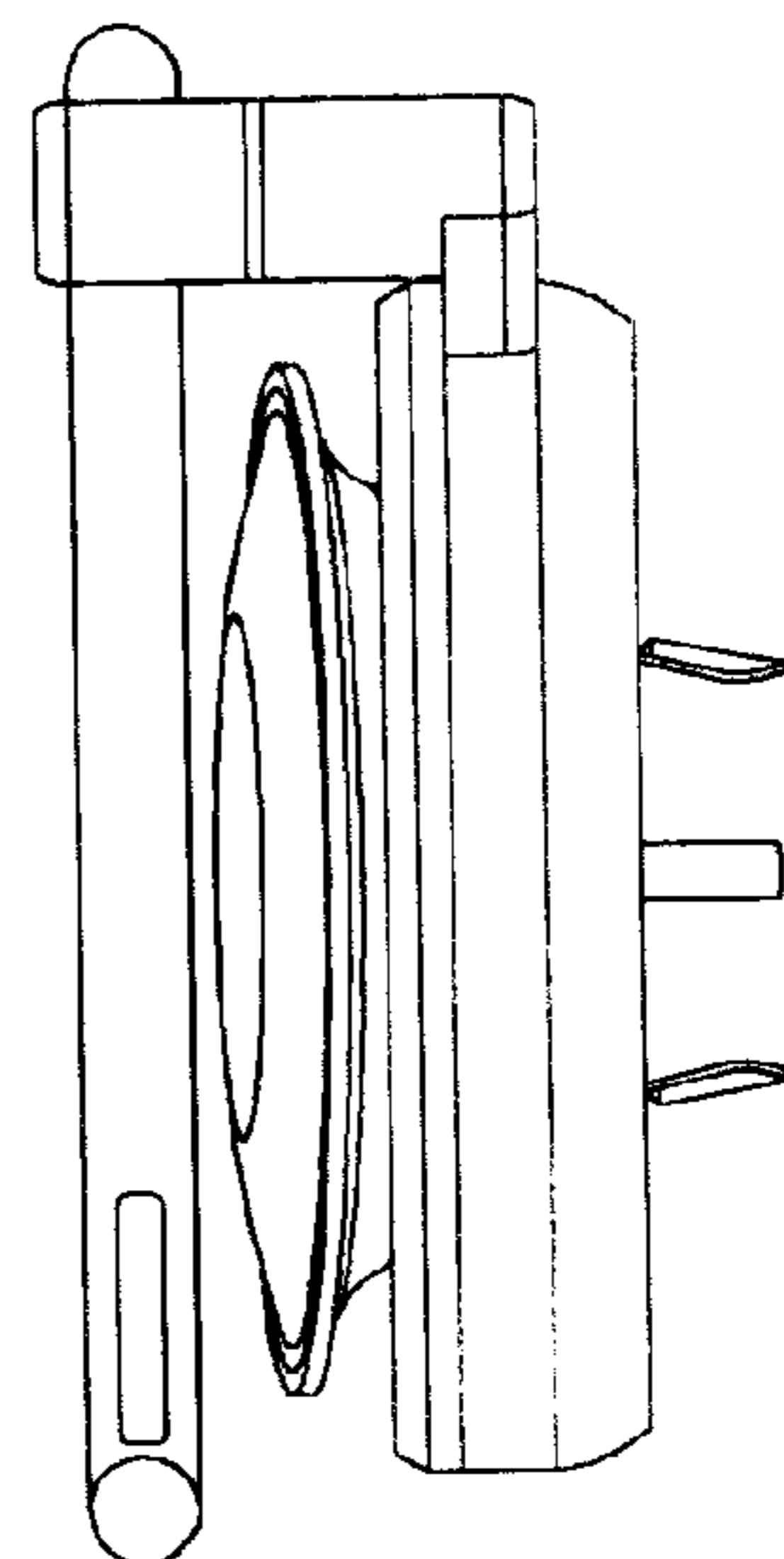
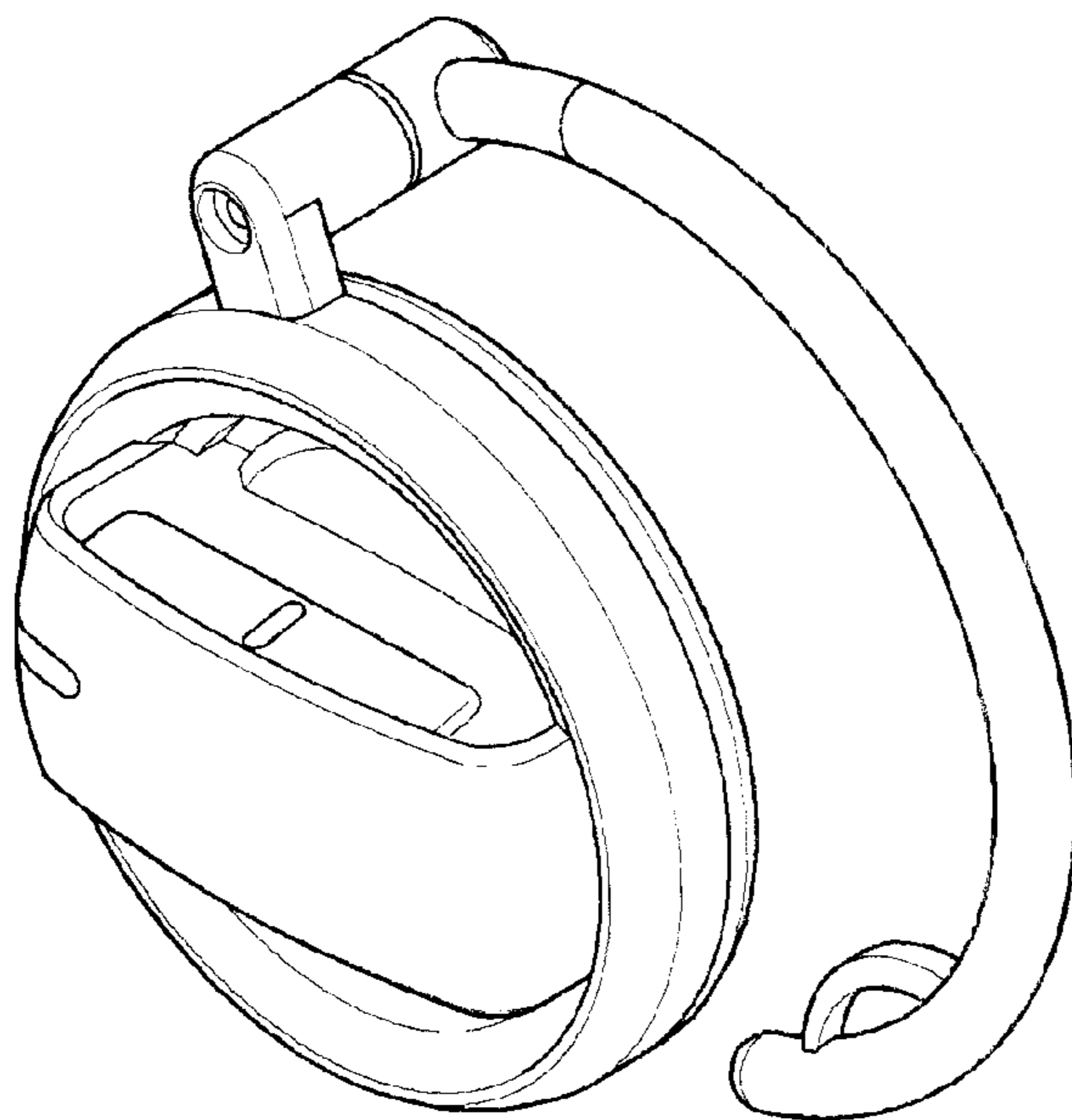


Fig. 1

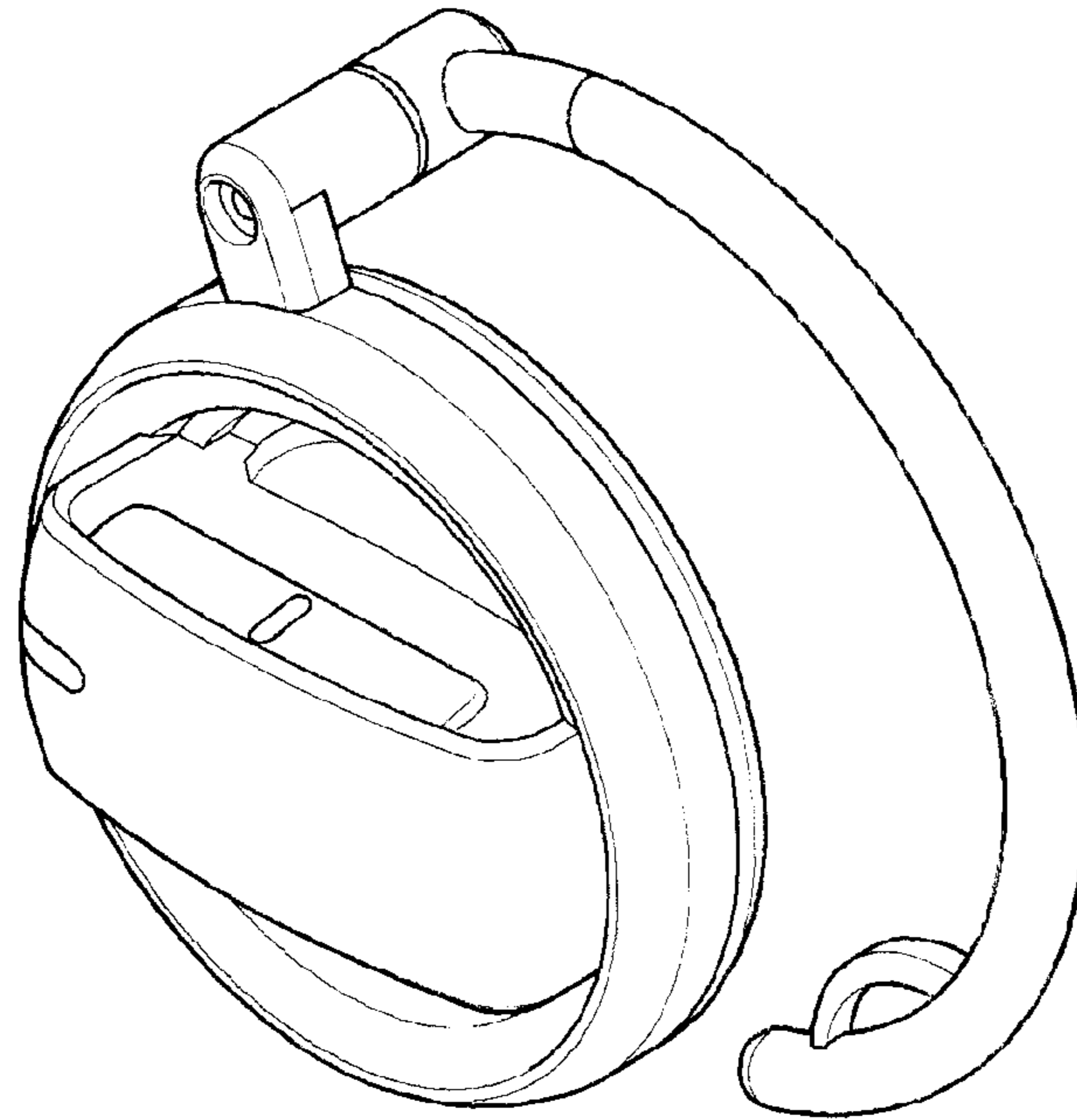


Fig. 2

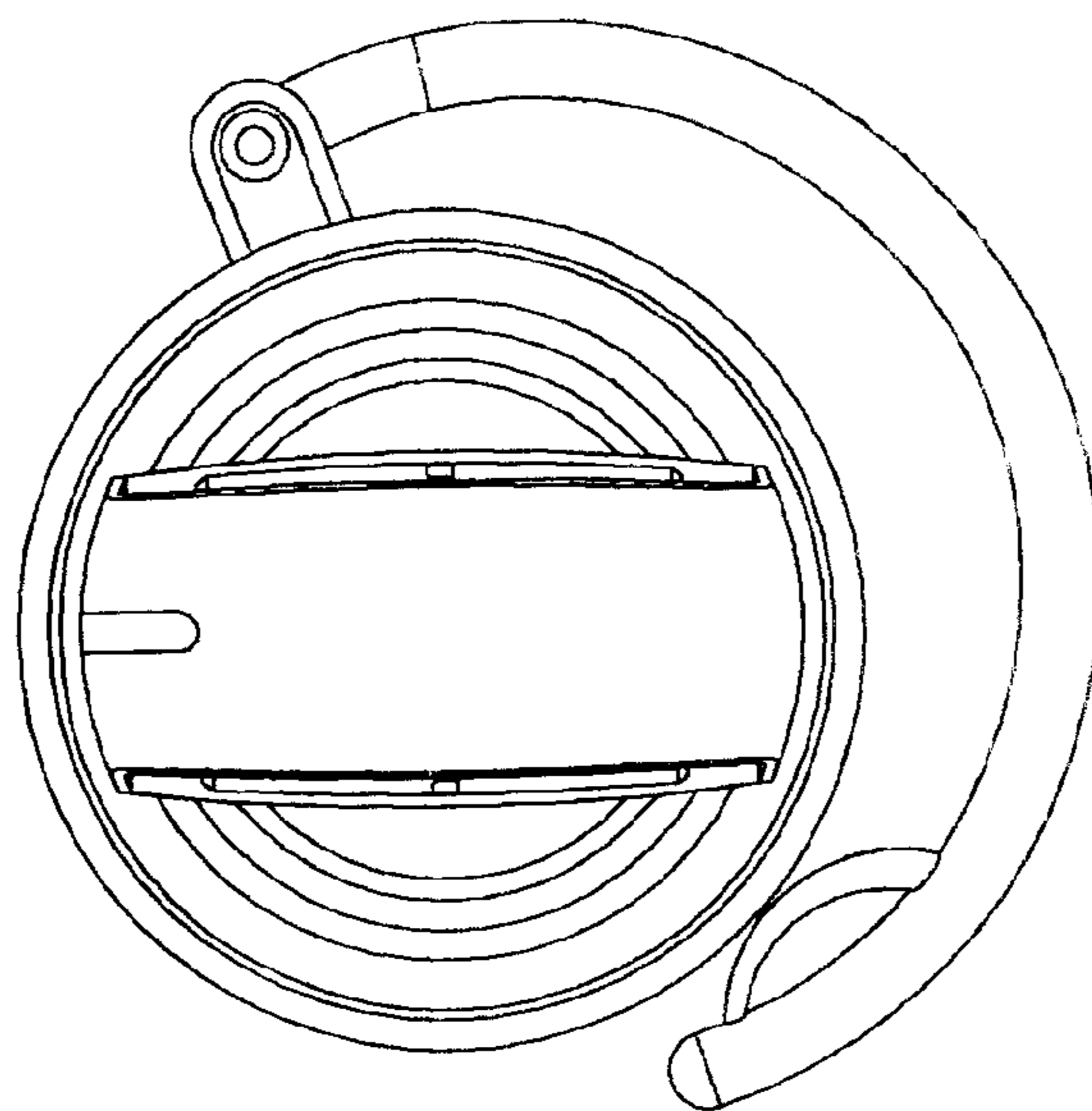


Fig. 3

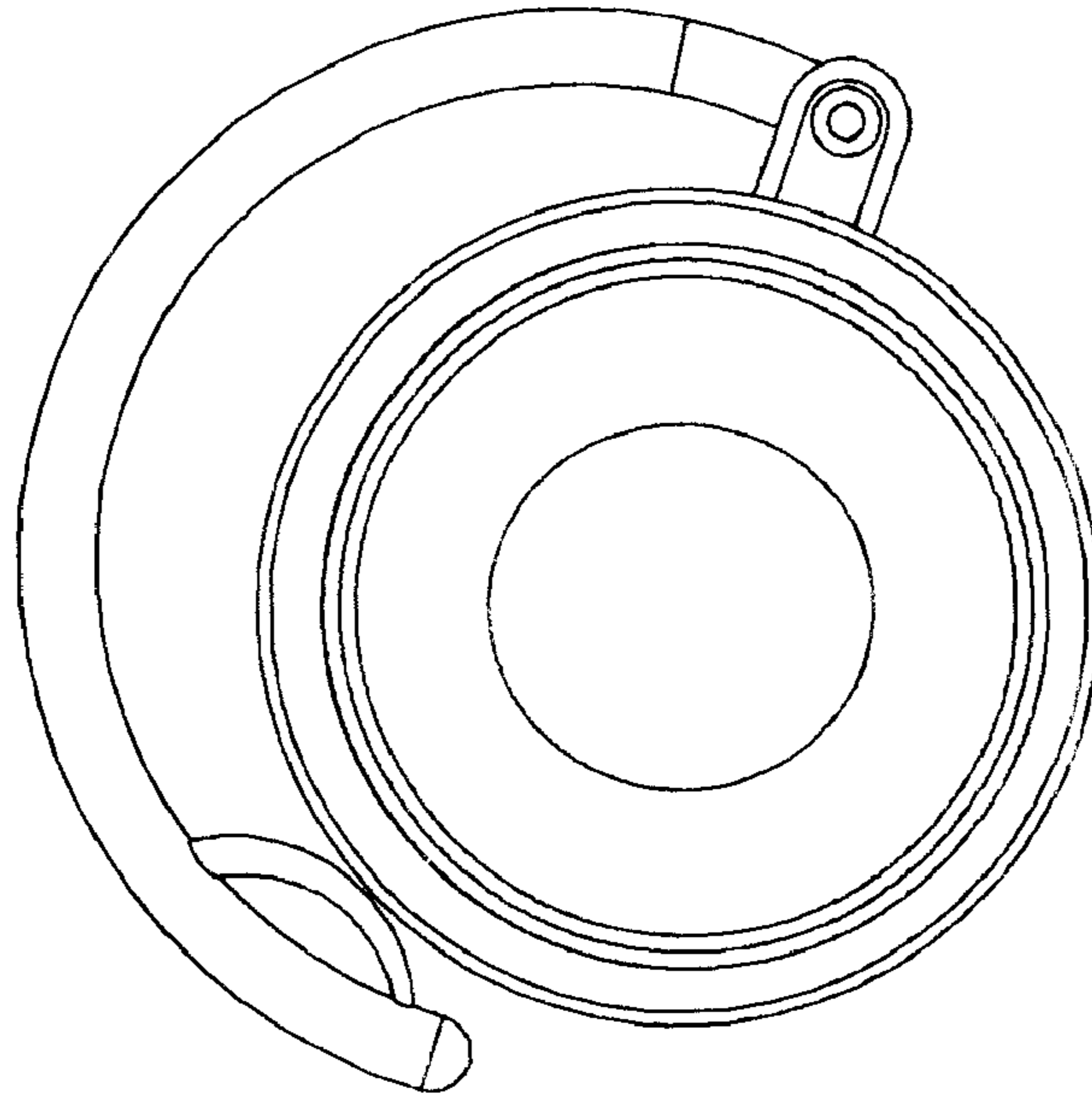


Fig. 4

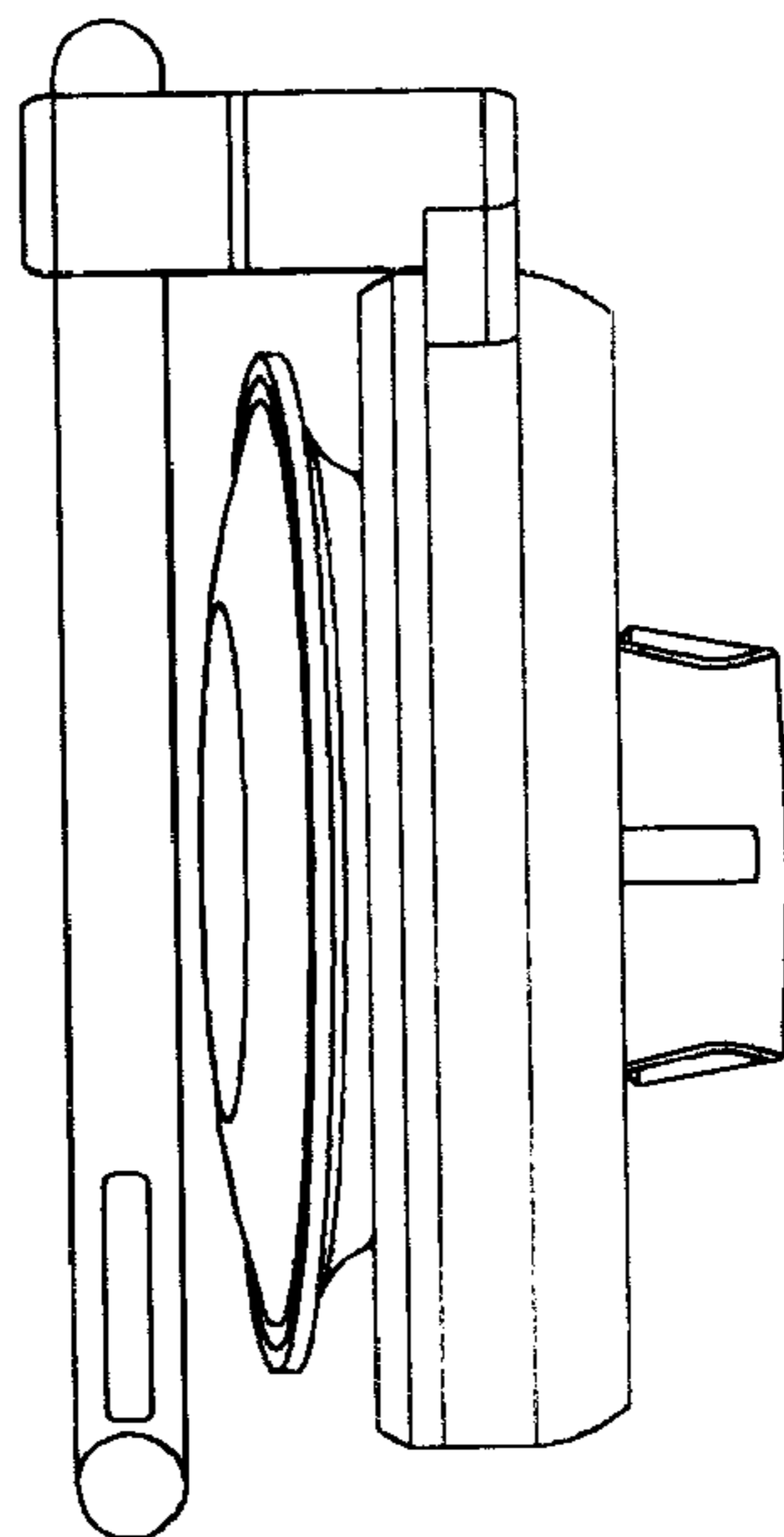


Fig. 5

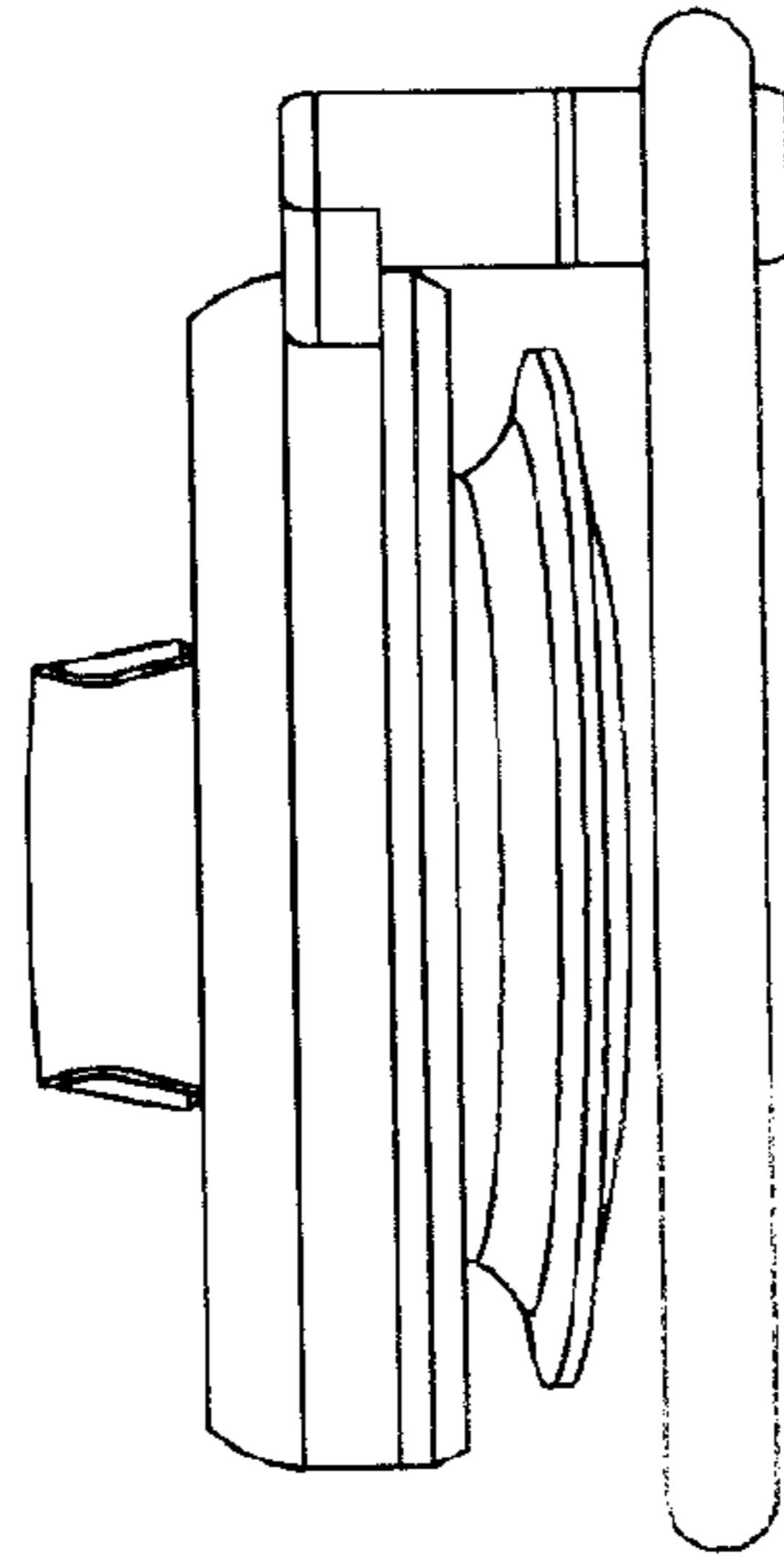


Fig. 6

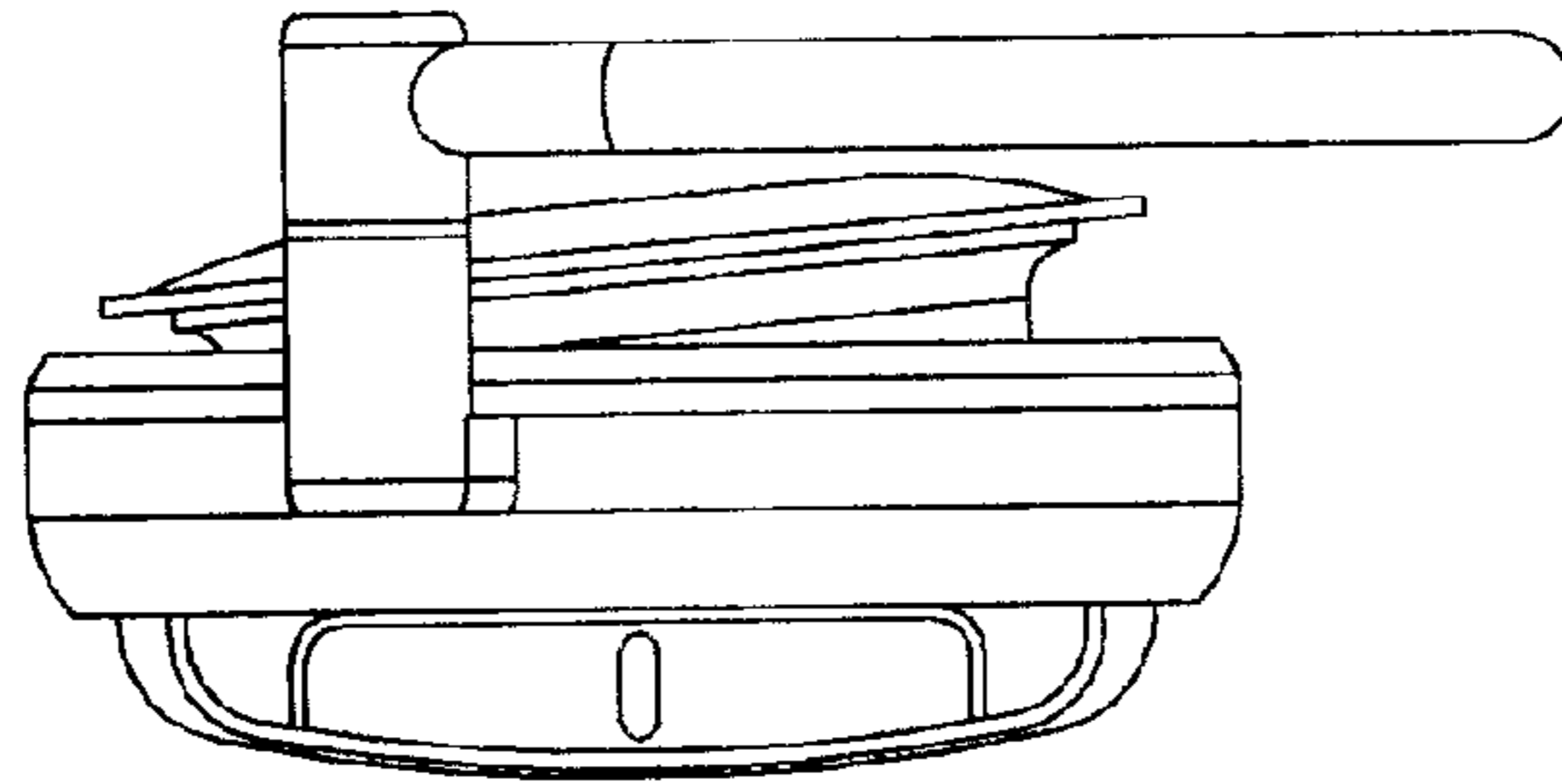


Fig. 7

