



US00D538268S

(12) **United States Design Patent**
Gibson et al.

(10) **Patent No.:** **US D538,268 S**

(45) **Date of Patent:** **** Mar. 13, 2007**

(54) **HEADSET FOR AN ELECTRONIC DEVICE**

D509,823 S * 9/2005 Han et al. D14/223
D512,991 S * 12/2005 Yano D14/223
D514,549 S * 2/2006 Rath et al. D14/223

(75) Inventors: **Scott Gibson**, Chelsea (CA); **Miles Hammond**, Ottawa (CA); **Scott Gales**, Masham (CA)

* cited by examiner

(73) Assignee: **Gennum Corporation**, Burlington (CA)

Primary Examiner—Paula A. Greene

(74) *Attorney, Agent, or Firm*—The Webb Law Firm

(**) Term: **14 Years**

(57) **CLAIM**

The ornamental design of a headset for an electronic device, as shown and described.

(21) Appl. No.: **29/245,680**

(22) Filed: **Dec. 28, 2005**

DESCRIPTION

(30) **Foreign Application Priority Data**

Jun. 30, 2005 (CA) 111713

(51) **LOC (8) Cl.** **14-01**

(52) **U.S. Cl.** **D14/223**

(58) **Field of Classification Search** D14/188,
D14/192, 205, 206, 223; D24/174; 379/430,
379/446; 381/370, 385, 381, 378, 338, 380,
381/379, 374, 376, 377; 181/132, 129–130,
181/135

See application file for complete search history.

FIG. 1 is a front elevational view of the design in a first position;

FIG. 2 is a top plan view of the design in the first position;

FIG. 3 is a first side view of the design in the first position;

FIG. 4 is a bottom plan view of the design;

FIG. 5 is a perspective view of the design in the first position;

FIG. 6 is a rear elevational view opposed to FIG. 1;

FIG. 7 is a further perspective view of the design;

FIG. 8 is a second side elevational view opposed to FIG. 3;

FIG. 9 is a front elevational view of the design in a second position;

FIG. 10 is a bottom plan view of the design in the second position;

FIG. 11 is a first side elevational view of the design in the second position;

FIG. 12 is a top plan view opposed to FIG. 10;

FIG. 13 is a perspective view of the design in the second position;

FIG. 14 is a rear elevational view opposed to FIG. 9;

FIG. 15 is a further perspective view of the design in the second position; and,

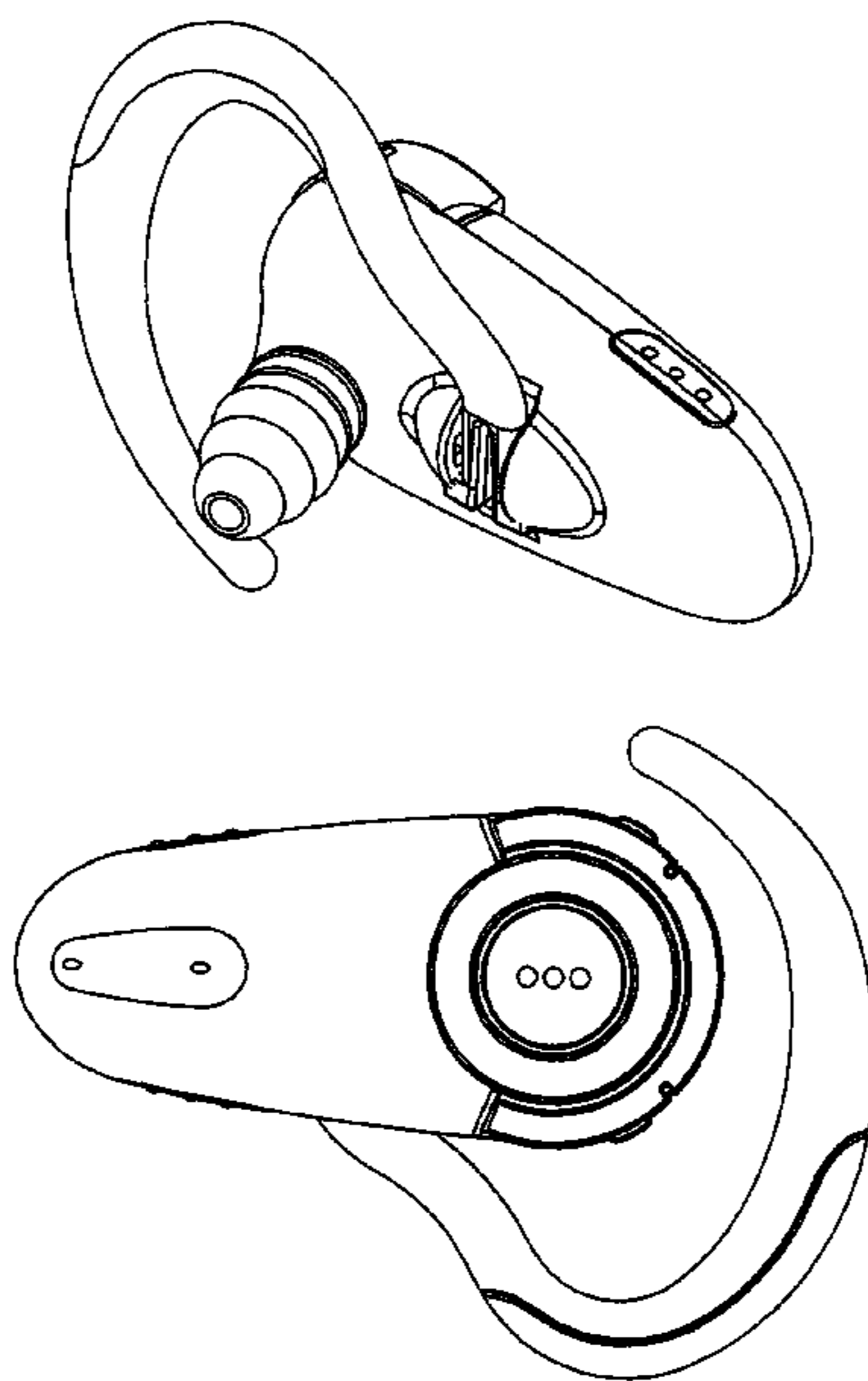
FIG. 16 is a side elevational view showing a second side opposed to FIG. 11.

(56) **References Cited**

U.S. PATENT DOCUMENTS

1,587,643 A * 6/1926 Harman 181/135
2,430,229 A * 11/1947 Kelsey 381/338
5,113,967 A * 5/1992 Killion et al. 181/132
5,655,026 A * 8/1997 Peters et al. 381/385
5,887,070 A * 3/1999 Iseberg et al. 381/380
5,960,094 A * 9/1999 Jensen et al. 381/381
6,760,458 B1 * 7/2004 Bogeskov-Jensen et al. 381/
370
6,771,790 B2 * 8/2004 Liu 381/385
D497,613 S * 10/2004 Gwee D14/223
D506,461 S * 6/2005 Han et al. D14/205

1 Claim, 8 Drawing Sheets



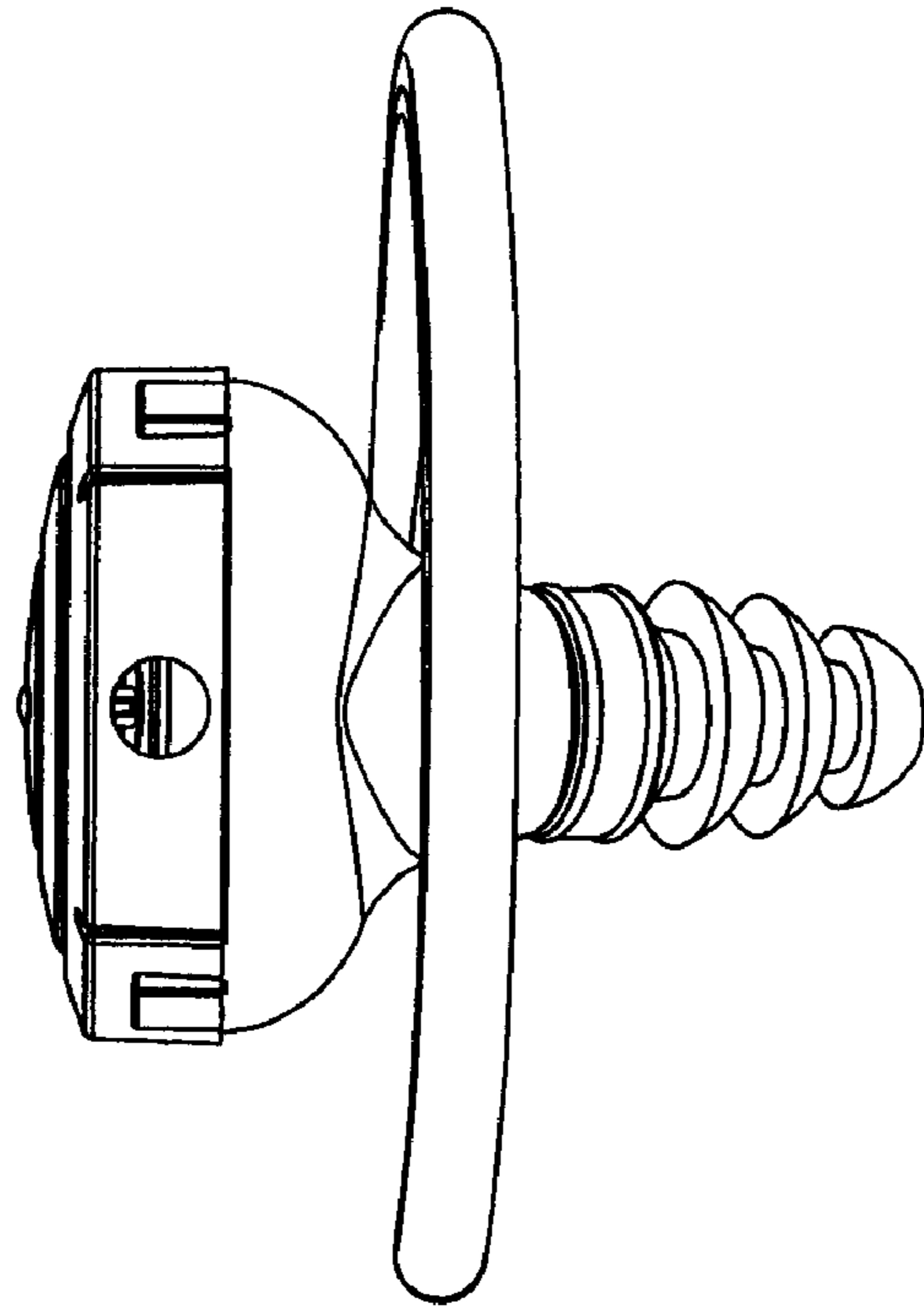


Fig.01

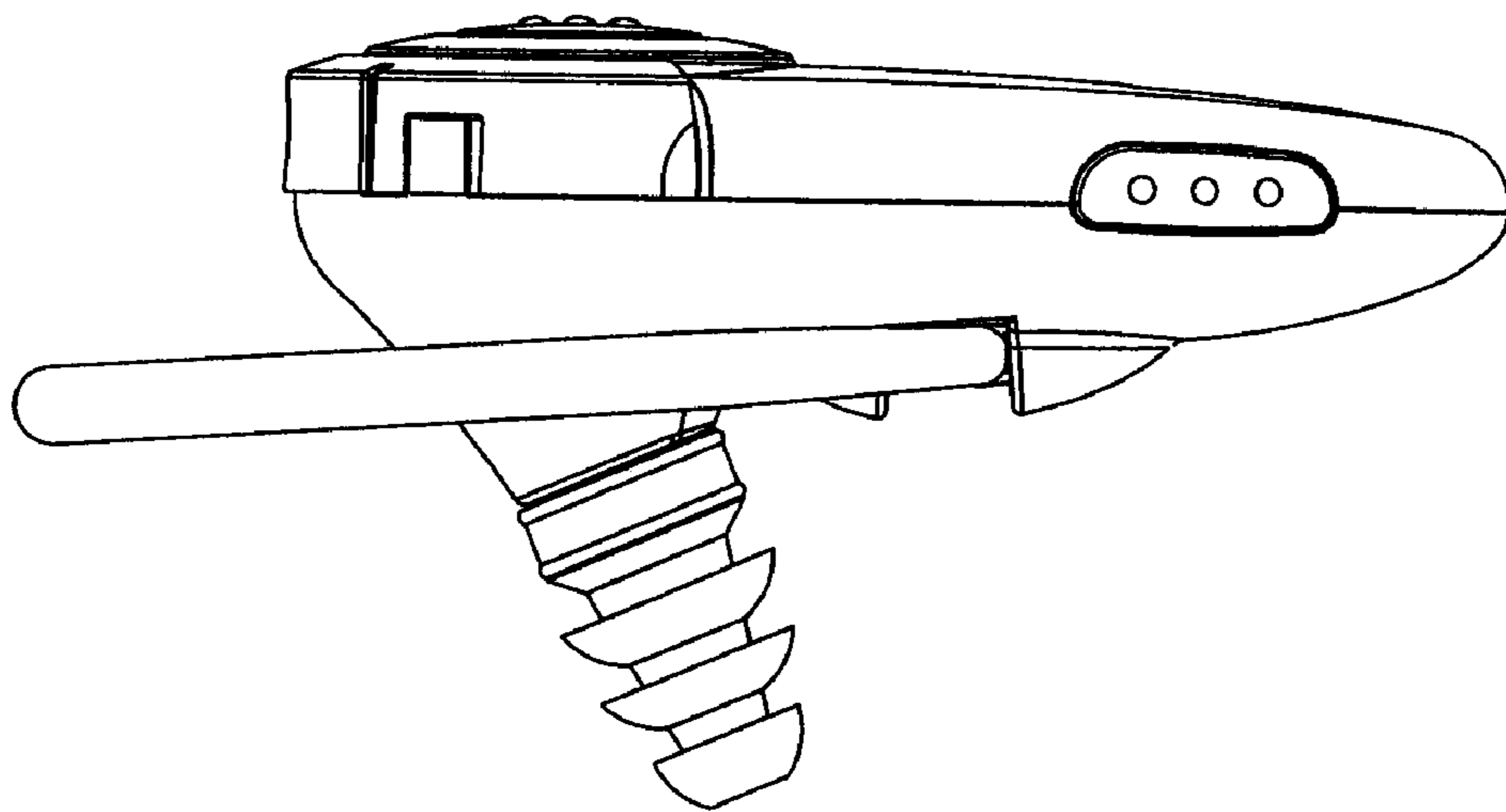


Fig 02

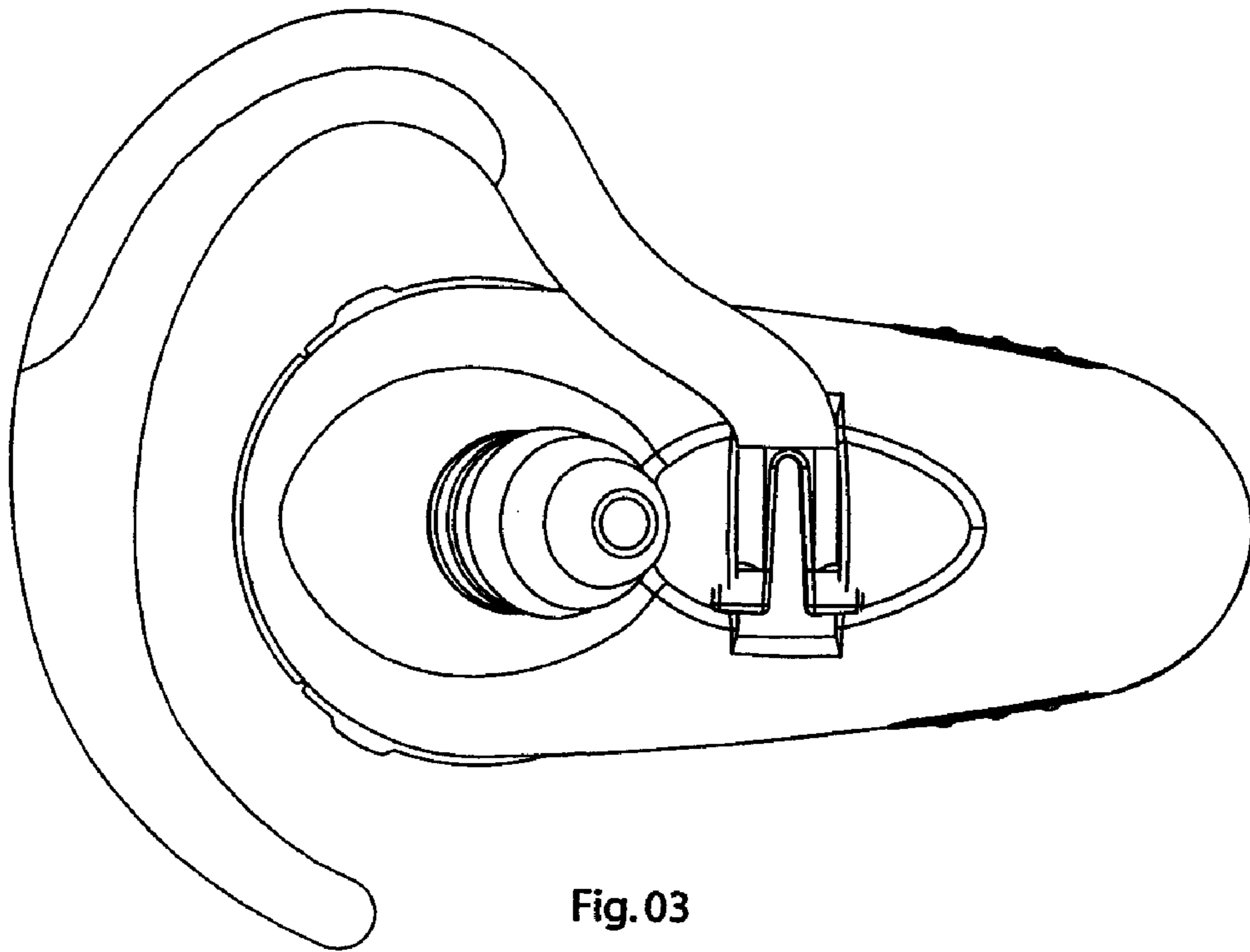


Fig. 03

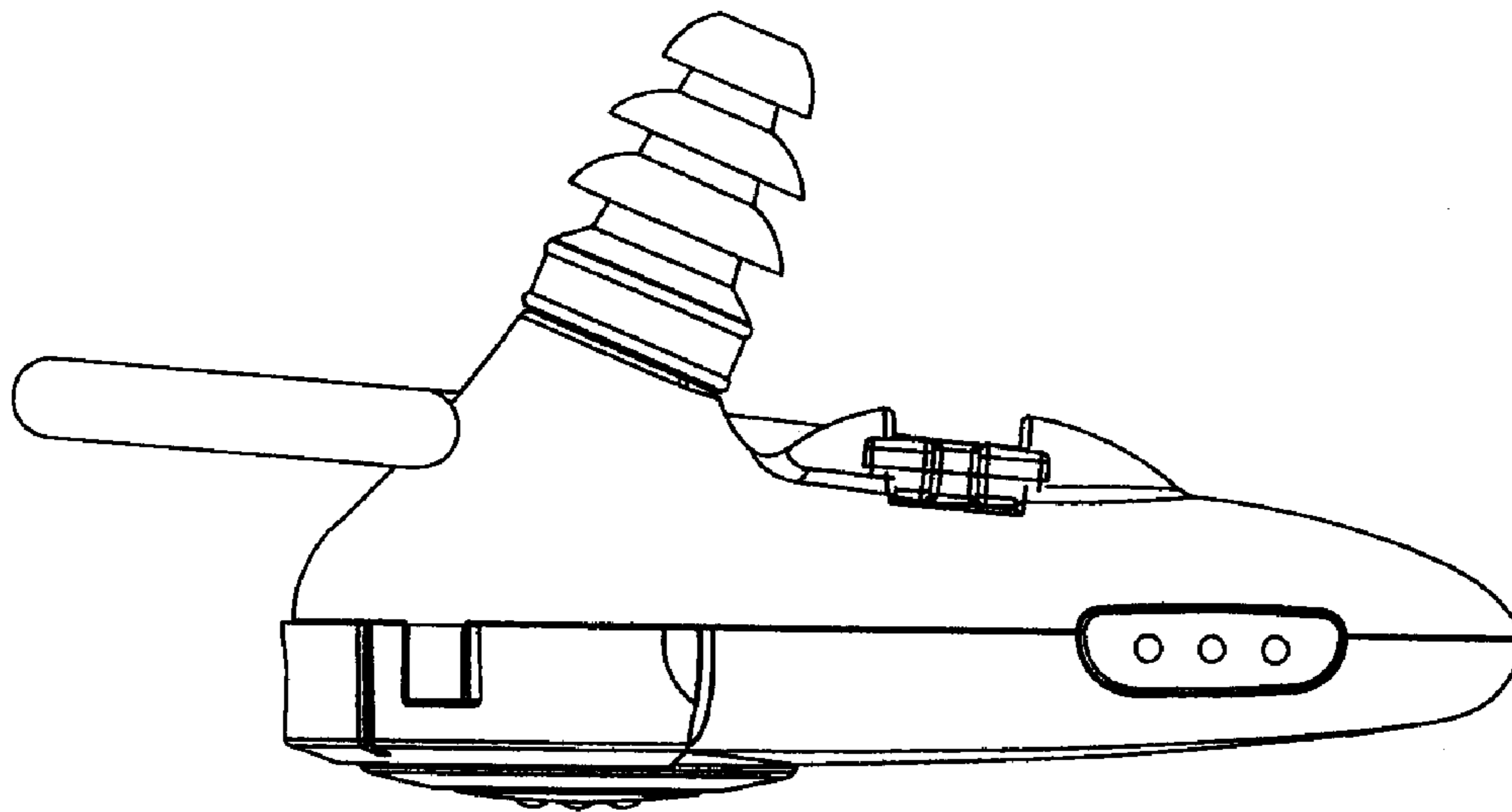


fig. 04

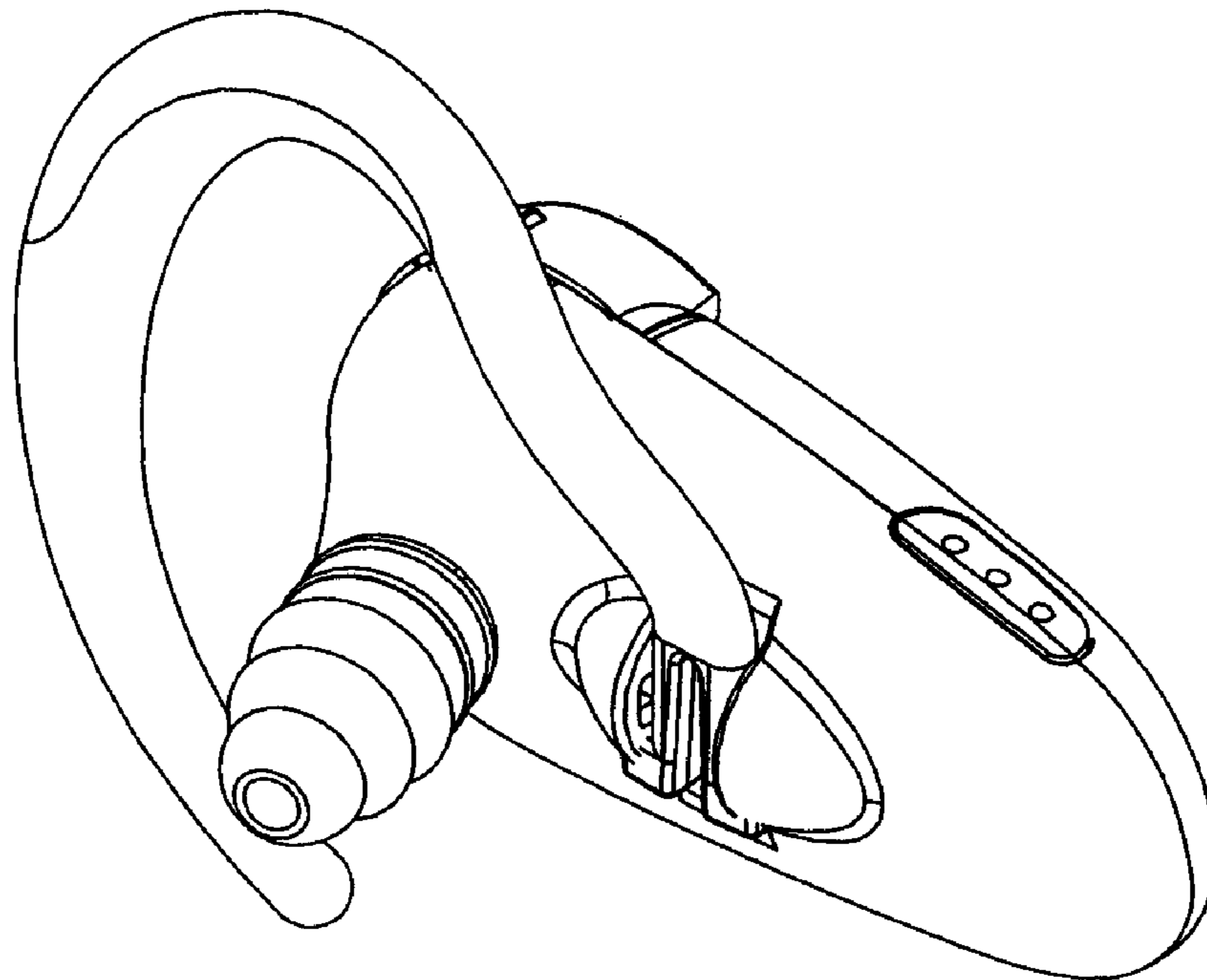


Fig. 05

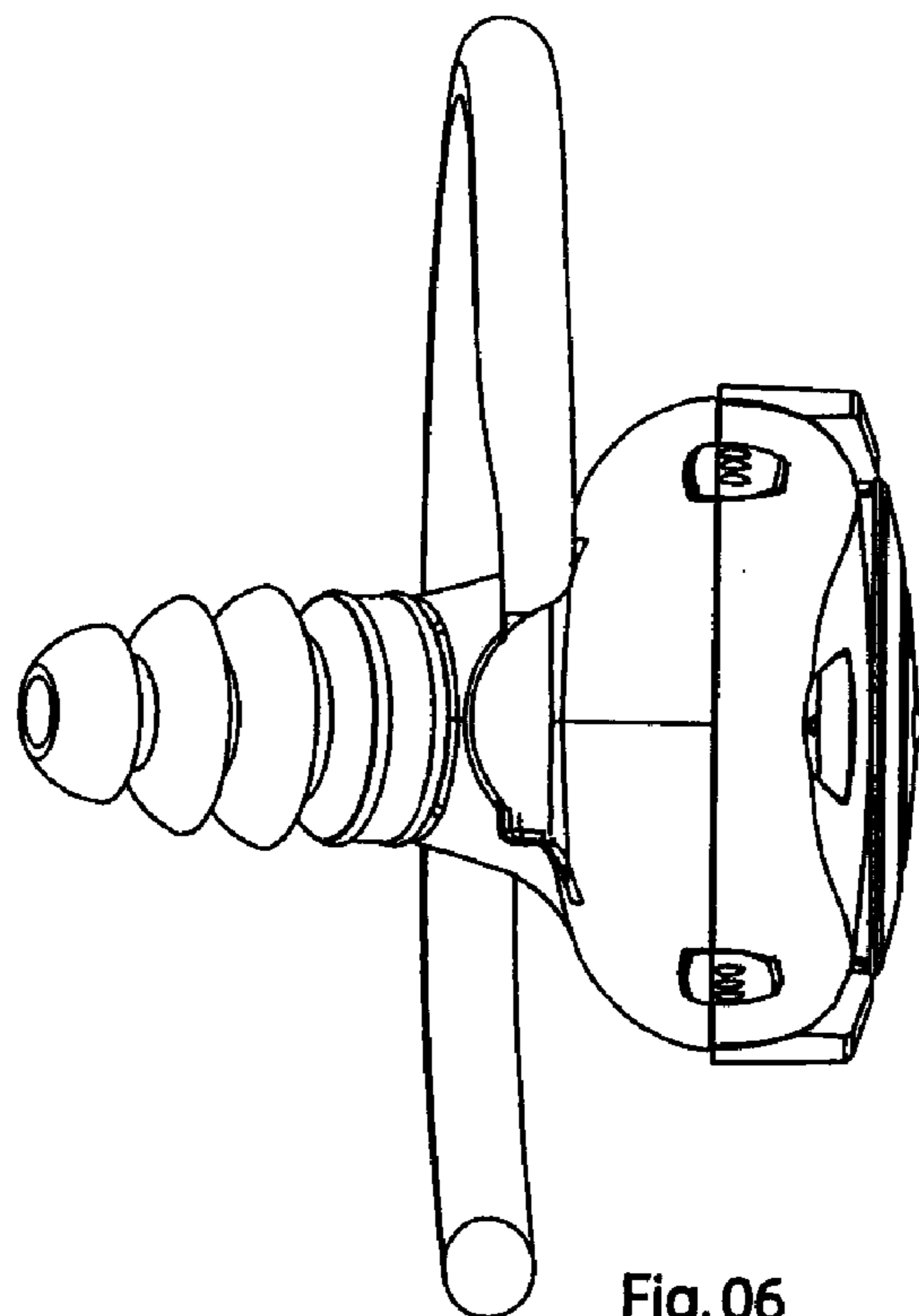


Fig. 06

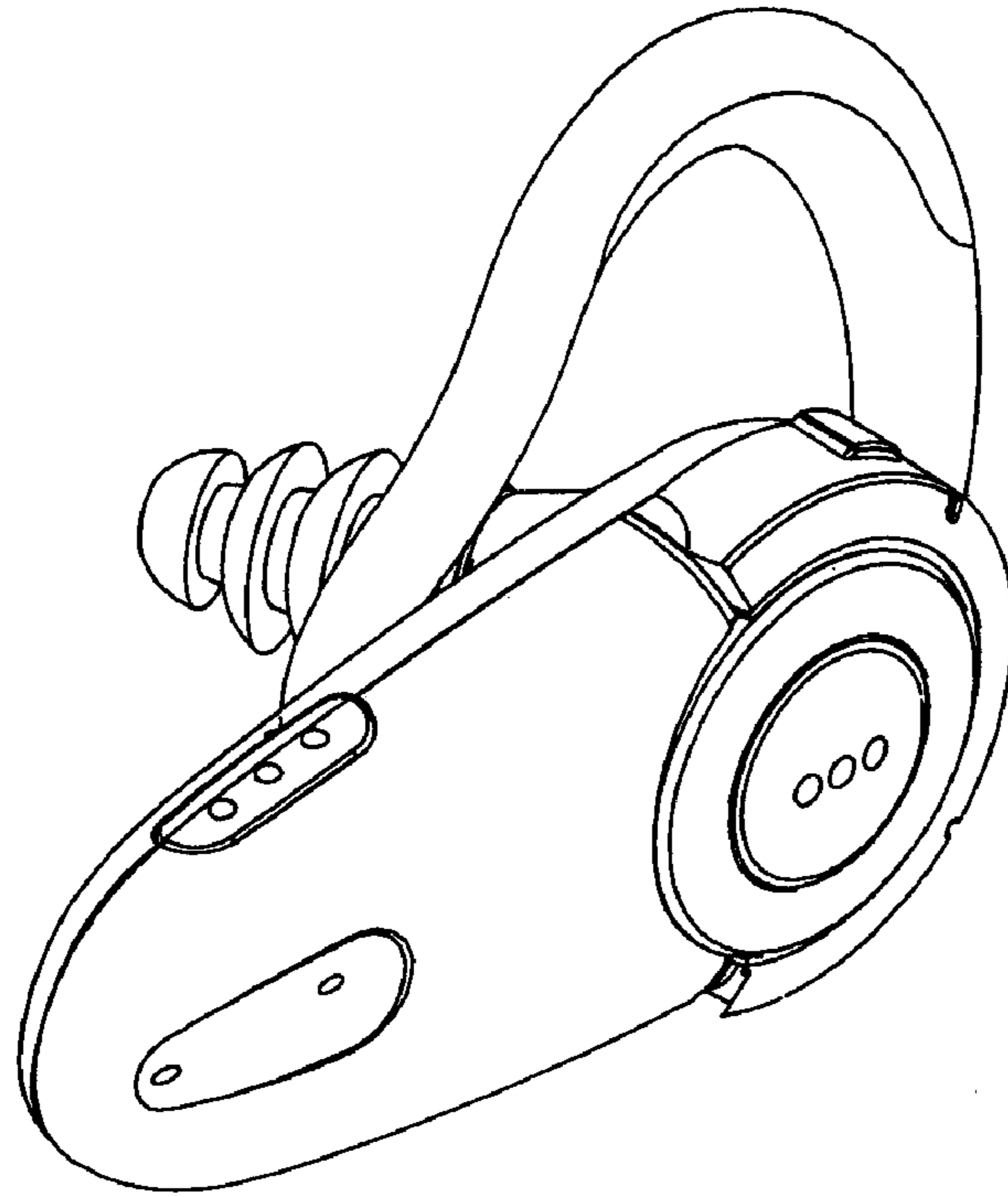


Fig.07

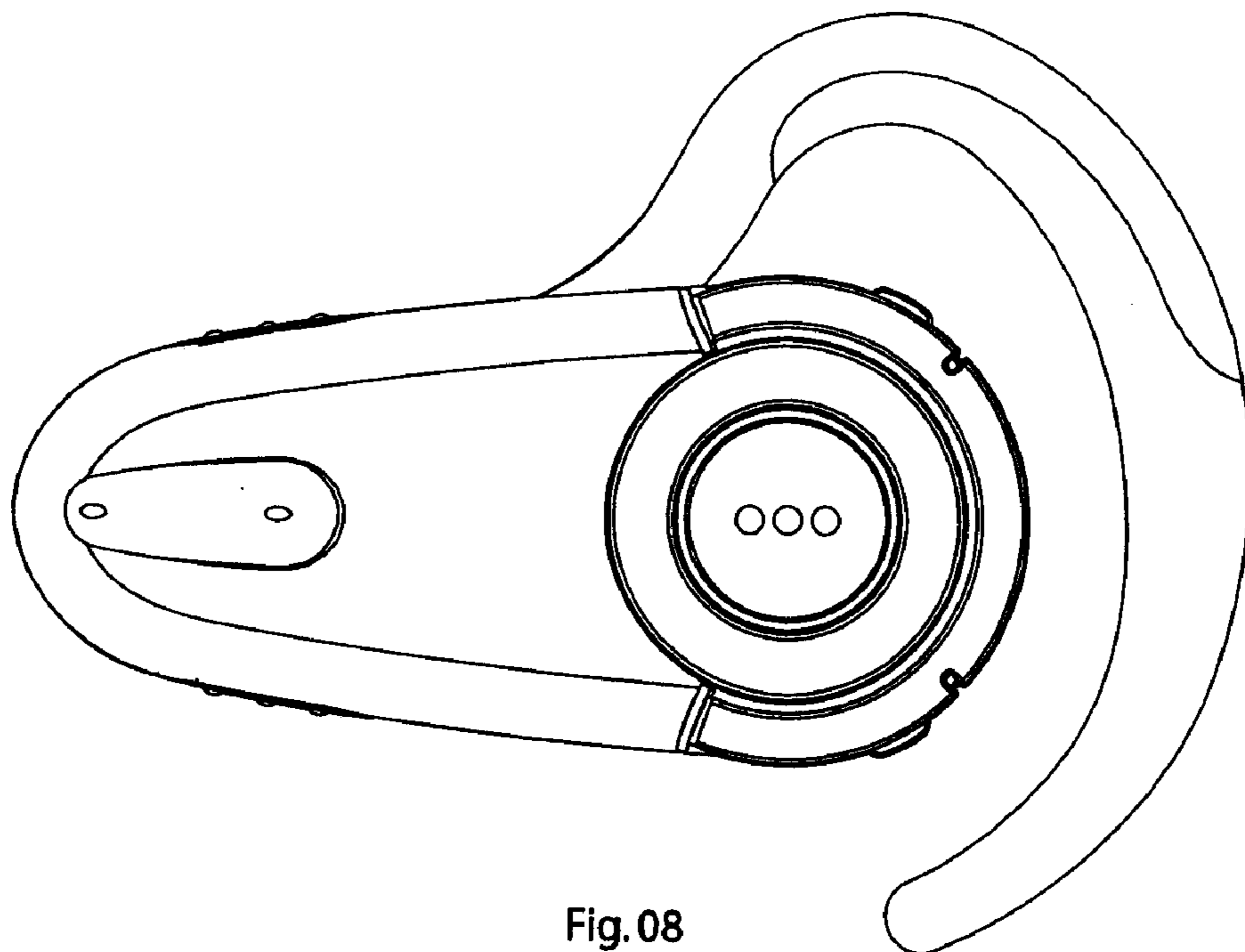


Fig.08

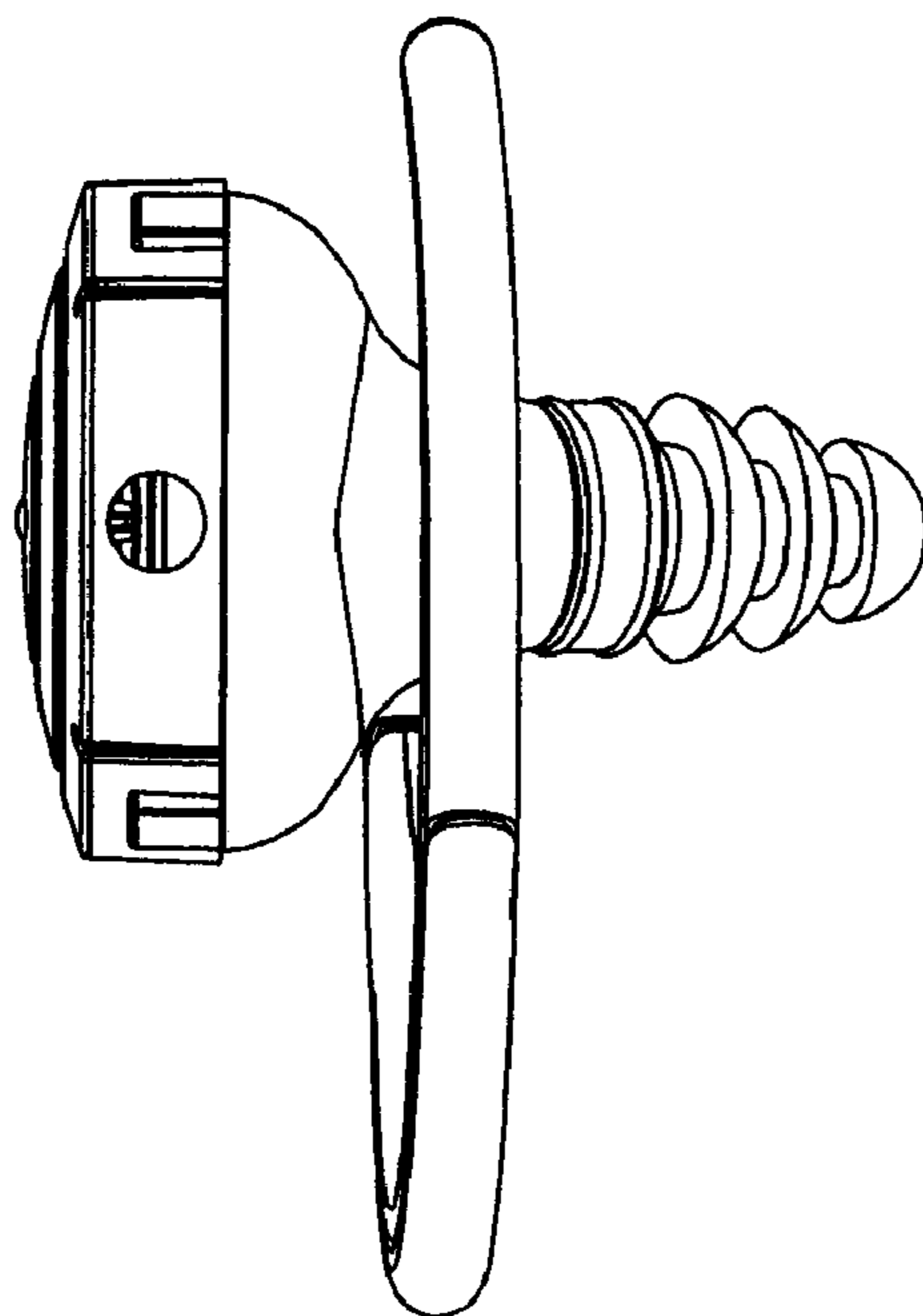


Fig. 09

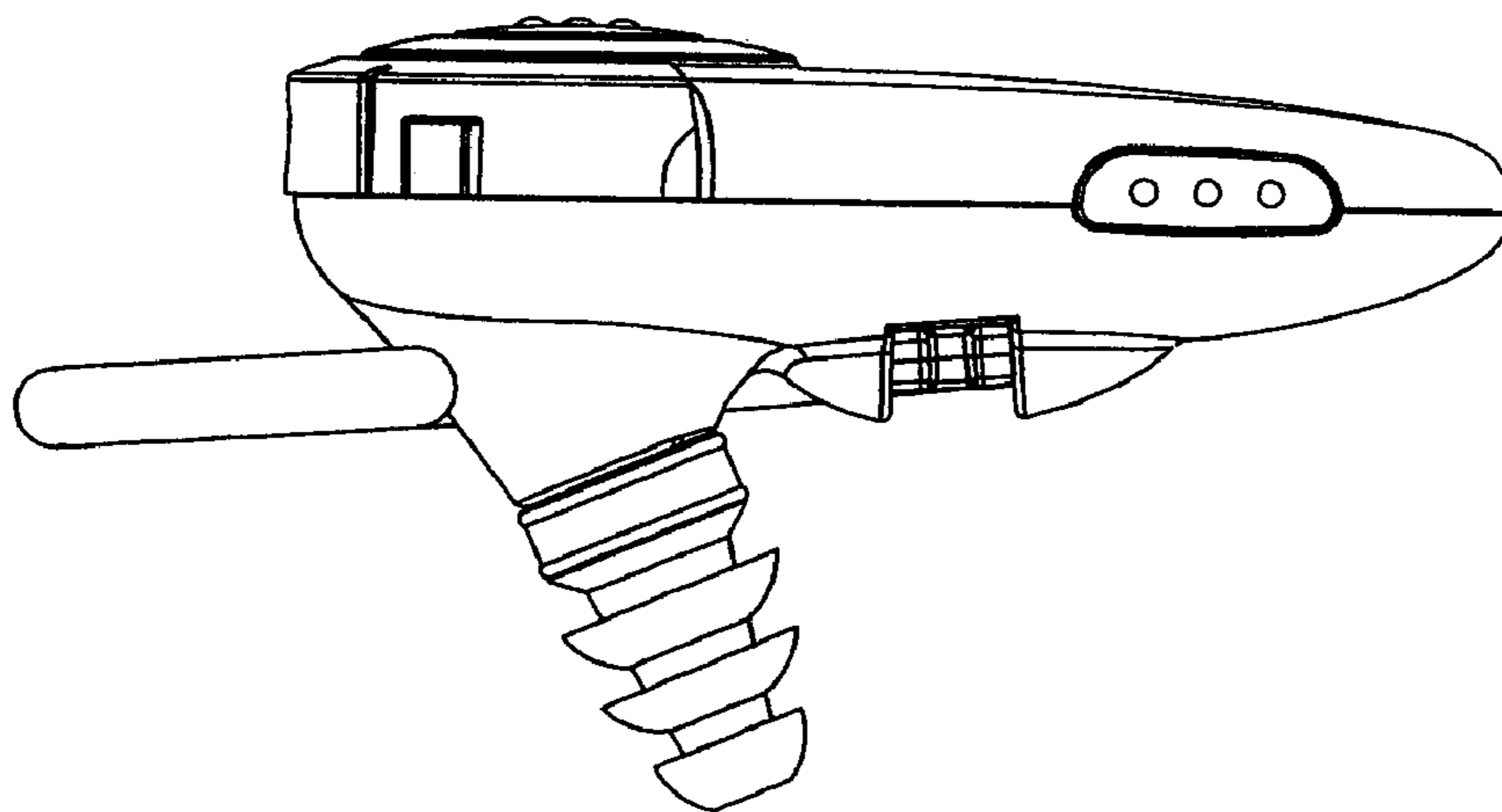


Fig. 10

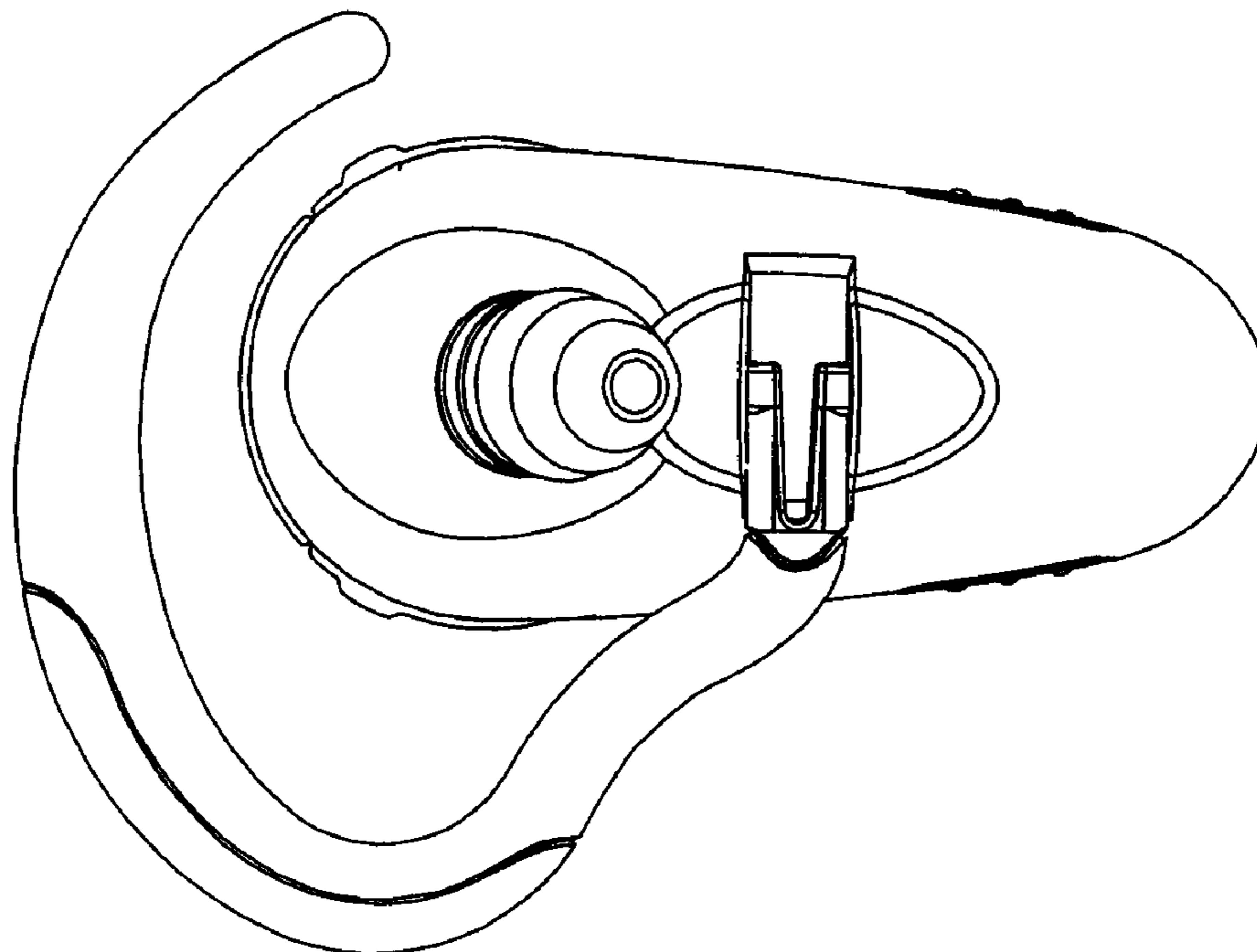


Fig. 11

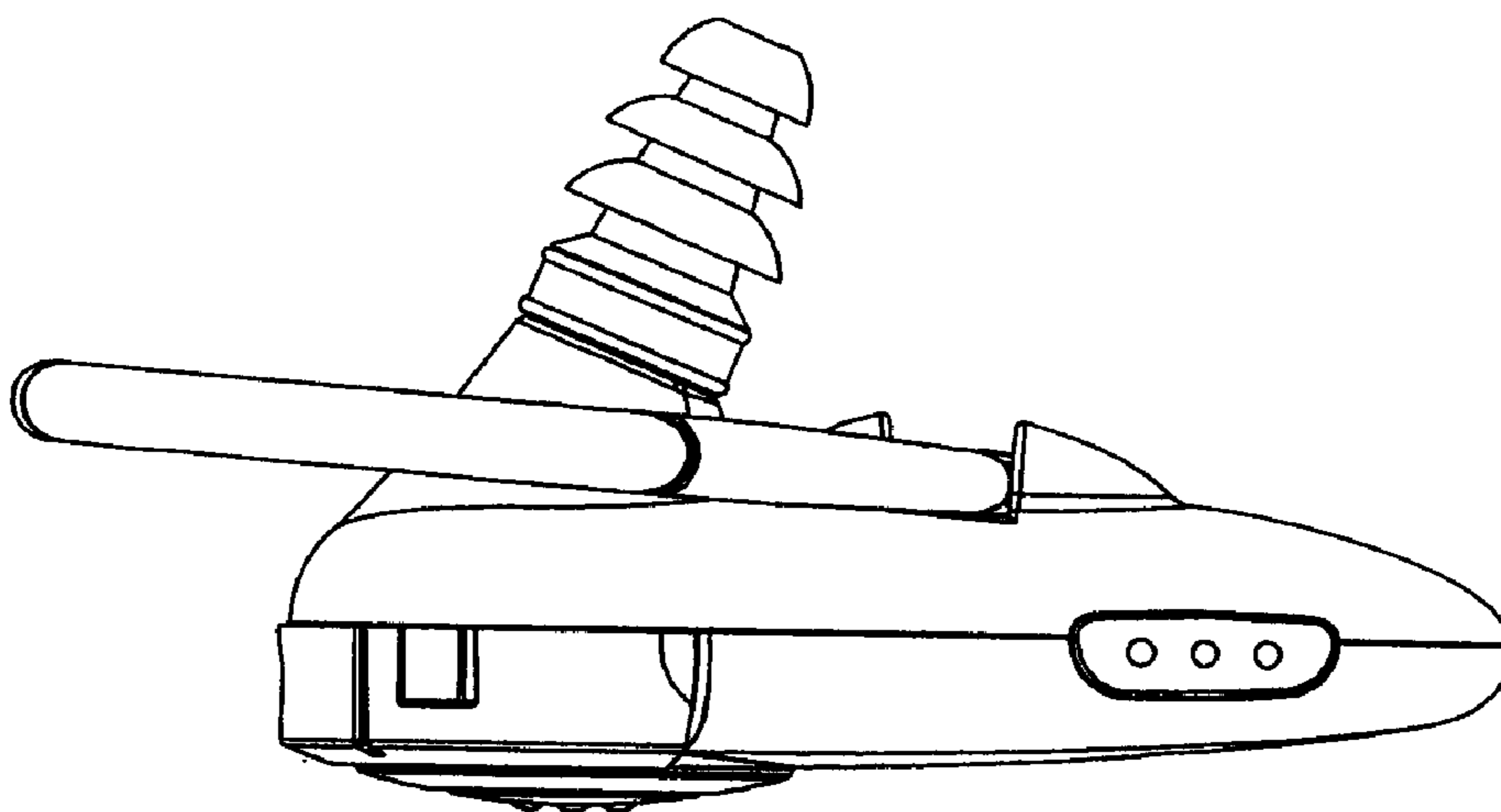


Fig. 12

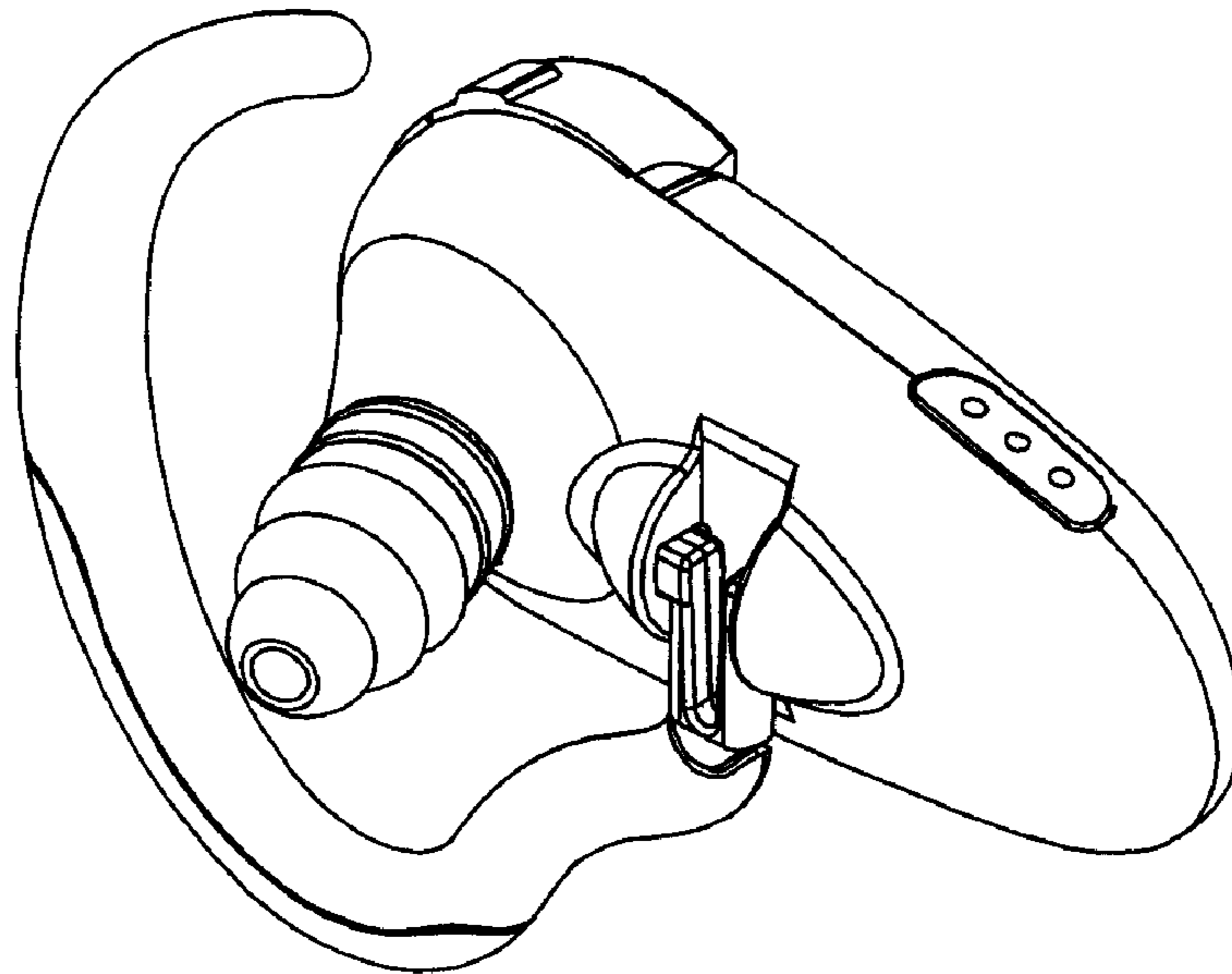


Fig. 13

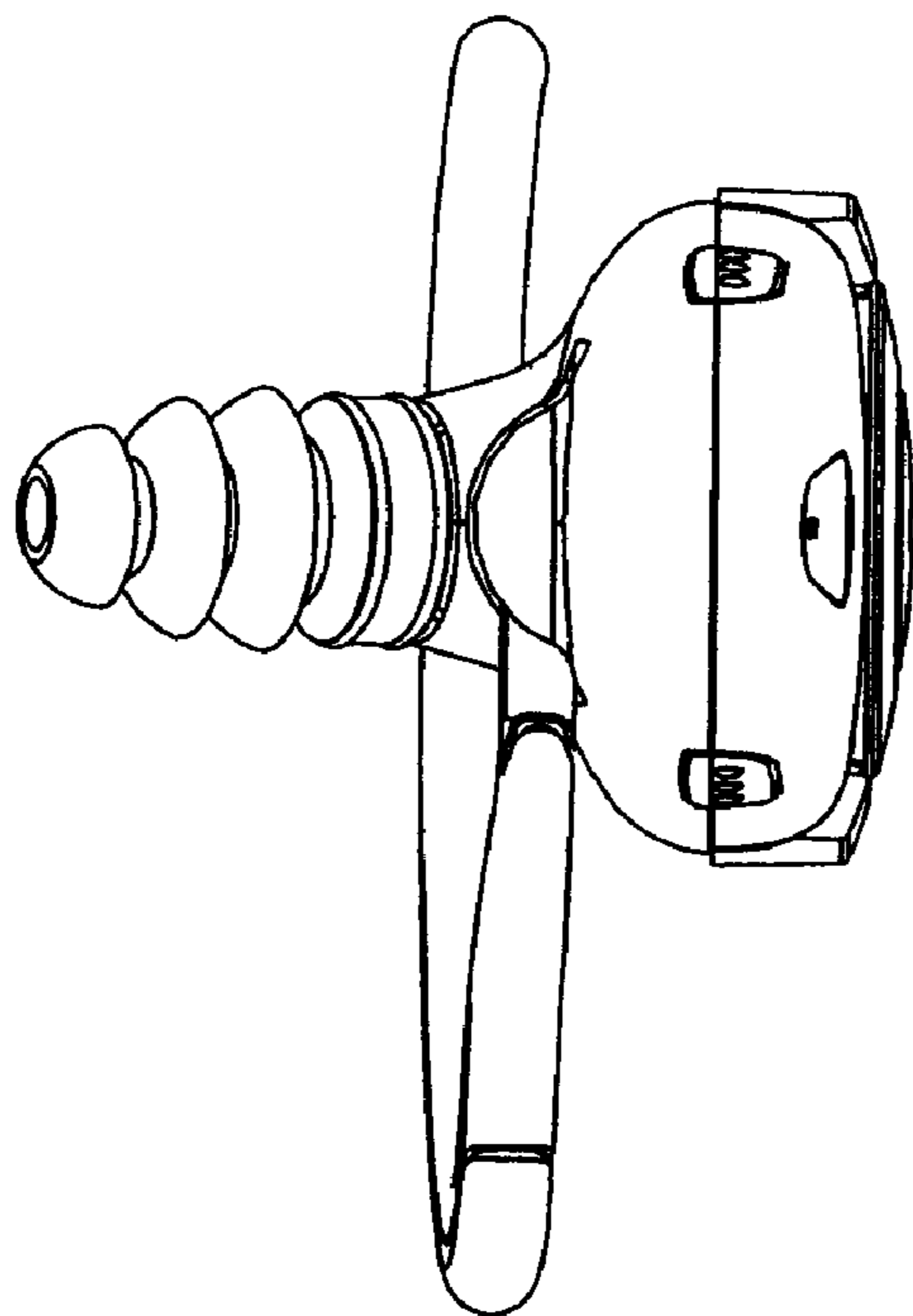


Fig. 14

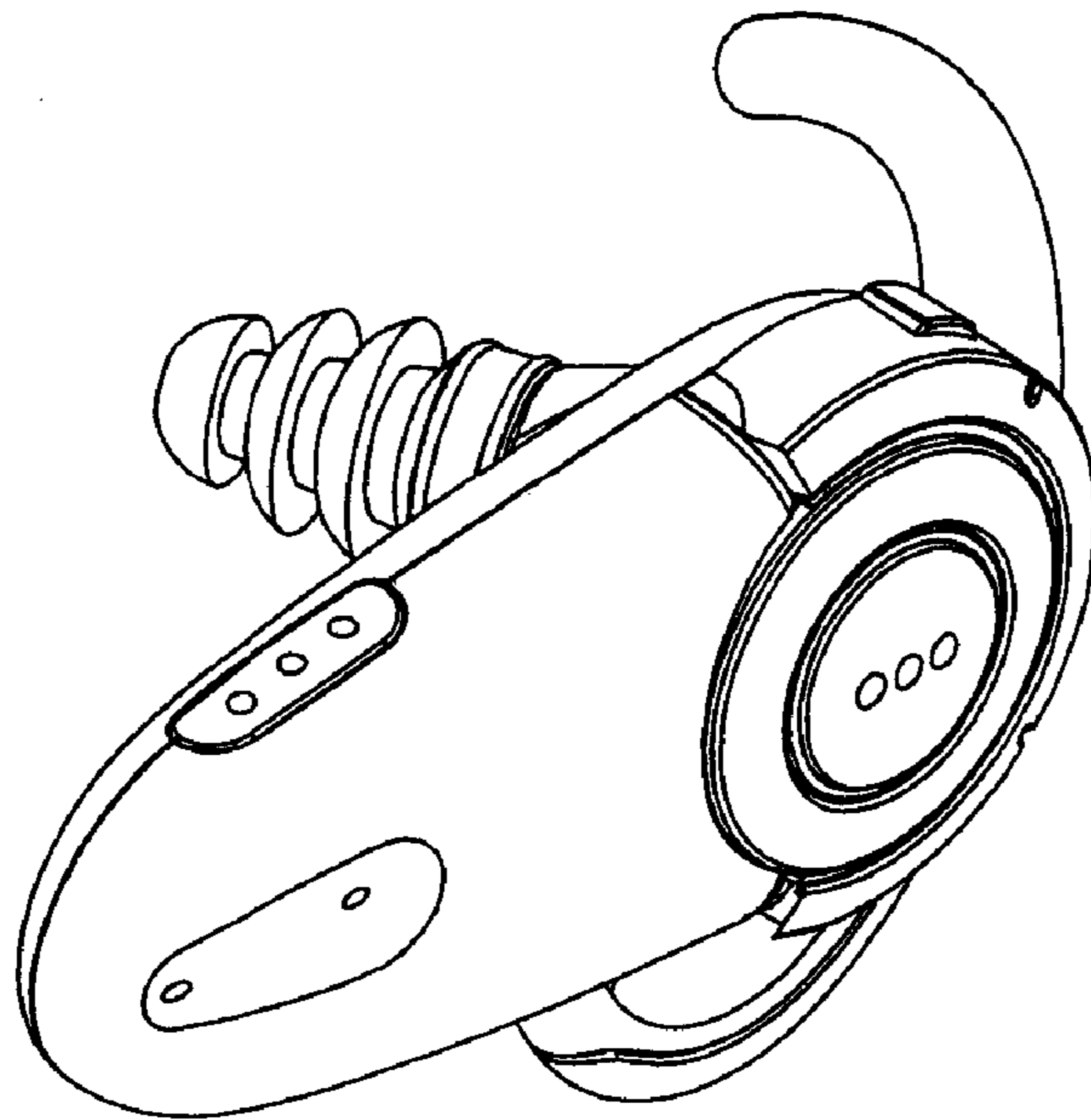


Fig. 15

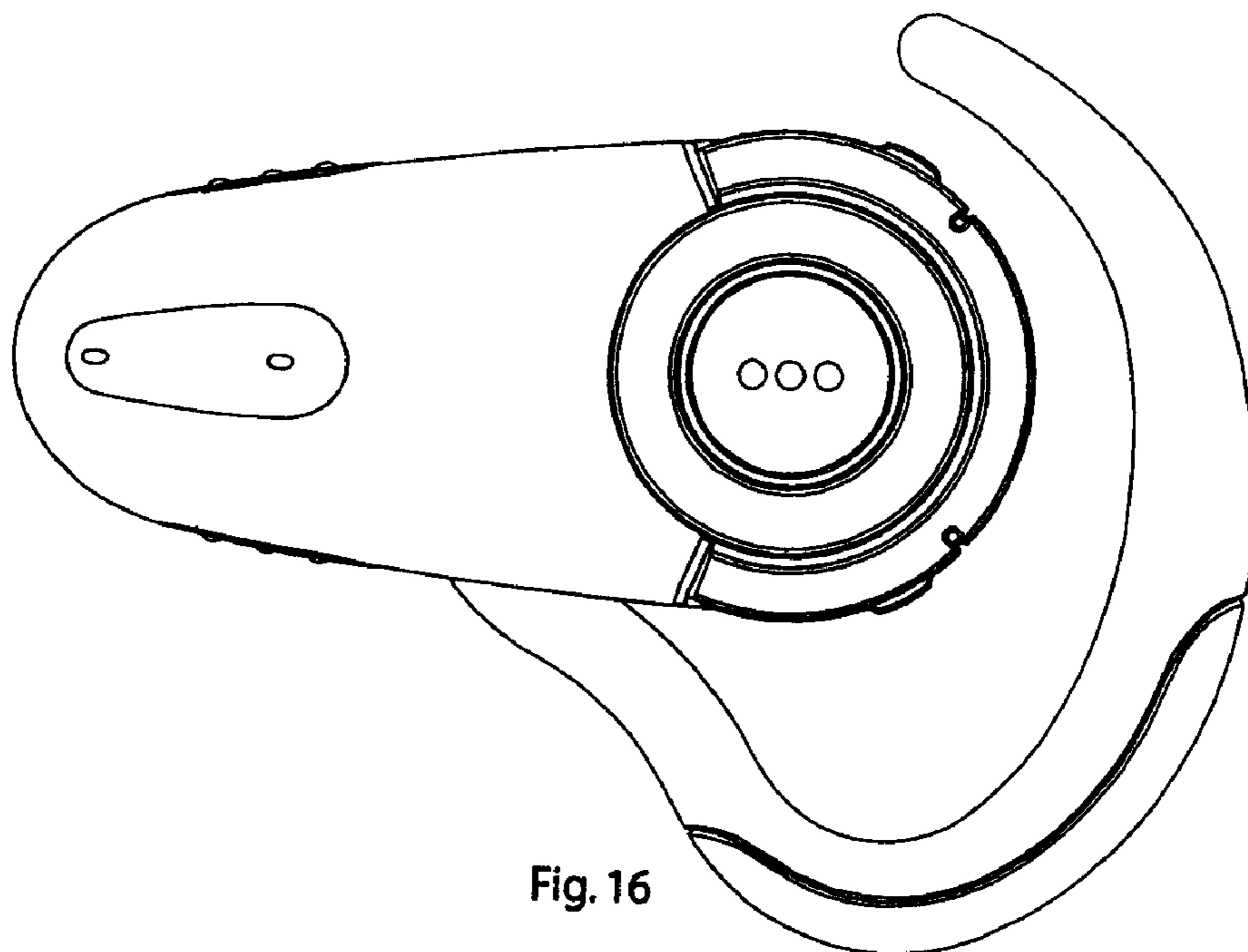


Fig. 16