



US00D538267S

(12) **United States Design Patent**
Christianson et al.

(10) **Patent No.:** **US D538,267 S**

(45) **Date of Patent:** **** Mar. 13, 2007**

(54) **MEDIA DEVICE**

(75) Inventors: **Tristan M. Christianson**, San Francisco, CA (US); **Mark Martin**, San Francisco, CA (US)

(73) Assignee: **Sharper Image Corporation**, San Francisco, CA (US)

(**) Term: **14 Years**

(21) Appl. No.: **29/238,968**

(22) Filed: **Sep. 22, 2005**

(51) **LOC (8) Cl.** **14-01**

(52) **U.S. Cl.** **D14/216; D14/496**

(58) **Field of Classification Search** D14/204,
D14/207, 209-216, 496, 168; 181/143-144,
181/147-148, 150, 157, 198-199, 151, 153;
381/300-302, 306, 333, 345, 361-364, 386-388,
381/332, 336

See application file for complete search history.

(56) **References Cited**

U.S. PATENT DOCUMENTS

D415,159 S * 10/1999 Nakano D14/215

D487,076 S * 2/2004 Nakane et al. D14/216
D487,276 S * 3/2004 Cobigo D14/496
D516,082 S * 2/2006 Lewis D14/496

* cited by examiner

Primary Examiner—Nanda Bondade

(74) *Attorney, Agent, or Firm*—Bell, Boyd & Lloyd LLP

(57) **CLAIM**

I claim the ornamental design for a media device, as shown and described herein.

DESCRIPTION

FIG. 1 is a front perspective view of the present media device;

FIG. 2 is a rear perspective view thereof;

FIG. 3 is a rear view of thereof;

FIG. 4 is a front view of thereof;

FIG. 5 is a top view of thereof;

FIG. 6 is a bottom view of thereof; and,

FIG. 7 is a left side view thereof, wherein the right side view is a mirror image of this view.

The broken line showing on the drawing disclosure is for illustrative purposes only and forms no part of the claimed design.

1 Claim, 4 Drawing Sheets

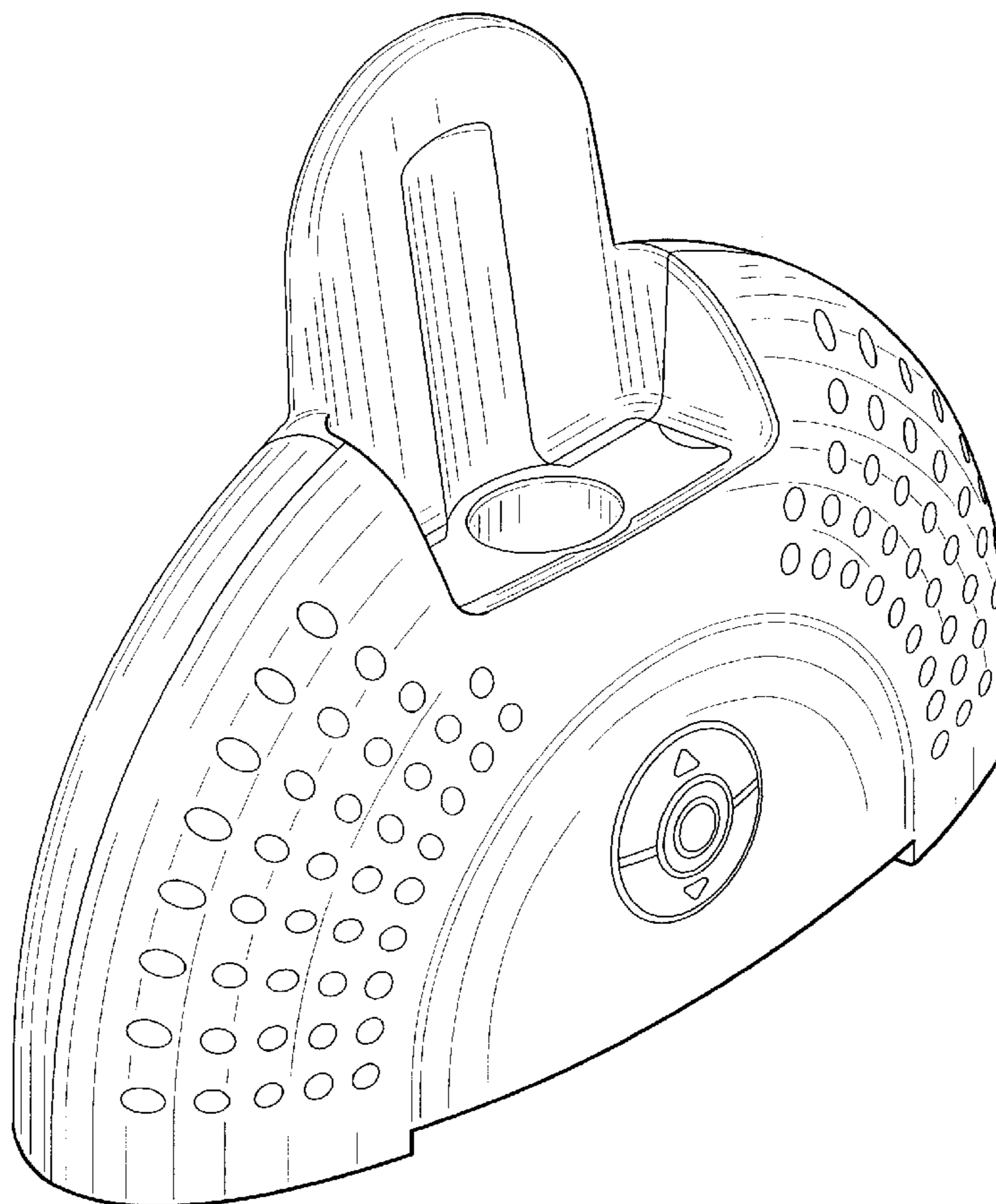


FIG.1

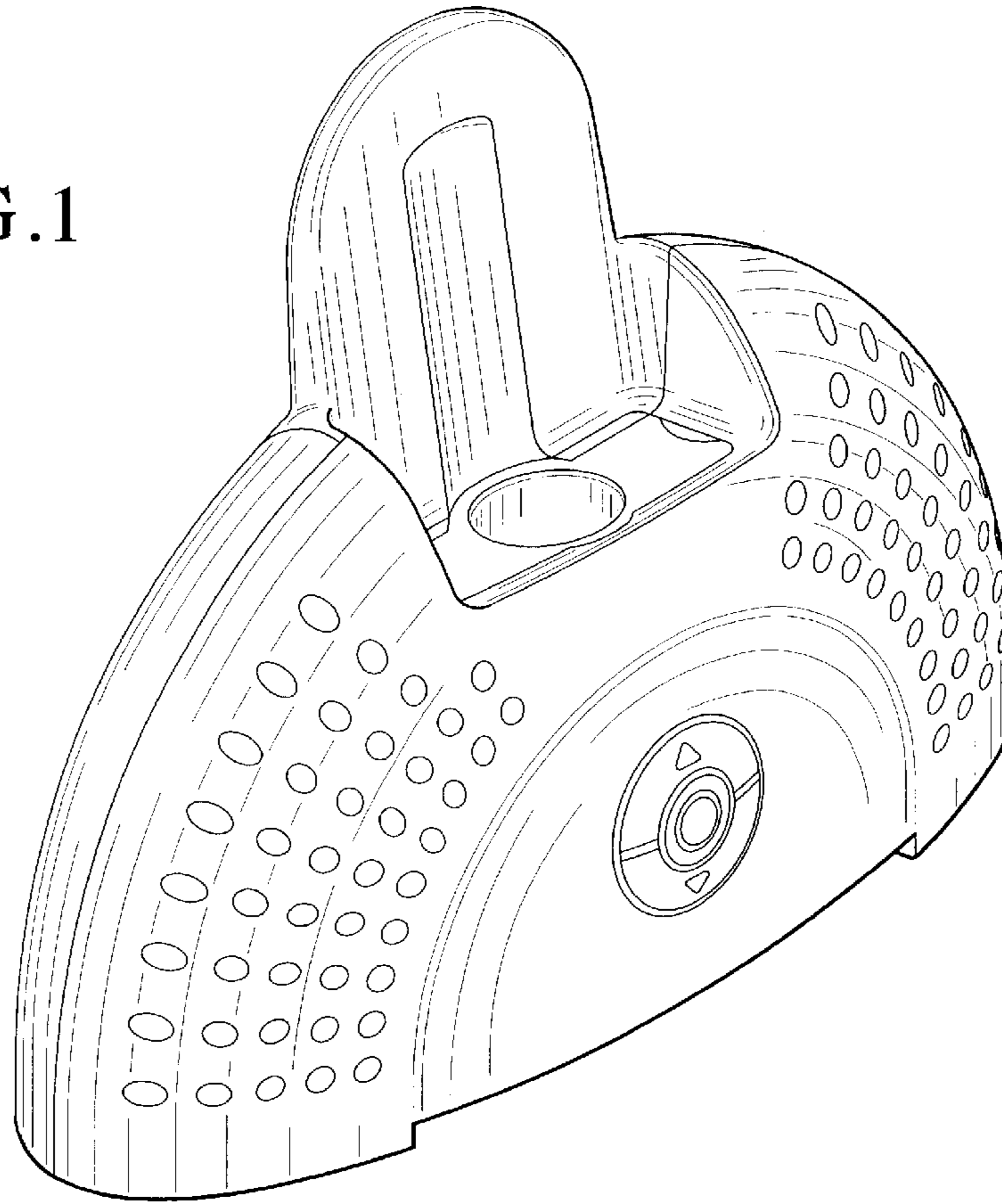


FIG.2

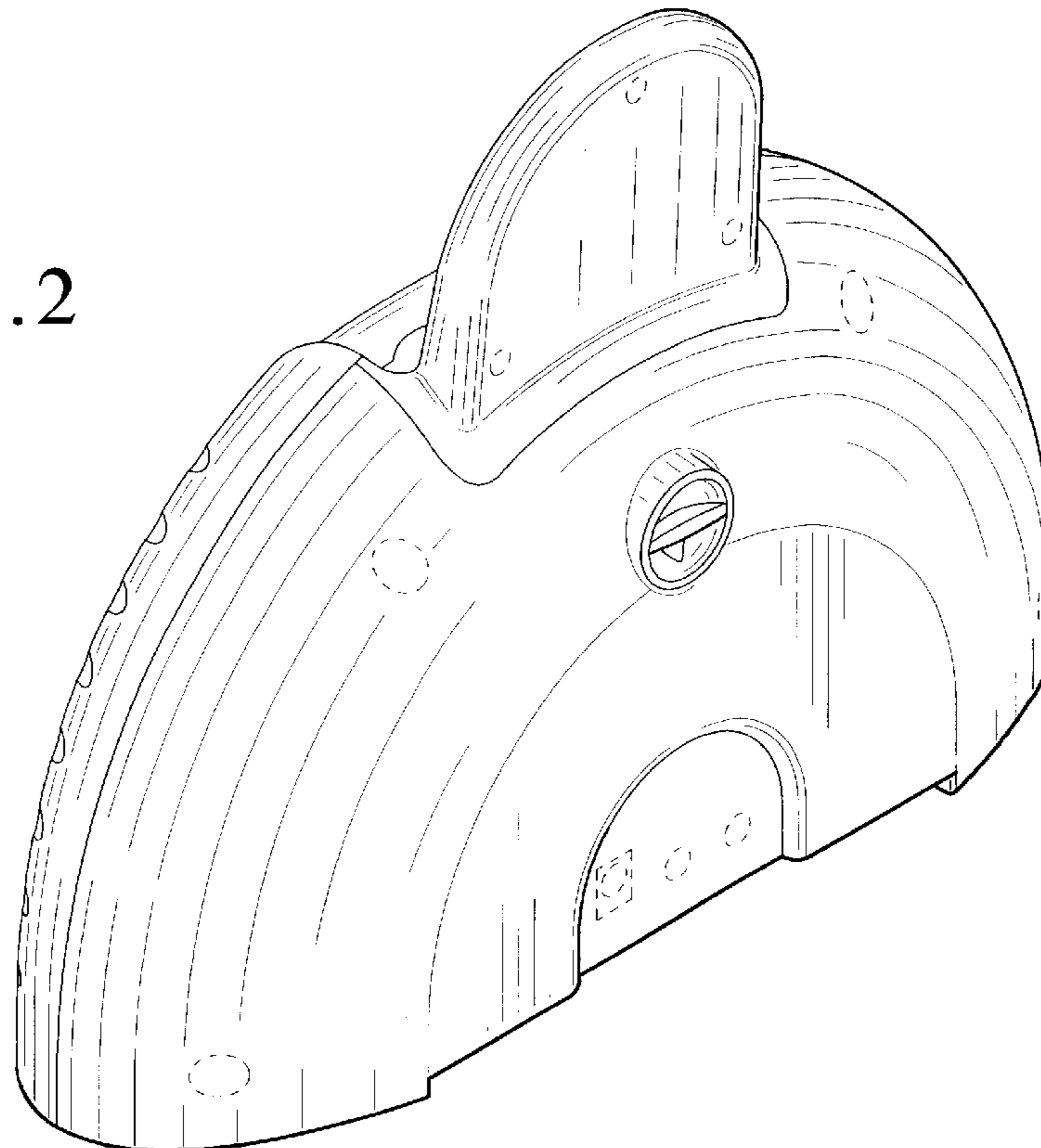


FIG.3

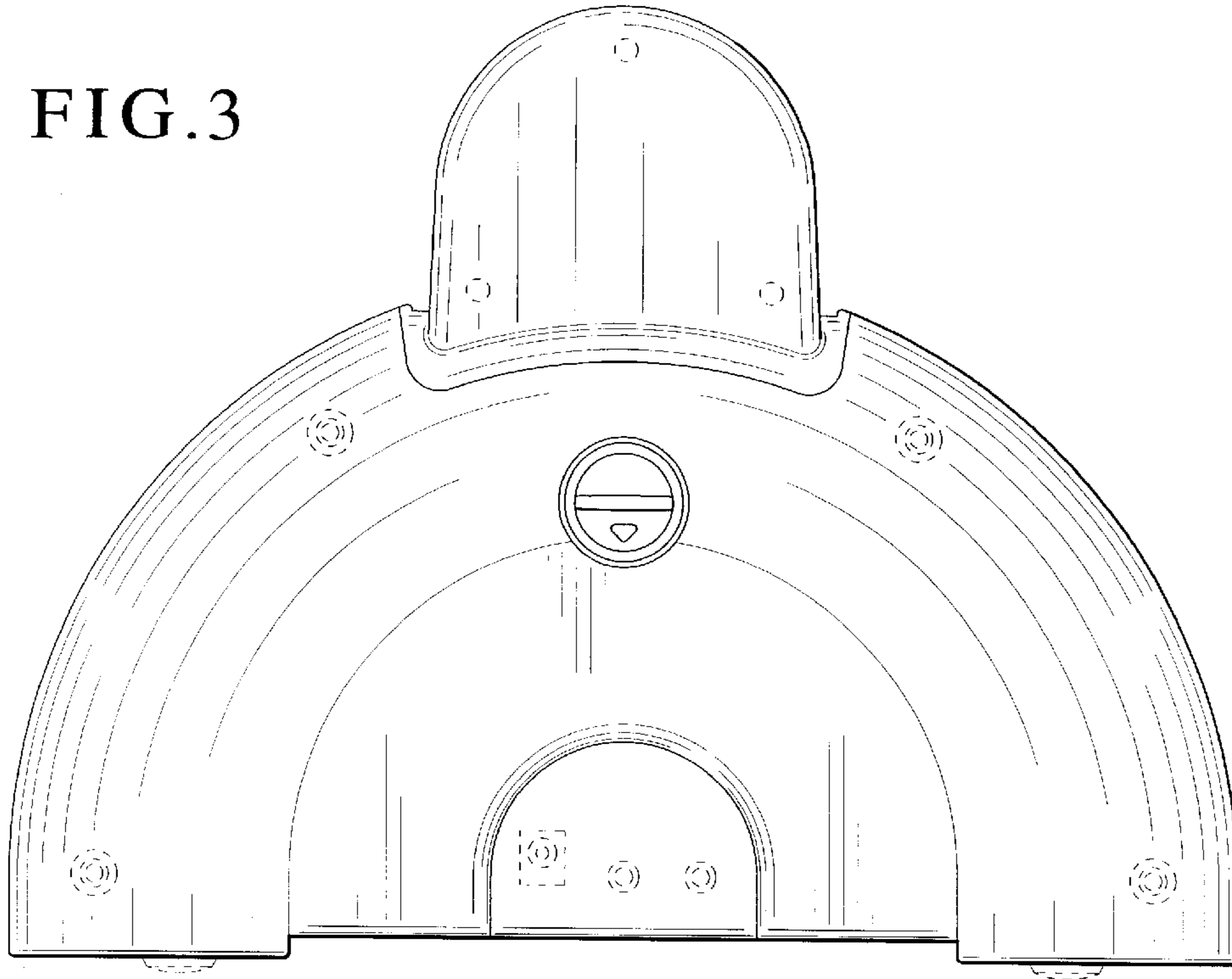


FIG.4

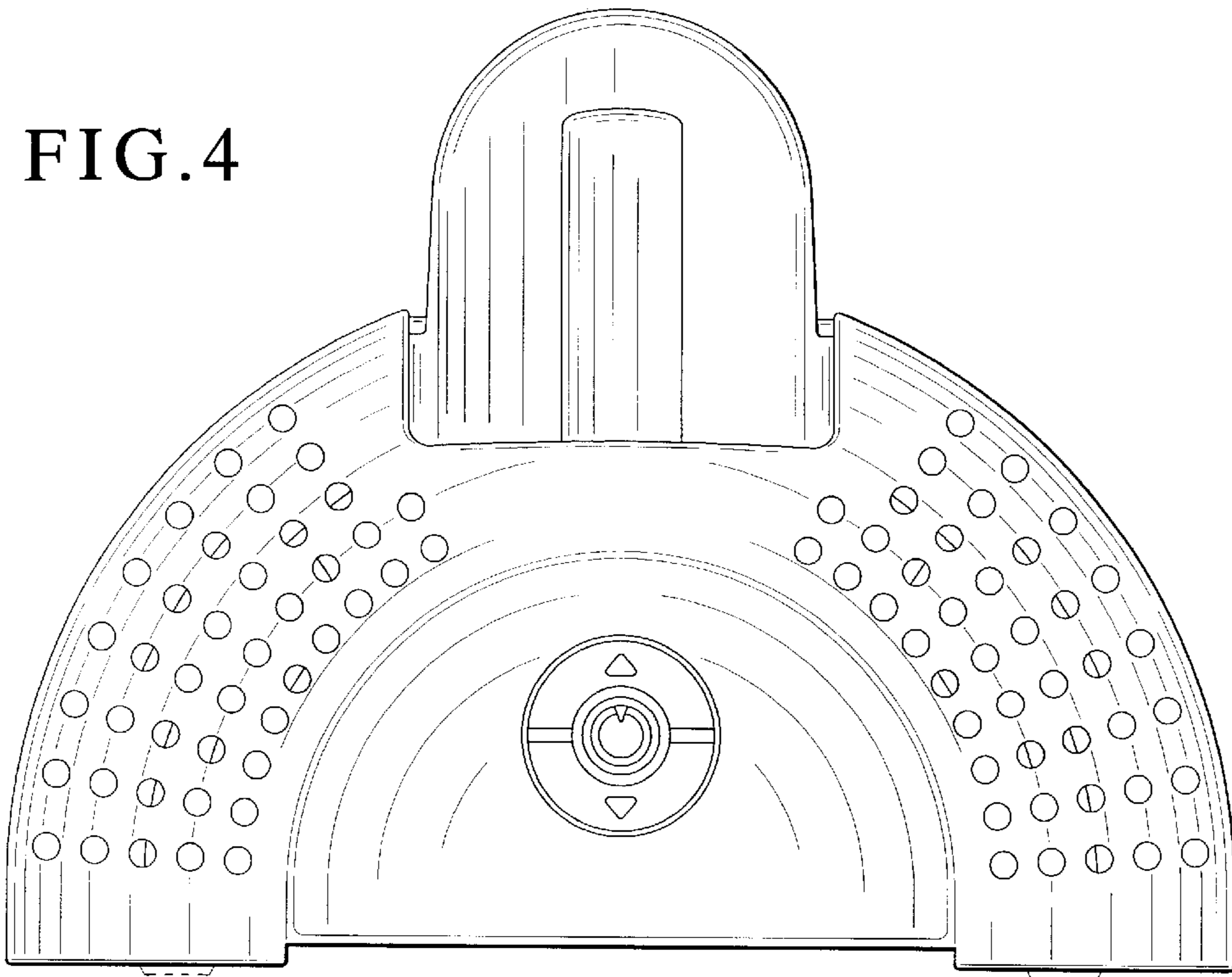


FIG.5

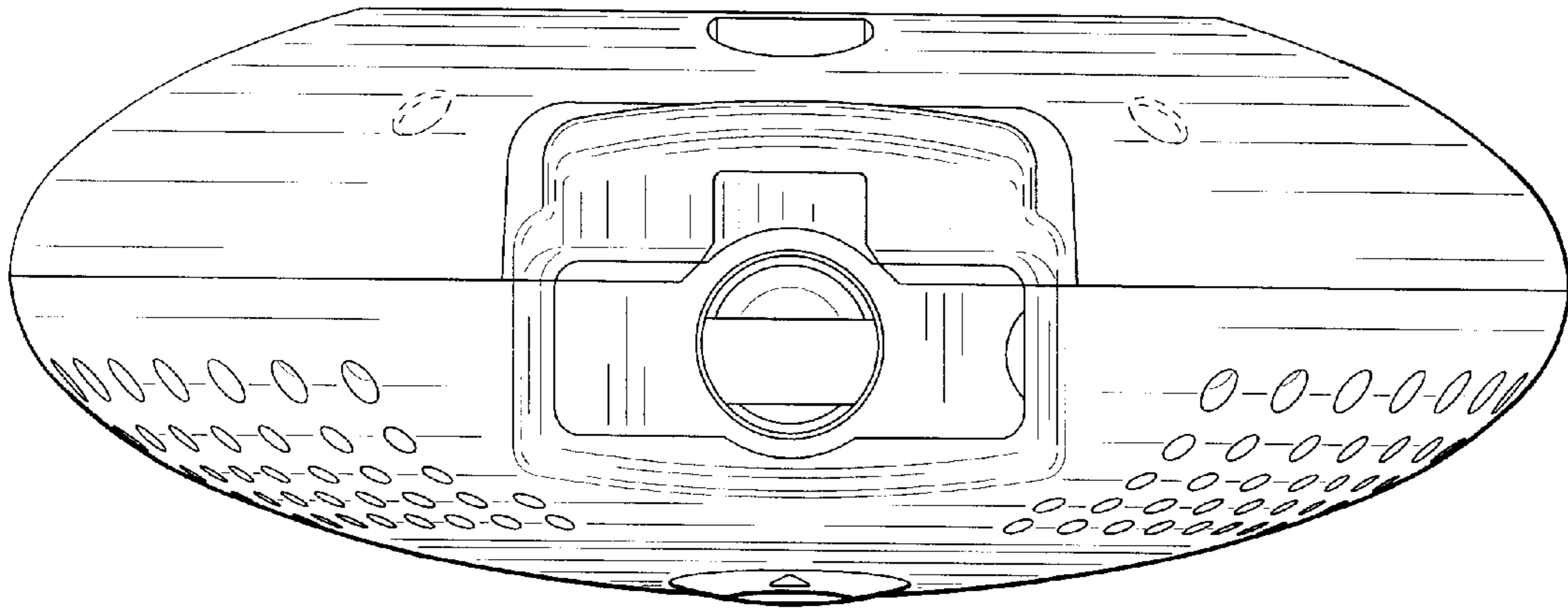


FIG.6

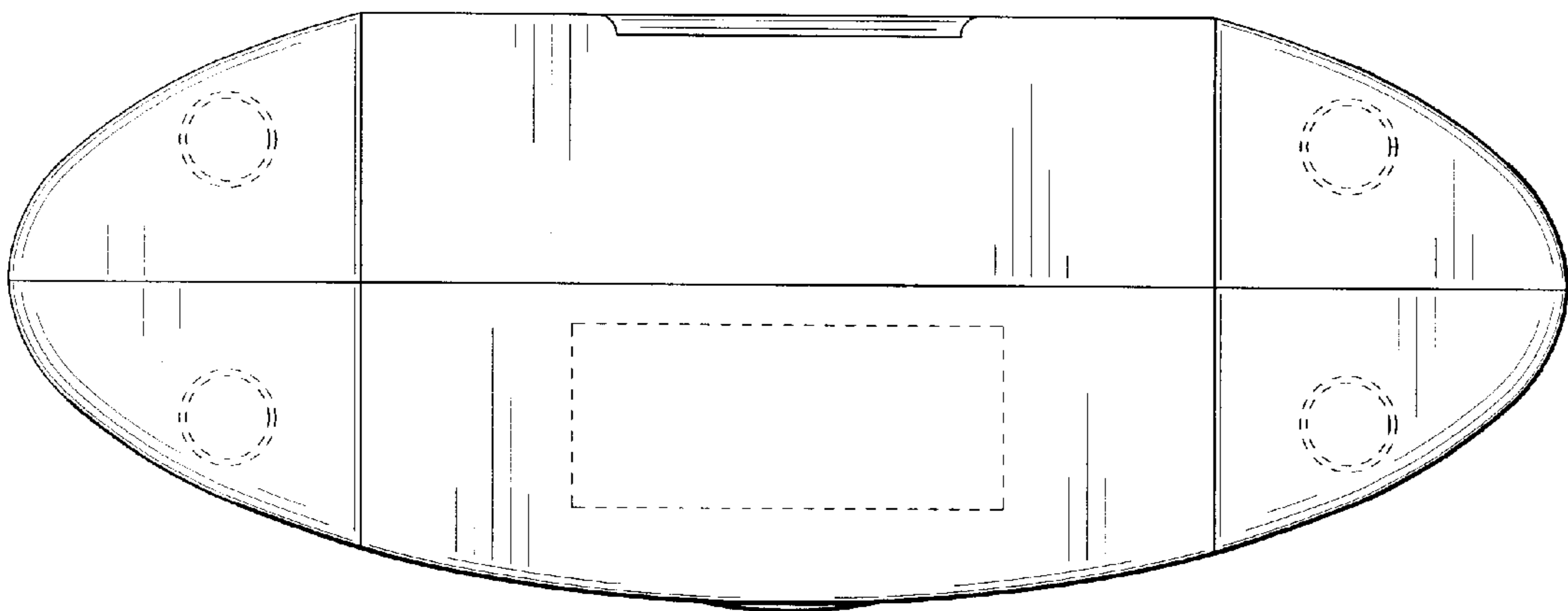


FIG. 7

