



US00D538265S

(12) **United States Design Patent**  
**Lee**

(10) **Patent No.:** **US D538,265 S**  
(45) **Date of Patent:** **\*\* Mar. 13, 2007**

(54) **SPEAKER**

(75) Inventor: **Johann Lee**, Maspeth, NY (US)

(73) Assignee: **Coby Electronics Corporation**,  
Maspeth, NY (US)

(\*\*) Term: **14 Years**

(21) Appl. No.: **29/242,765**

(22) Filed: **Nov. 15, 2005**

(51) **LOC (8) Cl.** ..... **14-01**

(52) **U.S. Cl.** ..... **D14/214**

(58) **Field of Classification Search** ..... D14/204,  
D14/207, 209–216, 356; 181/143–144, 147–148,  
181/150, 157, 198–199, 151, 153; 381/300–302,  
381/306, 333, 345, 361–364, 386–388, 332,  
381/336

See application file for complete search history.

(56) **References Cited**

**U.S. PATENT DOCUMENTS**

D421,609 S \* 3/2000 Warren ..... D14/214  
D464,640 S \* 10/2002 Mayette et al. .... D14/211  
D488,459 S \* 4/2004 Ota ..... D14/211  
D498,230 S \* 11/2004 Tejima ..... D14/214

\* cited by examiner

*Primary Examiner*—Nanda Bondade

(74) *Attorney, Agent, or Firm*—Mayer, Brown, Rowe &  
Maw LLP

(57) **CLAIM**

The ornamental design of a speaker, as shown and described.

**DESCRIPTION**

A portion of this patent document contains material which is subjected to copyright protection. The copyright owner has no objection to the facsimile reproduction by anyone of the patent documents or the patent disclosure, as it appears in the Patent and Trademark Office patent files or records, but otherwise reserves all copyrights whatsoever.

FIG. 1 is a perspective view of a speaker showing my new design;

FIG. 2 is front elevational view thereof;

FIG. 3 is a side elevational view thereof;

FIG. 4 is a top plan view thereof;

FIG. 5 is a bottom plan view thereof;

FIG. 6 is a rear elevational view thereof;

FIG. 7 is a perspective view of a second embodiment of FIG. 1;

FIG. 8 is a front elevational view of FIG. 7;

FIG. 9 is a side elevational view of FIG. 7;

FIG. 10 is a top plan view of FIG. 7;

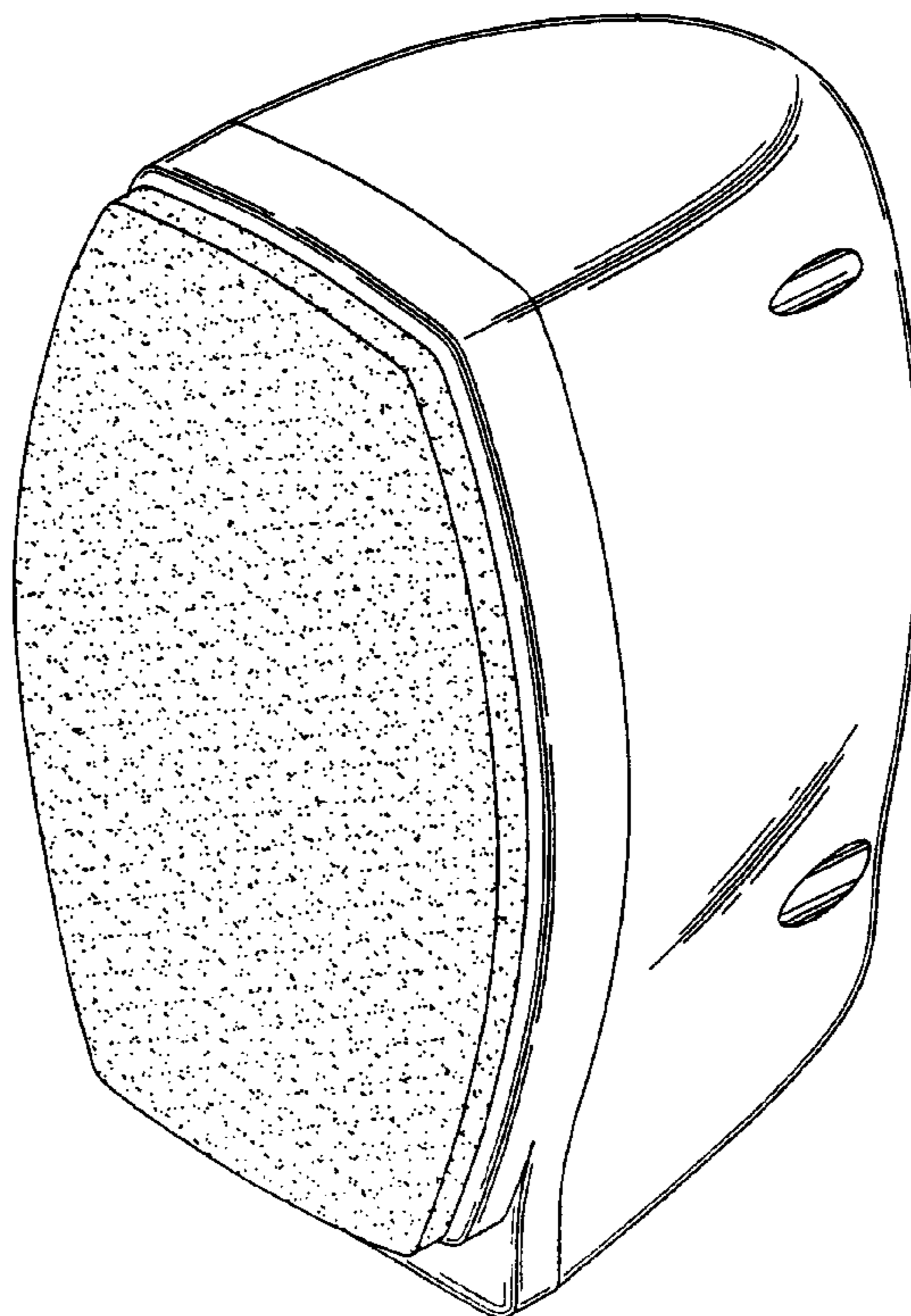
FIG. 11 is a top plan view of FIG. 7;

FIG. 12 is a rear elevational view of FIG. 7; and,

FIG. 13 is a reduced perspective view of FIG. 1.

The broken line showing on the drawing disclosure is for illustrative purposes only and forms no part of the claimed design.

**1 Claim, 7 Drawing Sheets**



*FIG. 1*

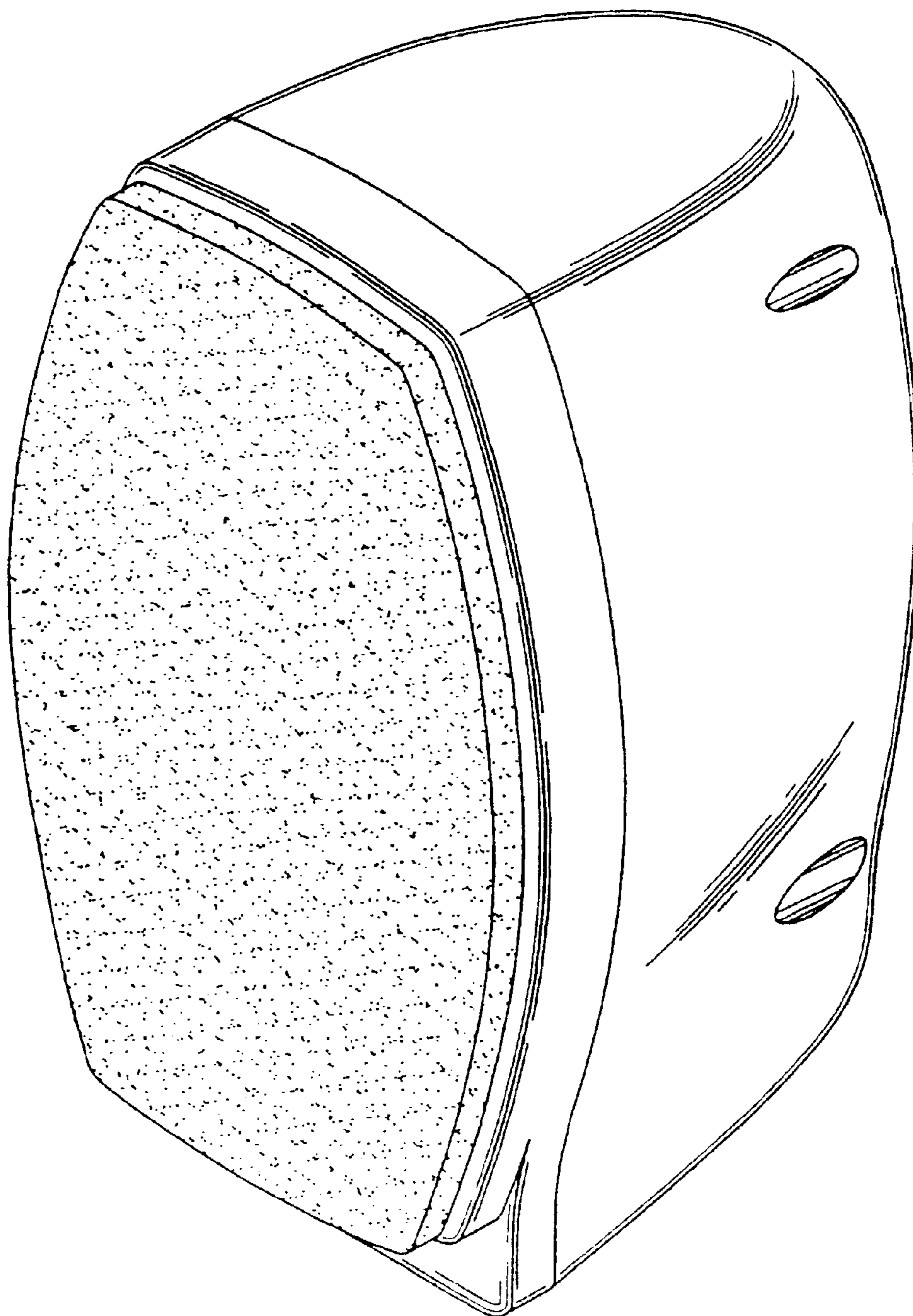


FIG. 3

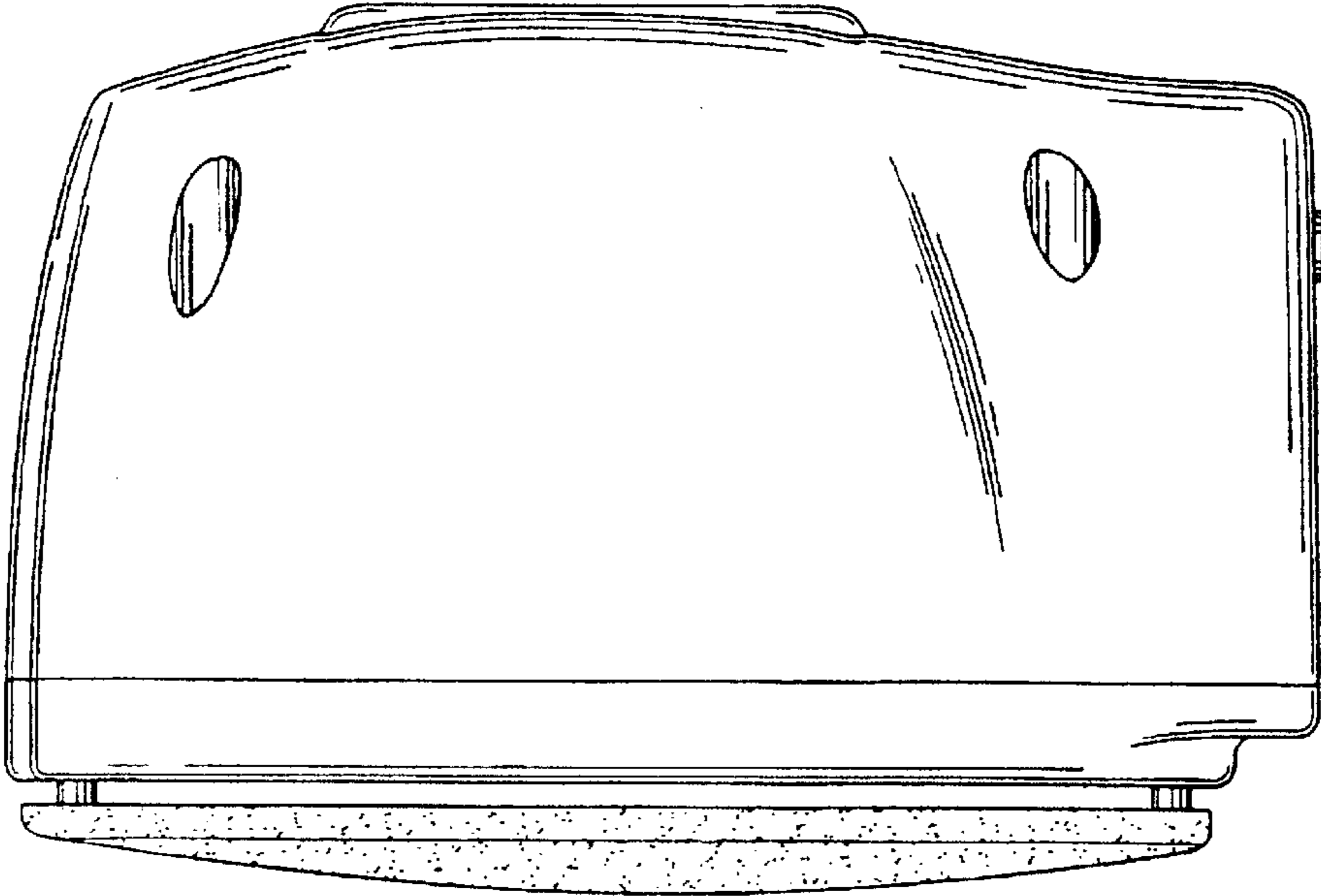
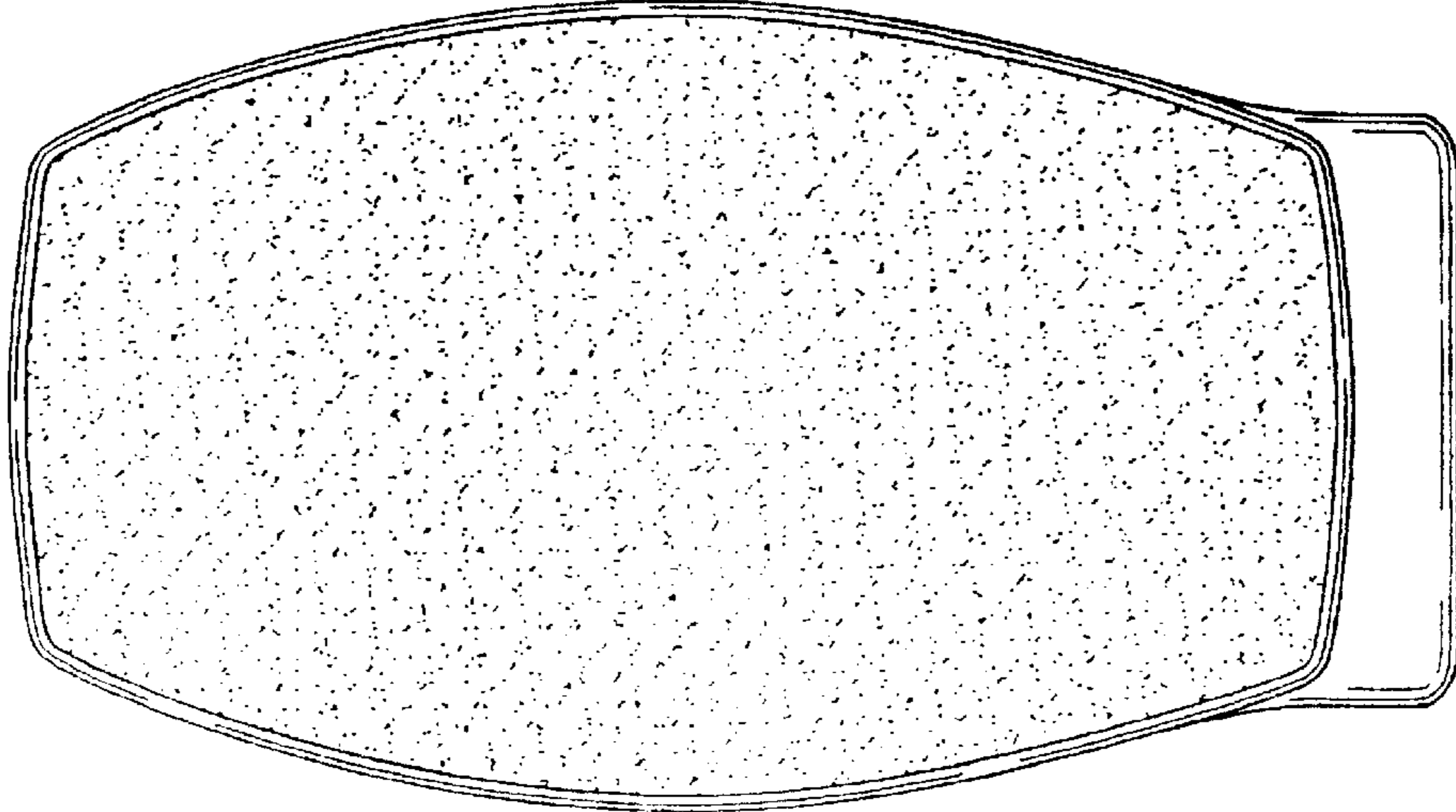
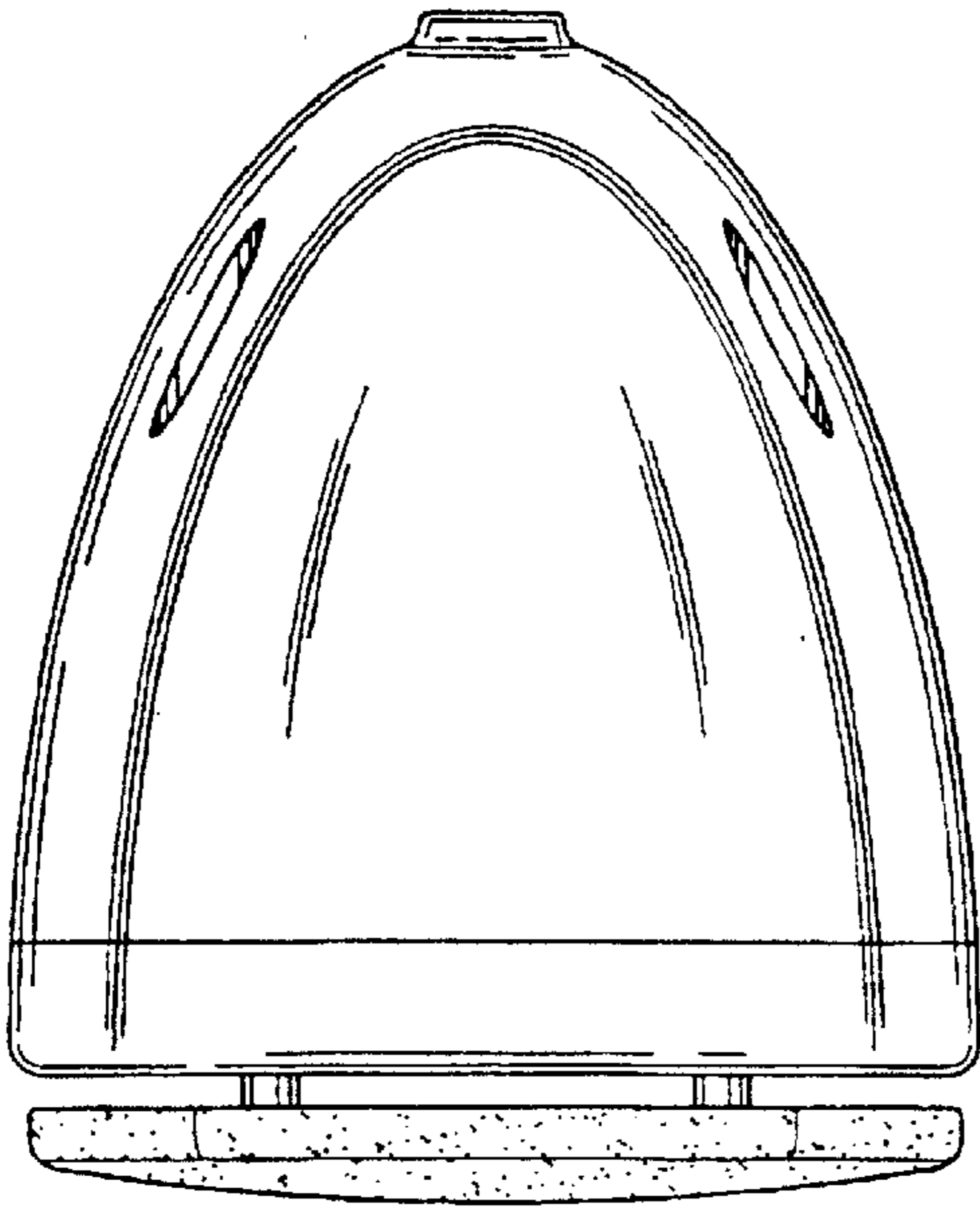


FIG. 2

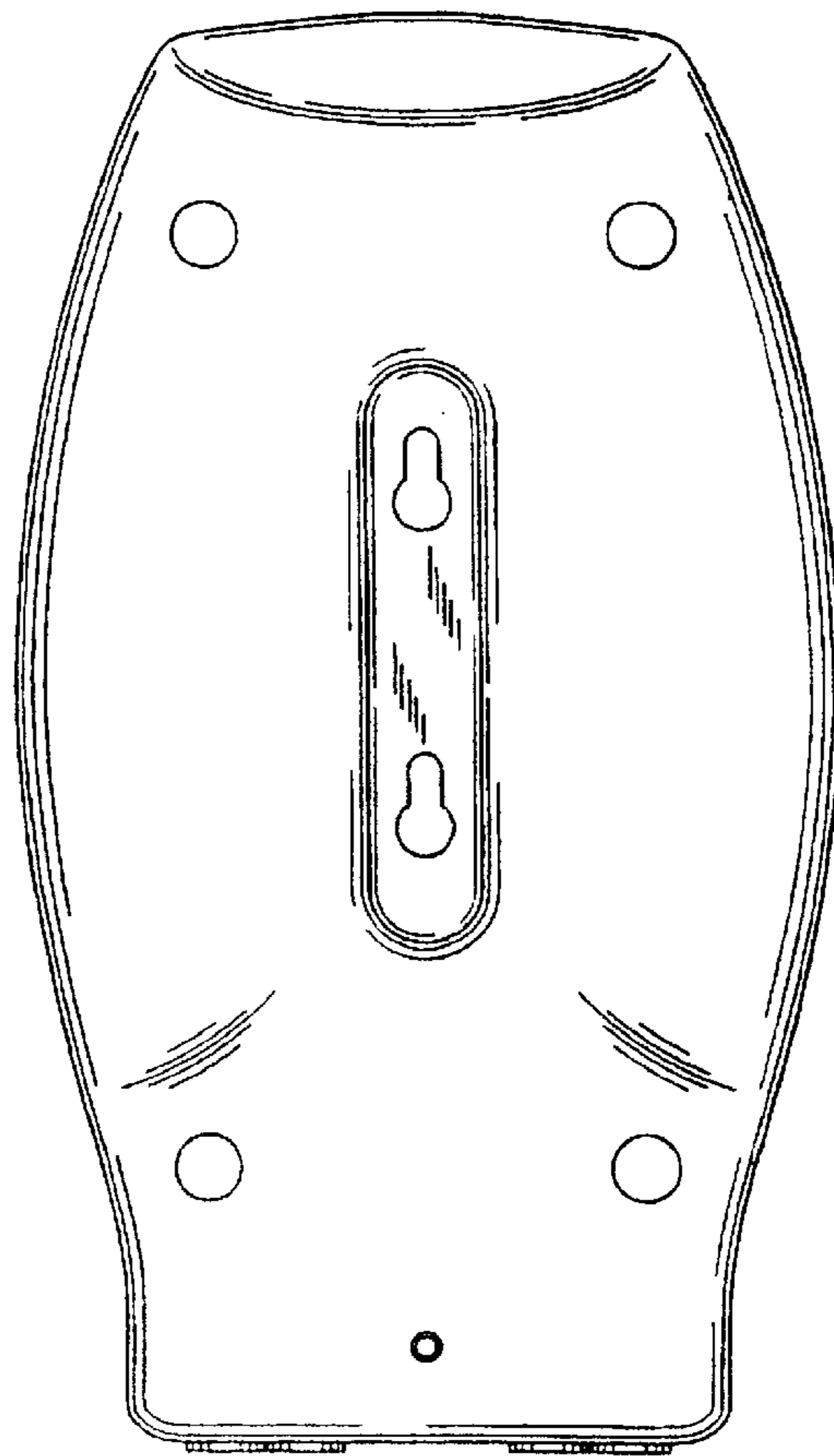




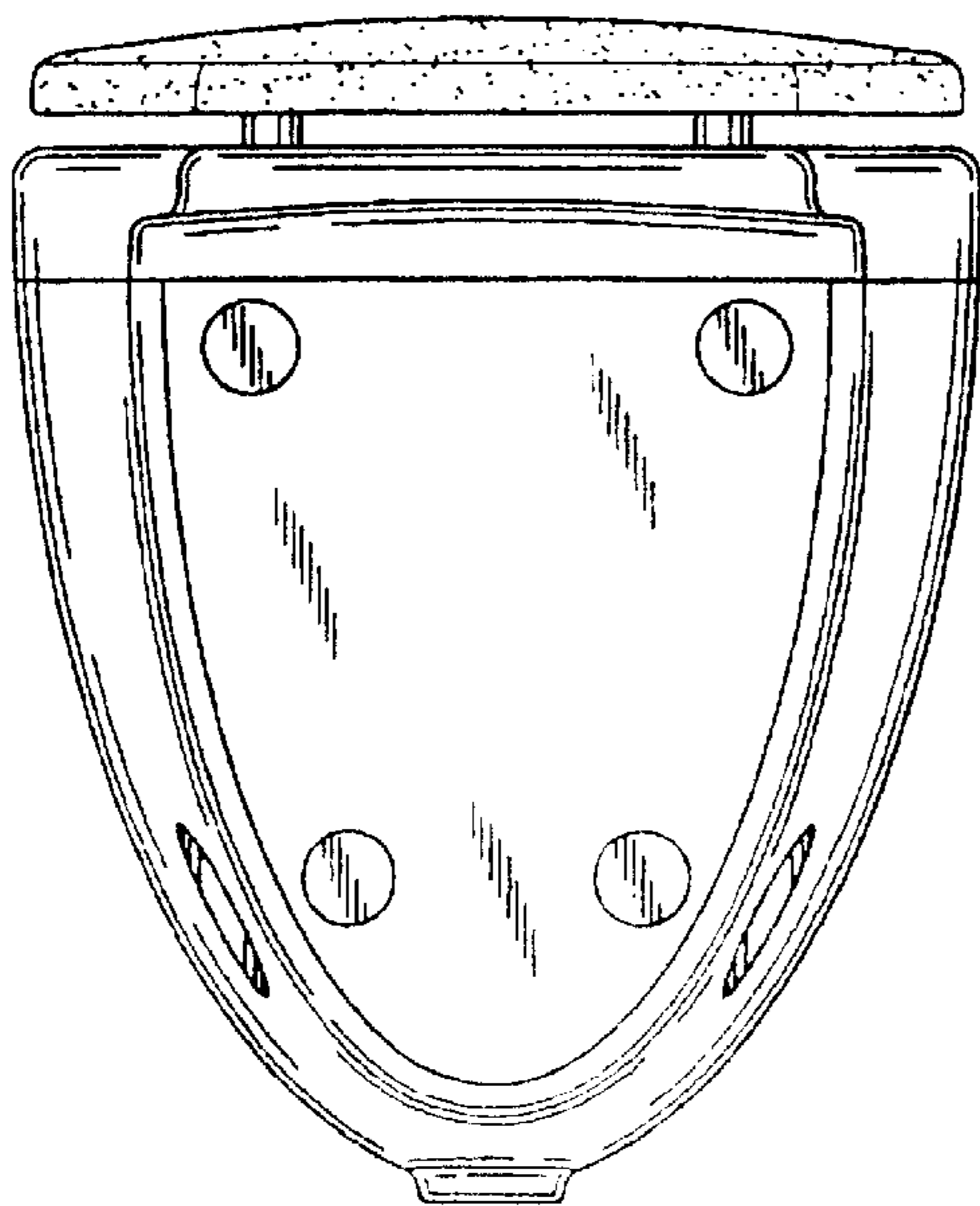
*FIG. 4*



*FIG. 6*



*FIG. 5*



*FIG. 7*

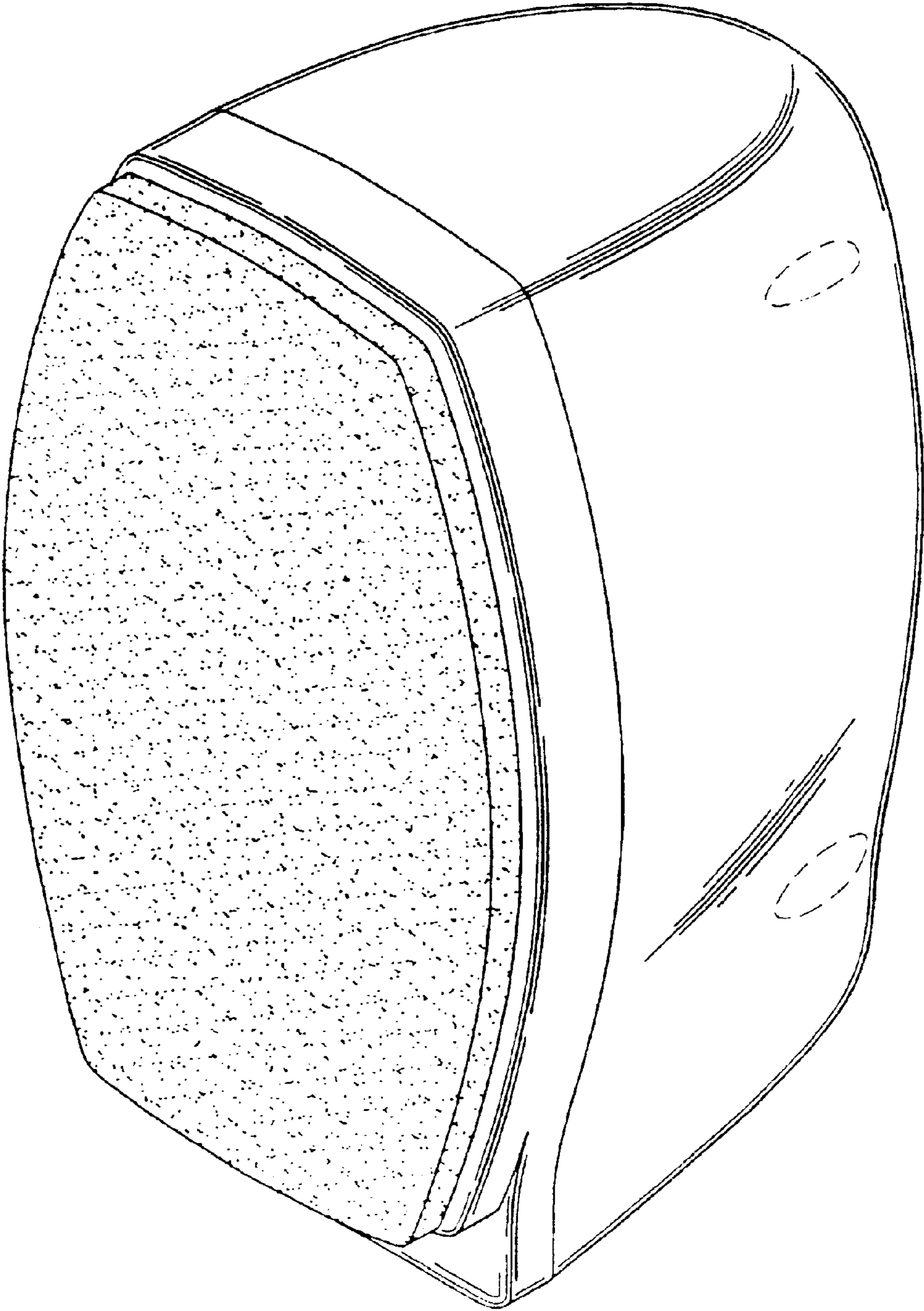


FIG. 9

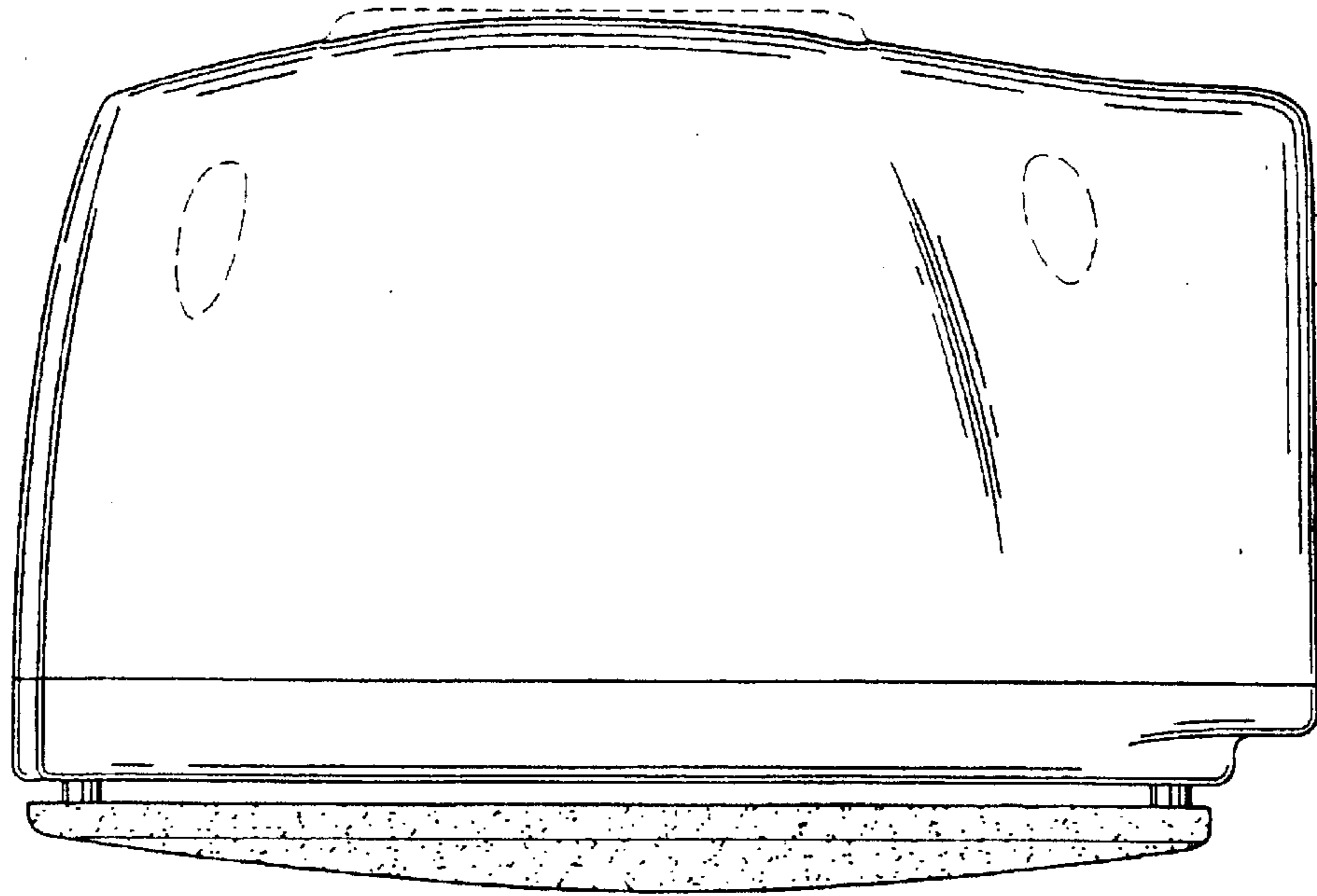
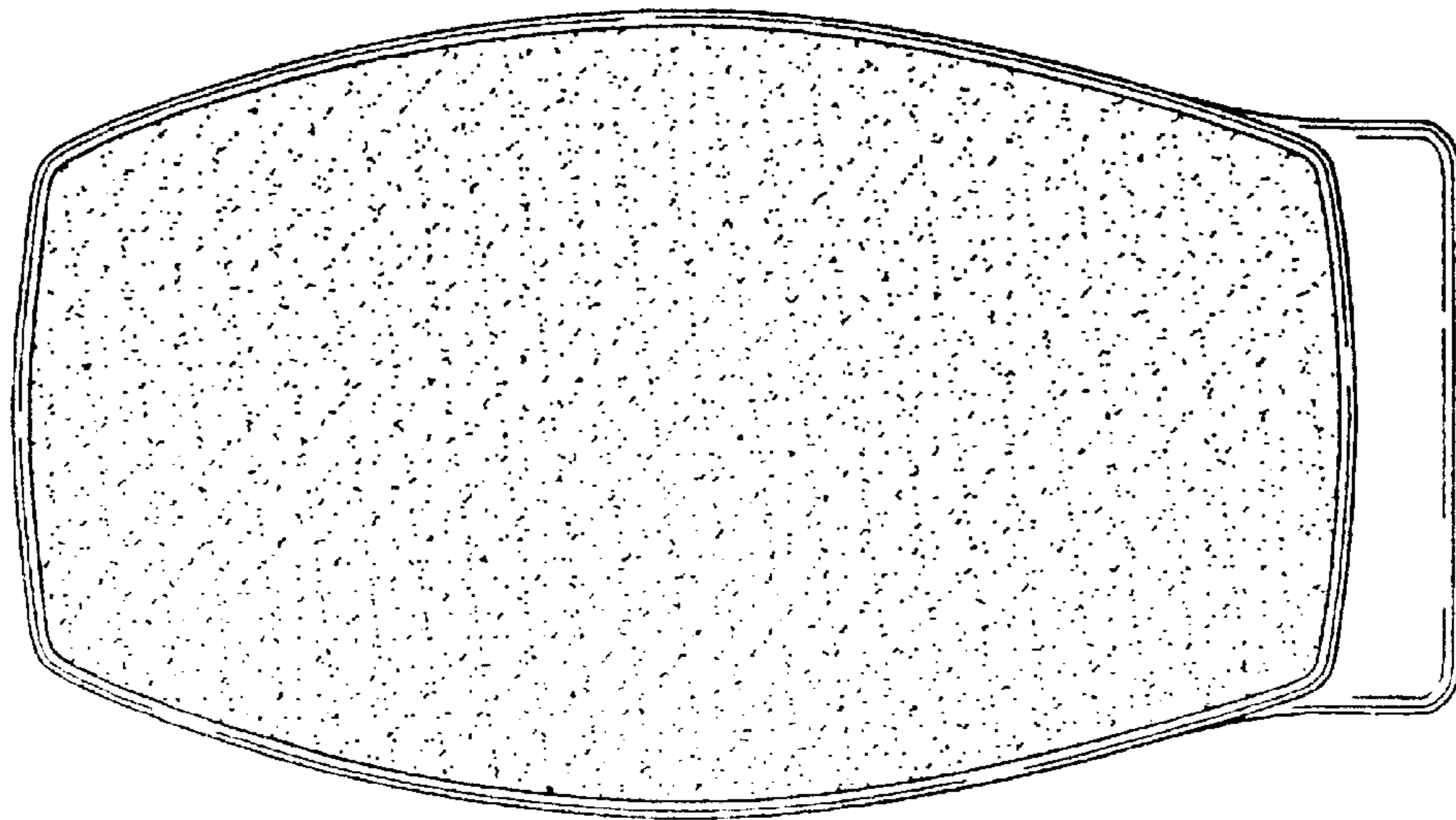
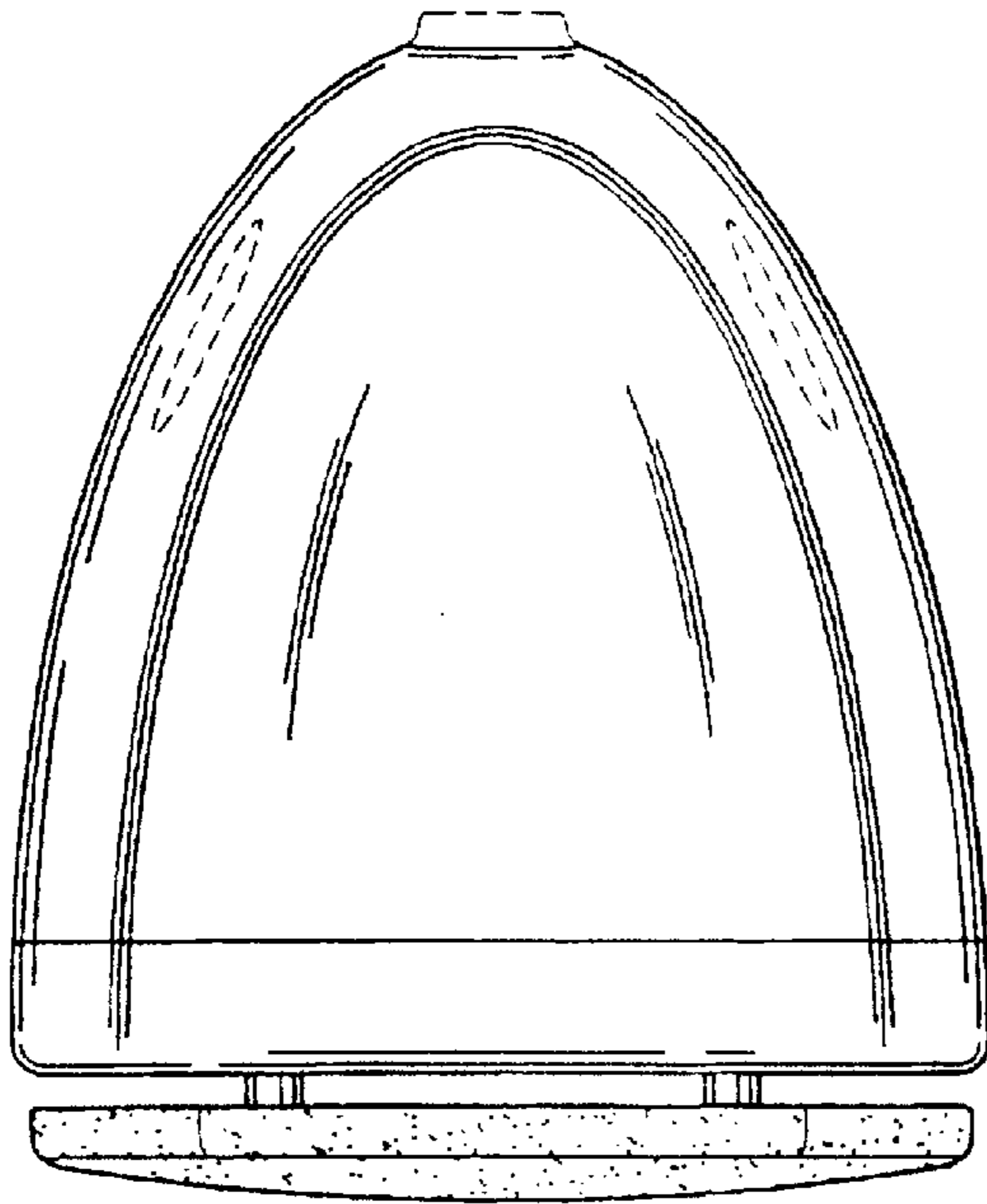


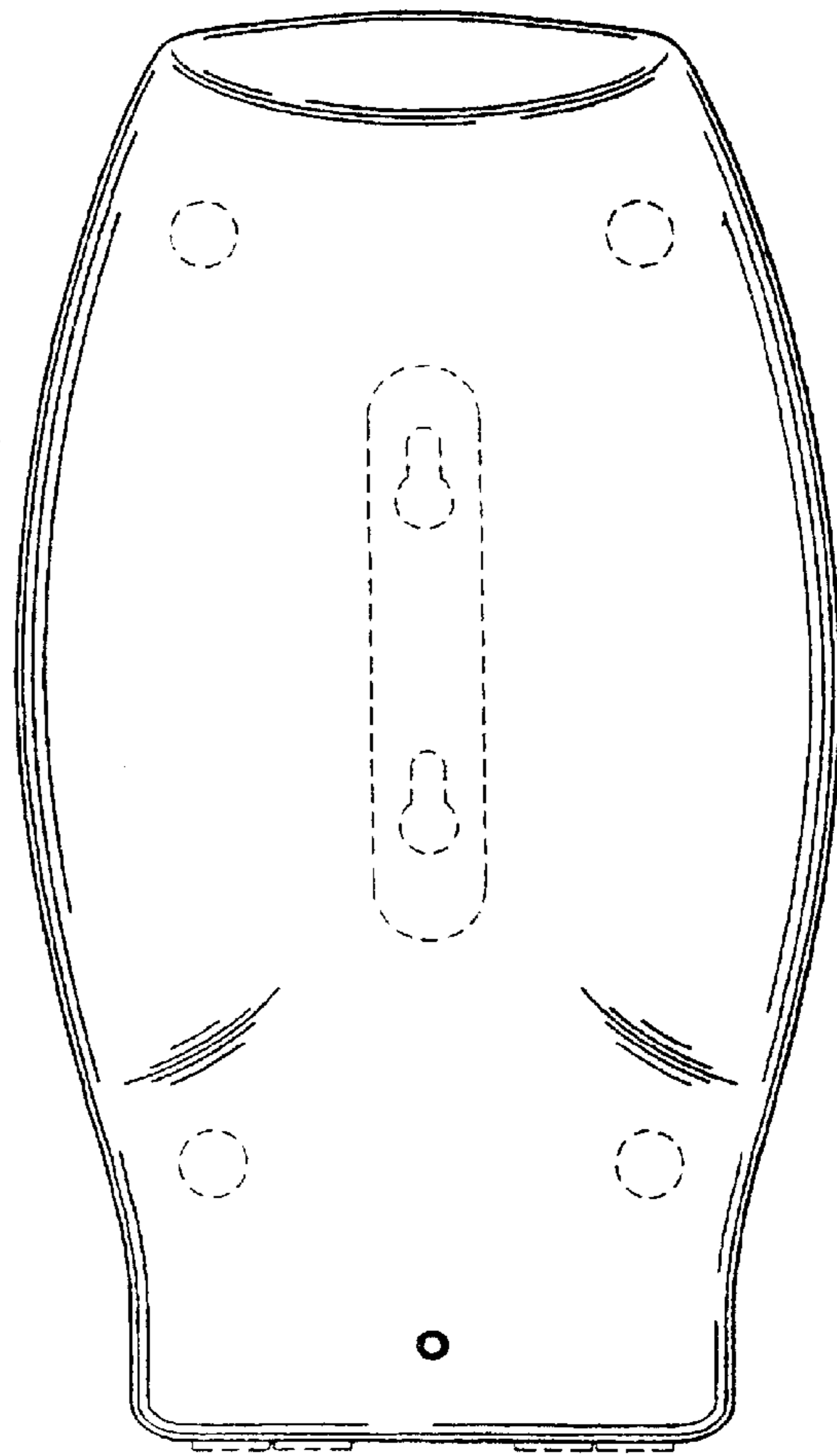
FIG. 8



*FIG. 10*



*FIG. 12*



*FIG. 11*

