

US00D538263S

(12) **United States Design Patent**
Yasuda et al.

(10) **Patent No.:** **US D538,263 S**
(45) **Date of Patent:** **** Mar. 13, 2007**

(54) **SPEAKER**

(75) Inventors: **Koji Yasuda**, Hamamatsu (JP);
Masazumi Morinaga, Hamamatsu (JP)

(73) Assignee: **Roland Corporation**, Hamamatsu (JP)

(**) Term: **14 Years**

(21) Appl. No.: **29/236,168**

(22) Filed: **Aug. 12, 2005**

(30) **Foreign Application Priority Data**

Apr. 28, 2005 (JP) 2005-012734

(51) **LOC (8) Cl.** **14-01**

(52) **U.S. Cl.** **D14/214; D14/219**

(58) **Field of Classification Search** D14/204,
D14/209-215, 172; 181/143-144, 147-148,
181/150, 157, 198-199, 151, 153; 381/300-302,
381/306, 333, 345, 361-364, 386-388, 332,
381/336

See application file for complete search history.

(56) **References Cited**

U.S. PATENT DOCUMENTS

D276,153 S * 10/1984 Iijima D14/214
D276,227 S * 11/1984 Nakamura D14/214

D277,278 S * 1/1985 Matsuda D14/214
D281,241 S * 11/1985 Kawachi D14/210
D295,857 S * 5/1988 Nagashima D14/210
D305,892 S * 2/1990 Freed D14/213

* cited by examiner

Primary Examiner—Nanda Bondade

(74) *Attorney, Agent, or Firm*—Foley & Lardner LLP

(57) **CLAIM**

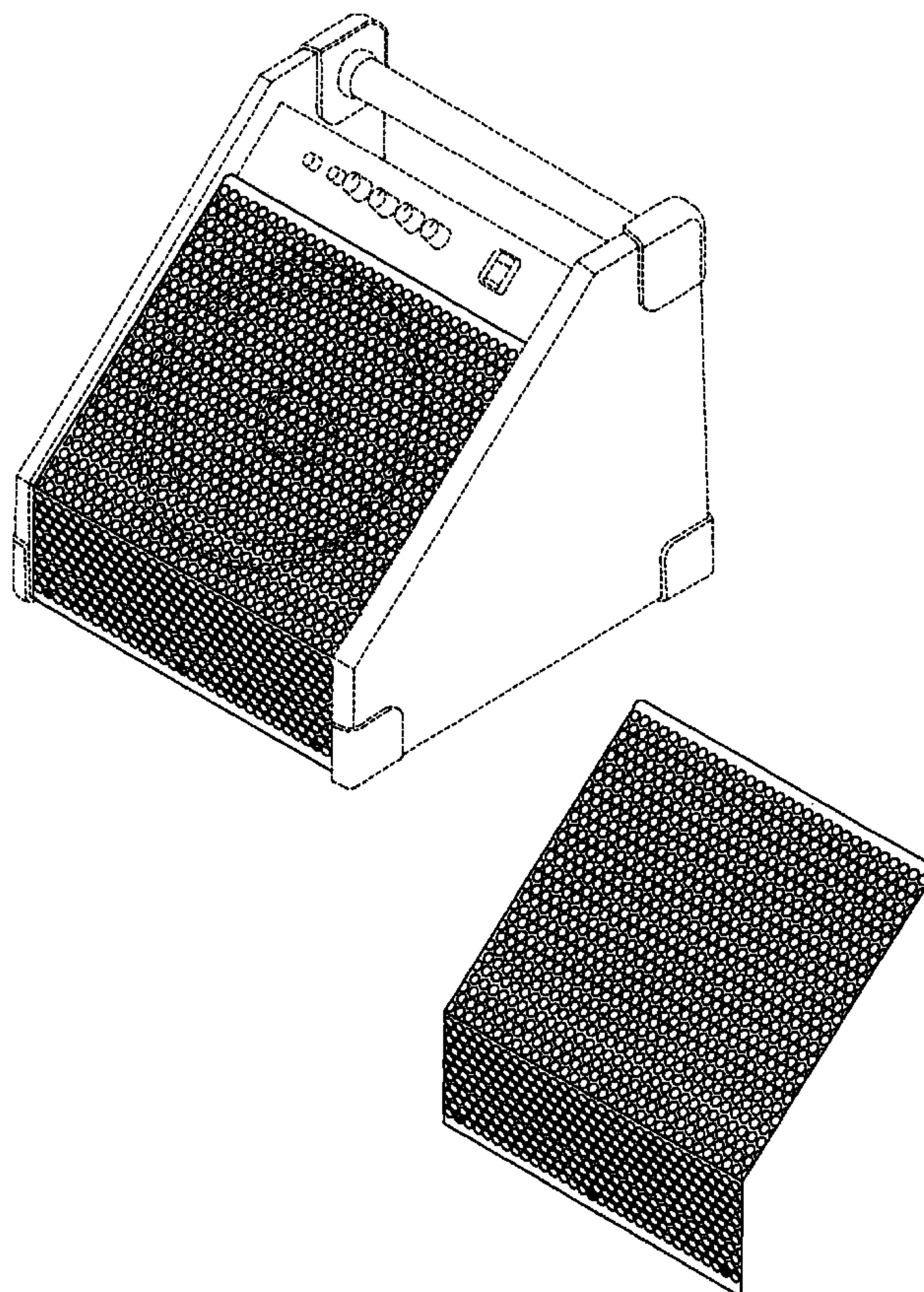
We claim the ornamental design for a speaker, as shown and described.

DESCRIPTION

FIG. 1 is a front view of a speaker showing our new design; FIG. 2 is a rear view thereof; FIG. 3 is a top view thereof; FIG. 4 is a bottom view thereof; FIG. 5 is a left side view thereof; FIG. 6 is a right side view thereof; FIG. 7 is a perspective view thereof; and, FIG. 8 is a perspective view of a portion thereof, shown separately for clarity of illustration.

The ornamental design which is claimed is shown in solid lines in the drawings. The broken line showing of the drawing is for illustrative purposes only and forms no part of the claimed design.

1 Claim, 7 Drawing Sheets



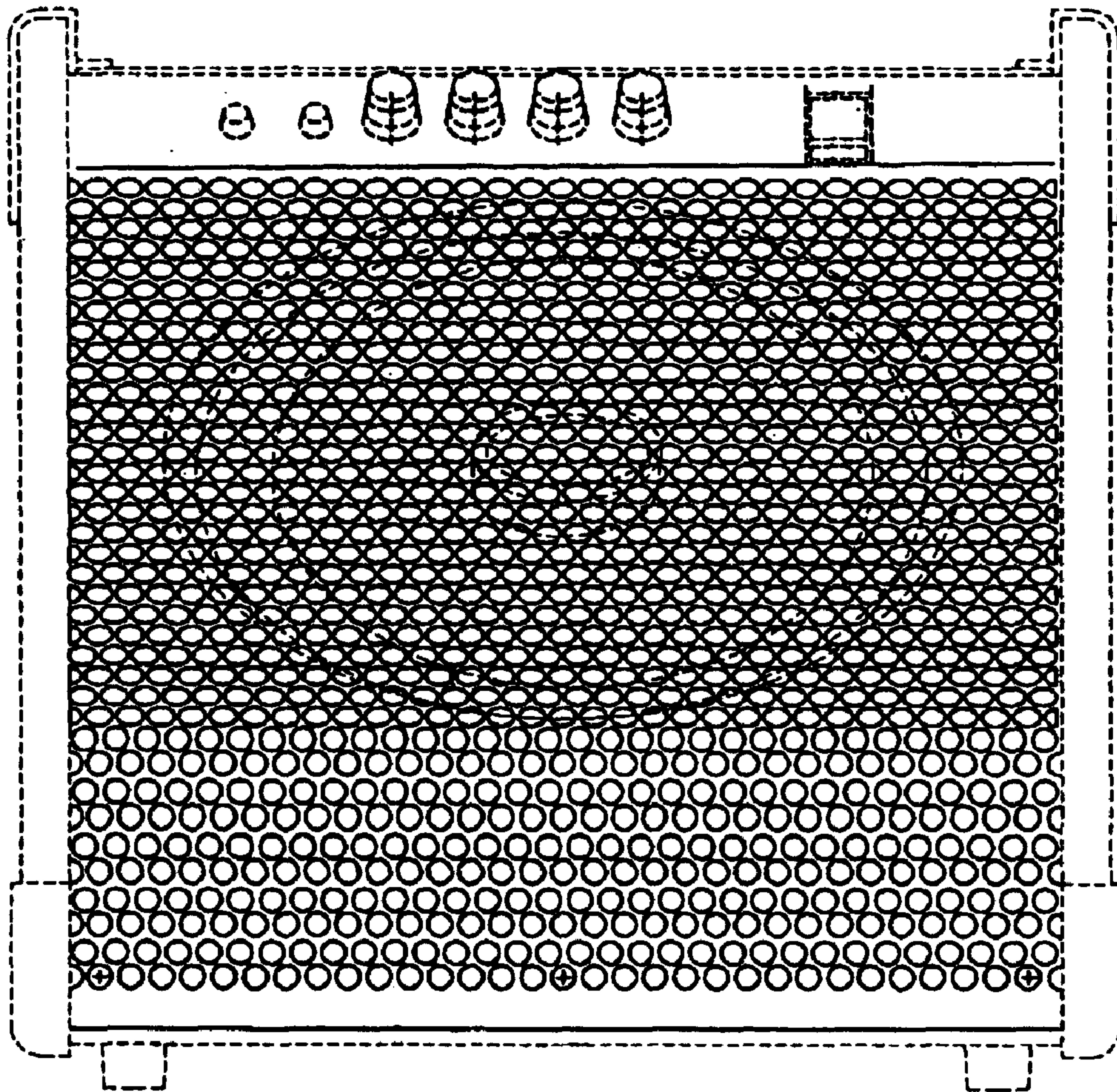


FIG. 1

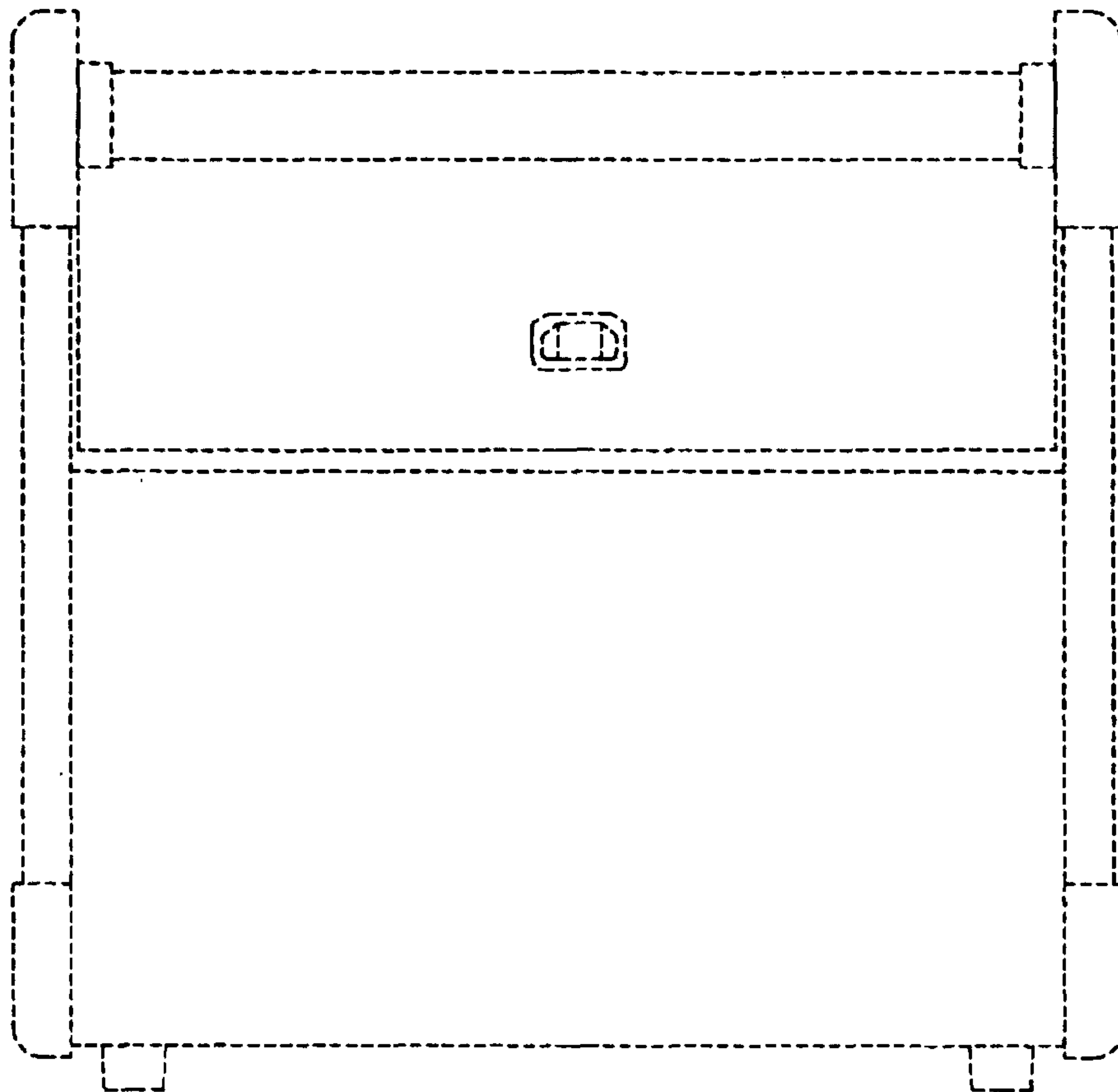


FIG. 2

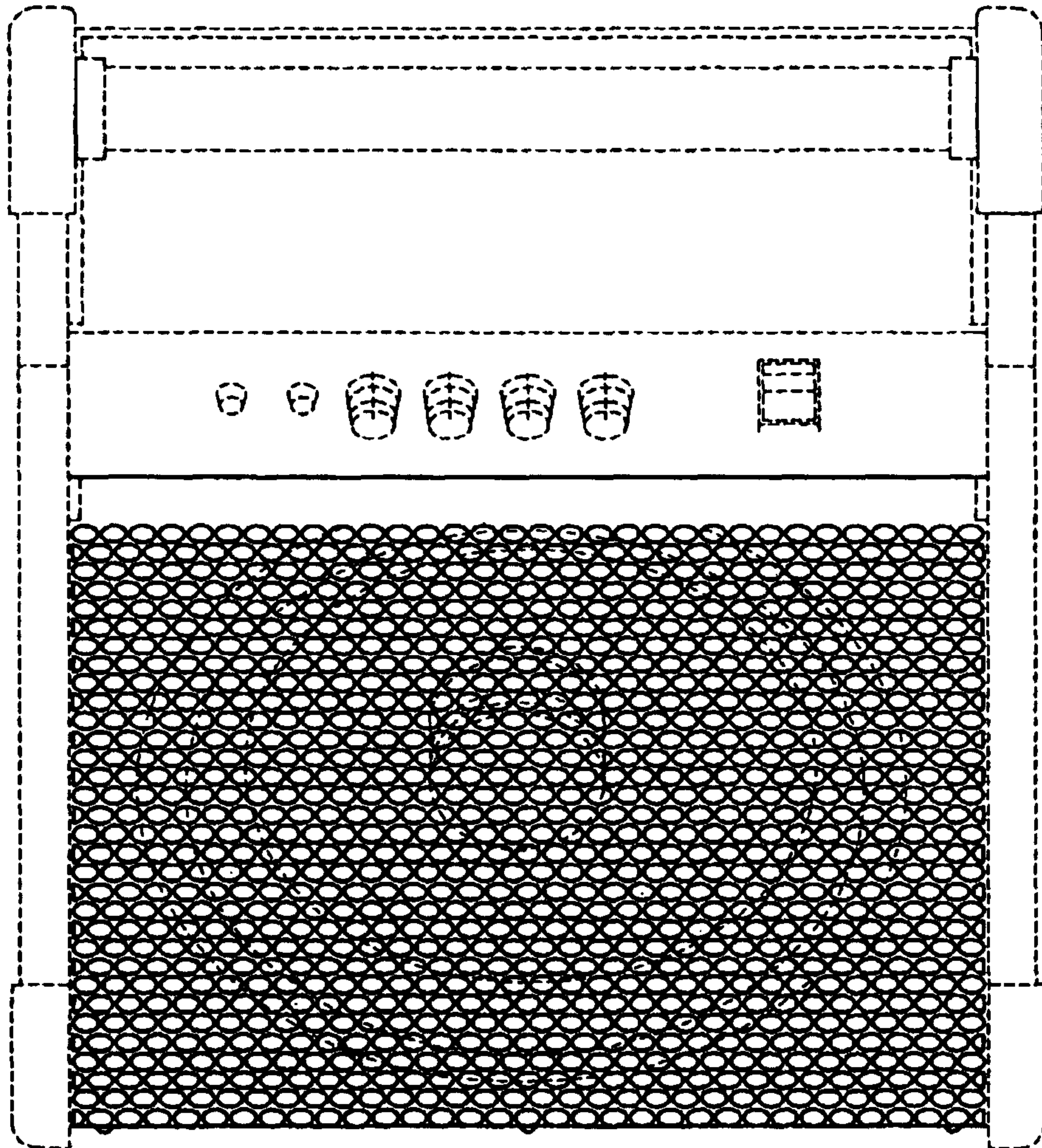


FIG. 3

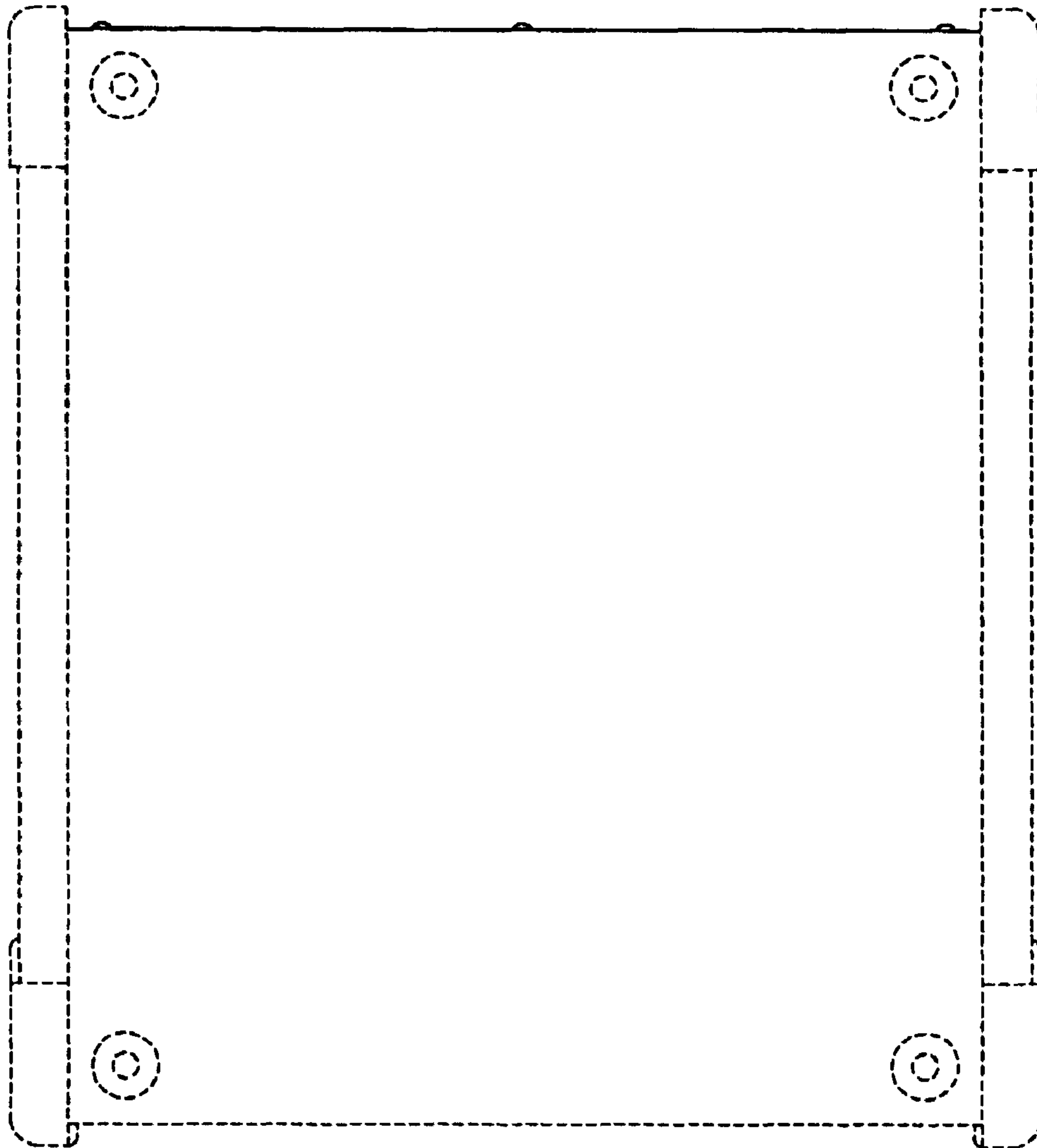


FIG. 4

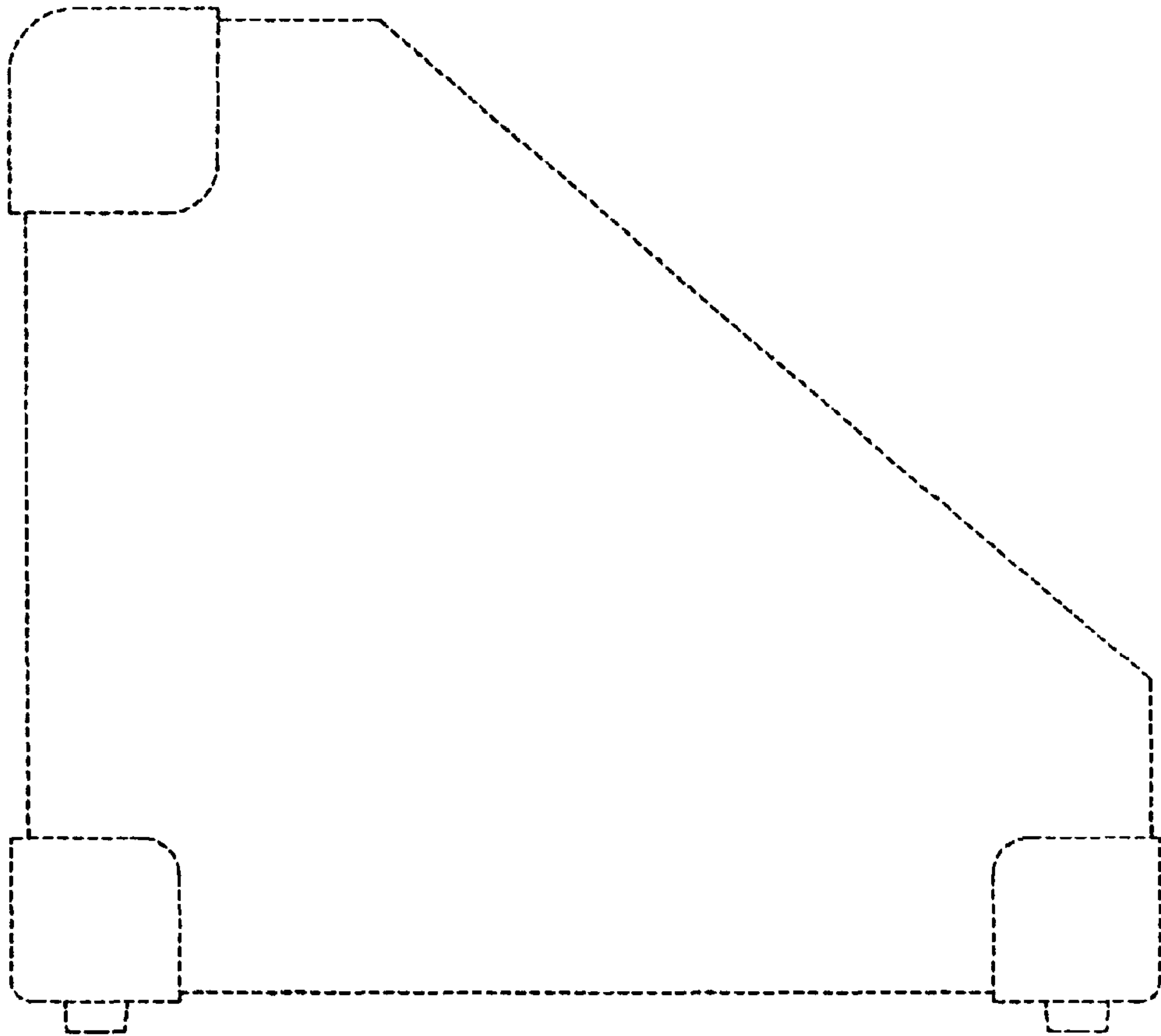


FIG. 5

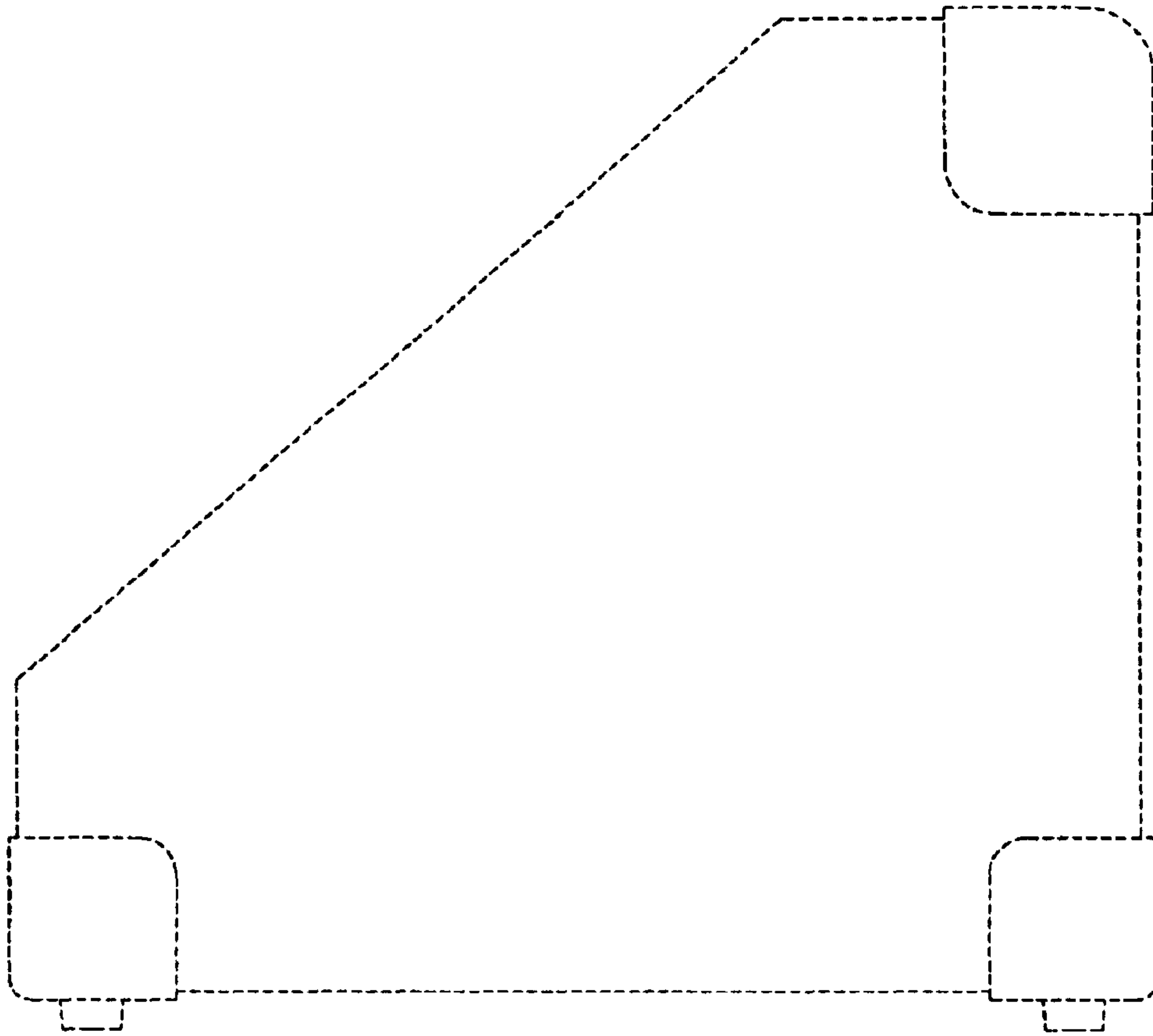


FIG. 0

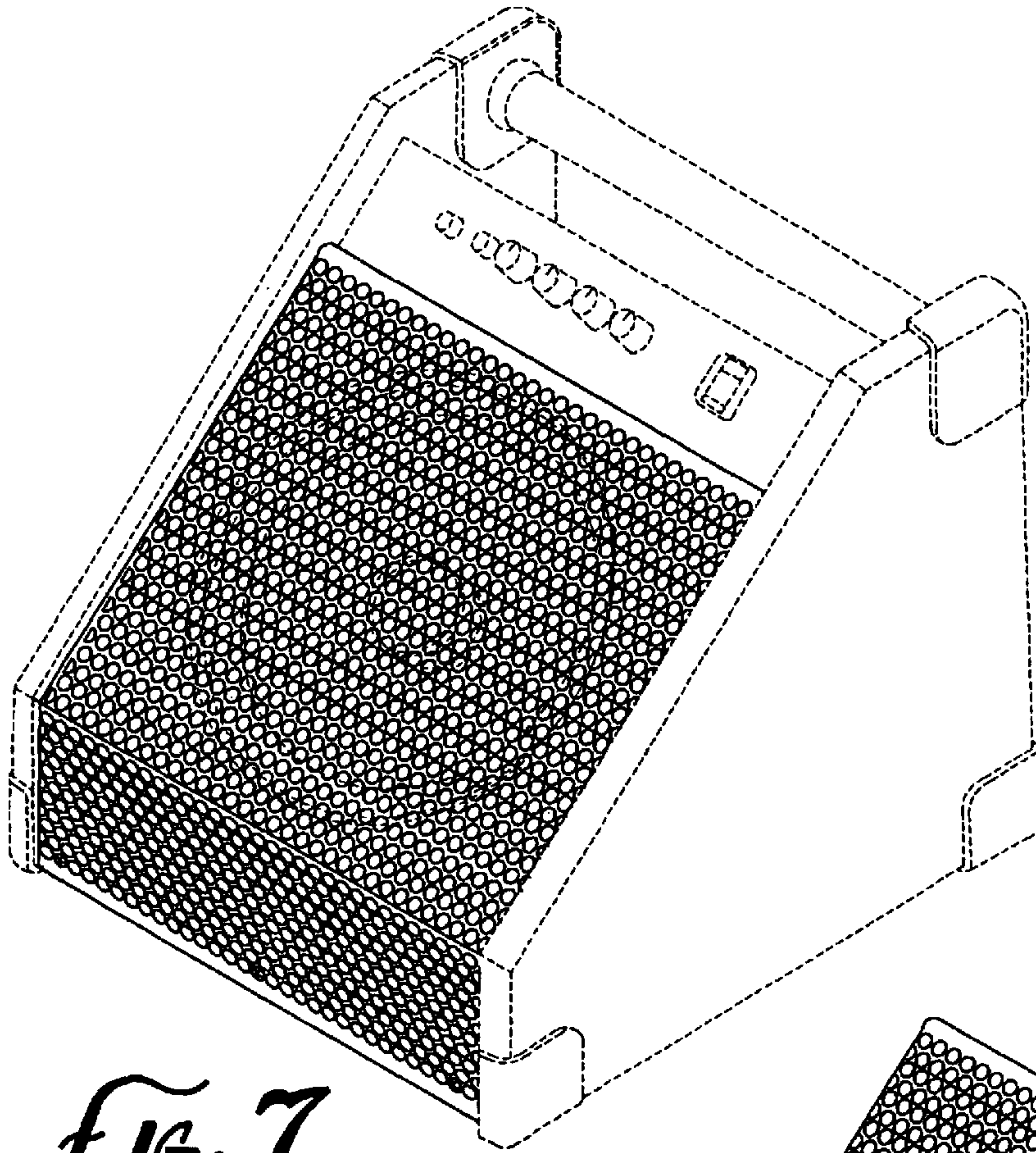


FIG. 7

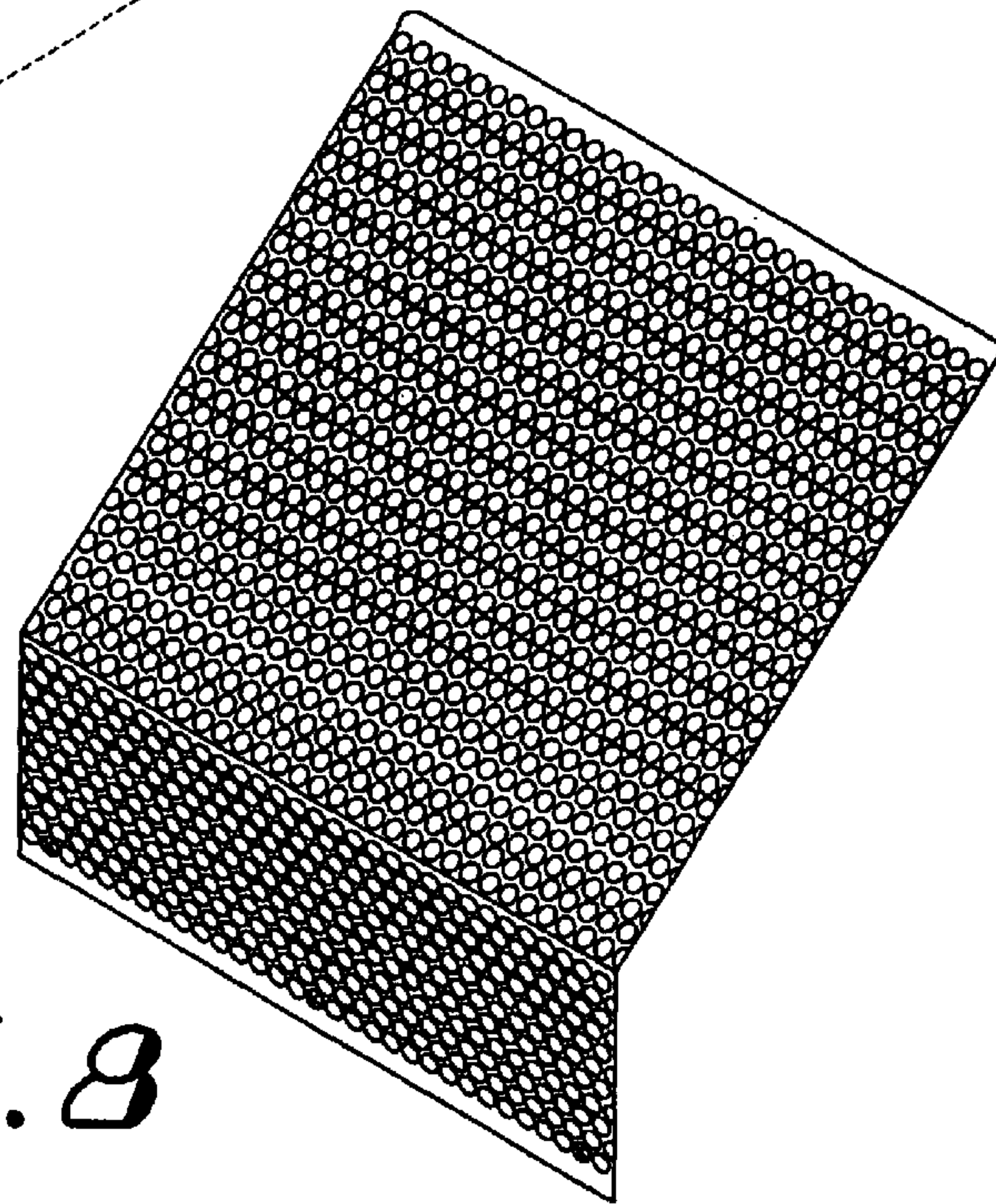


FIG. 8