



US00D538259S

(12) **United States Design Patent**  
**Okamura et al.**

(10) **Patent No.:** **US D538,259 S**

(45) **Date of Patent:** **\*\* Mar. 13, 2007**

(54) **COMBINED SPEAKER AND AMPLIFIER**

D369,356 S \* 4/1996 Olson ..... D14/214  
D372,918 S \* 8/1996 Manganese et al. .... D14/214  
D478,891 S \* 8/2003 Hisatsune ..... D14/211

(75) Inventors: **Sunao Okamura**, Hamamatsu (JP);  
**Nobushiro Aiba**, Hamamatsu (JP)

\* cited by examiner

(73) Assignee: **Yamaha Corporation**, Shizuoka (JP)

*Primary Examiner*—Nanda Bondade

(\*\*) Term: **14 Years**

(74) *Attorney, Agent, or Firm*—Sughrue Mion, PLLC

(21) Appl. No.: **29/235,989**

(57) **CLAIM**

(22) Filed: **Aug. 10, 2005**

The ornamental design for a combined speaker and amplifier, as shown.

(30) **Foreign Application Priority Data**

Jun. 2, 2005 (JP) ..... 2005-016042

**DESCRIPTION**

(51) **LOC (8) Cl.** ..... **14-01**

FIG. 1 is a perspective view of the top, front and left side of a combined speaker and amplifier showing our new design;

(52) **U.S. Cl.** ..... **D14/172; D14/214**

FIG. 2 is a front elevational view thereof;

(58) **Field of Classification Search** ..... D14/204,  
D14/209–215, 172, 188; 181/143–144, 147–148,  
181/150, 157, 198–199, 151, 153; 381/300–302,  
381/306, 333, 345, 361–364, 386–388, 332,  
381/336

FIG. 3 is a rear elevational view thereof;

FIG. 4 is a right side elevational view thereof;

See application file for complete search history.

FIG. 5 is a left side elevational view thereof;

FIG. 6 is a top plan view thereof; and,

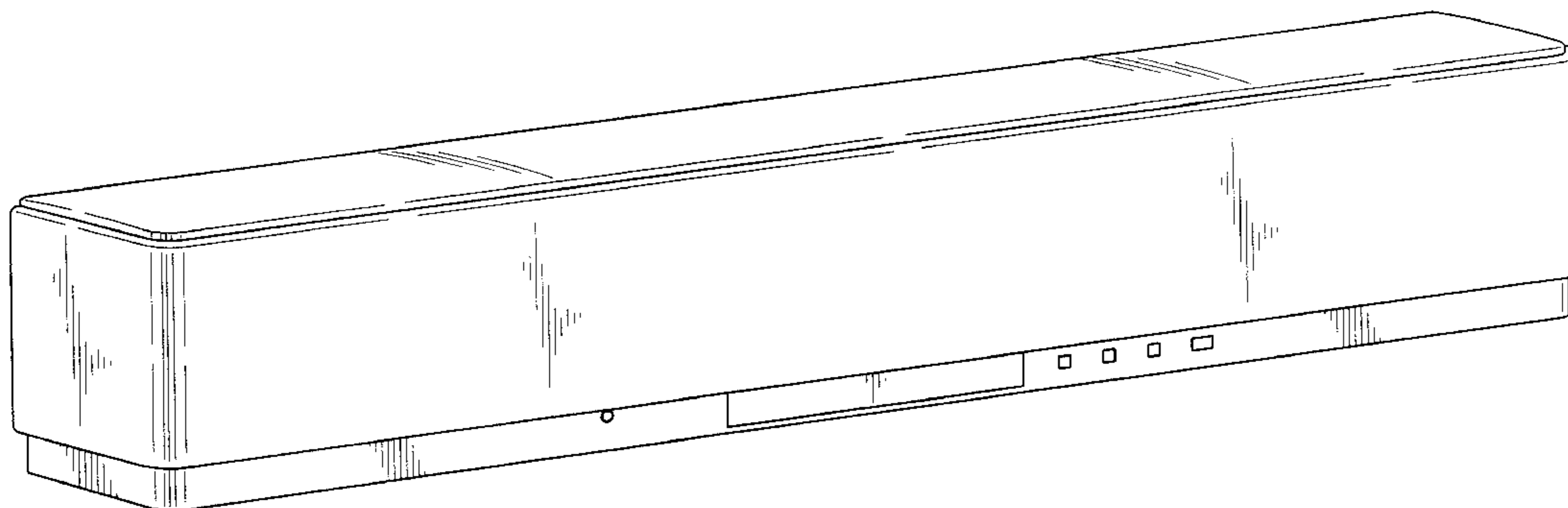
FIG. 7 is a bottom view thereof.

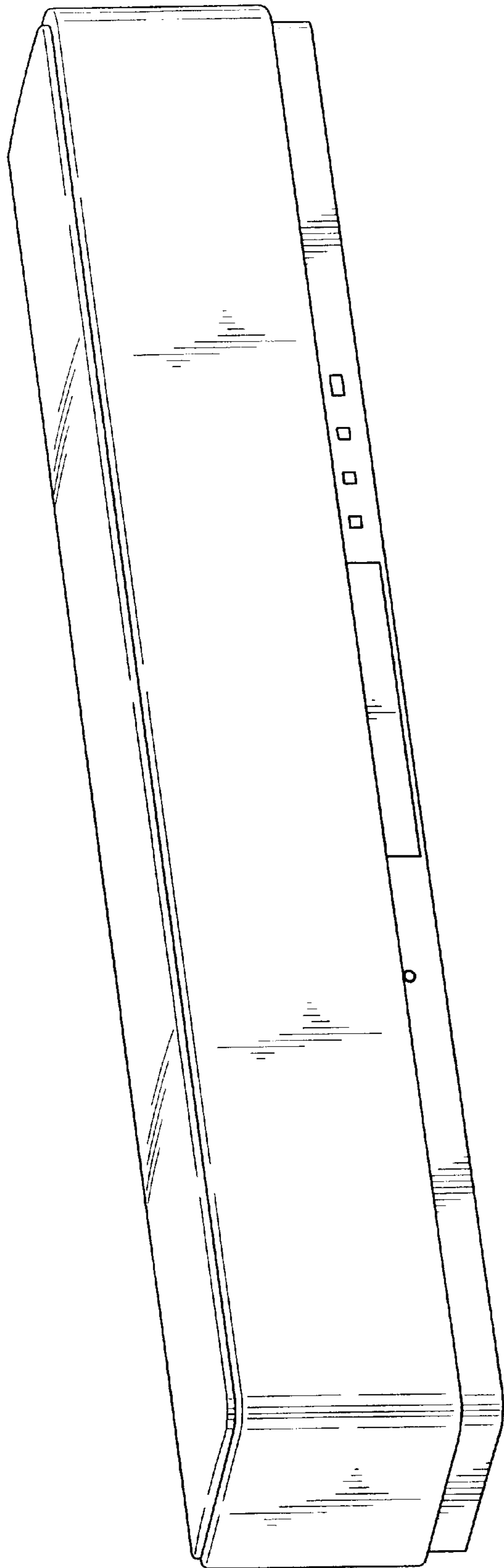
(56) **References Cited**

**U.S. PATENT DOCUMENTS**

4,334,211 A \* 6/1982 McConnell et al. .... 181/198

**1 Claim, 4 Drawing Sheets**





*FIG. 1*

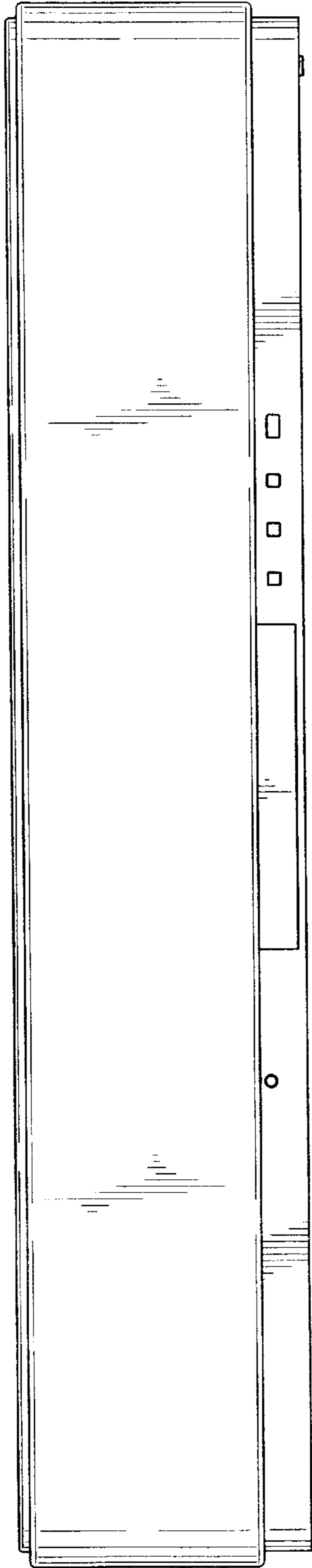


FIG. 2

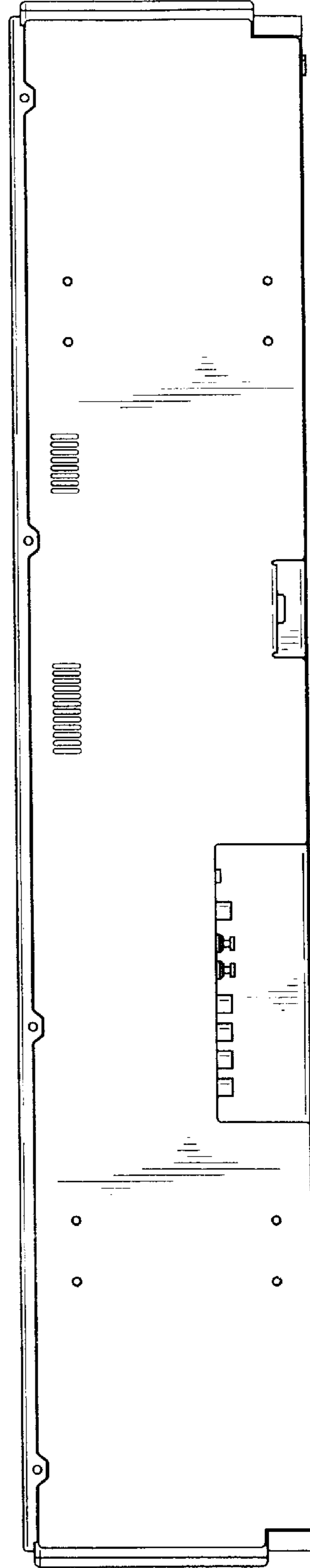
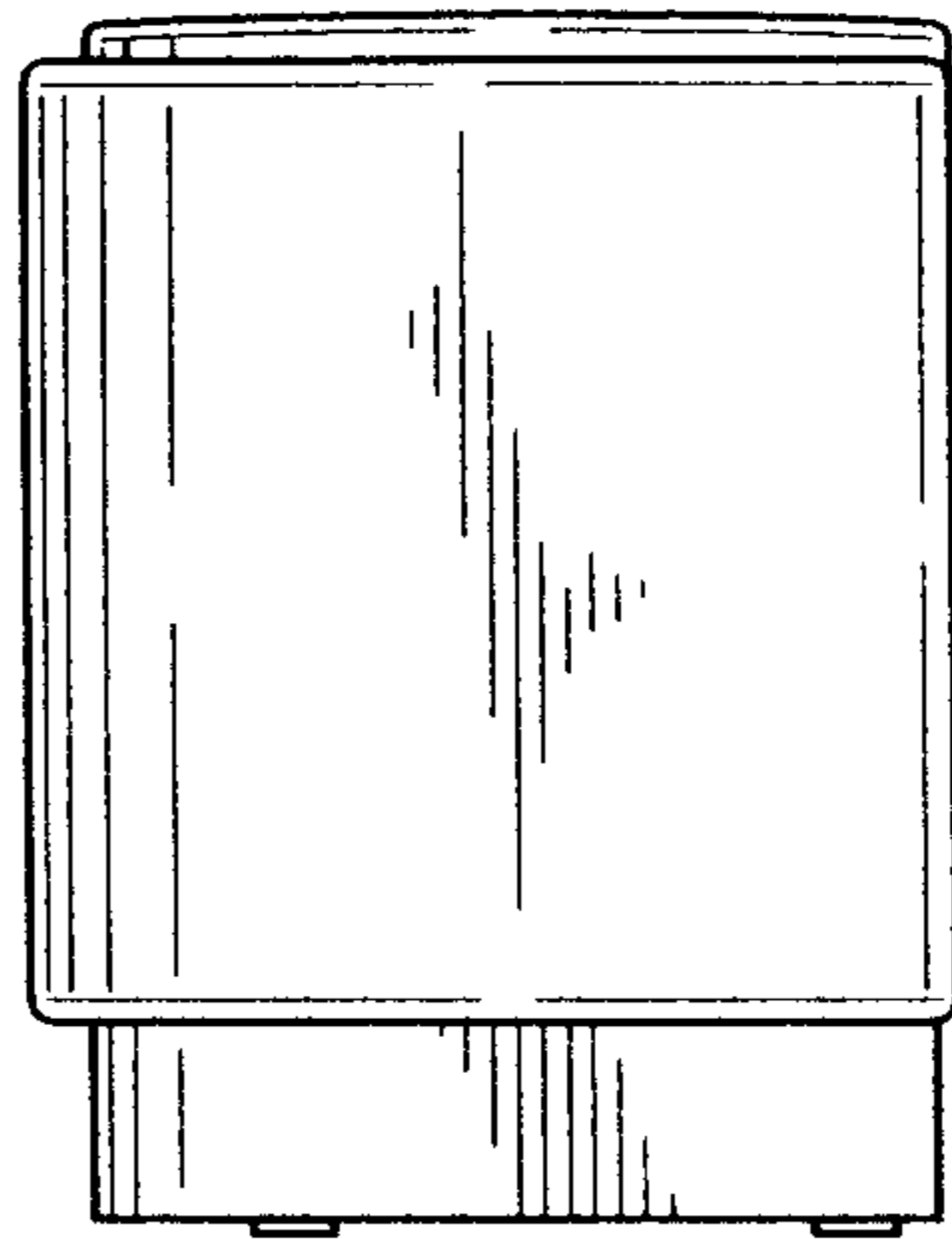
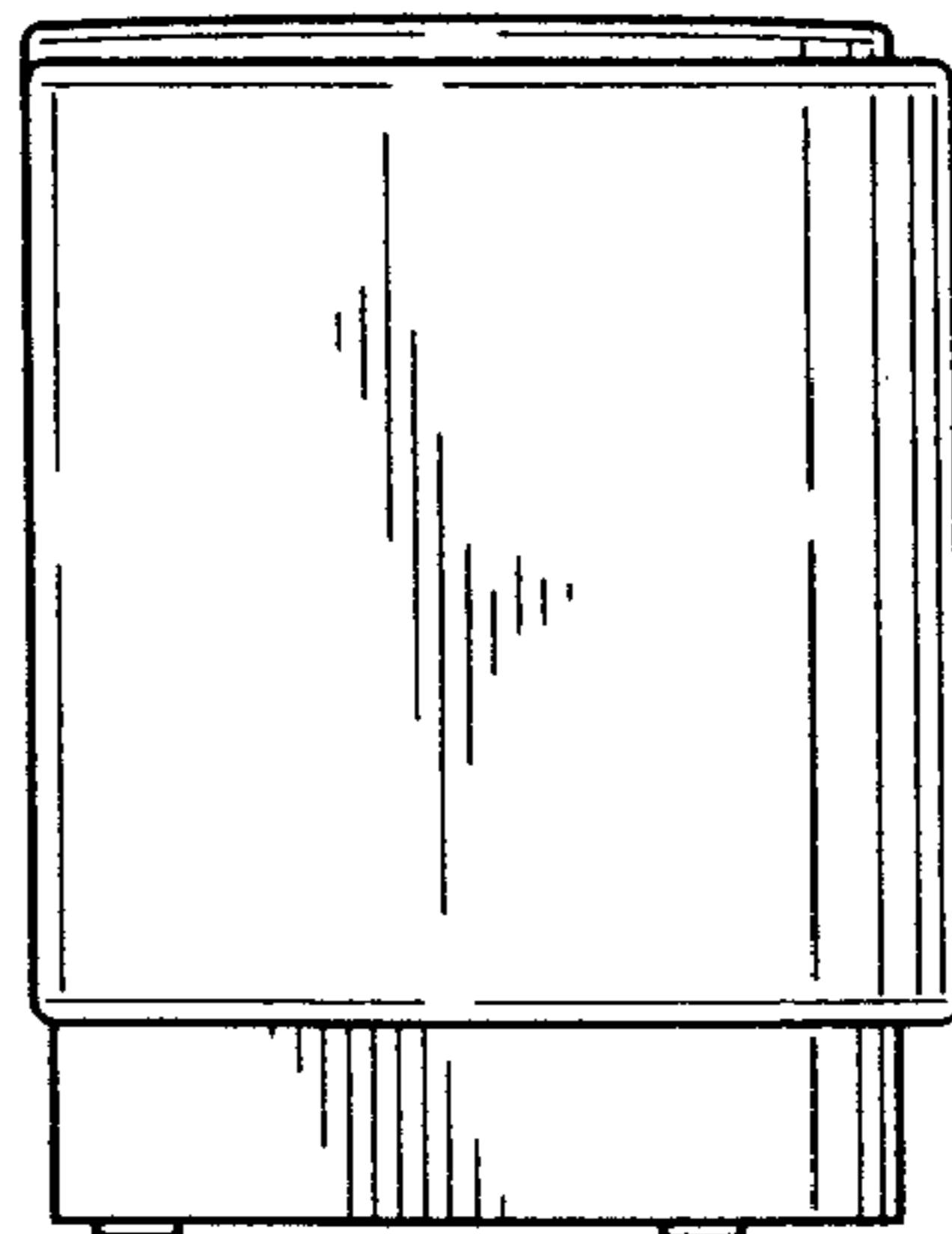


FIG. 3



*FIG. 4*



*FIG. 5*

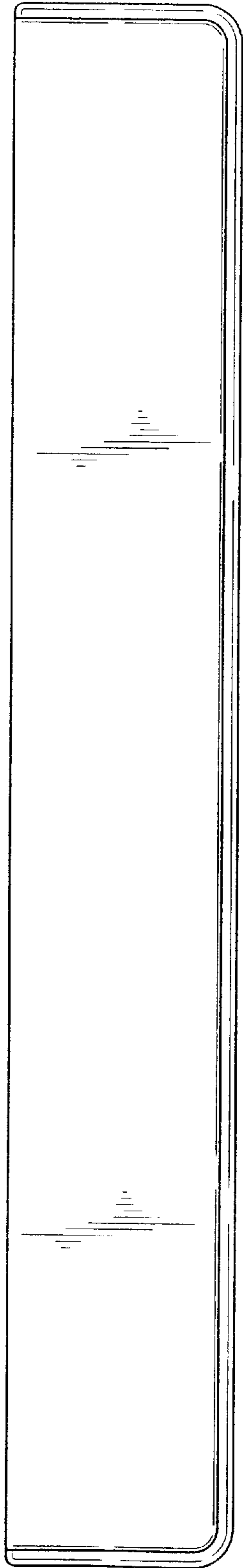


FIG. 6

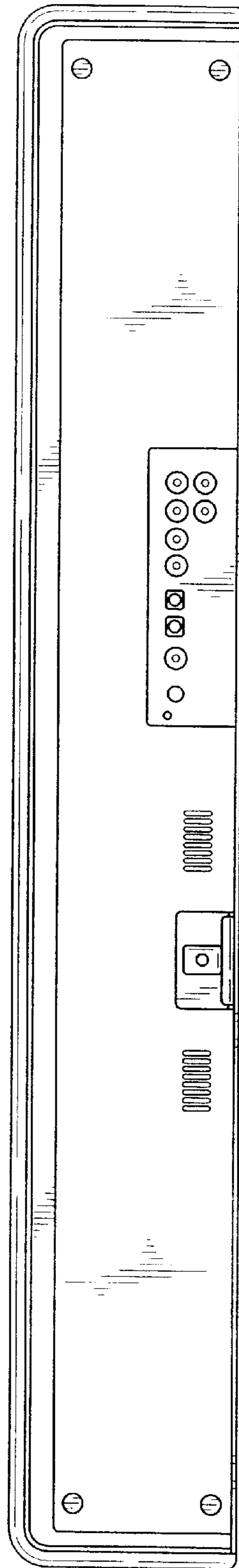


FIG. 7