



US00D538258S

(12) **United States Design Patent**
Ishibashi

(10) **Patent No.:** **US D538,258 S**
(45) **Date of Patent:** **** Mar. 13, 2007**

(54) **COMBINED DISC PLAYER AND RADIO RECEIVER**

D474,177 S * 5/2003 Furusho et al. D14/217
D506,459 S 6/2005 Obata et al.

(75) Inventor: **Yasuhiro Ishibashi**, Tokyo (JP)

(73) Assignee: **Sony Corporation**, Tokyo (JP)

(**) Term: **14 Years**

(21) Appl. No.: **29/244,357**

(22) Filed: **Dec. 9, 2005**

(30) **Foreign Application Priority Data**

Sep. 9, 2005 (JP) D2005-026123

(51) **LOC (8) Cl.** **14-01**

(52) **U.S. Cl.** **D14/168; D14/217**

(58) **Field of Classification Search** D14/156,
D14/160-165, 167-168, 193-198, 217; 360/99.02,
360/99.07; 369/75.11, 75.21, 77.21, 77.11;
720/612, 619, 647, 655; 455/344, 347-351
See application file for complete search history.

(56) **References Cited**

U.S. PATENT DOCUMENTS

D221,899 S * 9/1971 Benjamin D14/196
D229,069 S * 11/1973 Dewey D14/197
D348,461 S * 7/1994 Peersmann D14/168
D410,649 S 6/1999 Kobayashi
D444,459 S * 7/2001 Matt et al. D14/217
D467,570 S * 12/2002 Kulkarni D14/168

FOREIGN PATENT DOCUMENTS

JP D1010828 S 5/1998
JP D1072440 S 6/2000
JP D1202213 S 4/2004

* cited by examiner

Primary Examiner—Nanda Bondade

(74) *Attorney, Agent, or Firm*—Rader, Fishman & Grauer PLLC

(57) **CLAIM**

The ornamental design for a combined disc player and radio receiver, as shown and described.

DESCRIPTION

FIG. 1 is a perspective view of a combined disc player and radio receiver showing my new design; FIG. 2 is a front elevational view thereof; FIG. 3 is a rear elevational view thereof; FIG. 4 is a left side elevational view thereof; FIG. 5 is a right side elevational view thereof; FIG. 6 is a top plan view thereof; and, FIG. 7 is a bottom plan view thereof.

Portions of FIGS. 1-7 that are shown as broken lines are for illustrative purpose only and form no part of the claimed design.

1 Claim, 7 Drawing Sheets

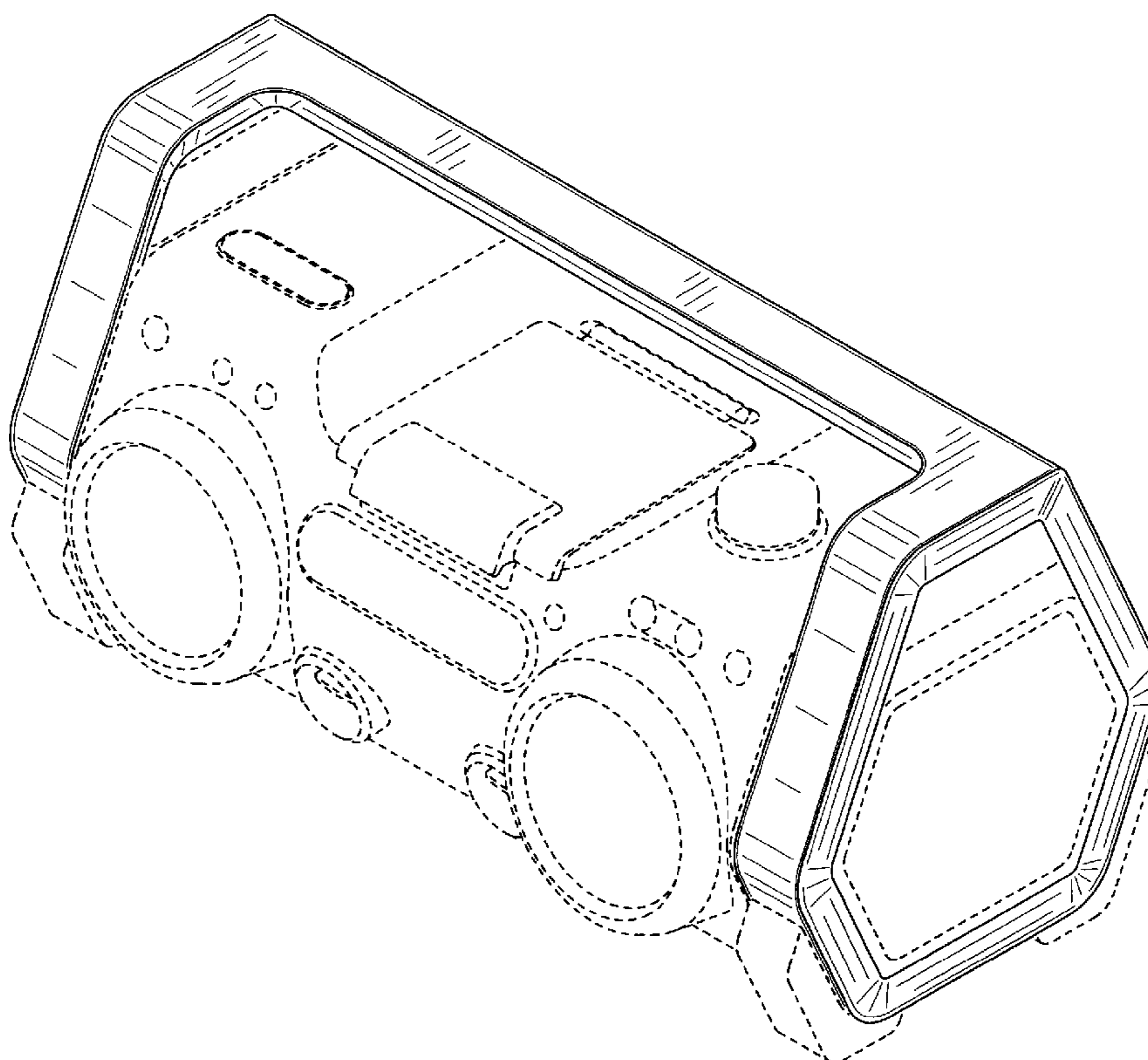


Fig.1

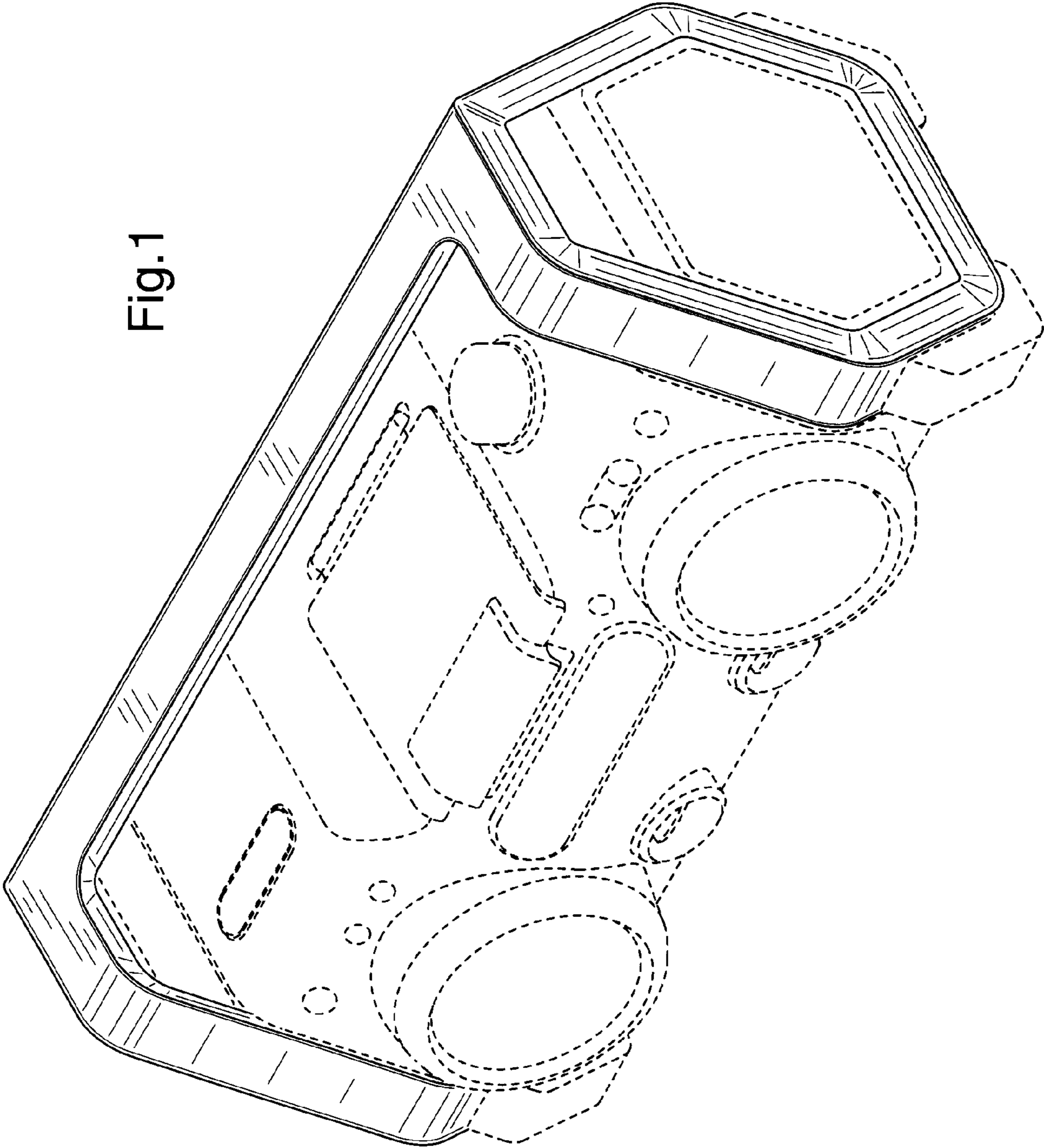


Fig.2

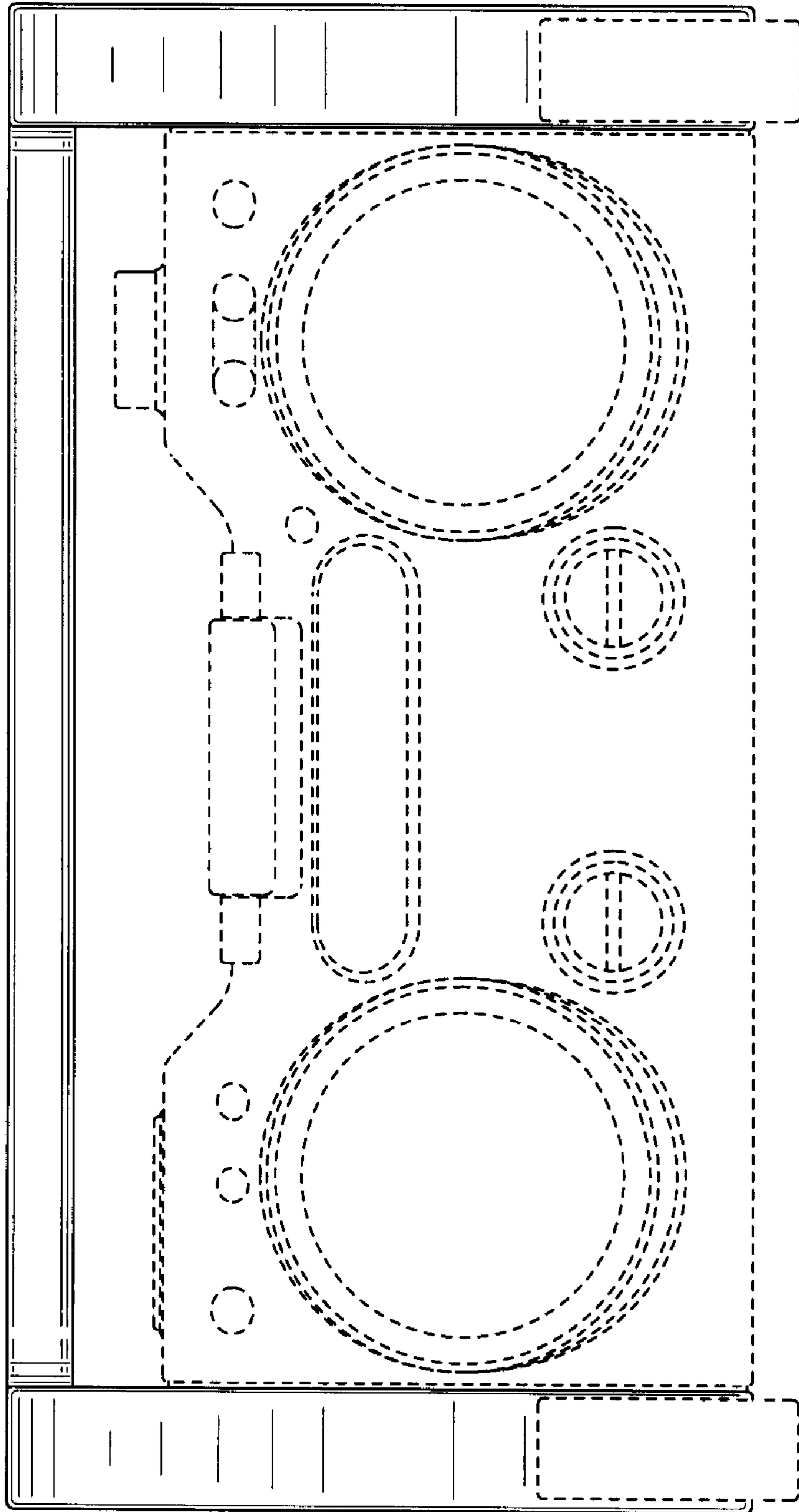


Fig.3

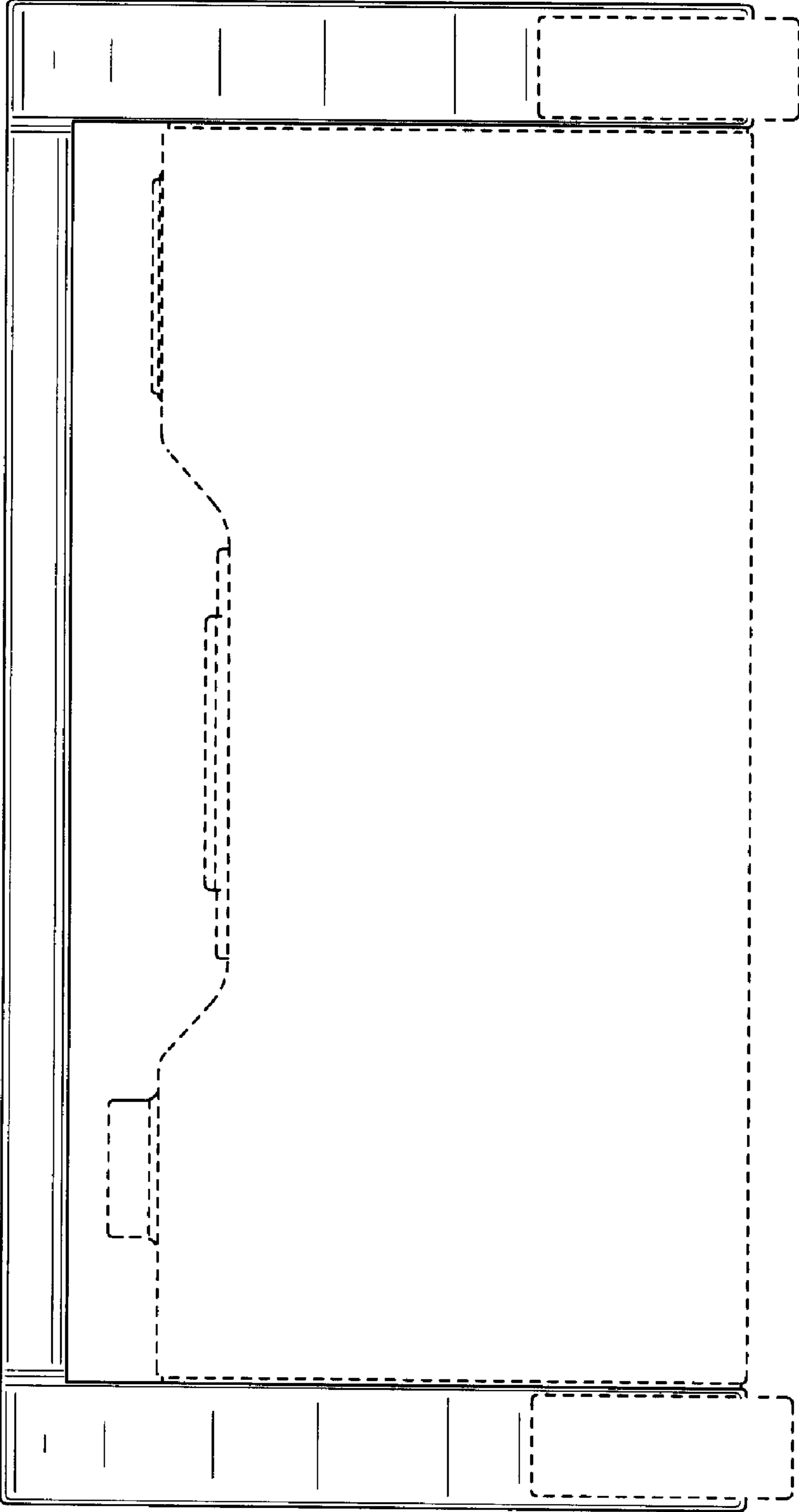


Fig.4

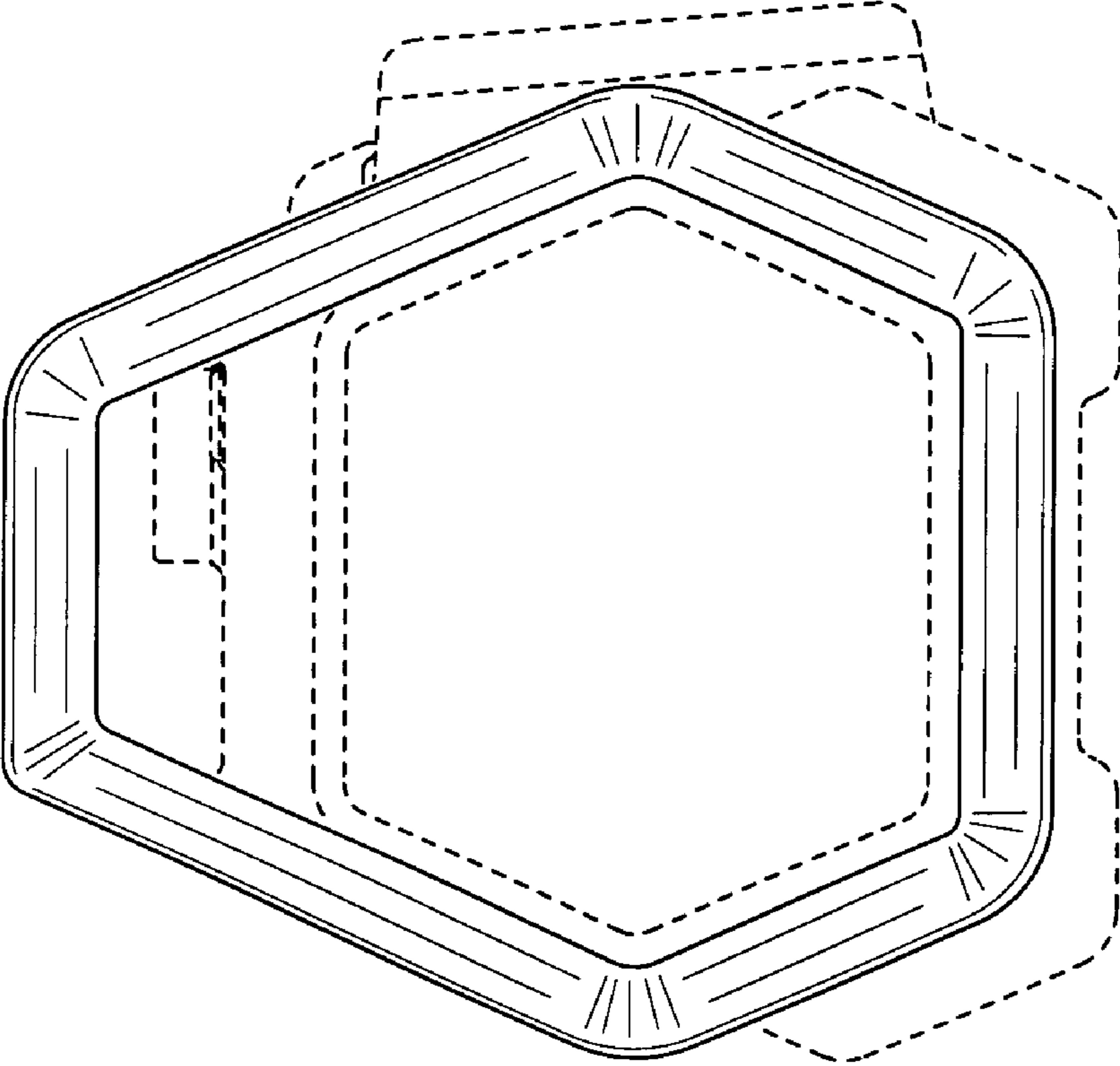


Fig. 5

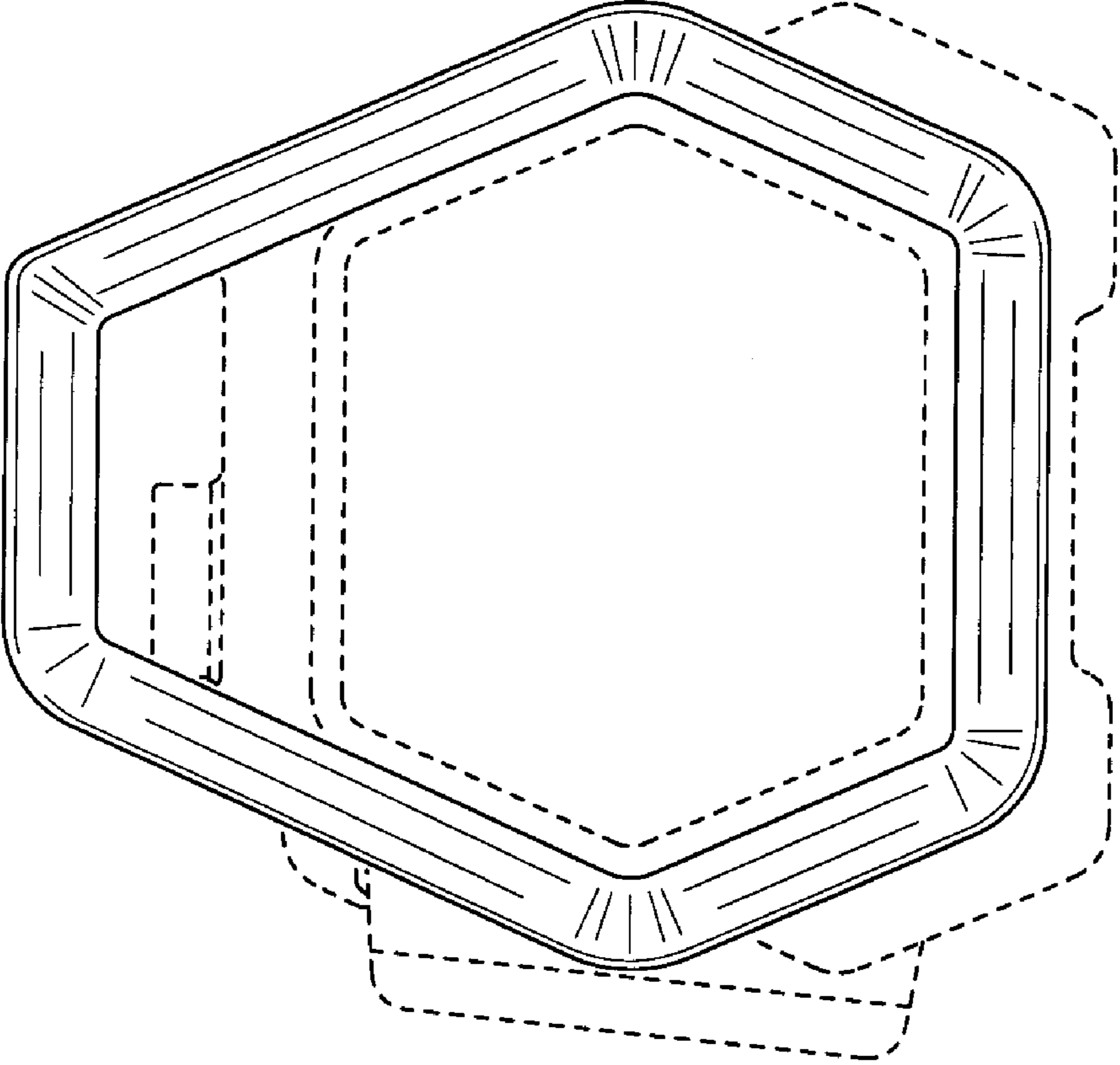


Fig.6

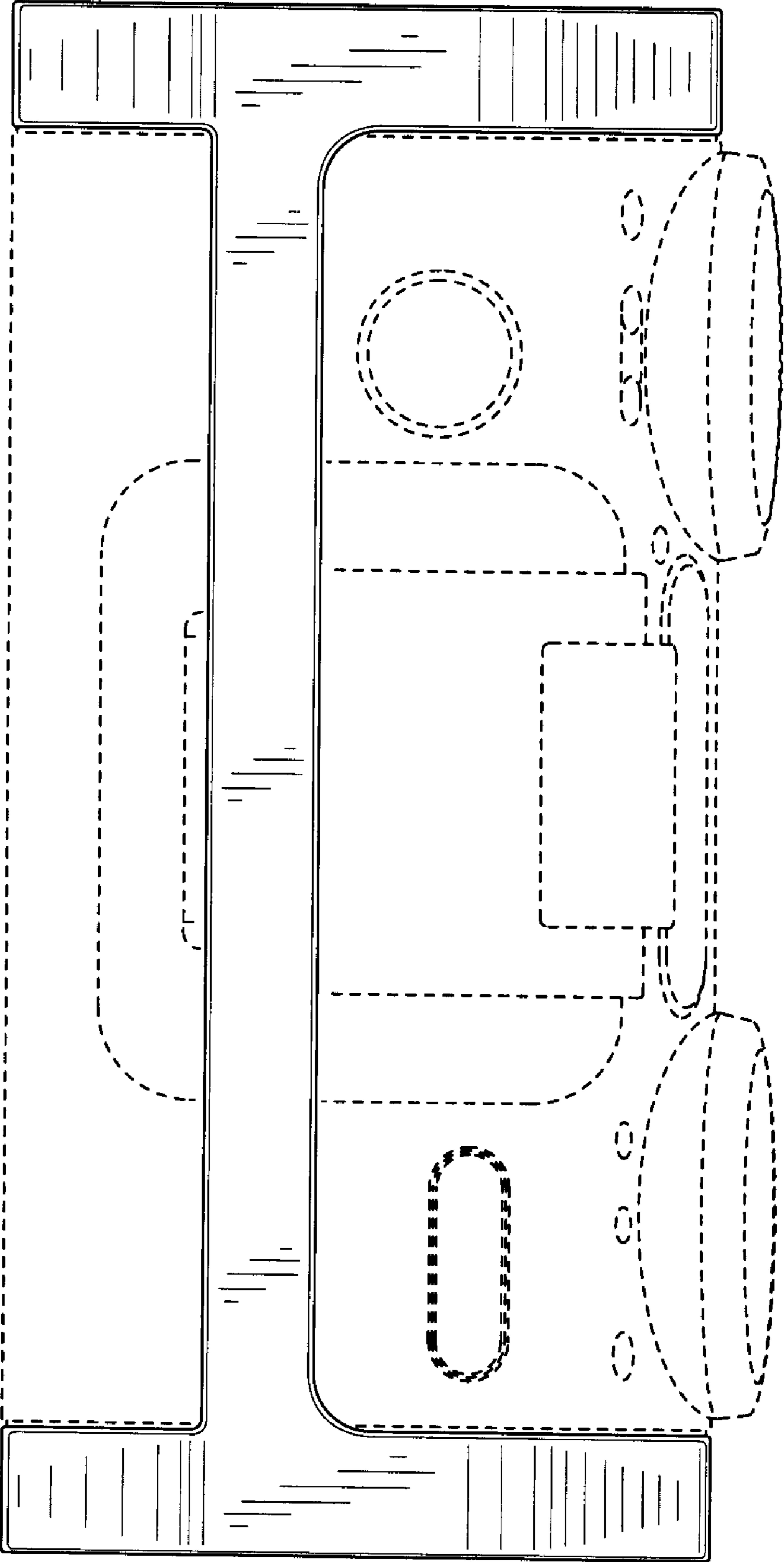


Fig.7

