



US00D538255S

(12) **United States Design Patent**
Matsuoka

(10) **Patent No.:** **US D538,255 S**
(45) **Date of Patent:** **** Mar. 13, 2007**

(54) **DISC PLAYER**

(75) Inventor: **Yoshimichi Matsuoka**, Tokyo (JP)

(73) Assignee: **Sony Corporation**, Tokyo (JP)

(**) Term: **14 Years**

(21) Appl. No.: **29/239,316**

(22) Filed: **Sep. 29, 2005**

(30) **Foreign Application Priority Data**

May 31, 2005 (JP) D2005-015623

(51) **LOC (8) Cl.** **14-01**

(52) **U.S. Cl.** **D14/156; D14/157**

(58) **Field of Classification Search** D14/135–136,
D14/156–157, 167–168, 192–198, 188, 257,
D14/258, 445; 360/99.02, 99.07; 369/75.11,
369/75.21, 77.21, 77.11; 720/612, 619, 647,
720/655; 455/344, 347–351

See application file for complete search history.

(56) **References Cited**

U.S. PATENT DOCUMENTS

5,848,042	A	*	12/1998	Takahashi et al.	720/647
D411,996	S		7/1999	Yamazaki		
D427,990	S	*	7/2000	Ito et al.	D14/156
D429,705	S	*	8/2000	Ito et al.	D14/135
D430,132	S		8/2000	Yamazaki		
D438,520	S	*	3/2001	Nose et al.	D14/136
D445,783	S	*	7/2001	Bouchard	D14/258
D495,678	S		9/2004	Uehara		

FOREIGN PATENT DOCUMENTS

JP D1169097 S 3/2003

OTHER PUBLICATIONS

Web page “DXZ925L” http://www.addzest.com/ADDZEST_DYNAMIC/index.cfm?fuseaction=products.spec&maincat=audio&subcat=1DIN&model_no=DXZ925L, 1 sheet, ADDZEST (Aug. 2005).

* cited by examiner

Primary Examiner—Nanda Bondade

(74) *Attorney, Agent, or Firm*—Rader, Fishman & Grauer PLLC

(57) **CLAIM**

The ornamental design for a disc player, as shown.

DESCRIPTION

FIG. 1 is a perspective view of a disc player showing my new design;

FIG. 2 is a front elevational view thereof;

FIG. 3 is a rear elevational view thereof;

FIG. 4 is a left side elevational view thereof;

FIG. 5 is a right side elevational view thereof;

FIG. 6 is a top plan view thereof; and,

FIG. 7 is a bottom plan view thereof.

All the material from the Japanese Application which is essential to the claimed design is included in this application. Any material in the Japanese application which is not present in this application forms no part of the claimed design.

1 Claim, 7 Drawing Sheets

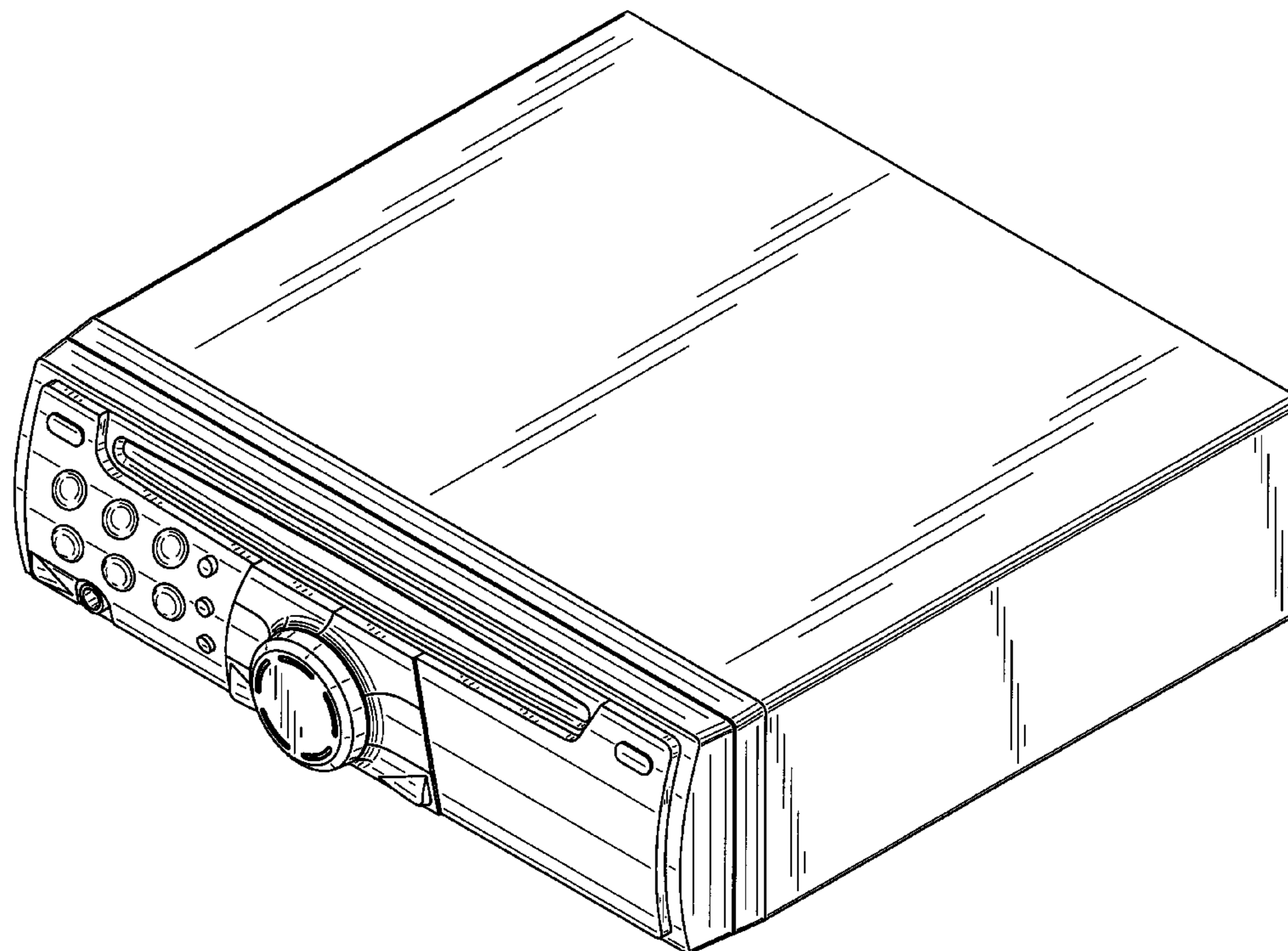


Fig. 1

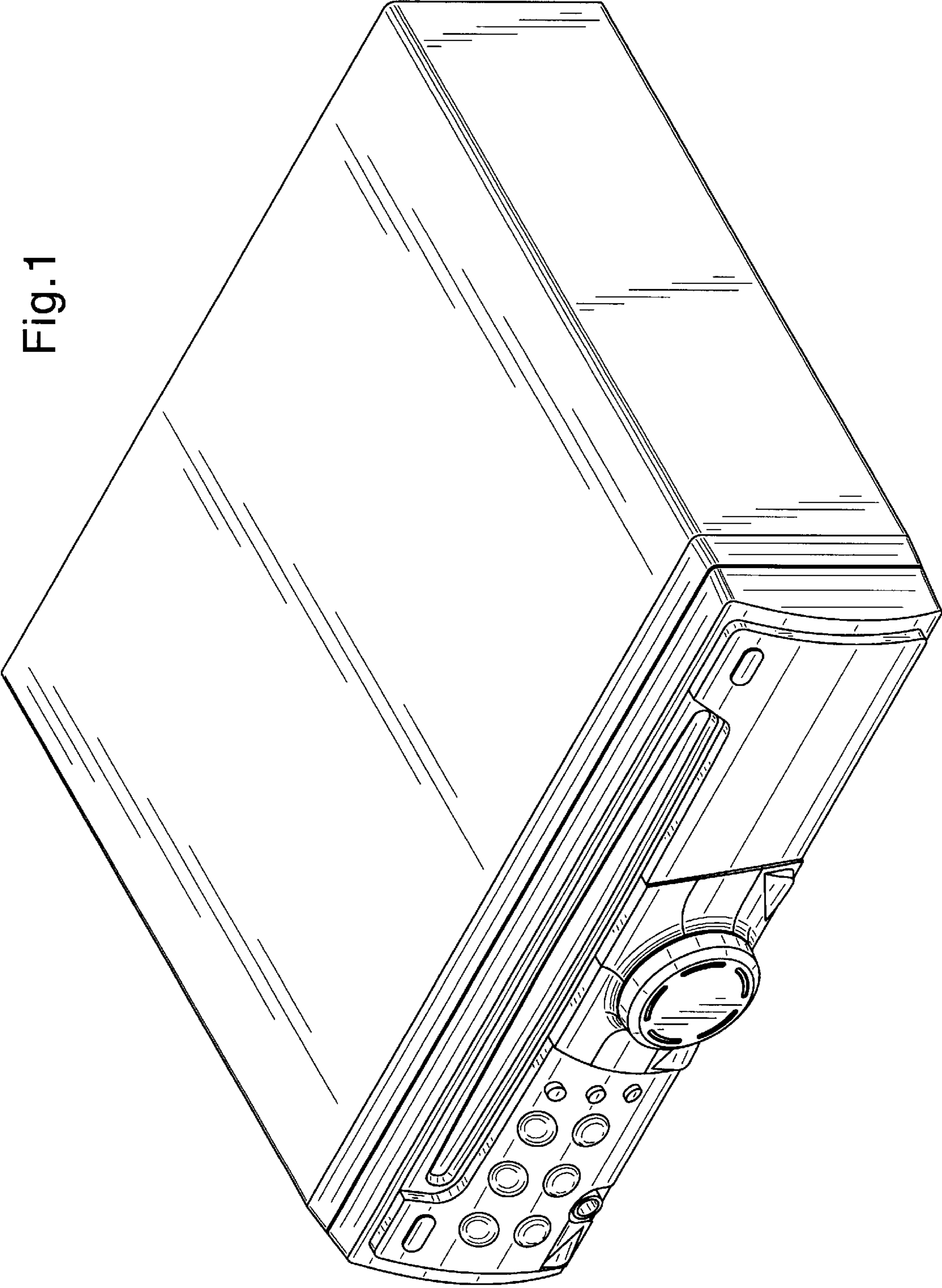


Fig. 2

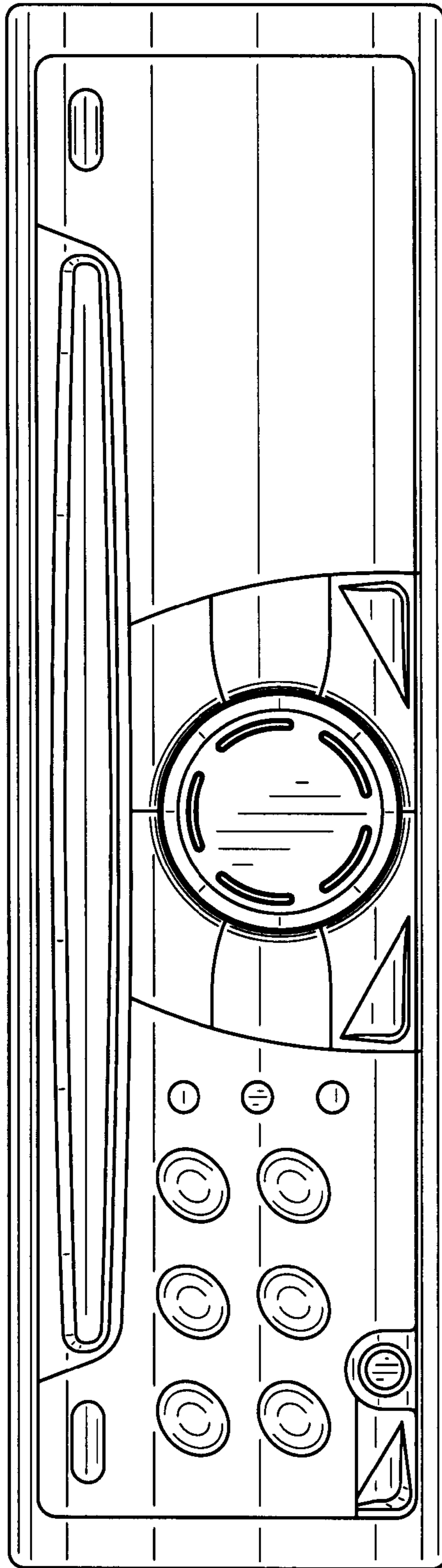


Fig. 3

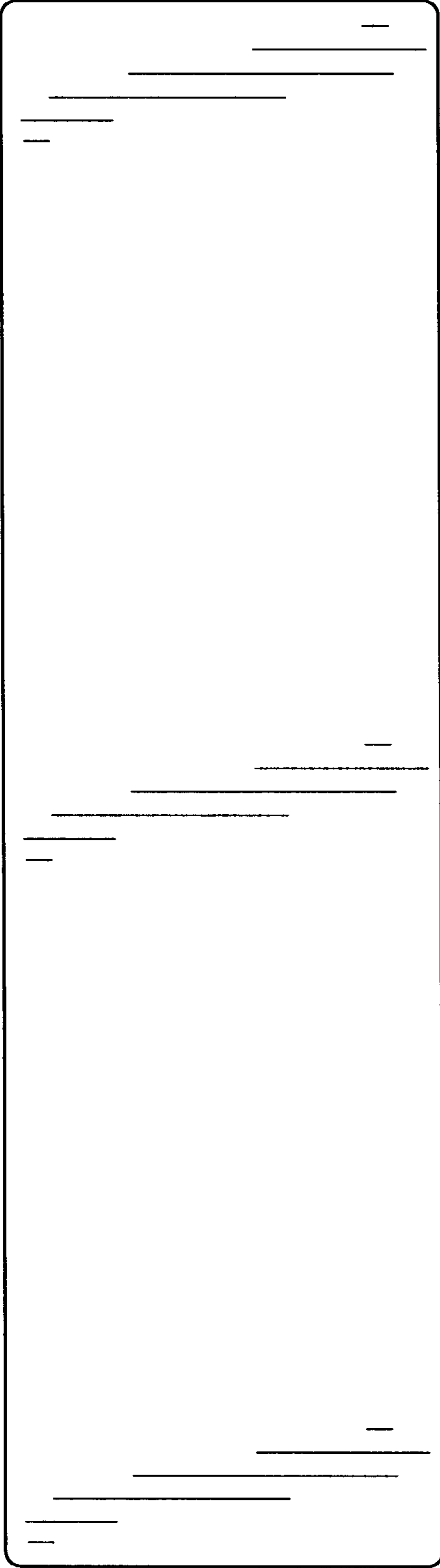


Fig. 4

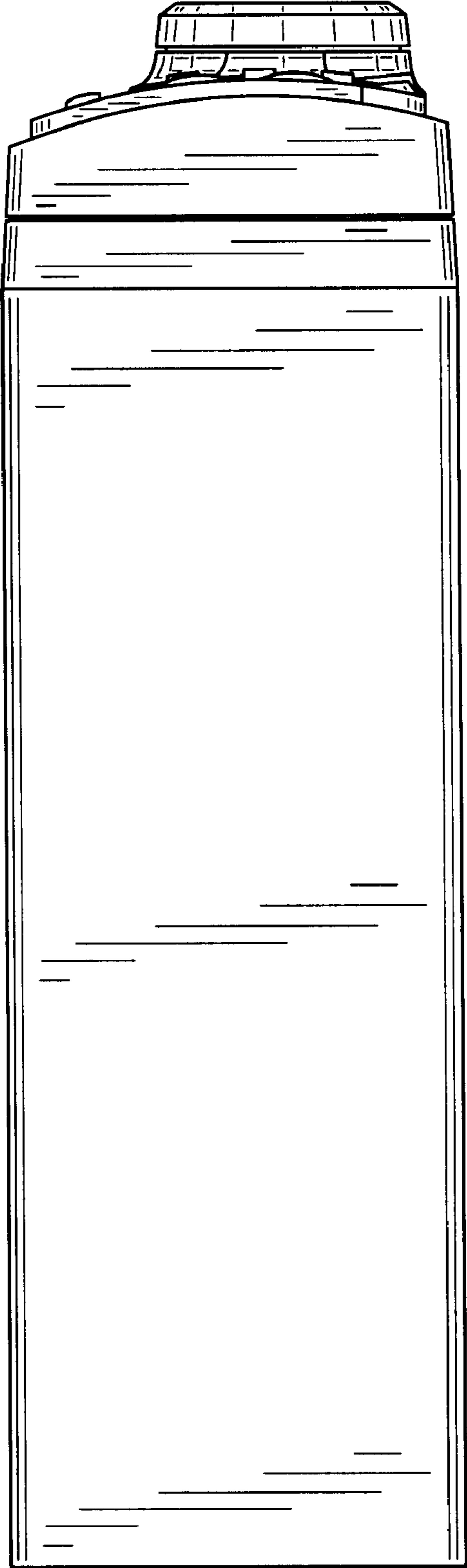
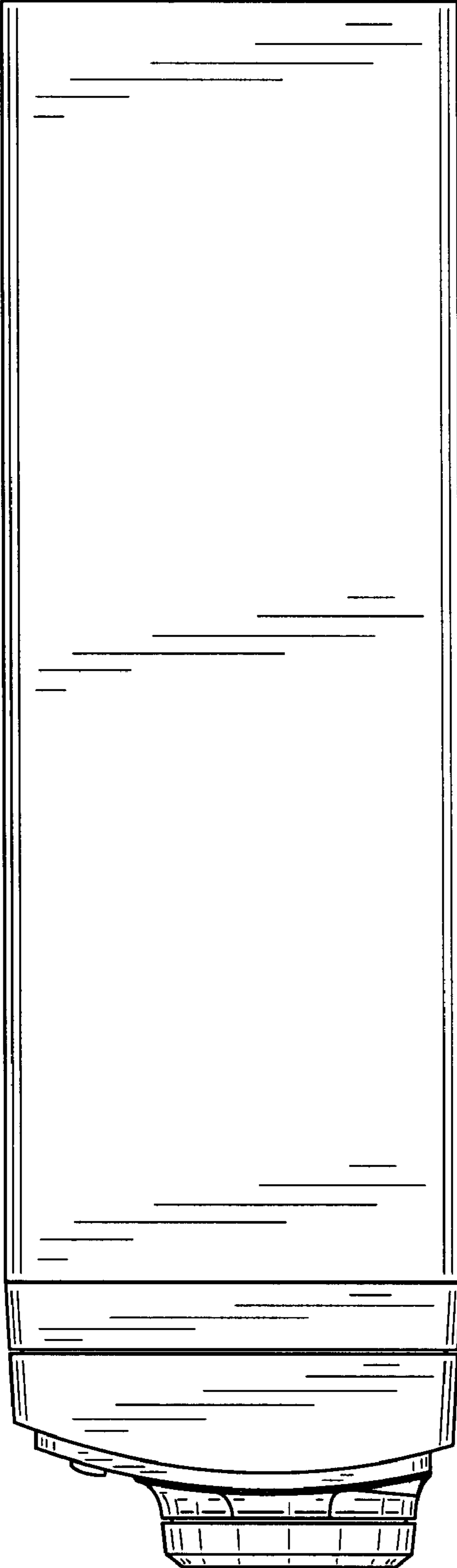


Fig. 5



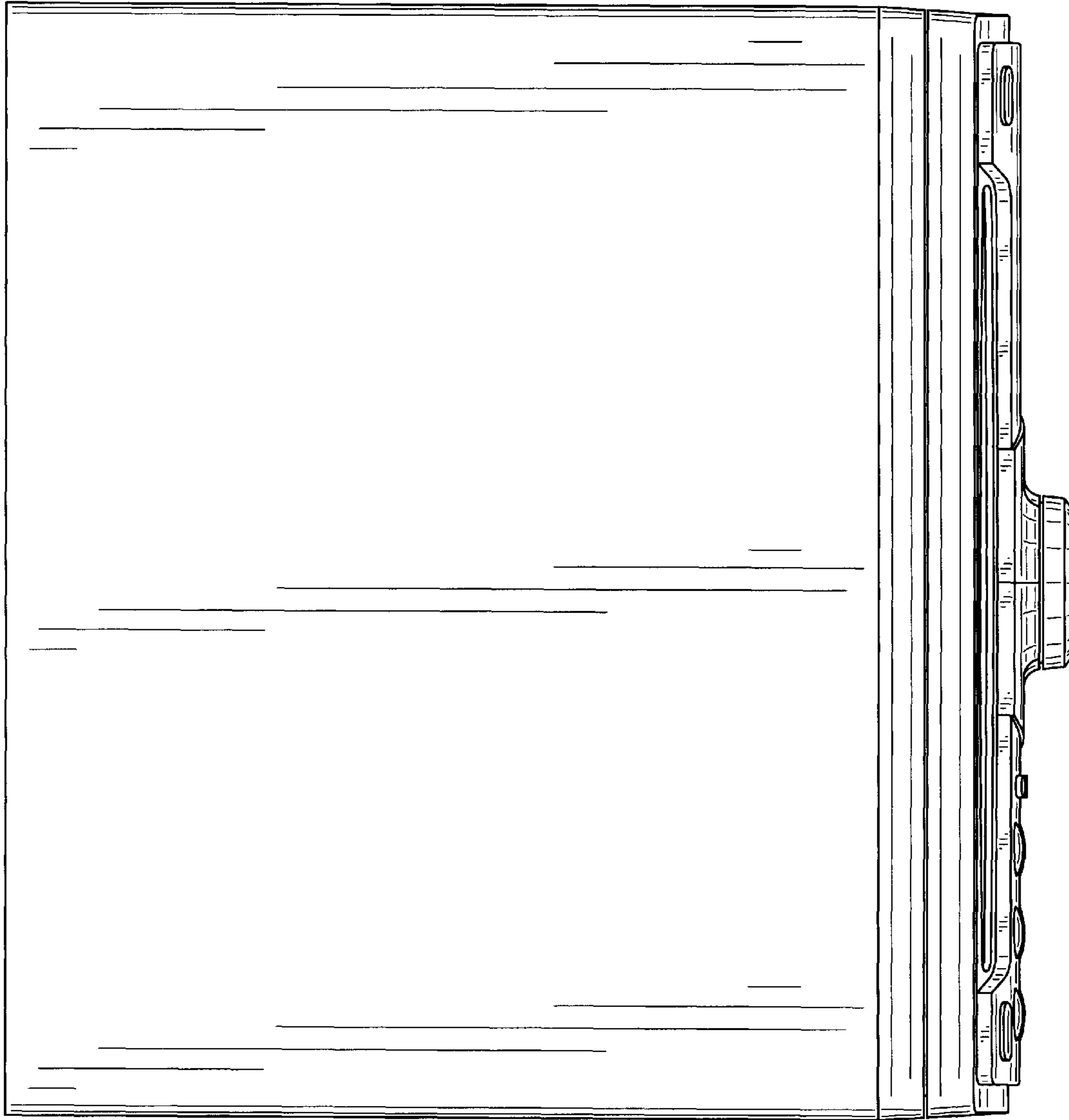


Fig.6

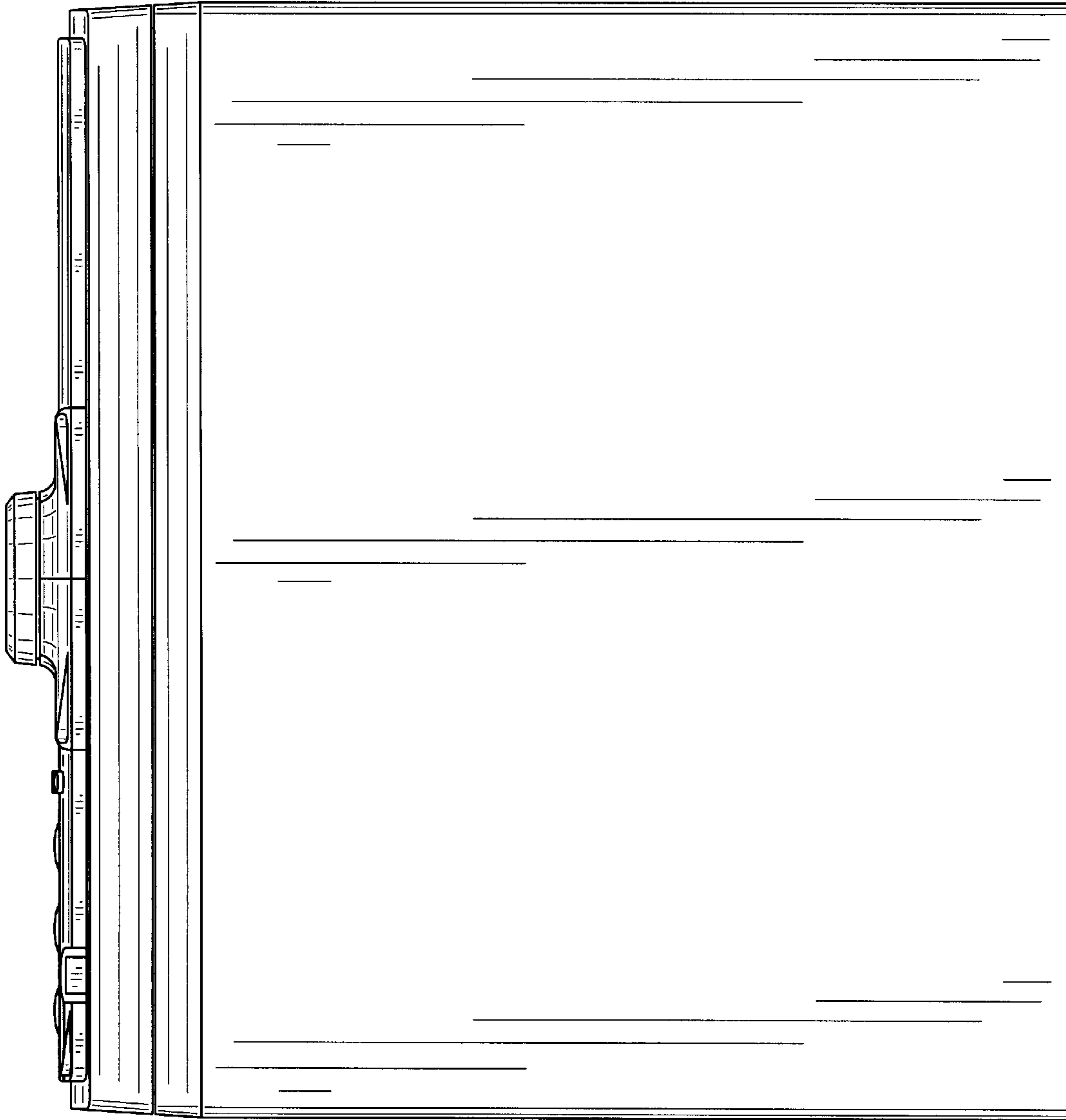


Fig.7