



US00D538254S

(12) **United States Design Patent** (10) **Patent No.:** **US D538,254 S**
Cutler et al. (45) **Date of Patent:** **** Mar. 13, 2007**

(54) **PORTION OF AN AUDIOVISUAL COMMUNICATION DEVICE**
(75) Inventors: **Ross G. Cutler**, Duvall, WA (US);
Jaysun Stockdell-Giesler, Brandon, FL (US)
(73) Assignee: **Microsoft Corporation**, Redmond, WA (US)
(**) Term: **14 Years**
(21) Appl. No.: **29/200,996**
(22) Filed: **Mar. 9, 2004**
(51) **LOC (8) Cl.** **14-03**
(52) **U.S. Cl.** **D14/149; D14/130**
(58) **Field of Classification Search** D14/130, D14/149, 150, 155, 159, 423, 144, 230, 233, D14/238; 379/202.01, 204.01; 348/14.01-14.06, 348/373; 370/260-268; 709/204, 205; 715/753; D16/202, 203, 208, 214, 232; D26/103, 119, D26/107, 112, 104, 108
See application file for complete search history.

5,633,681 A * 5/1997 Baxter et al. 348/373
D389,832 S * 1/1998 Chong D14/150
D412,331 S * 7/1999 Nakamura D14/155
D413,999 S * 9/1999 Diaz-Azcuy D26/110
D434,747 S * 12/2000 Bird et al. D14/150
D436,612 S * 1/2001 Geng D16/232
D439,892 S * 4/2001 Tal et al. D14/243
D446,533 S * 8/2001 Gatto D16/202
D457,150 S * 5/2002 Chen D14/150
D459,515 S * 6/2002 Gaskins et al. D26/67
6,411,332 B1 * 6/2002 Whitby et al. 348/376
6,437,826 B1 * 8/2002 Arnold 348/373
6,462,781 B1 * 10/2002 Arnold 348/373
6,466,249 B1 * 10/2002 Granot et al. 348/14.08
D474,169 S * 5/2003 Fletcher D14/159
D481,370 S * 10/2003 Popowski et al. D14/150
D490,433 S * 5/2004 Moriya et al. D14/423
D495,355 S * 8/2004 Mudd et al. D16/232

(Continued)

OTHER PUBLICATIONS

www.ivci.com, Sony PCS-G70, site first visited Jan. 3, 2005.*

Primary Examiner—Jeffrey Asch
(74) *Attorney, Agent, or Firm*—Banner & Witcoff, Ltd.

(56) **References Cited**

U.S. PATENT DOCUMENTS

D103,951 S * 4/1937 North D16/232
D195,095 S * 4/1963 Bardos et al. D26/55
D197,381 S * 1/1964 Müller D26/67
D208,719 S * 9/1967 de Vos D26/67
4,658,425 A * 4/1987 Julstrom 381/81
D292,283 S * 10/1987 Matsuda et al. D14/240
4,717,913 A * 1/1988 Elger 340/10.1
D300,531 S * 4/1989 Higgins D14/230
D317,005 S * 5/1991 Wickrema et al. D14/358
D327,479 S * 6/1992 Britz D14/225
D347,219 S * 5/1994 McGreevy D14/137
D349,714 S * 8/1994 Hasegawa D16/203
D355,416 S * 2/1995 McCay et al. D14/137
D364,388 S * 11/1995 Miyahara D14/423
D373,355 S * 9/1996 Huang et al. D14/130
5,561,737 A * 10/1996 Bowen 704/275
D375,319 S * 11/1996 Johnson et al. D16/202
5,596,648 A * 1/1997 Fast 381/77

(57) **CLAIM**

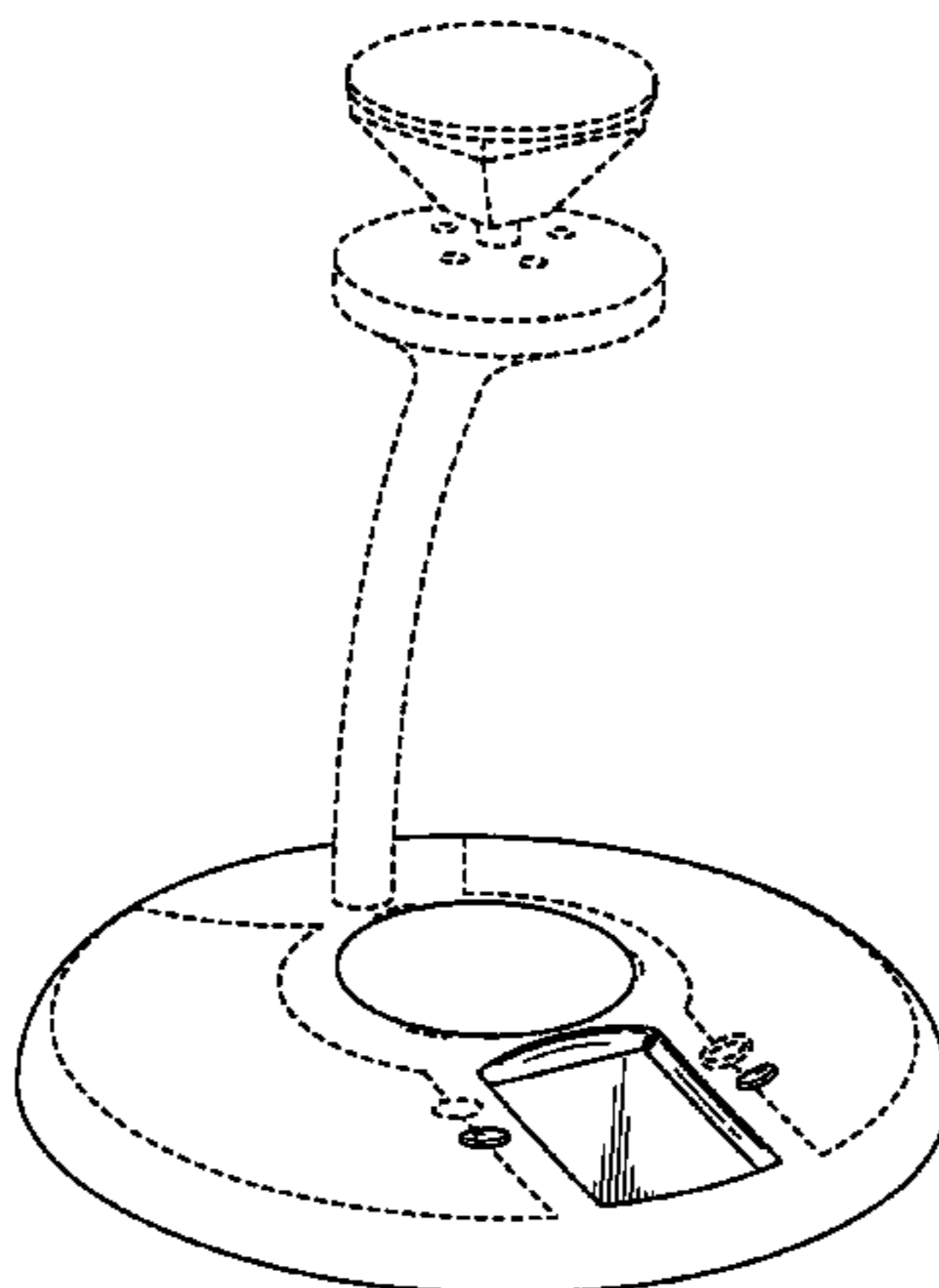
The ornamental design for a portion of an audiovisual communication device, as shown and described.

DESCRIPTION

FIG. 1 is a front perspective view of a portion of an audiovisual communication device showing our new design; FIG. 2 is a front view thereof; FIG. 3 is rear view thereof; FIG. 4 is a right view thereof; FIG. 5 is a left view thereof; and, FIG. 6 is a top view thereof.

The unshown bottom forms no part of the claimed design. The broken line showing of various regions and the unshaded regions therein are for illustrative purposes only and form no part of the claimed design.

1 Claim, 6 Drawing Sheets



US D538,254 S

Page 2

U.S. PATENT DOCUMENTS			
D495,676 S *	9/2004	Slevin et al.	D14/150
2003/0053620 A1 *	3/2003	Chen	379/447
2004/0001137 A1 *	1/2004	Cutler et al.	348/14.08
2004/0135879 A1 *	7/2004	Stacy et al.	348/14.02
2004/0183941 A1 *	9/2004	McCutchen	348/373
2004/0263611 A1 *	12/2004	Cutler	348/36

* cited by examiner

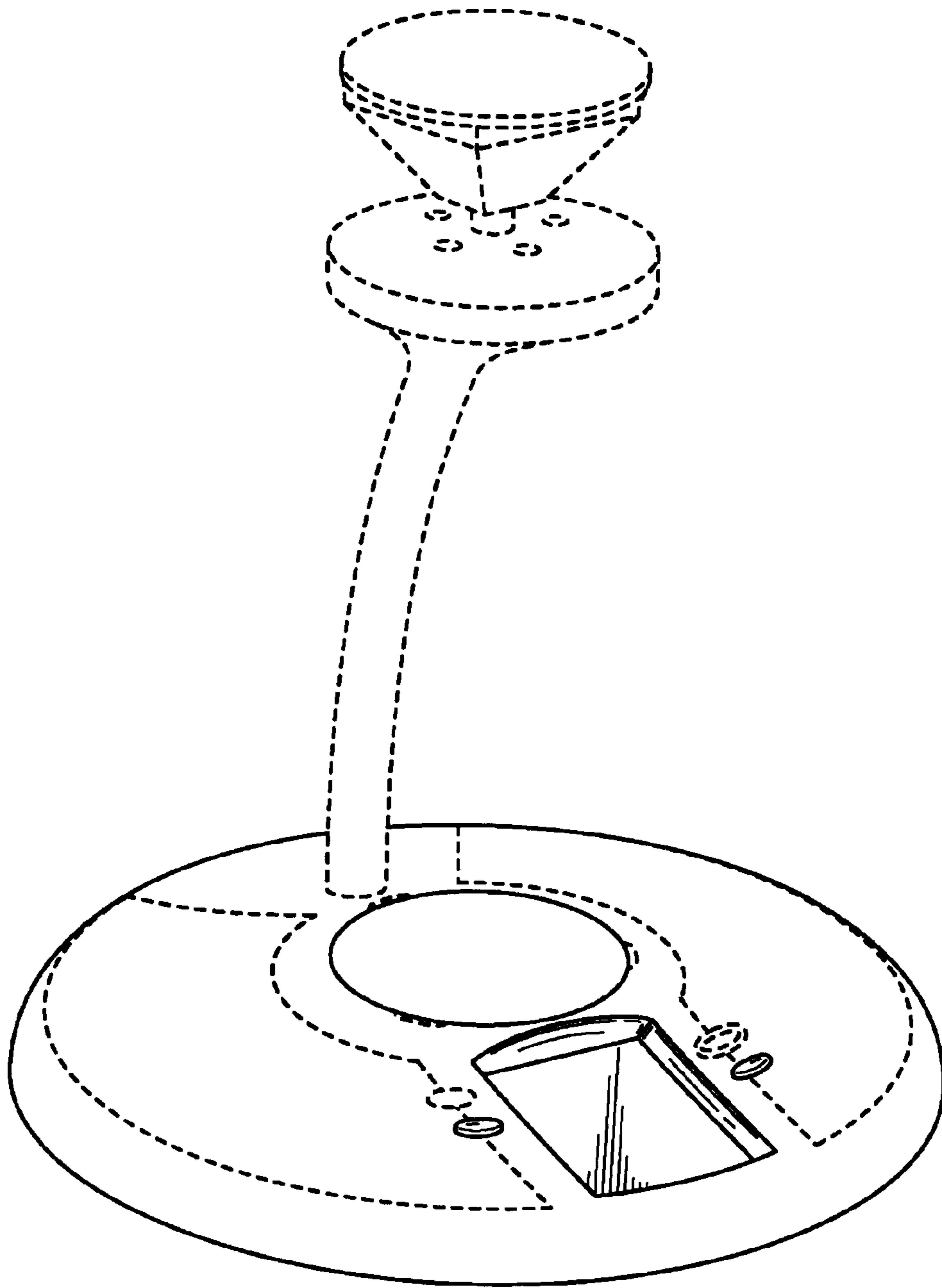


FIG. 1

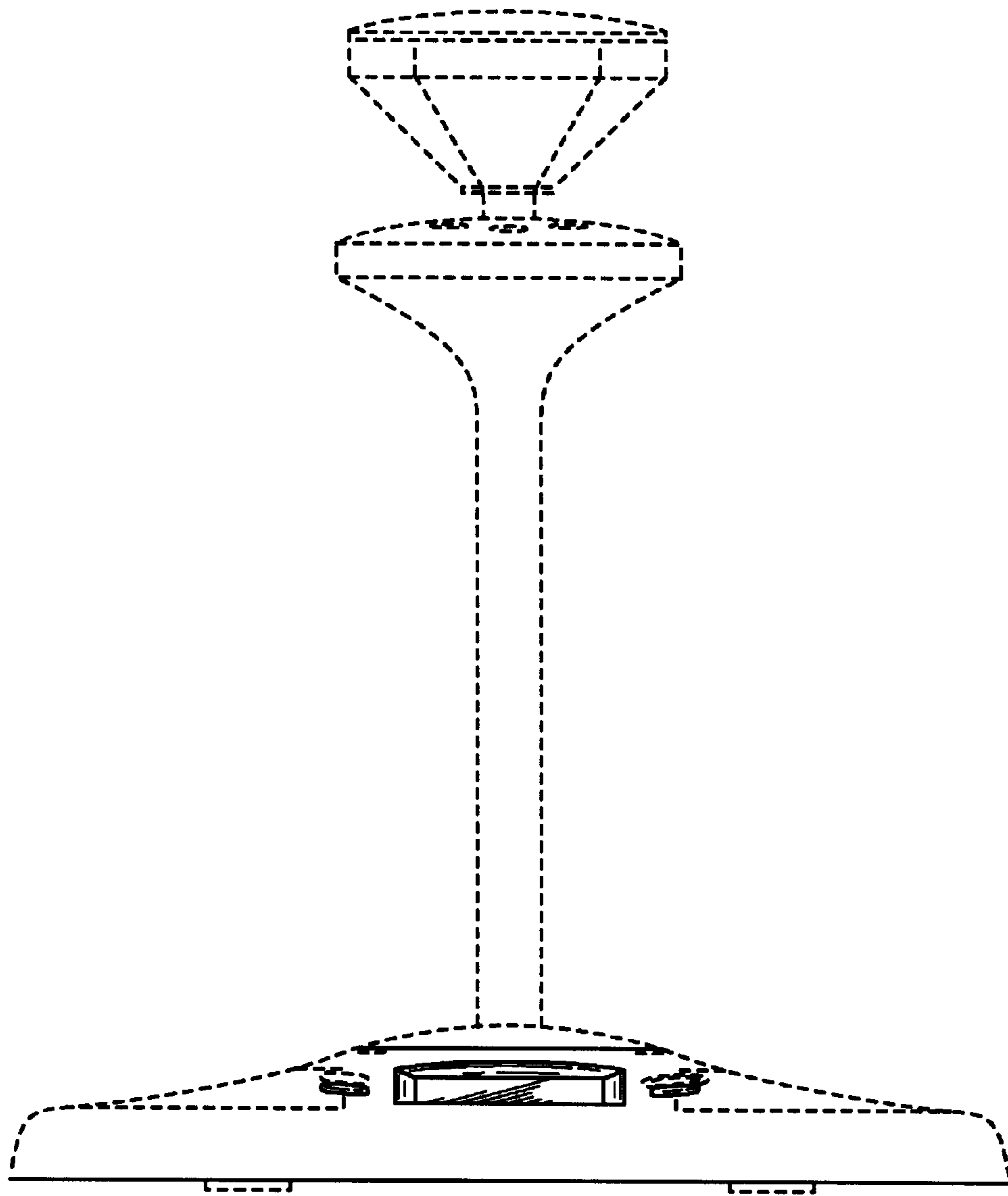


FIG. 2

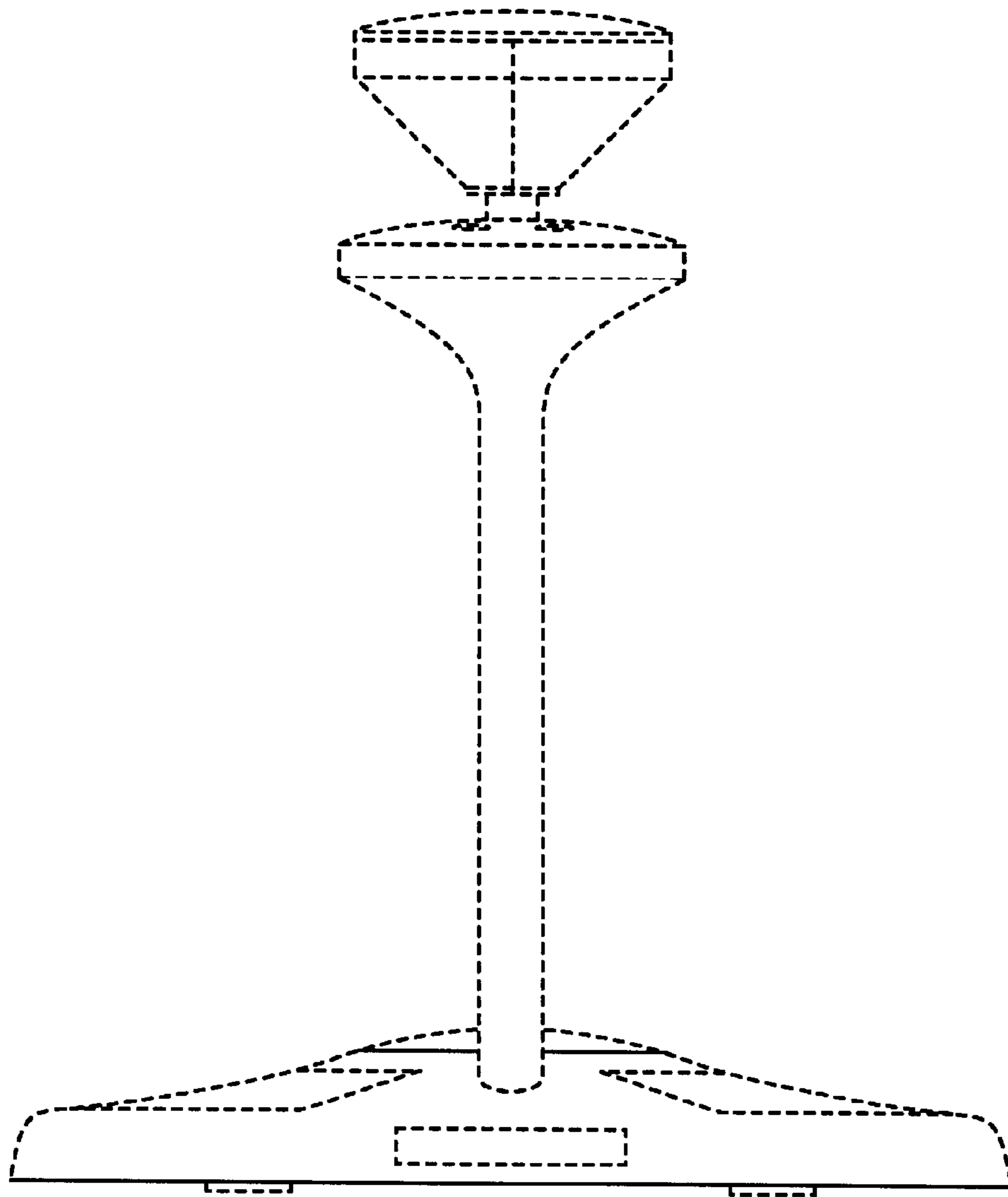


FIG. 3

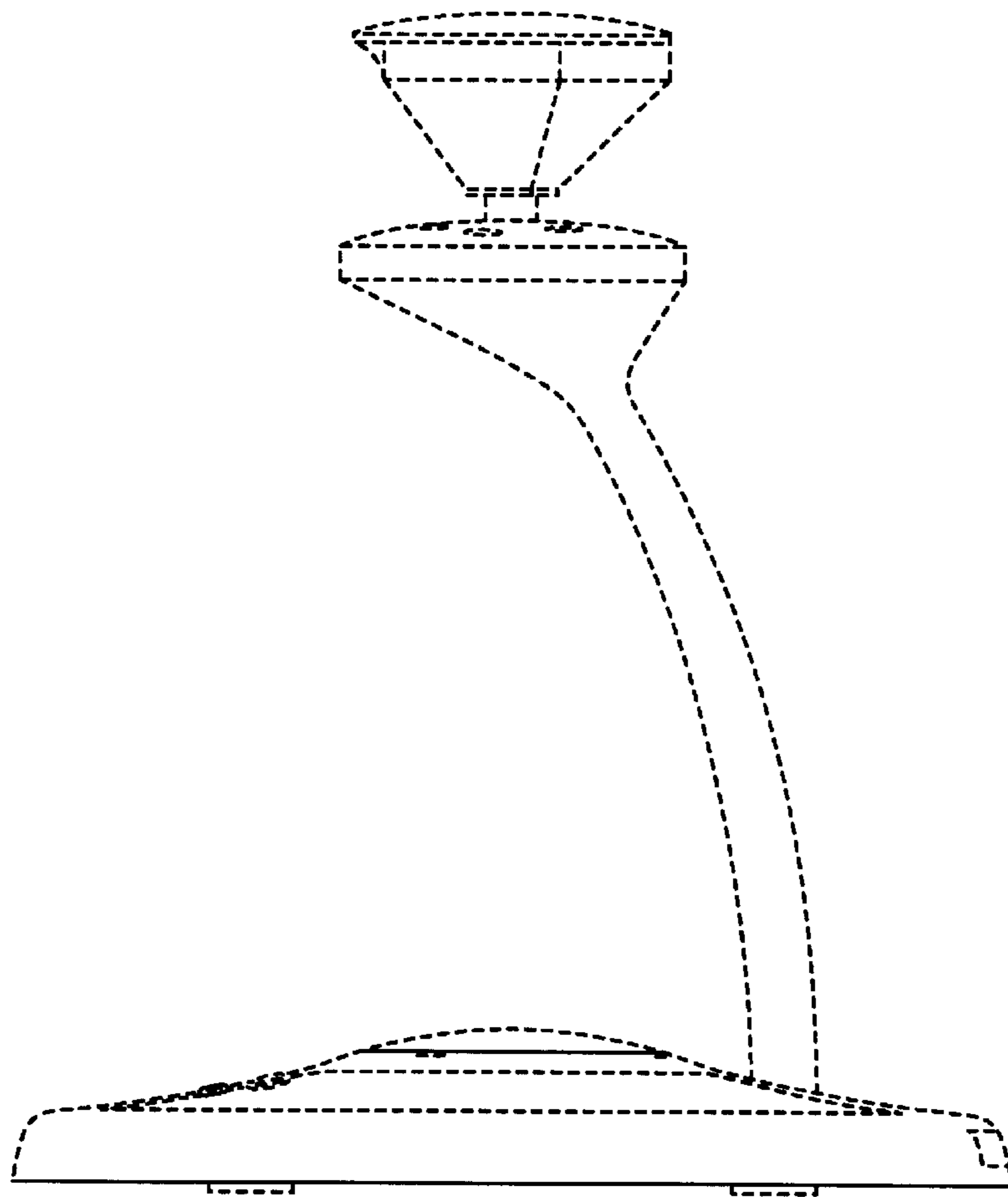


FIG. 4

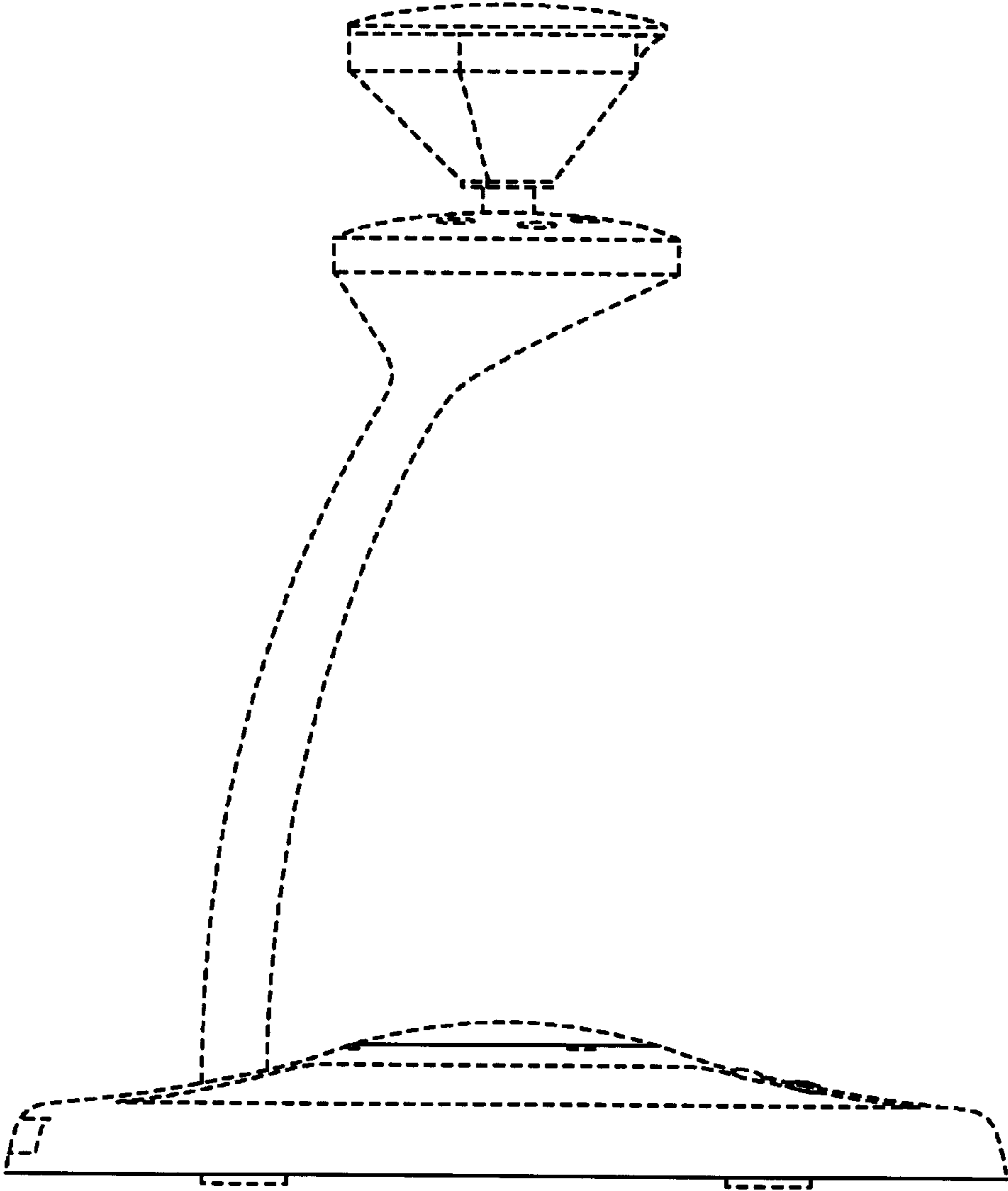


FIG. 5

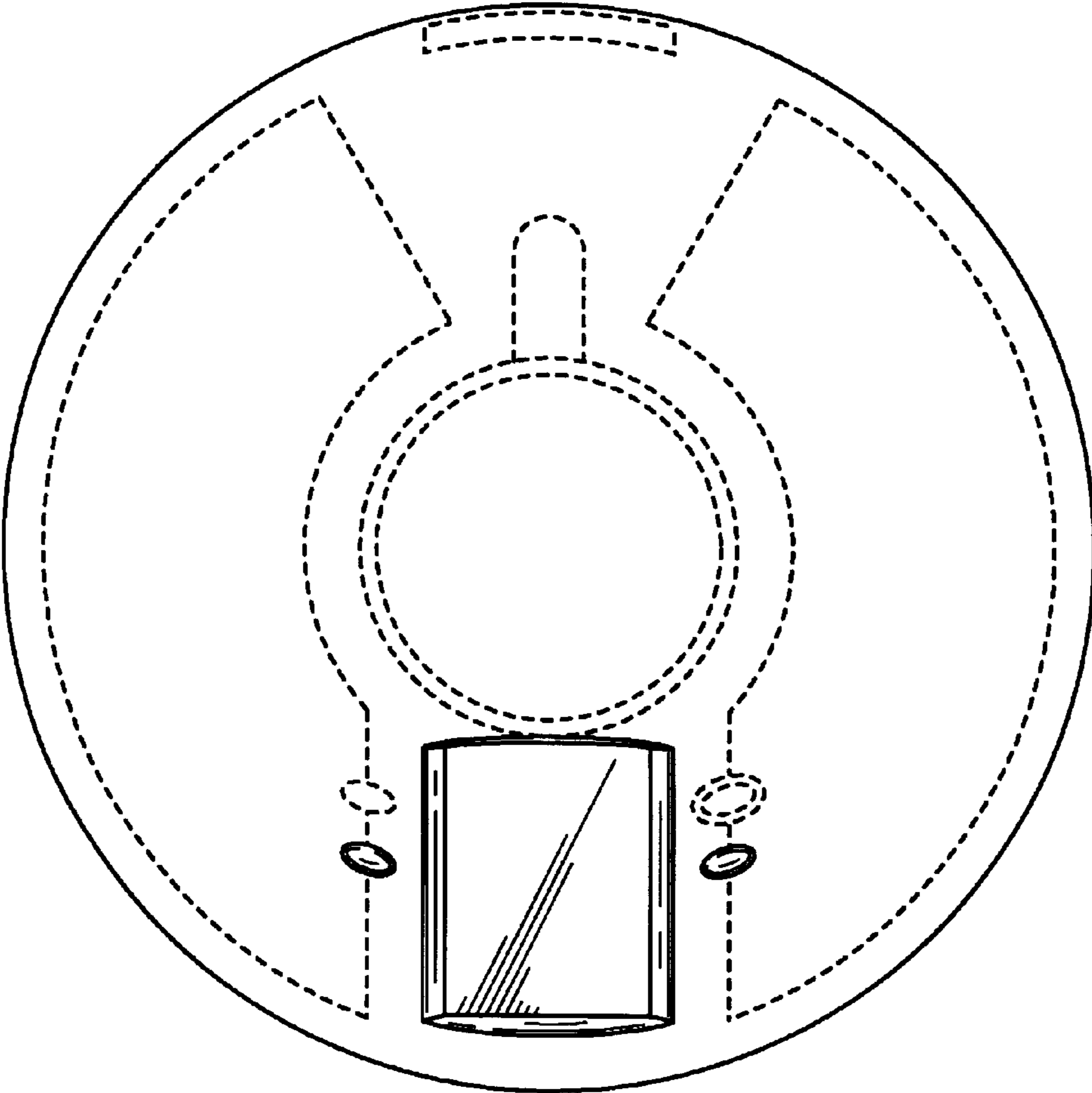


FIG. 6