



US00D538251S

(12) **United States Design Patent**
Park et al.

(10) **Patent No.:** **US D538,251 S**
(45) **Date of Patent:** **** Mar. 13, 2007**

(54) **MOBILE PHONE**

(75) Inventors: **Sang-Sik Park**, Gumi-si (KR);
Hyun-Seop Kim, Gunpo-si (KR);
Chang-Hwan Hwang, Goyang-si (KR)

(73) Assignee: **Samsung Electronics Co., Ltd.**,
Suwon-si (KR)

(**) **Term:** **14 Years**

(21) **Appl. No.:** **29/236,453**

(22) **Filed:** **Aug. 17, 2005**

(30) **Foreign Application Priority Data**

Feb. 17, 2005 (KR) 30-2005-0005057

(51) **LOC (8) Cl.** **14-03**

(52) **U.S. Cl.** **D14/138**

(58) **Field of Classification Search** D14/138,
D14/341-347, 137, 147, 218; 455/575.4,
455/90.3, 556.1, 556.2, 575.1, 575.3; 39/433.01-433.13;
361/814

See application file for complete search history.

(56) **References Cited**

U.S. PATENT DOCUMENTS

D411,994 S	*	7/1999	Nakahara et al.	D14/138
D459,327 S	*	6/2002	Ali	D14/138
D465,774 S	*	11/2002	Nuovo	D14/138
D479,514 S	*	9/2003	Chan	D14/138
D480,057 S	*	9/2003	Ho-Cheun et al.	D14/138
D487,886 S	*	3/2004	Ho-Cheun et al.	D14/138
D492,276 S	*	6/2004	Walliser et al.	D14/138
D492,657 S	*	7/2004	Jensfelt	D14/138
D495,307 S	*	8/2004	Yau et al.	D14/138
6,822,871 B2	*	11/2004	Lee et al.	361/727

(Continued)

FOREIGN PATENT DOCUMENTS

WO	DM/064133	*	5/2003
WO	DM/065843	*	8/2004
WO	DM/067110	*	9/2005

OTHER PUBLICATIONS

Phillips 755 pictures, announced 1st quarter 2004, [online], [retrieved on Sep. 27, 2006]. Retrieved from Internet , <URL: http://www.gsmarena.com>.*

Motorola W208 pictures, announced Jun. 2006, [online], [retrieved on Sep. 20, 2006]. Retrieved from Internet , <URL: http://www.gsmarena.com>.*

Phillips S660 pictures, announced Sep. 2006, [online], [retrieved on Sep. 27, 2006]. Retrieved from Internet , <URL: http://www.gsmarena.com>.*

Motorola L2 pictures, announced 1st quarter 2005, [online], [retrieved on Sep. 20, 2006]. Retrieved from Internet , <URL: http://www.gsmarena.com>.*

VK Mobile VK200 pictures, announced Feb. 2006, [online], [retrieved on Sep. 27, 2006]. Retrieved from Internet , <URL: http://www.gsmarena.com>.*

Motorola C980 pictures, announced 3rd quarter 2004, [online], [retrieved on Sep. 20, 2006]. Retrieved from Internet , <URL: http://www.gsmarena.com>.*

Motorola E380 pictures, announced 2003, [online], [retrieved on Sep. 28, 2006]. Retrieved from Internet , <URL: http://www.gsmarena.com>.*

Primary Examiner—Jeffrey Asch

Assistant Examiner—Bridget L. Eland

(74) *Attorney, Agent, or Firm*—Staas & Halsey LLP

(57) **CLAIM**

The ornamental design for the mobile phone, as shown and described.

DESCRIPTION

FIG. 1 is a perspective view of the mobile phone showing our design;

FIG. 2 is a front view thereof;

FIG. 3 is a rear view thereof;

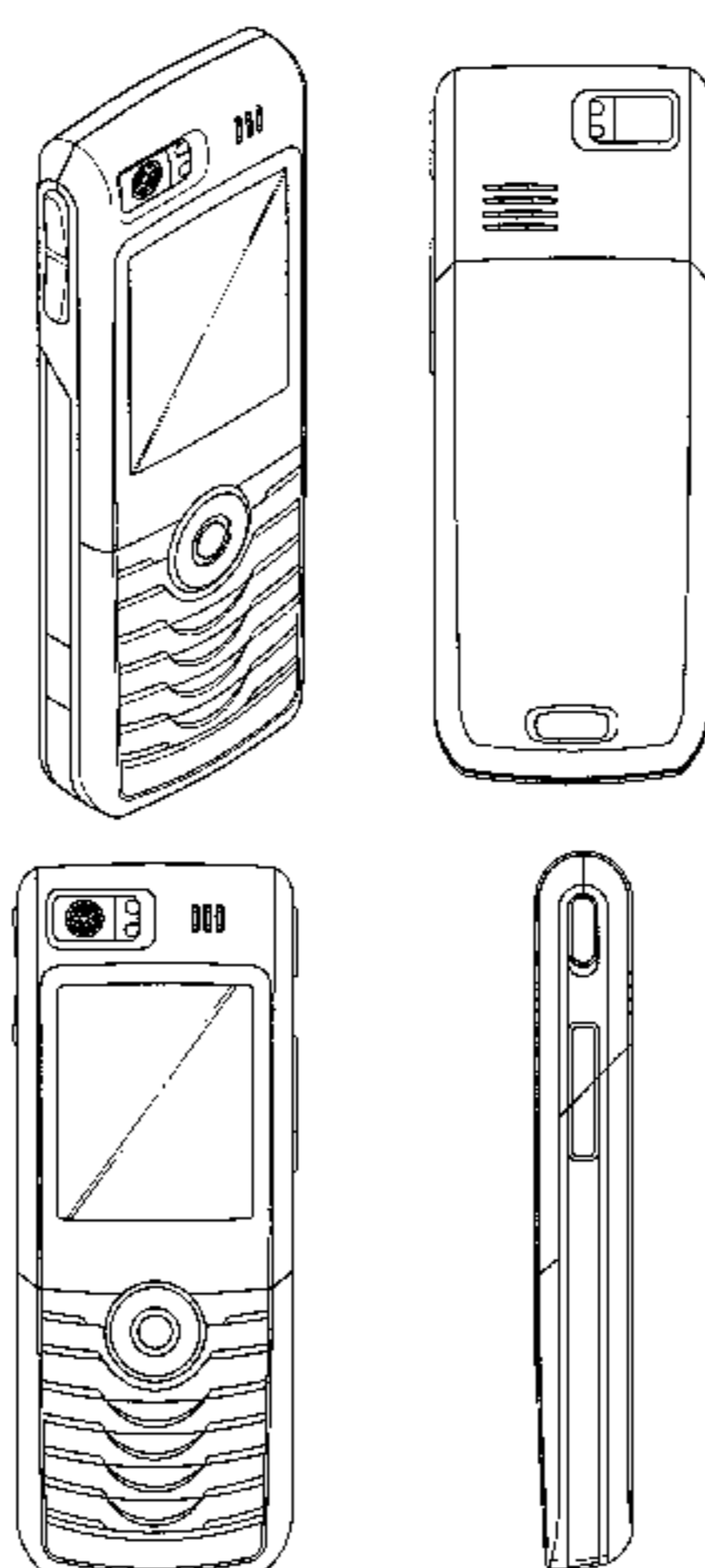
FIG. 4 is a left side view thereof;

FIG. 5 is a right side view thereof;

FIG. 6 is a top plan view thereof; and,

FIG. 7 is a bottom plan view thereof.

1 Claim, 2 Drawing Sheets



US D538,251 S

Page 2

U.S. PATENT DOCUMENTS

D499,709 S	*	12/2004	Nuovo et al.	D14/138	D515,532 S	*	2/2006	Shintani	D14/138
D500,992 S	*	1/2005	Shen et al.	D14/138	D515,543 S	*	2/2006	Shintani	D14/138
D501,475 S	*	2/2005	Kim	D14/346	D518,807 S	*	4/2006	Choi et al.	D14/138
D509,206 S	*	9/2005	Jang	D14/138	D519,094 S	*	4/2006	Helin	D14/138
D513,740 S	*	1/2006	Park et al.	D14/138	D526,984 S	*	8/2006	Kim et al.	D14/138
D514,539 S	*	2/2006	Lai et al.	D14/138	D527,365 S	*	8/2006	Jang	D14/138
D515,528 S	*	2/2006	Miyazawa et al.	D14/138					

* cited by examiner

FIG. 1

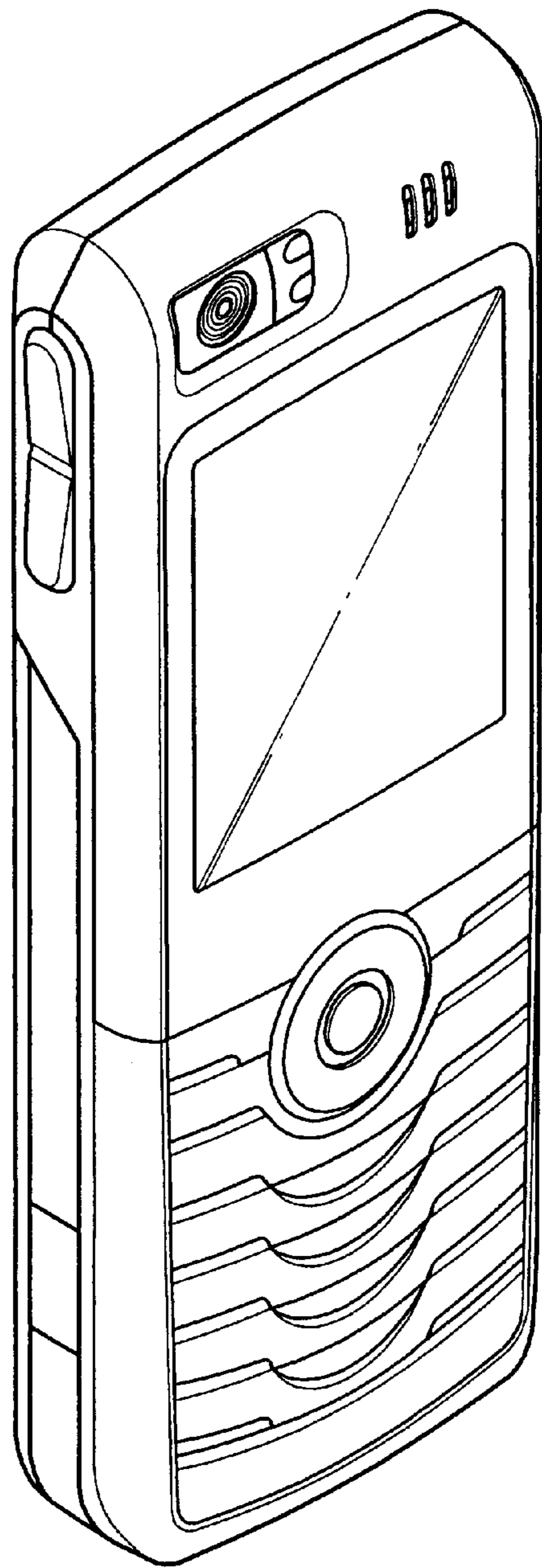


FIG. 2

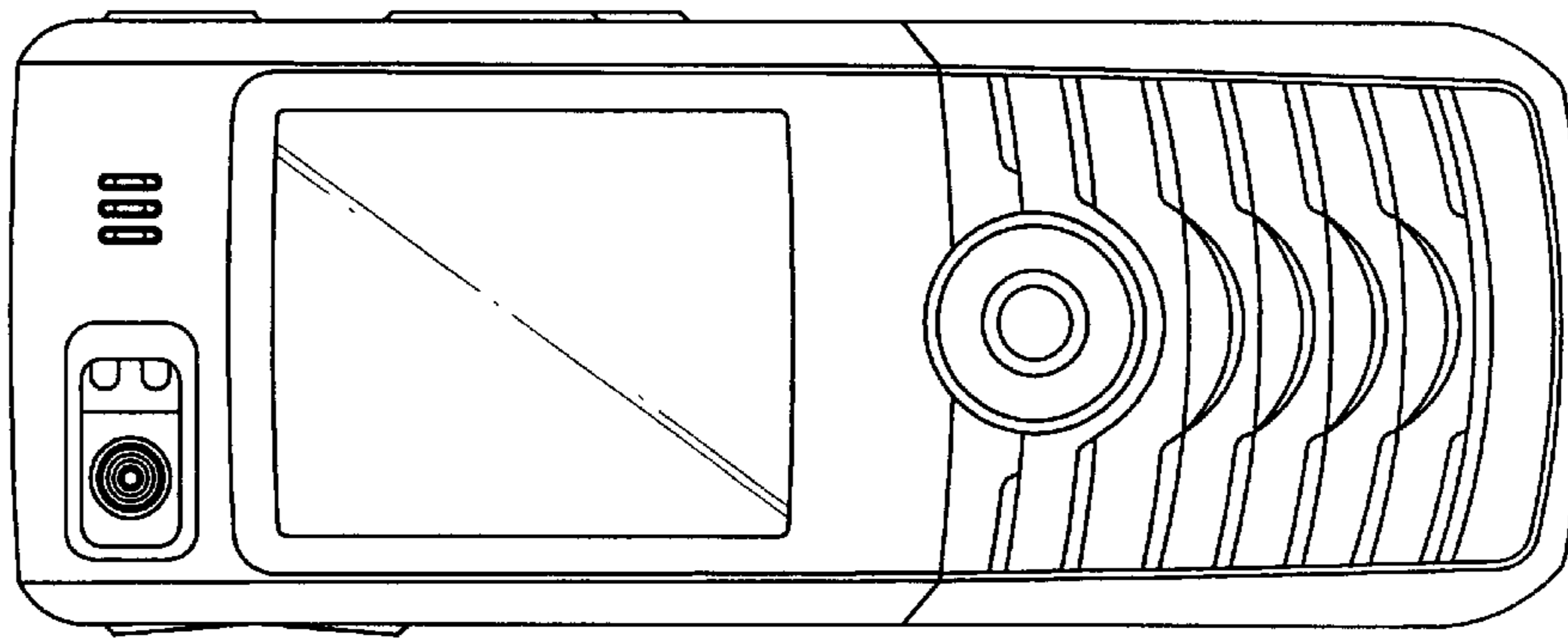


FIG. 3

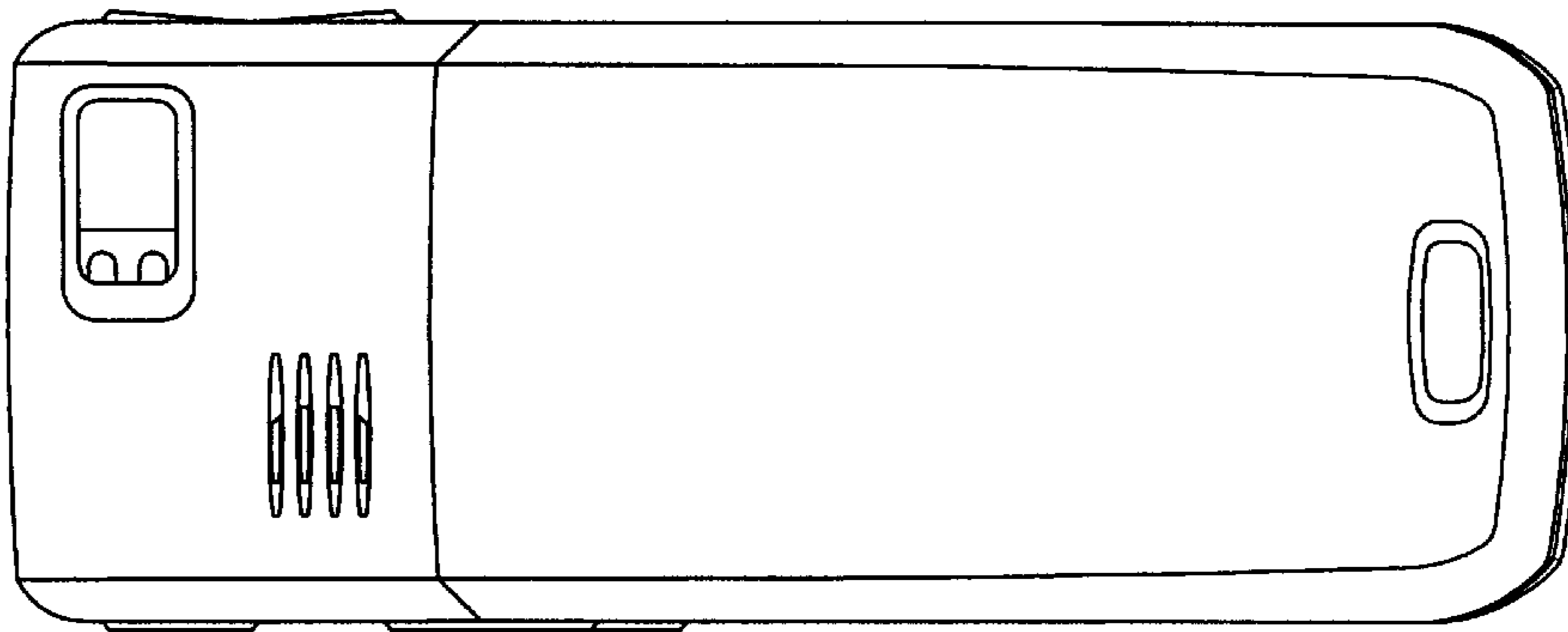


FIG. 4

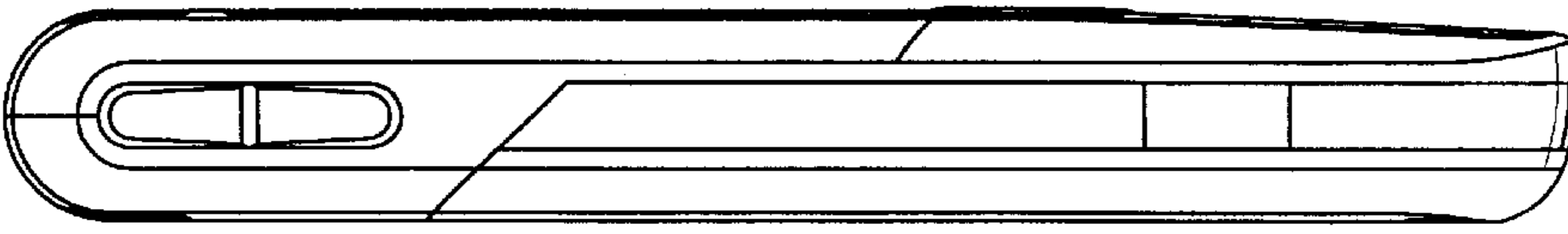


FIG. 5

