



US00D538250S

(12) **United States Design Patent**
Choi et al.

(10) **Patent No.:** **US D538,250 S**
(45) **Date of Patent:** **** Mar. 13, 2007**

(54) **PORTABLE TELEPHONE**
(75) Inventors: **Hyok-Su Choi**, Seoul (KR);
Yoon-Young Cho, Seoul (KR);
Chang-Hwan Hwang, Seoul (KR)
(73) Assignee: **Samsung Electronics Co., Ltd.**,
Kyunggi-do (KR)
(**) Term: **14 Years**

D485,818 S 1/2004 Yabe et al.
D486,811 S 2/2004 Lheem
D487,438 S * 3/2004 Sheu D14/138
D487,443 S 3/2004 Yoon
D487,444 S 3/2004 Yoon
D488,453 S 4/2004 Chang et al.
D489,698 S 5/2004 Kim et al.
D489,699 S 5/2004 Hwang et al.
D490,389 S 5/2004 Yang
D491,906 S 6/2004 Okamatsu
D491,907 S 6/2004 Ogawa

(21) Appl. No.: **29/235,467**
(22) Filed: **Aug. 2, 2005**

(51) **LOC (8) Cl.** **14-03**
(52) **U.S. Cl.** **D14/138**
(58) **Field of Classification Search** D14/138,
D14/341-347, 137, 147, 218, 345, 346; 455/575.4,
455/90.3, 556.1, 556.2, 575.1, 575.3; 379/433.01-433.13;
361/814
See application file for complete search history.

(Continued)
FOREIGN PATENT DOCUMENTS

JP D1154363 9/2002
WO DM/064133 * 5/2003
WO DM/065946 * 9/2004
WO DM/066301 * 12/2004

OTHER PUBLICATIONS
Samsung X630 pictures, announced 2nd quarter 2006, [on-
line], [retrieved on Sep. 29, 2006]. Retrieved from
Internet ,<URL:http://www.gsmarena.com>.*

(56) **References Cited**
U.S. PATENT DOCUMENTS

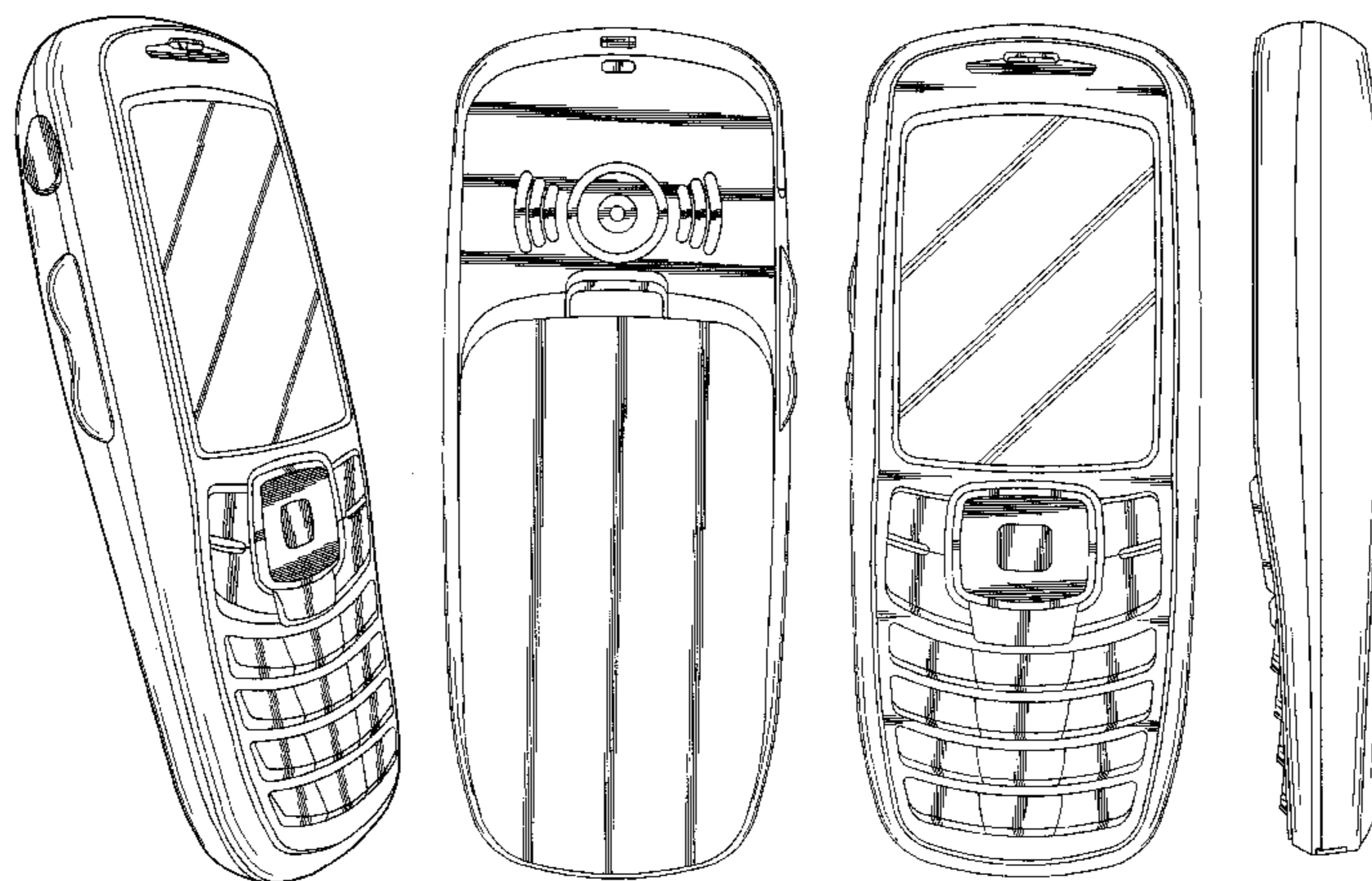
5,027,394 A 6/1991 Ono et al.
5,428,350 A 6/1995 Kurcbart et al.
5,436,954 A 7/1995 Nishiyama et al.
D407,716 S 4/1999 Park
D407,717 S 4/1999 Kim
D407,718 S 4/1999 Lee
D410,920 S 6/1999 Lee et al.
D411,537 S 6/1999 Lee
D414,765 S 10/1999 Park
D415,151 S 10/1999 Kim
D415,488 S 10/1999 Lee
6,069,648 A 5/2000 Suso et al.
D431,827 S 10/2000 Yim
6,389,267 B1 5/2002 Imai
6,396,924 B1 5/2002 Suso et al.
D458,594 S 6/2002 Jang
D477,293 S 7/2003 Hwang
D484,475 S * 12/2003 Sheu D14/138
D484,862 S 1/2004 Yang
D484,863 S 1/2004 Chan
D485,249 S 1/2004 Liao et al.

(Continued)
Primary Examiner—Jeffrey Asch
Assistant Examiner—Bridget L. Eland
(74) *Attorney, Agent, or Firm*—Flynn, Thiel, Boutell &
Tanis, P.C.

(57) **CLAIM**
The ornamental design for a portable telephone, as shown
and described.

DESCRIPTION
FIG. 1. is a top front perspective view of a portable tele-
phone showing our new design.
FIG. 2. is a front elevational view thereof.
FIG. 3. is a rear elevational view thereof.
FIG. 4. is a left side elevational view thereof.
FIG. 5. is a right side elevational view thereof.
FIG. 6. is a top plan view thereof; and,
FIG. 7. is a bottom plan view thereof.

1 Claim, 5 Drawing Sheets



U.S. PATENT DOCUMENTS

D493,439	S	7/2004	Hong et al.	
D493,440	S	7/2004	Chou et al.	
D494,949	S	* 8/2004	Arnholt et al.	D14/138
D495,672	S	9/2004	Jeon et al.	
D495,674	S	9/2004	Yoo et al.	
D496,020	S	9/2004	Lee	
D496,021	S	9/2004	Jang	
D496,921	S	* 10/2004	Hwang	D14/138
D500,993	S	1/2005	Hwang	
D501,458	S	2/2005	Kim et al.	
D501,658	S	2/2005	Park et al.	
D501,837	S	2/2005	Kim et al.	
D501,838	S	2/2005	Kim et al.	
D502,157	S	* 2/2005	Kim et al.	D14/138
D502,161	S	2/2005	Kim et al.	
D502,455	S	* 3/2005	Brandis et al.	D14/138
D502,456	S	* 3/2005	Huang	D14/138
D503,163	S	* 3/2005	Chan et al.	D14/138
D503,164	S	3/2005	Park et al.	
D504,406	S	4/2005	Cho et al.	
D505,125	S	5/2005	Ahn et al.	
D505,126	S	5/2005	Ahn et al.	
D505,934	S	* 6/2005	Gonser	D14/138
D506,191	S	* 6/2005	Majanen	D14/138
D506,454	S	6/2005	Kim et al.	
D506,738	S	6/2005	Kim et al.	
D507,252	S	7/2005	Kim et al.	
D507,550	S	7/2005	Kim et al.	
D507,551	S	7/2005	Kim et al.	
D507,787	S	7/2005	Ahn et al.	
D508,031	S	8/2005	Kim et al.	
D508,033	S	8/2005	Kim et al.	
D508,035	S	8/2005	Kim et al.	
D508,240	S	8/2005	Lee et al.	
D508,473	S	8/2005	Lee et al.	
D508,685	S	8/2005	Kim et al.	
D508,686	S	8/2005	Kim et al.	
D508,688	S	8/2005	Lee et al.	
D508,903	S	8/2005	Kim et al.	
D510,078	S	9/2005	Lee et al.	
D510,922	S	10/2005	Kim et al.	
D512,975	S	* 12/2005	Tsai et al.	D14/138
D513,503	S	* 1/2006	Huang	D14/138
D514,538	S	* 2/2006	Chan et al.	D14/138
D514,542	S	* 2/2006	Bertrand et al.	D14/138
D515,059	S	* 2/2006	Wu	D14/138
D515,531	S	* 2/2006	Keevy	D14/138
D515,534	S	* 2/2006	Park et al.	D14/138
D515,543	S	* 2/2006	Shintani	D14/138
D516,050	S	* 2/2006	Lodato et al.	D14/138
D517,518	S	* 3/2006	Nakajima et al.	D14/138
D522,988	S	* 6/2006	Sheu	D14/138
D524,276	S	* 7/2006	Kim et al.	D14/138
D524,781	S	* 7/2006	Lyles	D14/138
2001/0036845	A1	11/2001	Park	
2002/0187818	A1	12/2002	Kang	
2003/0109232	A1	6/2003	Park et al.	
2004/0009790	A1	1/2004	Im	
2004/0023684	A1	2/2004	Sato et al.	
2004/0097258	A1	5/2004	Lee et al.	
2004/0097262	A1	5/2004	Lee	
2004/0132513	A1	7/2004	Taneda et al.	
2004/0142718	A1	7/2004	Kim	
2004/0142734	A1	7/2004	Kim	
2006/0111146	A1	* 5/2006	Kim	455/557

OTHER PUBLICATIONS

Samsung C120 pictures, announced 4th quarter 2005, [online], [retrieved on Sep. 9, 2006]. Retrieved from Internet ,<URL:http://www.gsmarena.com>.*

Nokia 2610 pictures, announced Mar. 2006, [online], [retrieved on Sep. 29, 2006]. Retrieved from Internet ,<URL:http://www.gsmarena.com>.*

Motorola A835 pictures, announced 2003, [online], [retrieved on Sep. 29, 2006]. Retrieved from Internet ,<URL: http://www.gsmarena.com>.*

Alcatel OT 757 pictures, announced 4th quarter 2004, [online], [retrieved on Sep. 29, 2006]. Retrieved from Internet ,<URL: http://www.gsmarena.com>.*

Siemens AX72 pictures, announced Oct. 2005, [online], [retrieved on Sep. 20, 2006]. Retrieved from Internet ,<URL: http://www.gsmarena.com>.*

BenQ M300 pictures, announced 1st quarter 2004, [online], [retrieved on Sep. 29, 2006]. Retrieved from Internet ,<URL: http://www.gsmarena.com>.*

Siemens A75 pictures, announced 1st quarter 2005, [online], [retrieved on Sep. 29, 2006]. Retrieved from Internet ,<URL: http://www.gsmarena.com>.*

Alcatel OT 556 pictures, announced 1st quarter 2004, [online], [retrieved on Sep. 29, 2006]. Retrieved from internet ,<URL: http://www.gsmarena.com>.*

Nokia 1110i pictures, announced Jun. 2006, [online], [retrieved on Sep. 29, 2006]. Retrieved from Internet ,<URL: http://www.gsmarena.com>.*

Samsung Z370 pictures, announced Aug. 2006, [online], [retrieved on Sep. 29, 2006]. Retrieved from Internet ,<URL: http://www.gsmarena.com>.*

Sagem MY V-75 pictures, announced 1st quarter 2004, [online], [retrieved on Sep. 29, 2006]. Retrieved from Internet ,<URL: http://www.gsmarena.com>.*

U.S. Appl. No. 29/204,878, Applicant: Bum-Soo Park, et al., filed May 5, 2004 entitled Portable Telephone.

U.S. Appl. No. 29/204,882, Applicant: Jin-Soo Kim, et al., filed May 5, 2004 entitled Portable Telephone.

U.S. Appl. No. 29/204,874, Applicant: Jin-Soo Kim, et al., filed May 5, 2004 entitled Portable Telephone.

U.S. Appl. No. 29/204,875, Applicant: Jin-Soo Kim, et al., filed May 5, 2004 entitled Portable Telephone.

U.S. Appl. No. 29/204,883, Applicant: Jin-Soo Kim, et al., filed May 5, 2004 entitled Portable Telephone.

U.S. Appl. No. 29/205,546, Applicant: Chi-Young Ahn, et al., filed May 17, 2004 entitled Portable Telephone.

U.S. Appl. No. 29/214,253, Applicant: Hye-Jeong Lee, et al., filed Sep. 27, 2004 entitled Portable Telephone.

U.S. Appl. No. 29/216,563, Applicant: Jin-Soo Kim, et al., filed Nov. 4, 2004 entitled Portable Telephone.

U.S. Appl. No. 29/226,417, Applicant: Jin-Soo Kim, et al., filed Mar. 29, 2005 entitled Portable Telephone.

U.S. Appl. No. 29/231,234, Applicant: Yun-Jin Park, et al., filed Jun. 2, 2005 entitled Portable Telephone.

U.S. Appl. No. 29/235,651, Applicant: Eun-Young Kim, et al., filed Aug. 4, 2005 entitled Portable Telephone.

U.S. Appl. No. 29/235,652, Applicant: Eun-Young Kim, et al., filed Aug. 4, 2005 entitled Portable Telephone.

U.S. Appl. No. 29/226,462, Applicant: Yu-Guen Kim, et al., filed Mar. 29, 2005 entitled Portable Telephone.

U.S. Appl. No. 29/226,463, Applicant: Jin-Soo Kim, et al., filed Mar. 29, 2005 entitled Portable Telephone.

U.S. Appl. No. 29/226,465, Applicant: Ki-Eon Lee, et al., filed Mar. 29, 2005 entitled Portable Telephone.

U.S. Appl. No. 29/226,464, Applicant: Joon-Ki Yun, et al., filed Mar. 29, 2005 entitled Portable Telephone.
U.S. Appl. No. 29/226,454, Applicant: Woo-Seung Han, et al., filed Mar. 29, 2005 entitled Portable Telephone.
U.S. Appl. No. 29/226,982, Applicant: Yu-Guen Kim, et al., filed Apr. 5, 2005 entitled Portable Telephone.
U.S. Appl. No. 29/226,990, Applicant: Yu-Guen Kim, et al., filed Apr. 5, 2005 entitled Portable Telephone.
U.S. Appl. No. 29/226,339, Applicant: Joon-Suh Kim, et al., filed Apr. 7, 2005 entitled Portable Telephone.
U.S. Appl. No. 29/227,338, Applicant: Joon-Suh Kim, et al., filed Apr. 7, 2005 entitled Portable Telephone.
U.S. Appl. No. 29/227,258, Applicant: Min-Ah Koh, et al., filed Apr. 8, 2005 entitled Portable Telephone.
U.S. Appl. No. 29/219,068, Applicant: Dae-Yoeb Park, et al., filed Dec. 10, 2004 entitled Portable Telephone.
U.S. Appl. No. 29/224,338, Applicant: Ha-Youl Jung, et al., filed Mar. 3, 2005 entitled Portable Telephone.
U.S. Appl. No. 29/231,235, Applicant: Yun-Jin Park, et al., filed Jun. 2, 2005 entitled Portable Telephone.
U.S. Appl. No. 29/226,455, Applicant: Woo-Seung Han, et al., filed Mar. 29, 2005 entitled Portable Telephone.

U.S. Appl. No. 29/226,418, Applicant: Ji-Hyun Moon, et al., filed Mar. 29, 2005 entitled Portable Telephone.
U.S. Appl. No. 29/226,419, Applicant: Min-Ah Koh, et al., filed Mar. 29, 2005 entitled Portable Telephone.
U.S. Appl. No. 29/226,420, Applicant: Min-Hyouk Lee, et al., filed Mar. 29, 2005 entitled Portable Telephone.
U.S. Appl. No. 29/226,442, Applicant: Min-Hyouk Lee, et al., filed Mar. 29, 2005 entitled Portable Telephone.
U.S. Appl. No. 29/226,443, Applicant: Jin-Soo Kim, et al., filed Mar. 29, 2005 entitled Portable Telephone.
U.S. Appl. No. 29/226,470, Applicant: Nam-Su Kim, et al., filed Mar. 29, 2005 entitled Portable Telephone.
U.S. Appl. No. 29/226,474, Applicant: Nam-Su Kim, et al., filed Mar. 29, 2005 entitled Portable Telephone.
U.S. Appl. No. 29/226,460, Applicant: Nam-Su Kim, et al., filed Mar. 29, 2005 entitled Portable Telephone.
U.S. Appl. No. 29/226,461, Applicant: Joon-Ki Yun, et al., filed Mar. 29, 2005 entitled Portable Telephone.

* cited by examiner

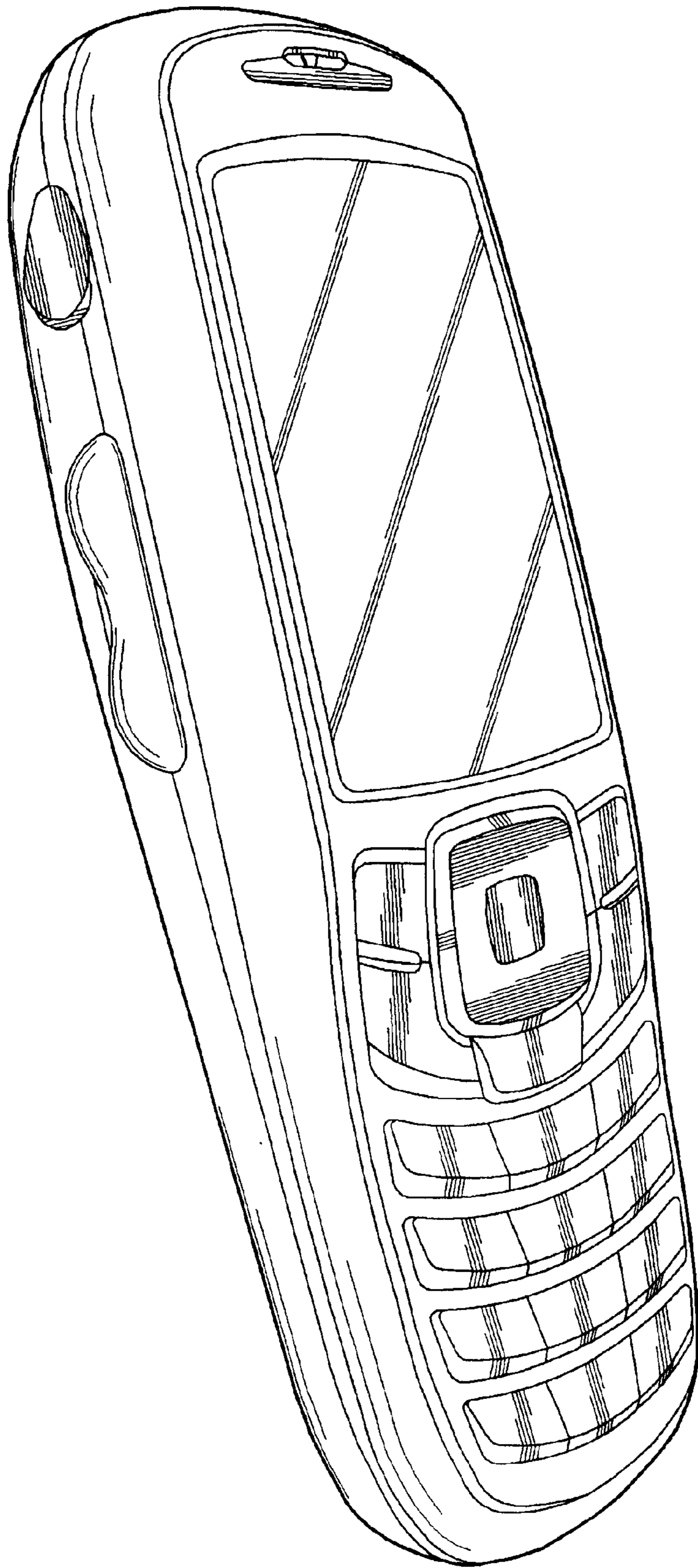


FIG. 1

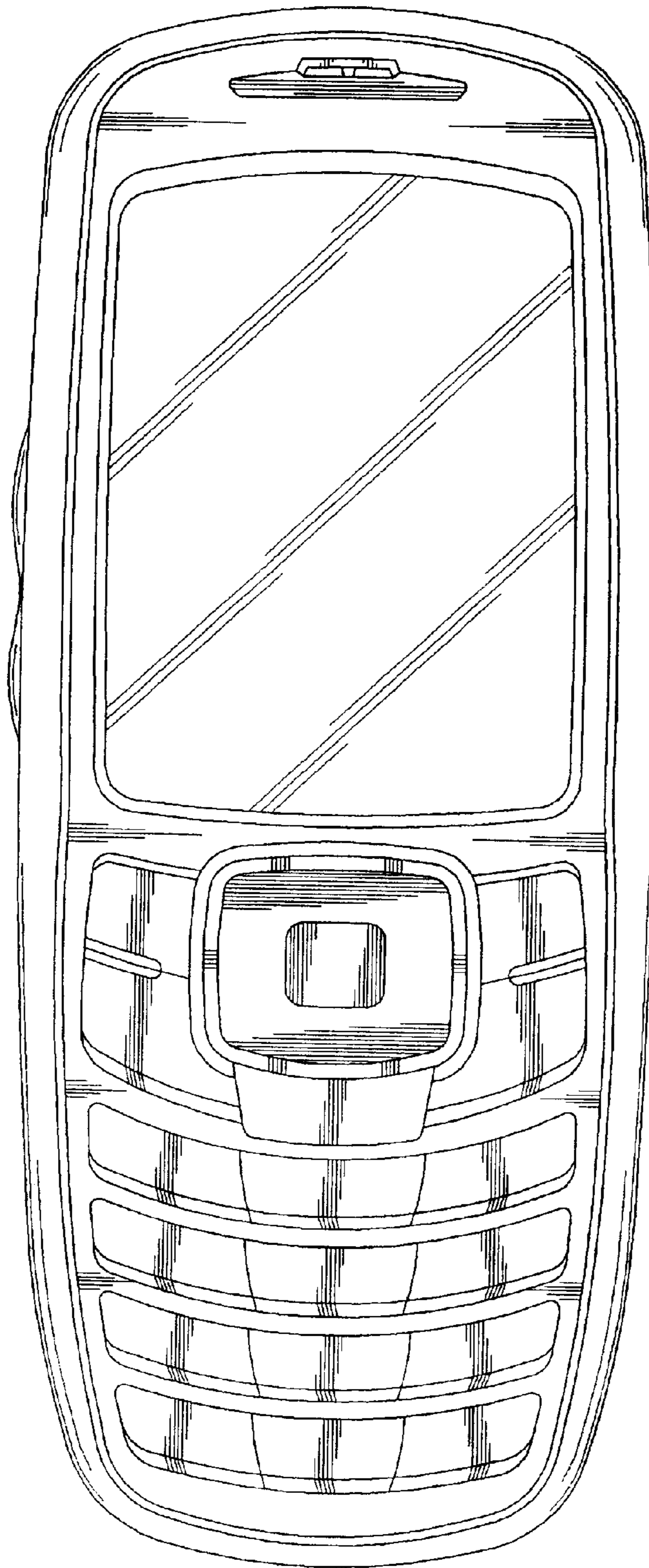


FIG. 2

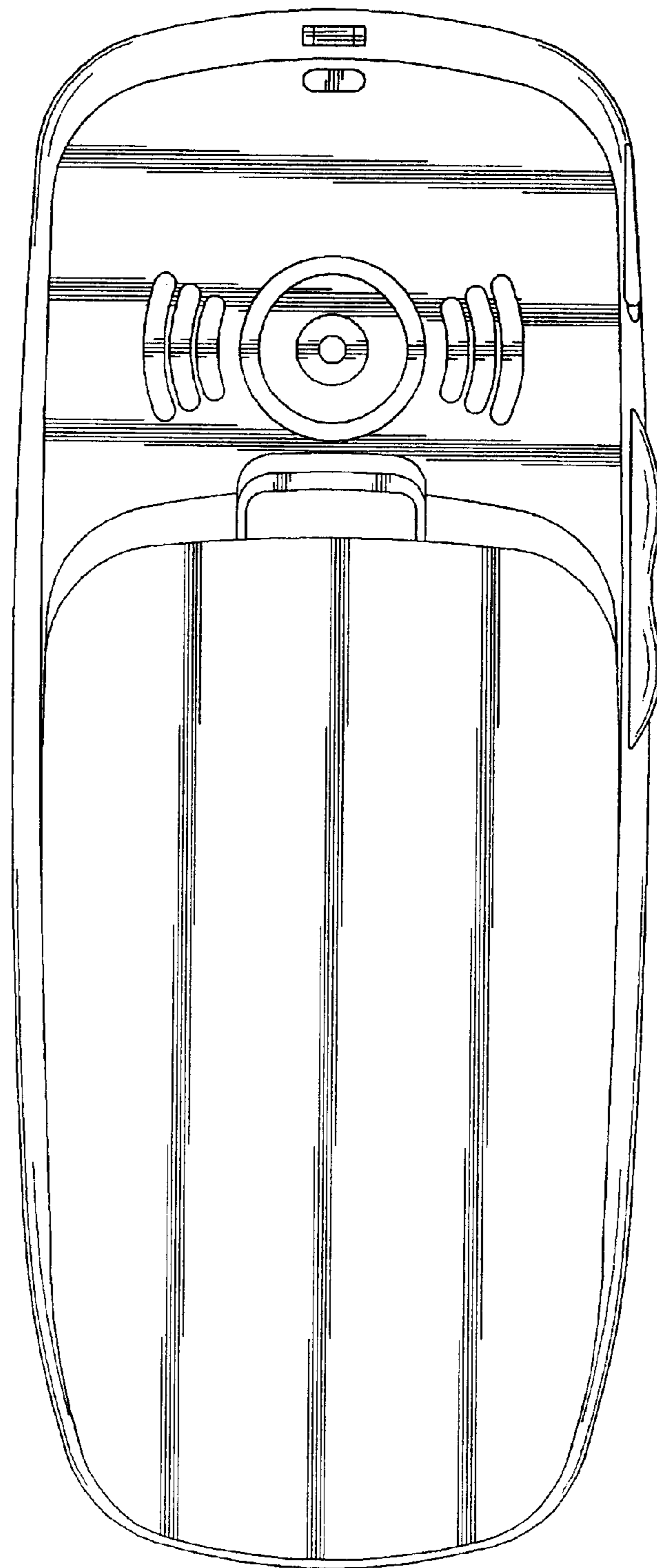


FIG. 3

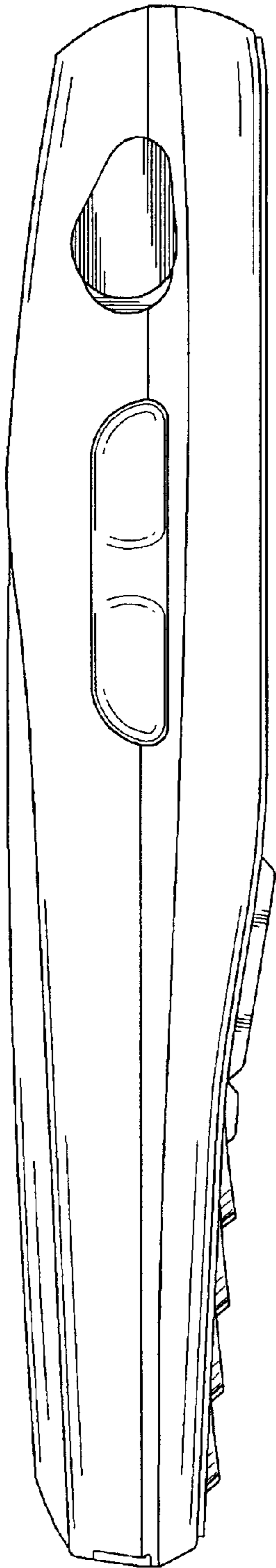


FIG. 4

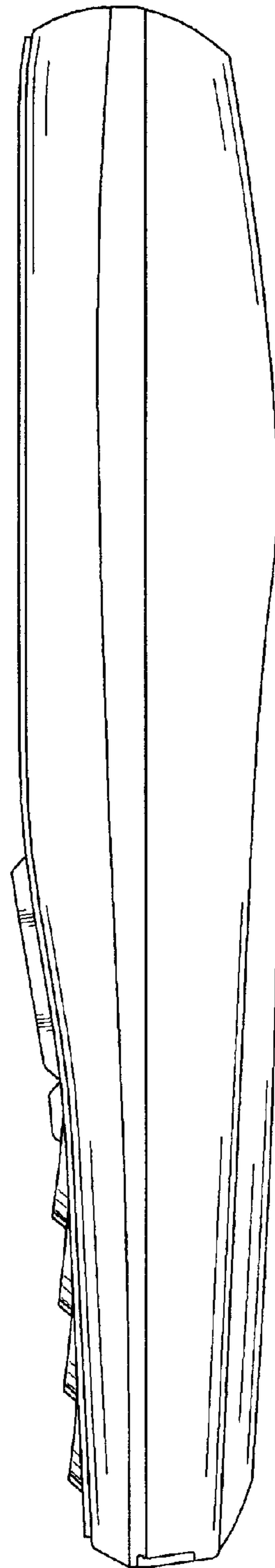


FIG. 5

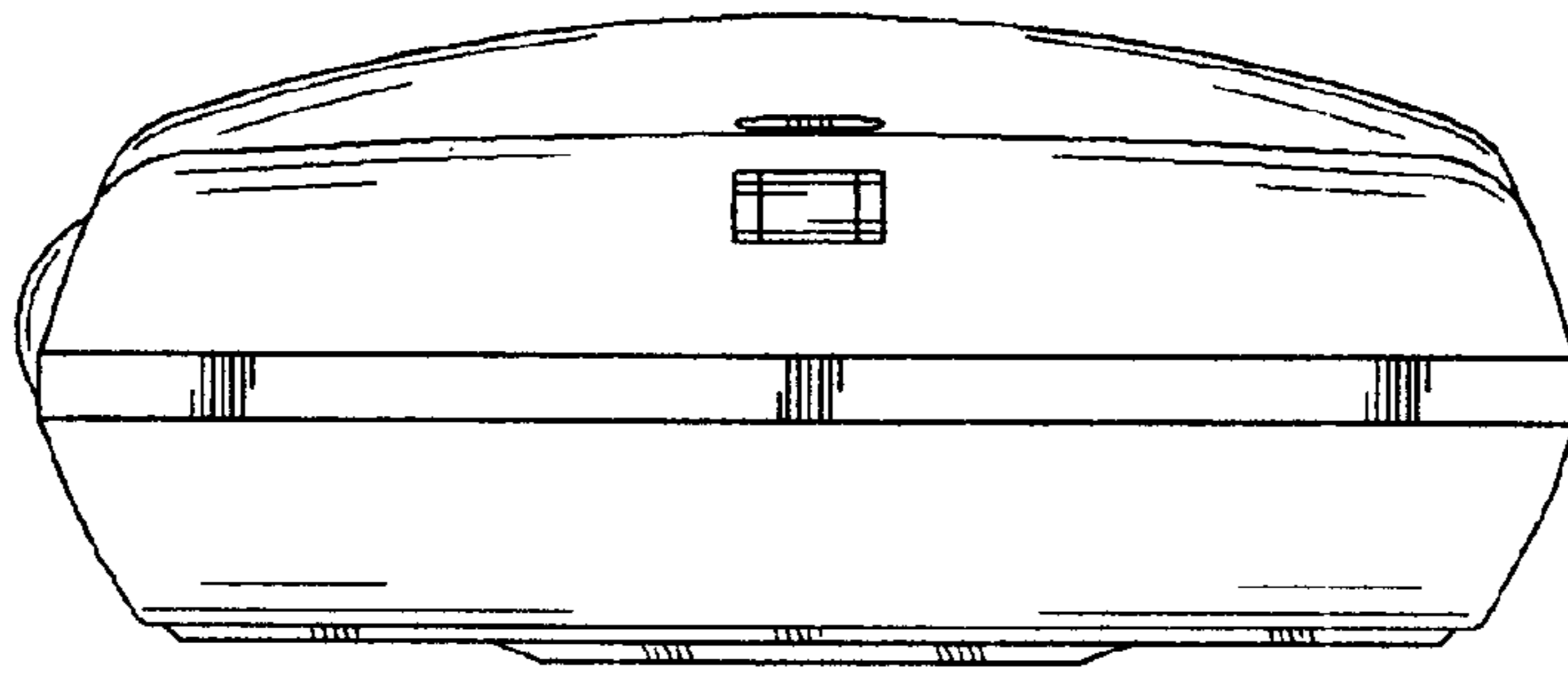


FIG. 6

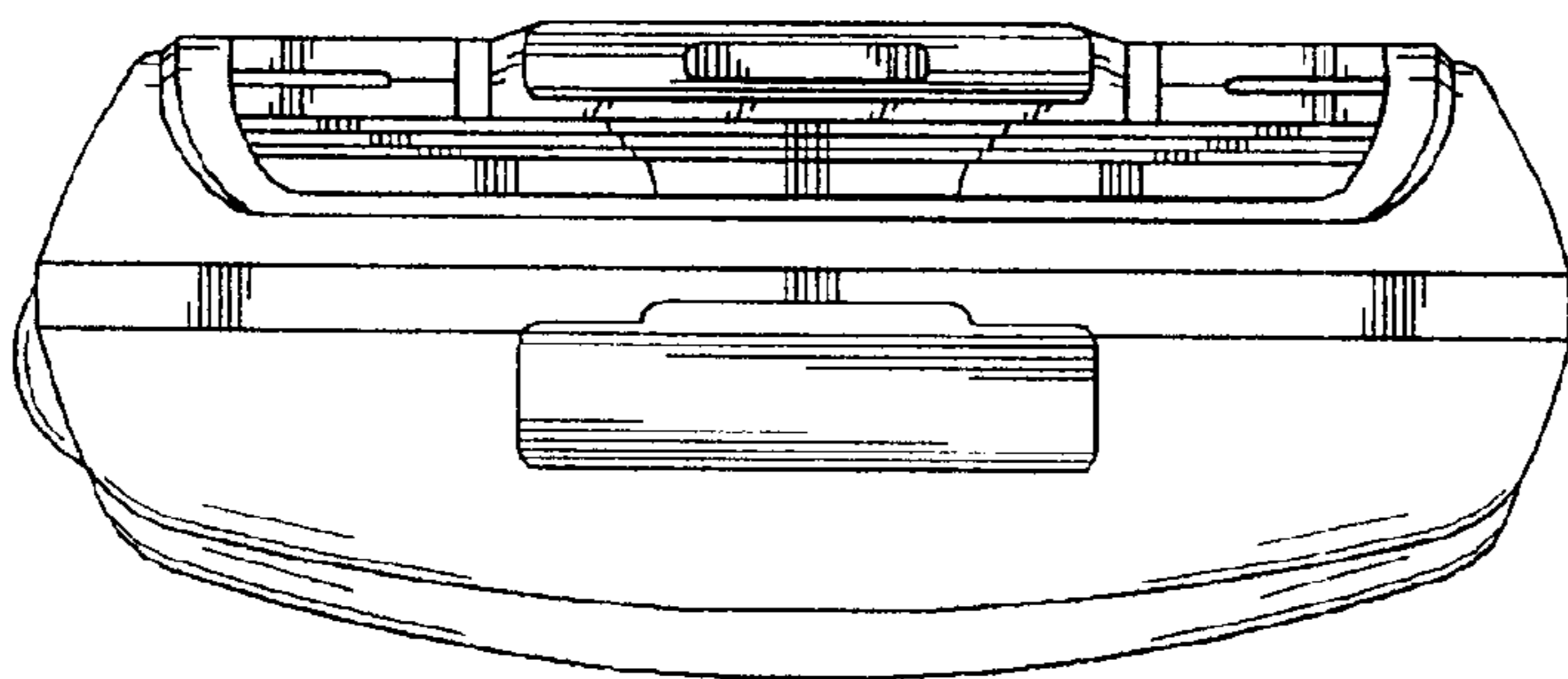


FIG. 7