



US00D538248S

(12) **United States Design Patent**
Kim et al.

(10) **Patent No.:** **US D538,248 S**
(45) **Date of Patent:** **** Mar. 13, 2007**

(54) **PORTABLE TELEPHONE**

(75) Inventors: **Joon-Suh Kim**, Seoul (KR); **Soo-Min Sohn**, Seoul (KR); **Chang-Soo Lee**, Seoul (KR)

(73) Assignee: **Samsung Electronics Co., Ltd.**, Suwon (KR)

(**) Term: **14 Years**

(21) Appl. No.: **29/227,339**

(22) Filed: **Apr. 8, 2005**

(51) **LOC (8) Cl.** **14-03**

(52) **U.S. Cl.** **D14/138**

(58) **Field of Classification Search** D14/191,
D14/138, 147-148, 247-248, 144, 496, 156,
D14/341-347; 379/433.01-433.13; 455/575.3,
455/566, 575.1, 556.1, 556.2, 90.3; D21/517;
D16/208

See application file for complete search history.

(56) **References Cited**

U.S. PATENT DOCUMENTS

- 3,123,676 A * 3/1964 Prescott et al. 379/368
- 5,027,394 A 6/1991 Ono et al.
- 5,428,350 A 6/1995 Kurchart et al.
- 5,436,954 A 7/1995 Nishiyama et al.
- D407,716 S 4/1999 Park
- D407,717 S 4/1999 Kim
- D407,718 S 4/1999 Lee
- D410,920 S 6/1999 Lee et al.
- D411,537 S 6/1999 Lee
- D414,765 S 10/1999 Park
- D415,151 S 10/1999 Kim
- D415,488 S 10/1999 Lee
- D420,677 S * 2/2000 Kolinen D14/247
- 6,069,648 A 5/2000 Suso et al.
- D431,827 S 10/2000 Yim
- D441,745 S * 5/2001 Yabusaki D14/247

- D455,414 S * 4/2002 Lee et al. D14/138
- D455,736 S * 4/2002 Vuolteenaho et al. D14/247
- D456,792 S * 5/2002 Lee et al. D14/138
- 6,389,267 B1 5/2002 Imai
- 6,396,924 B1 5/2002 Suso et al.
- D458,594 S 6/2002 Jang
- D469,070 S * 1/2003 Lee D14/138

(Continued)

FOREIGN PATENT DOCUMENTS

- JP D1154363 9/2002
- JP 2002-314654 * 10/2002

OTHER PUBLICATIONS

- U.S. Appl. No. 29/204,878, Applicant: Bum-Soo Park, et al., filed May 5, 2004 entitled Portable Telephone.
- U.S. Appl. No. 29/204,882, Applicant: Jin-Soo Kim, et al., filed May 5, 2004 entitled Portable Telephone.

(Continued)

Primary Examiner—Jeffrey Asch

(74) *Attorney, Agent, or Firm*—Flynn, Thiel, Boutell & Tanis, P.C.

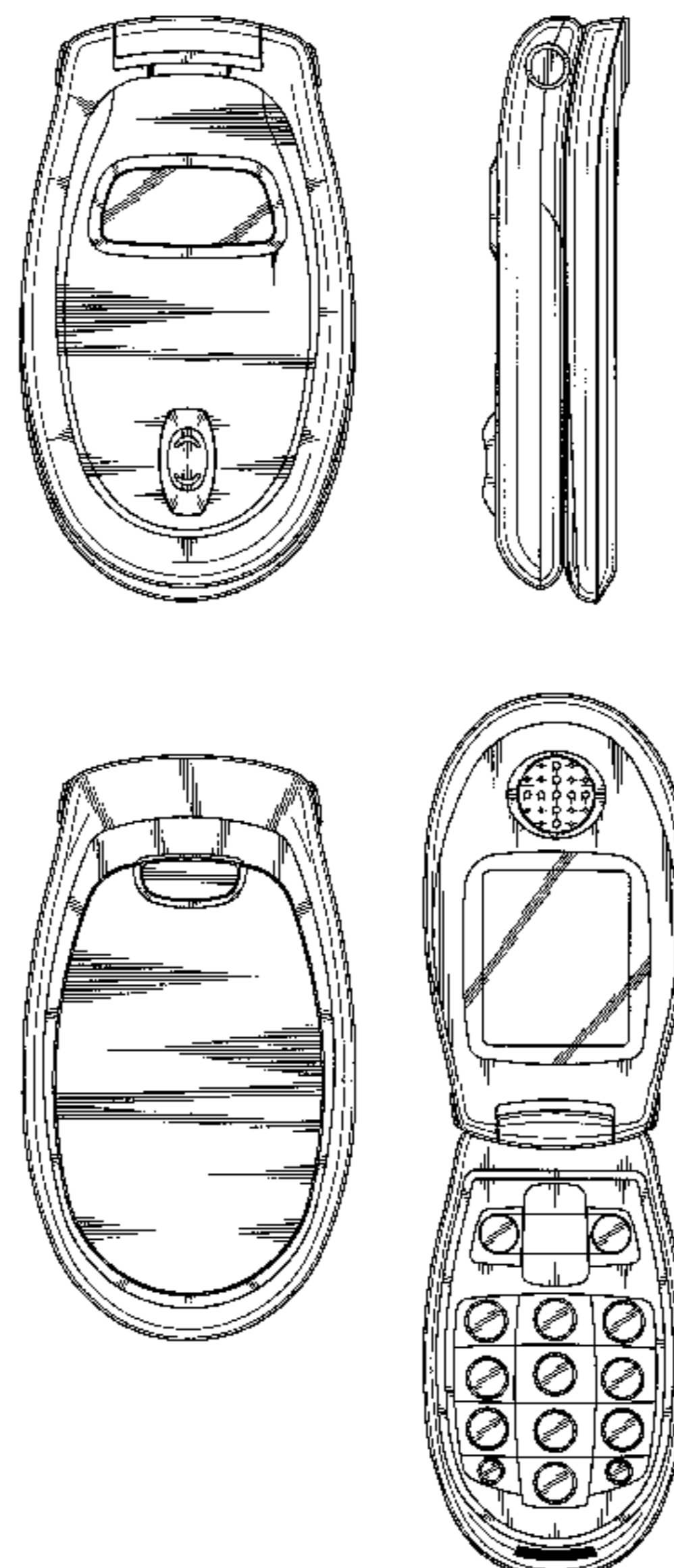
(57) **CLAIM**

The ornamental design for a portable telephone, as shown and described.

DESCRIPTION

- FIG. 1. is a top front perspective view of a portable telephone showing our new design.
- FIG. 2. is a front elevational view thereof.
- FIG. 3. is a rear elevational view thereof.
- FIG. 4. is a left side elevational view thereof.
- FIG. 5. is a right side elevational view thereof.
- FIG. 6. is a top plan view thereof.
- FIG. 7. is a bottom plan view thereof; and,
- FIG. 8. is a front elevational view of using state thereof.

1 Claim, 7 Drawing Sheets



U.S. PATENT DOCUMENTS

D477,293 S 7/2003 Hwang
D481,696 S * 11/2003 Wei et al. D14/138
D484,862 S 1/2004 Yang
D484,863 S 1/2004 Chan
D485,249 S 1/2004 Liao et al.
D485,817 S * 1/2004 Liao et al. D14/138
D485,818 S 1/2004 Yabe et al.
D486,811 S * 2/2004 Lheem D14/138
D487,443 S 3/2004 Yoon
D487,444 S 3/2004 Yoon
D488,453 S 4/2004 Chang et al.
D489,697 S * 5/2004 Lee et al. D14/138
D489,698 S 5/2004 Kim et al.
D489,699 S 5/2004 Hwang et al.
D490,389 S 5/2004 Yang
D491,906 S 6/2004 Okamatsu
D491,907 S 6/2004 Ogawa
D492,675 S * 7/2004 Wei et al. D14/248
D493,439 S 7/2004 Hong et al.
D493,440 S 7/2004 Chou et al.
D495,672 S 9/2004 Jeon et al.
D495,674 S 9/2004 Yoo et al.
D495,675 S * 9/2004 Nuovo et al. D14/144
D496,020 S 9/2004 Lee
D496,021 S 9/2004 Jang
D497,604 S * 10/2004 Lee D14/138
D499,390 S * 12/2004 Cho D14/138
D500,993 S * 1/2005 Hwang D14/138
D501,458 S 2/2005 Kim et al.
D501,658 S 2/2005 Park et al.
D501,837 S 2/2005 Kim et al.
D501,838 S 2/2005 Kim et al.
D502,161 S 2/2005 Kim et al.
D503,164 S 3/2005 Park et al.
D504,406 S 4/2005 Cho et al.
D506,454 S 6/2005 Kim et al.
D506,738 S 6/2005 Kim et al.
D506,739 S * 6/2005 Shin et al. D14/138
D507,252 S 7/2005 Kim et al.
D507,788 S * 7/2005 Li et al. D14/138
D508,035 S * 8/2005 Kim et al. D14/138
D510,078 S * 9/2005 Lee et al. D14/138
D510,333 S * 10/2005 Lodato et al. D14/138
D511,760 S * 11/2005 Shin et al. D14/138
D516,532 S * 3/2006 Hunt et al. D14/138
D519,098 S * 4/2006 Han et al. D14/138
D520,485 S * 5/2006 Cho D14/138
D521,972 S * 5/2006 Yun et al. D14/138
D522,483 S * 6/2006 Shin D14/138
D523,833 S * 6/2006 Koh et al. D14/138
2001/0036845 A1 * 11/2001 Park 455/566
2002/0187818 A1 12/2002 Kang
2003/0109232 A1 6/2003 Park et al.
2004/0009790 A1 1/2004 Im
2004/0023684 A1 2/2004 Sato et al.
2004/0097258 A1 5/2004 Lee et al.
2004/0097262 A1 5/2004 Lee
2004/0132513 A1 7/2004 Taneda et al.
2004/0142718 A1 7/2004 Kim
2004/0142734 A1 7/2004 Kim
2005/0130718 A1 * 6/2005 Woo 455/575.3
2005/0159189 A1 * 7/2005 Iyer 455/566

OTHER PUBLICATIONS

U.S. Appl. No. 29/204,874, Applicant: Jin-Soo Kim, et al., filed May 5, 2004 entitled Portable Telephone.

U.S. Appl. No. 29/204,875, Applicant: Jin-Soo Kim, et al., filed May 5, 2004 entitled Portable Telephone.
U.S. Appl. No. 29/204,883, Applicant: Jin-Soo Kim, et al., filed May 5, 2004 entitled Portable Telephone.
U.S. Appl. No. 29/205,555, Applicant: Chi-Young Ahn, et al., filed May 17, 2004 entitled Portable Telephone.
U.S. Appl. No. 29/205,559, Applicant: Chi-Young Ahn, et al., filed May 17, 2004 entitled Portable Telephone.
U.S. Appl. No. 29/205,546, Applicant: Chi-Young Ahn, et al., filed May 17, 2004 entitled Portable Telephone.
U.S. Appl. No. 29/214,253, Applicant: Hye-Jeong Lee, et al., filed Sep. 27, 2004 entitled Portable Telephone.
U.S. Appl. No. 29/216,563, Applicant: Jin-Soo Kim, et al., filed Nov. 4, 2004 entitled Portable Telephone.
U.S. Appl. No. 29/226,417, Applicant: Jin-Soo Kim, et al., filed Mar. 29, 2005 entitled Portable Telephone.
U.S. Appl. No. 29/226,418, Applicant: Ji-Hyun Moon, et al., filed Mar. 29, 2005 entitled Portable Telephone.
U.S. Appl. No. 29/226,419, Applicant: Min-Ah Koh, et al., filed Mar. 29, 2005 entitled Portable Telephone.
U.S. Appl. No. 29/226,420, Applicant: Min-Hyouk Lee, et al., filed Mar. 29, 2005 entitled Portable Telephone.
U.S. Appl. No. 29/226,442, Applicant: Min-Hyouk Lee, et al., filed Mar. 29, 2005 entitled Portable Telephone.
U.S. Appl. No. 29/226,443, Applicant: Jin-Soo Kim, et al., filed Mar. 29, 2005 entitled Portable Telephone.
U.S. Appl. No. 29/226,470, Applicant: Nam-Su Kim, et al., filed Mar. 29, 2005 entitled Portable Telephone.
U.S. Appl. No. 29/226,474, Applicant: Nam-Su Kim, et al., filed Mar. 29, 2005 entitled Portable Telephone.
U.S. Appl. No. 29/226,460, Applicant: Nam-Su Kim, et al., filed Mar. 29, 2005 entitled Portable Telephone.
U.S. Appl. No. 29/226,461, Applicant: Joon-Ki Yun, et al., filed Mar. 29, 2005 entitled Portable Telephone.
U.S. Appl. No. 29/226,462, Applicant: Yu-Guen Kim, et al., filed Mar. 29, 2005 entitled Portable Telephone.
U.S. Appl. No. 29/226,463, Applicant: Jin-Soo Kim, et al., filed Mar. 29, 2005 entitled Portable Telephone.
U.S. Appl. No. 29/226,465, Applicant: Ki-Eon Lee, et al., filed Mar. 29, 2005 entitled Portable Telephone.
U.S. Appl. No. 29/226,464, Applicant: Joon-Ki Yun, et al., filed Mar. 29, 2005 entitled Portable Telephone.
U.S. Appl. No. 29/226,454, Applicant: Woo-Seung Han, et al., filed Mar. 29, 2005 entitled Portable Telephone.
U.S. Appl. No. 29/226,455, Applicant: Woo-Seung Han, et al., filed Mar. 29, 2005 entitled Portable Telephone.
U.S. Appl. No. 29/226,982, Applicant: Yu-Guen Kim, et al., filed Apr. 5, 2005 entitled Portable Telephone.
U.S. Appl. No. 29/226,990, Applicant: Yu-Guen Kim, et al., filed Apr. 5, 2005 entitled Portable Telephone.
U.S. Appl. No. 29/227,338, Applicant: Joon-Suh Kim, et al., filed Apr. 7, 2005 entitled Portable Telephone.
U.S. Appl. No. 29/227,258, Applicant: Min-Ah Koh, et al., filed Apr. 8, 2005 entitled Portable Telephone.
U.S. Appl. No. 29/219,068, Applicant: Dae-Yoeb Park, et al., filed Dec. 10, 2004 entitled Portable Telephone.
U.S. Appl. No. 29/224,584, Applicant: Ha-Youl Jung, et al., filed Mar. 3, 2005 entitled Portable Telephone.

* cited by examiner

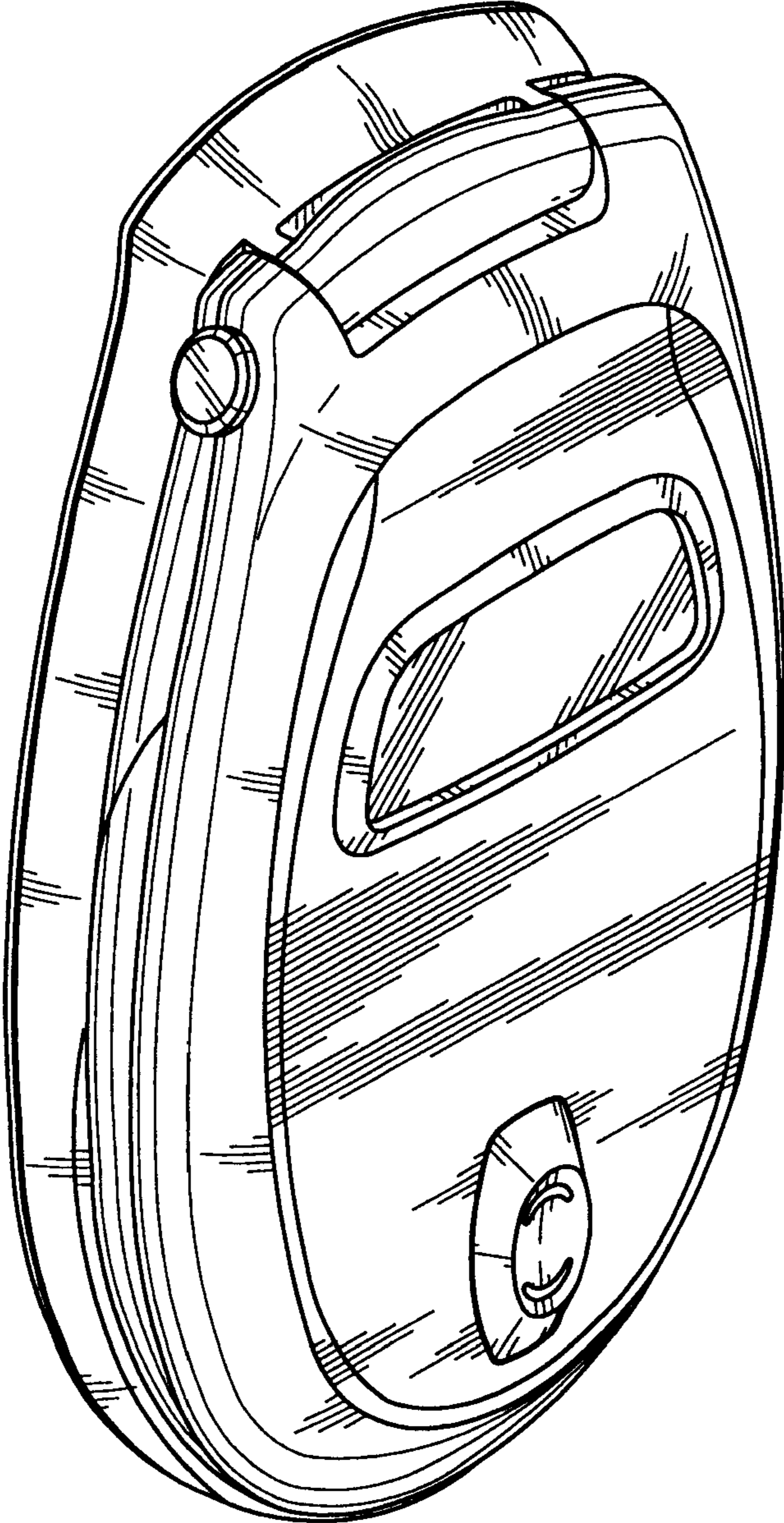


FIG. 1

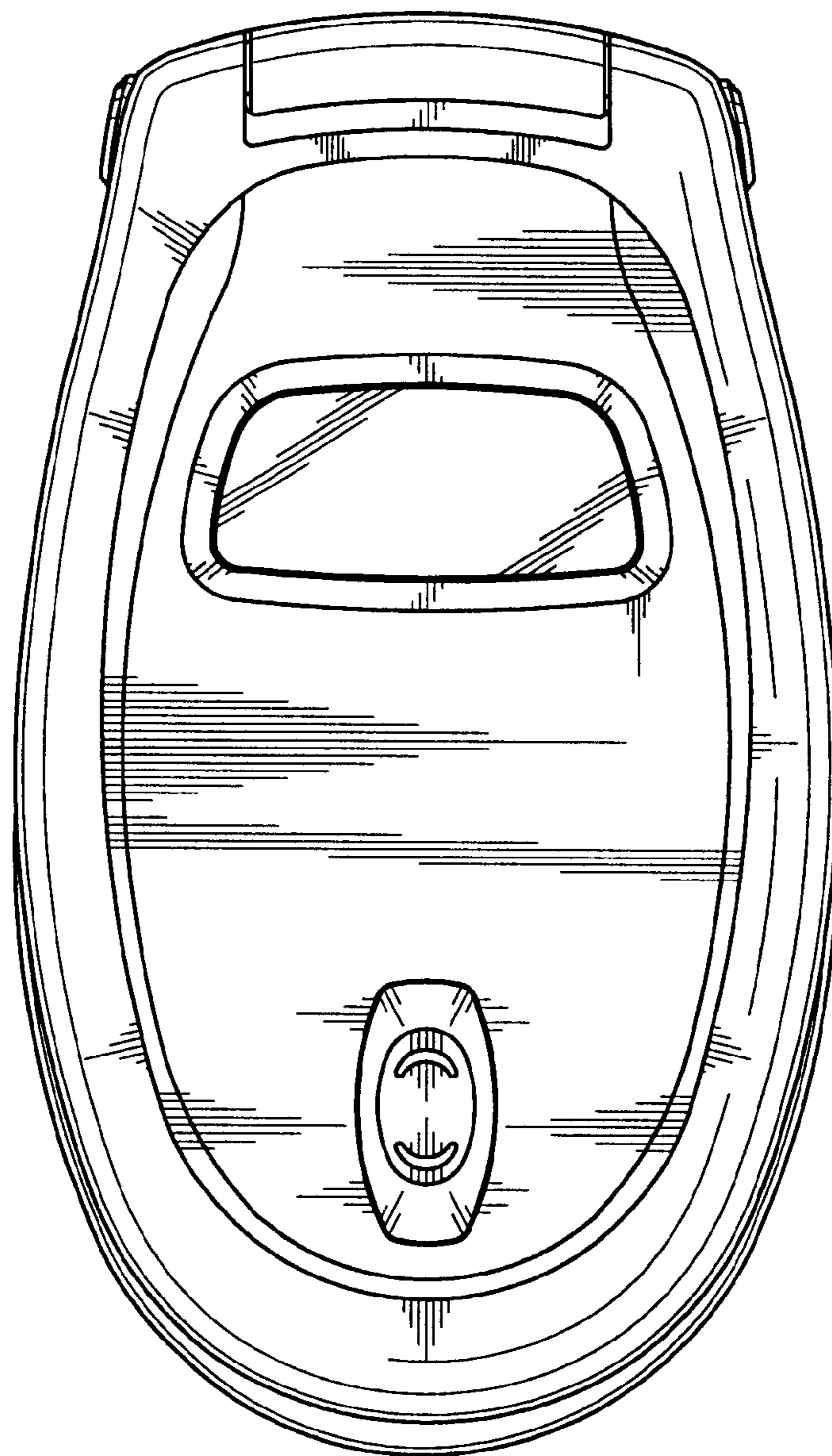


FIG. 2

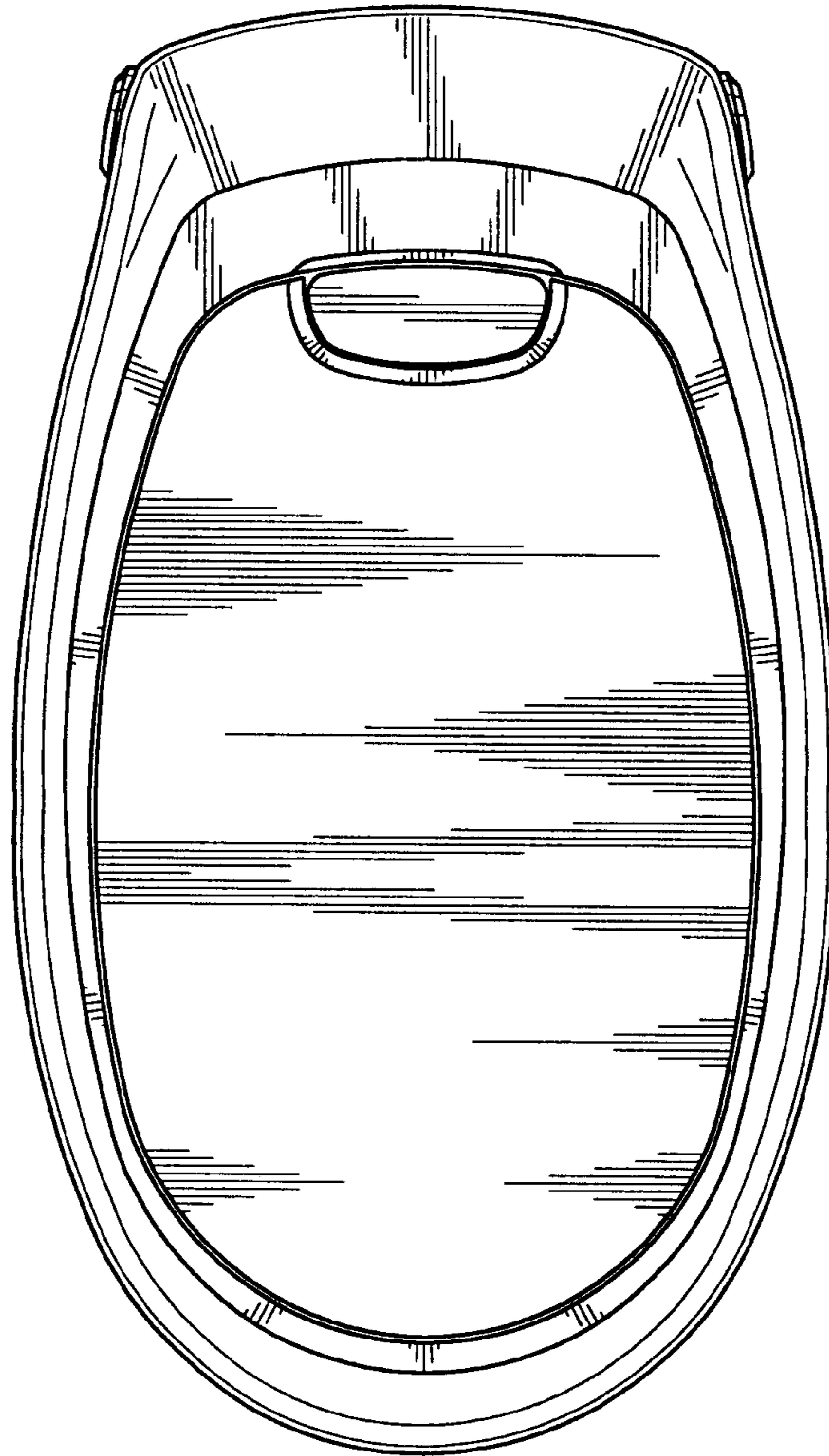


FIG. 3

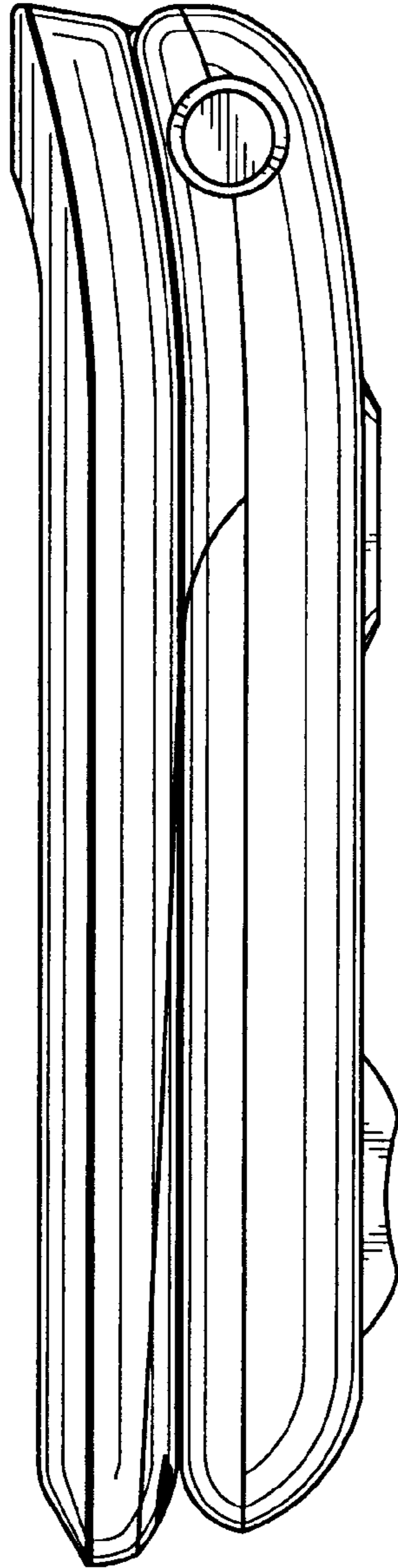


FIG. 4

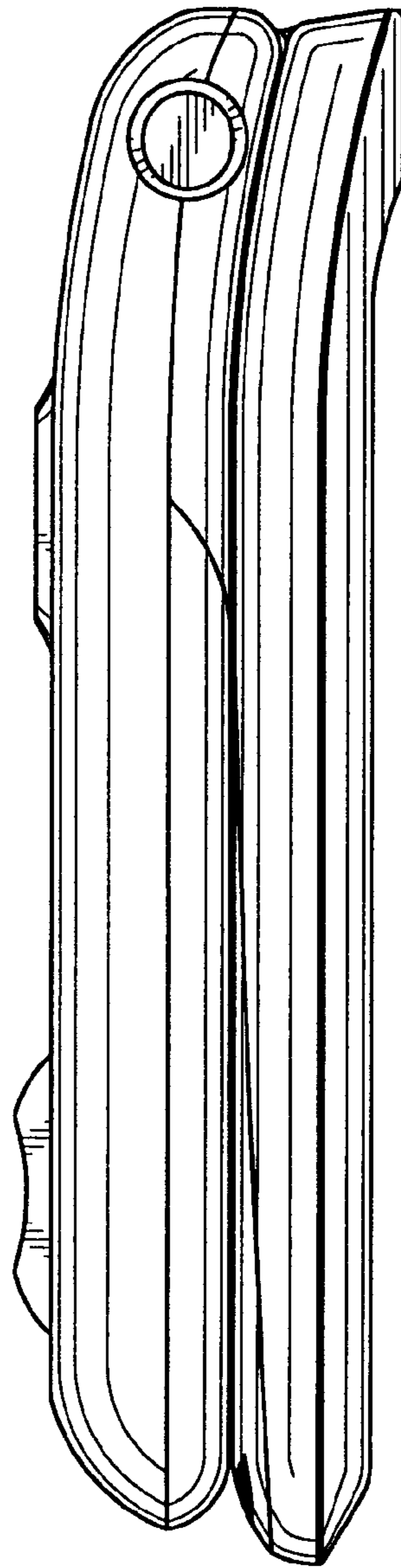


FIG. 5

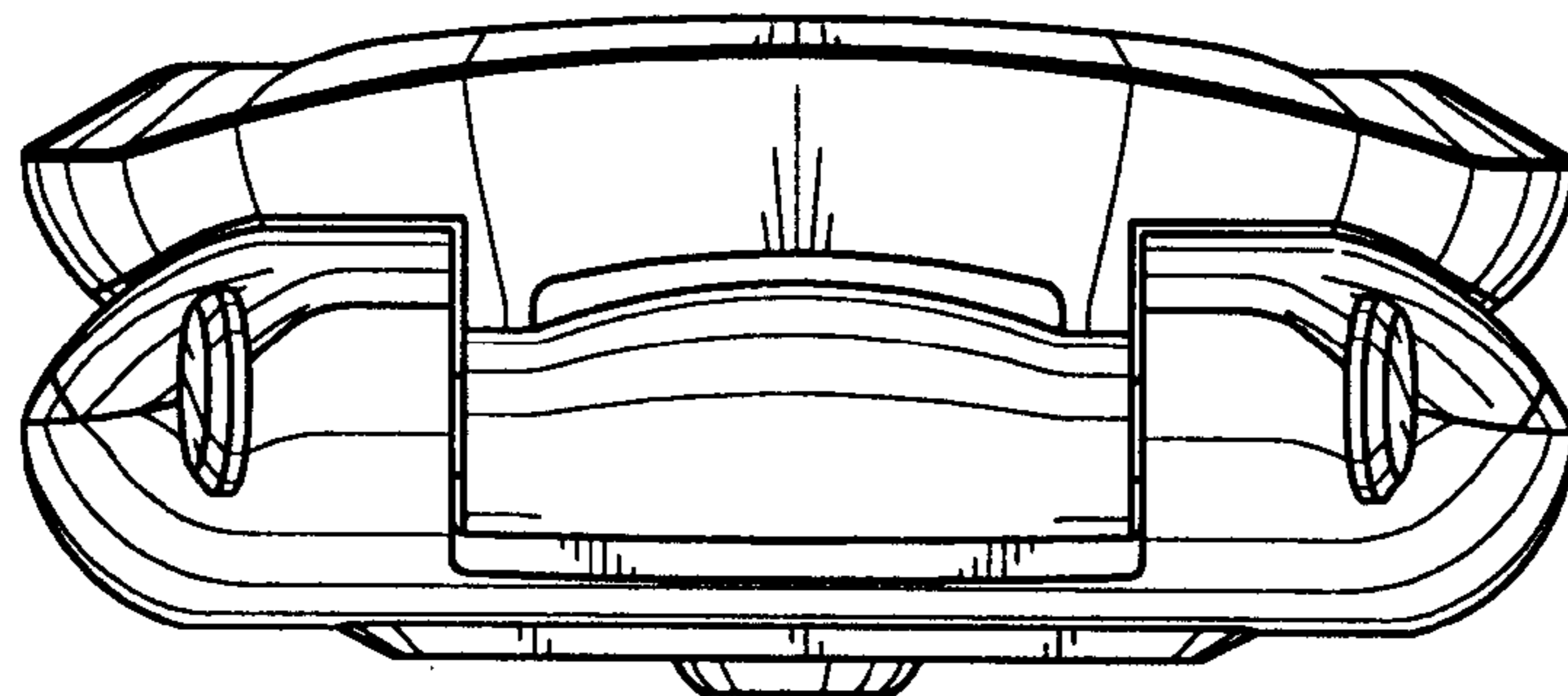


FIG. 6

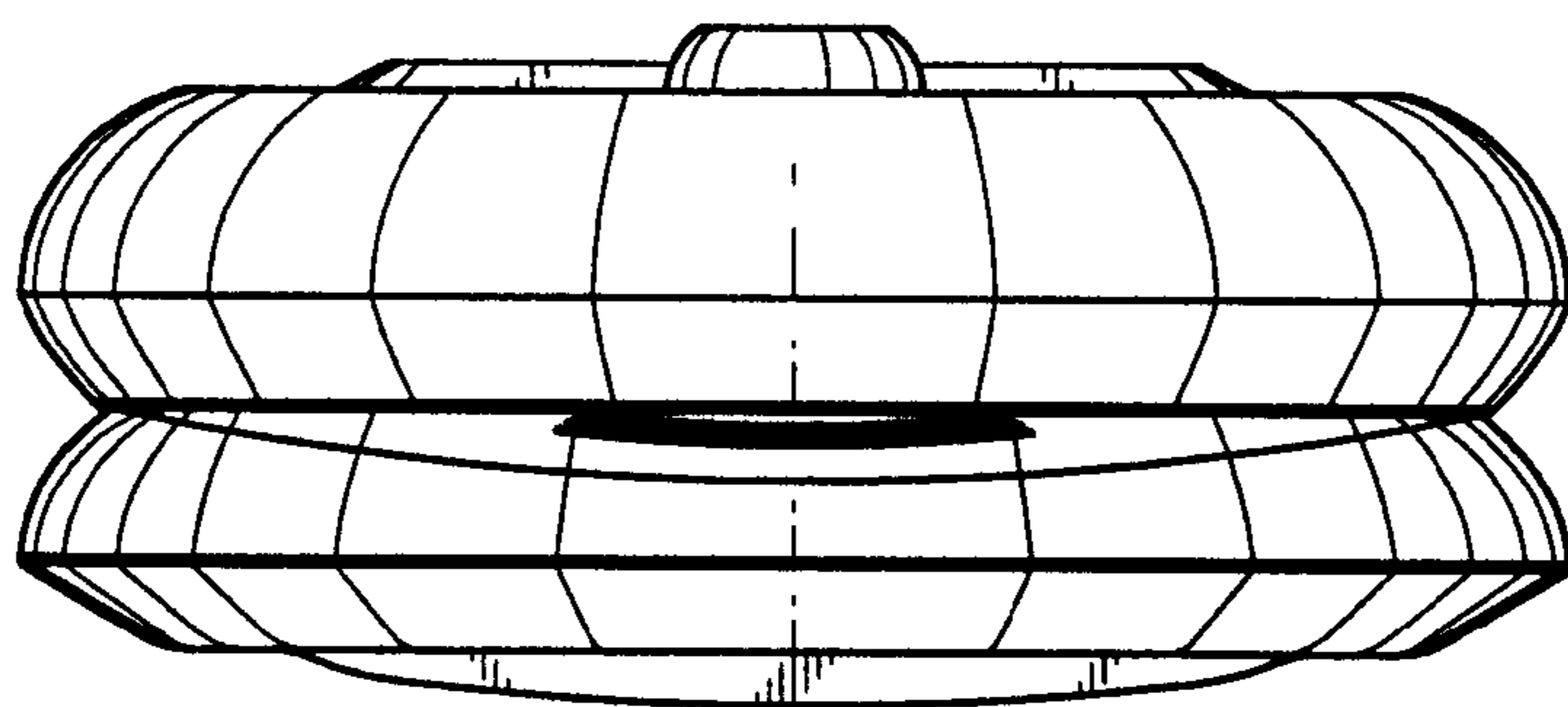


FIG. 7

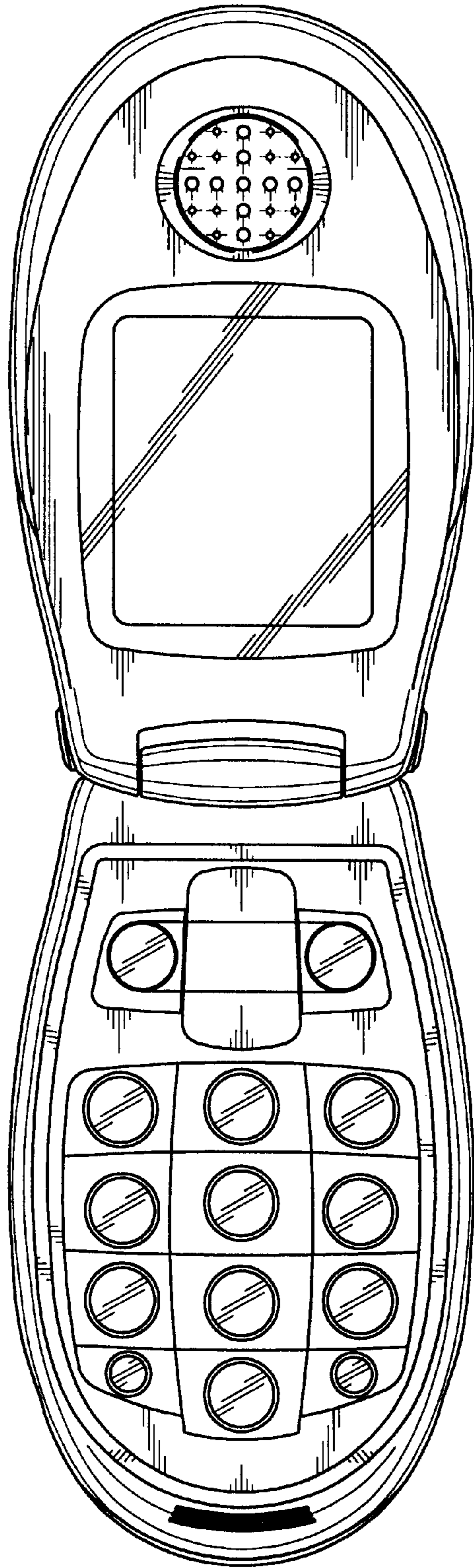


FIG. 8