



US00D538247S

(12) **United States Design Patent**
James

(10) **Patent No.:** **US D538,247 S**

(45) **Date of Patent:** **** Mar. 13, 2007**

(54) **PORTABLE TELEPHONE WITH A COLLAPSIBLE SCREEN AND CAMERA**

(76) Inventor: **Craig Andrew James**, 8903 Rosa Park Blvd., Deroit, MI (US) 48206

(**) Term: **14 Years**

(21) Appl. No.: **29/215,074**

(22) Filed: **Oct. 14, 2004**

(51) **LOC (8) Cl.** **14-03**

(52) **U.S. Cl.** **D14/138**

(58) **Field of Classification Search** D14/137, D14/138, 218, 144, 147-148, 247-248, 341-347; 379/433.01-433.13, 419, 434, 428.01-428.04, 379/420.01-420.04, 440, 437, 447, 451; 455/556.1, 556.2, 566, 575.1; D21/517; D16/208; 348/14.02

See application file for complete search history.

(56) **References Cited**

U.S. PATENT DOCUMENTS

D319,441 S	8/1991	Konno et al.	
D326,451 S	* 5/1992	Roegner	D14/138
D346,382 S	* 4/1994	Ando et al.	D14/138
D361,064 S	* 8/1995	Fellinger	D14/138
5,491,507 A	2/1996	Umezawa et al.	
D389,829 S	* 1/1998	Showers	D14/138
6,064,734 A	* 5/2000	Hasegawa et al.	379/433.07

D435,837 S	1/2001	Suzuki et al.	
D448,744 S	* 10/2001	Yu et al.	D14/138
D473,580 S	4/2003	Nakahara et al.	
6,564,070 B1	5/2003	Nagamine et al.	
2002/0137476 A1	* 9/2002	Shin	455/90
2003/0148795 A1	* 8/2003	Moriki	455/566

* cited by examiner

Primary Examiner—Ian Simmons

Assistant Examiner—Carla Jobe Wright

(74) *Attorney, Agent, or Firm*—Theresa M. Seal

(57) **CLAIM**

The ornamental design for a portable telephone with a collapsible screen and camera, as shown and described.

DESCRIPTION

FIG. 1 is a perspective view of a portable telephone with the screen and camera in the collapsed position, in accordance with the invention;

FIG. 2 is a perspective view thereof with the screen and camera in the extended position;

FIG. 3 is an elevational right view thereof;

FIG. 4 is an elevational left view thereof;

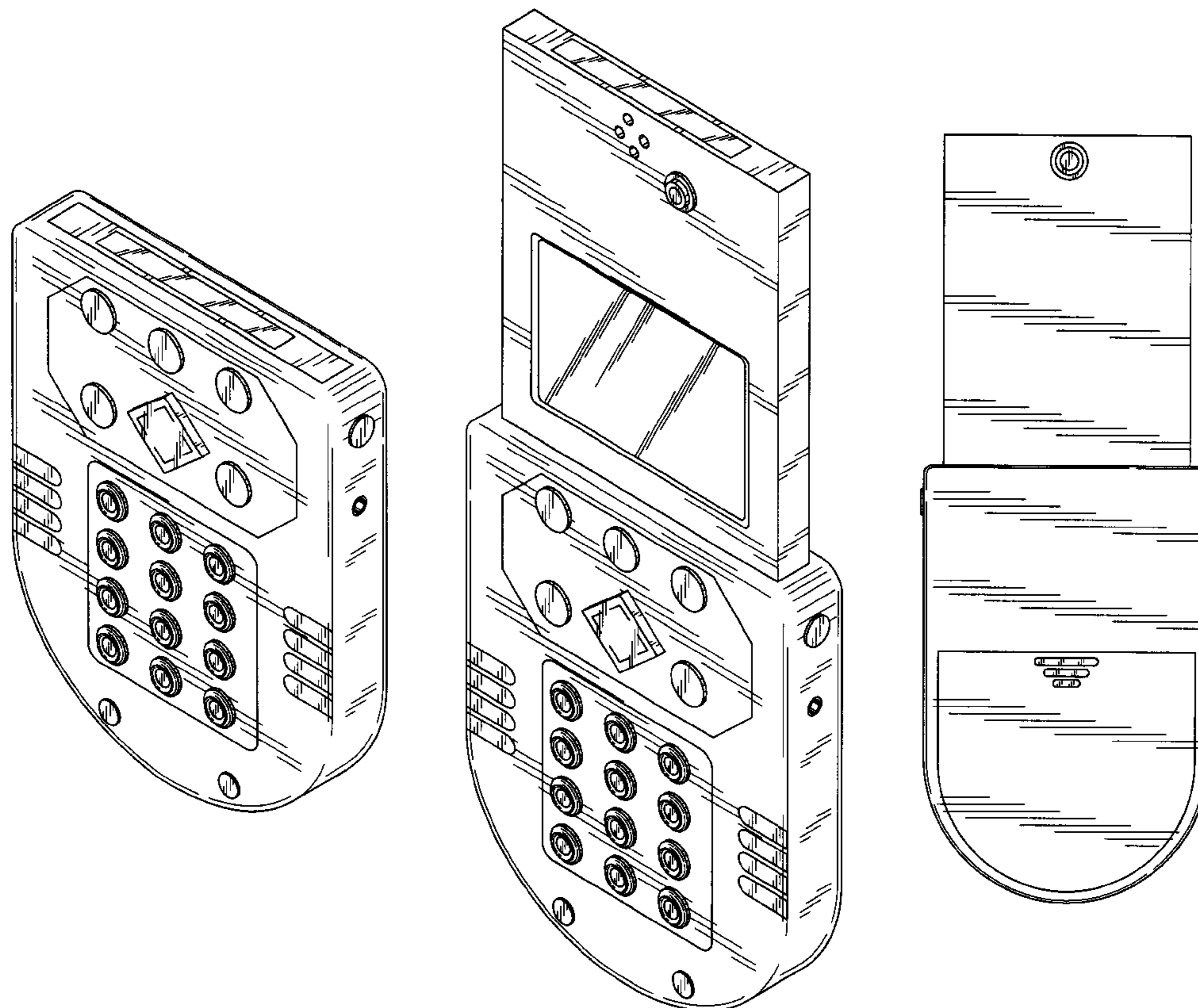
FIG. 5 is an elevational front view thereof;

FIG. 6 is an elevational rear view thereof;

FIG. 7 is a top view thereof; and,

FIG. 8 is a bottom view thereof.

1 Claim, 5 Drawing Sheets



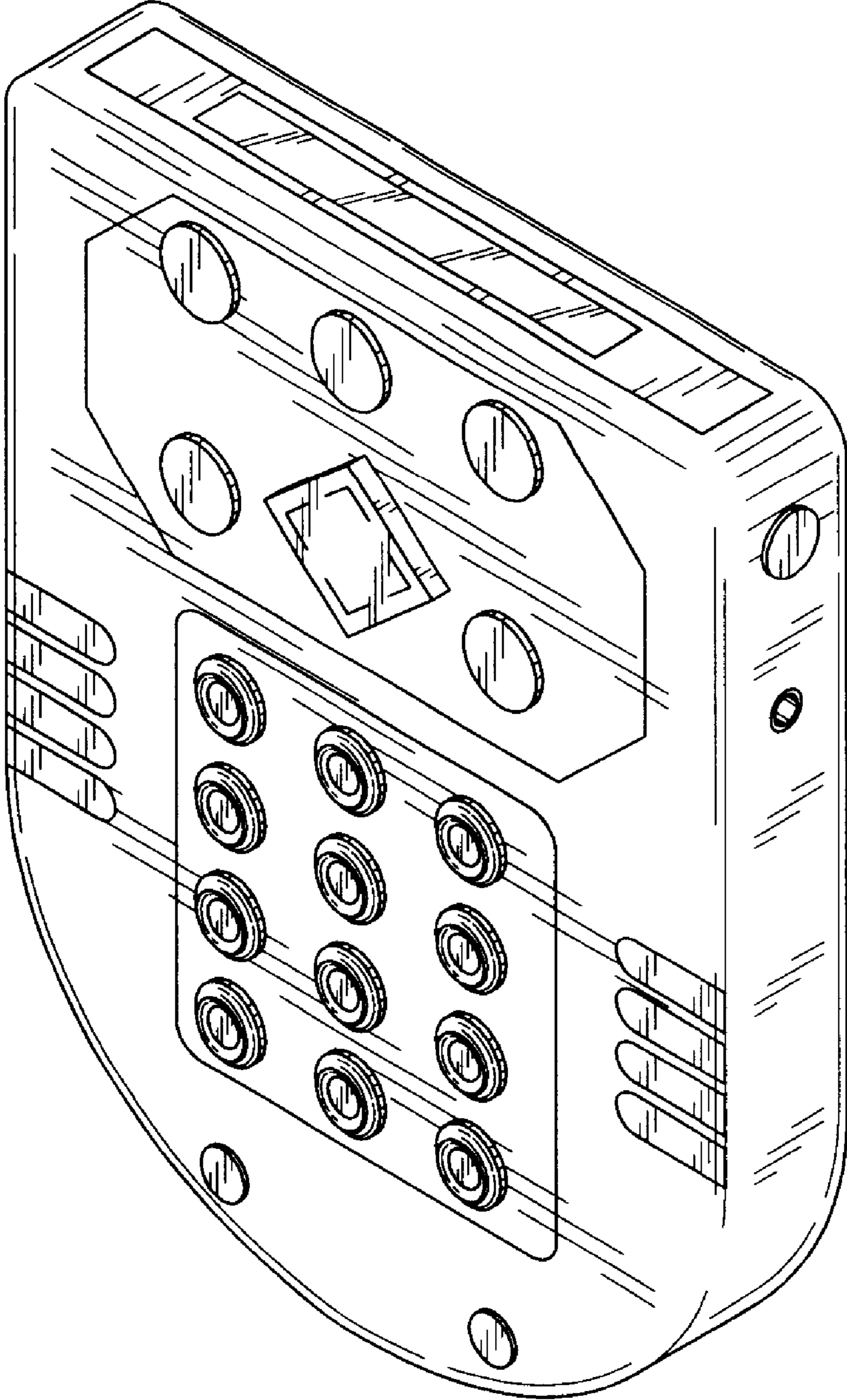


Fig. 1

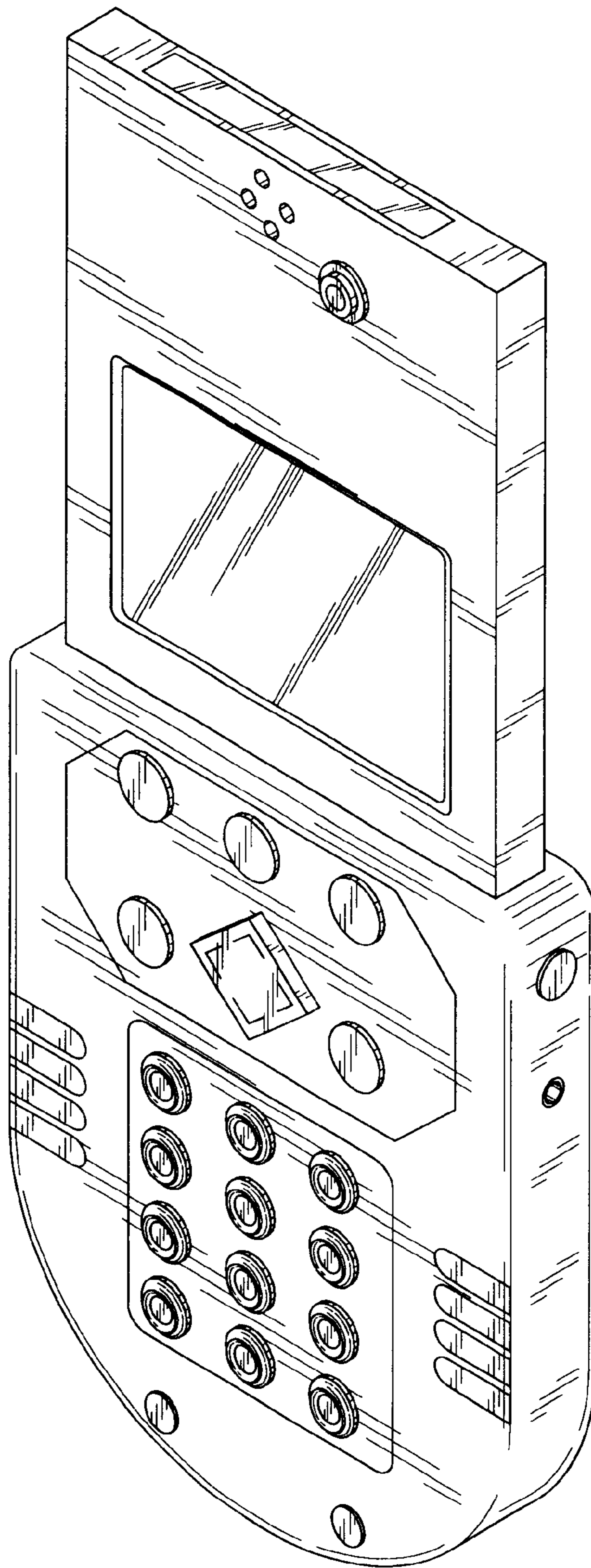


Fig. 2

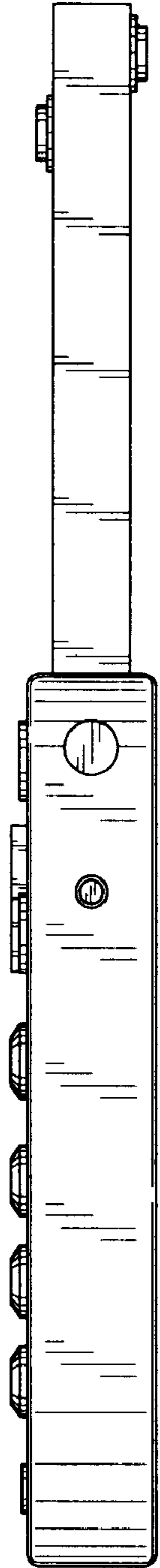


Fig. 3

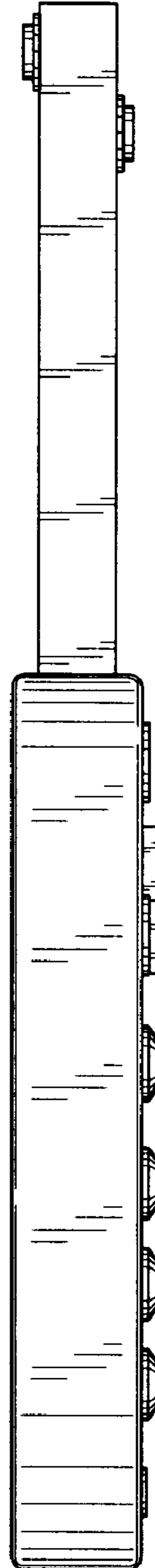


Fig. 4

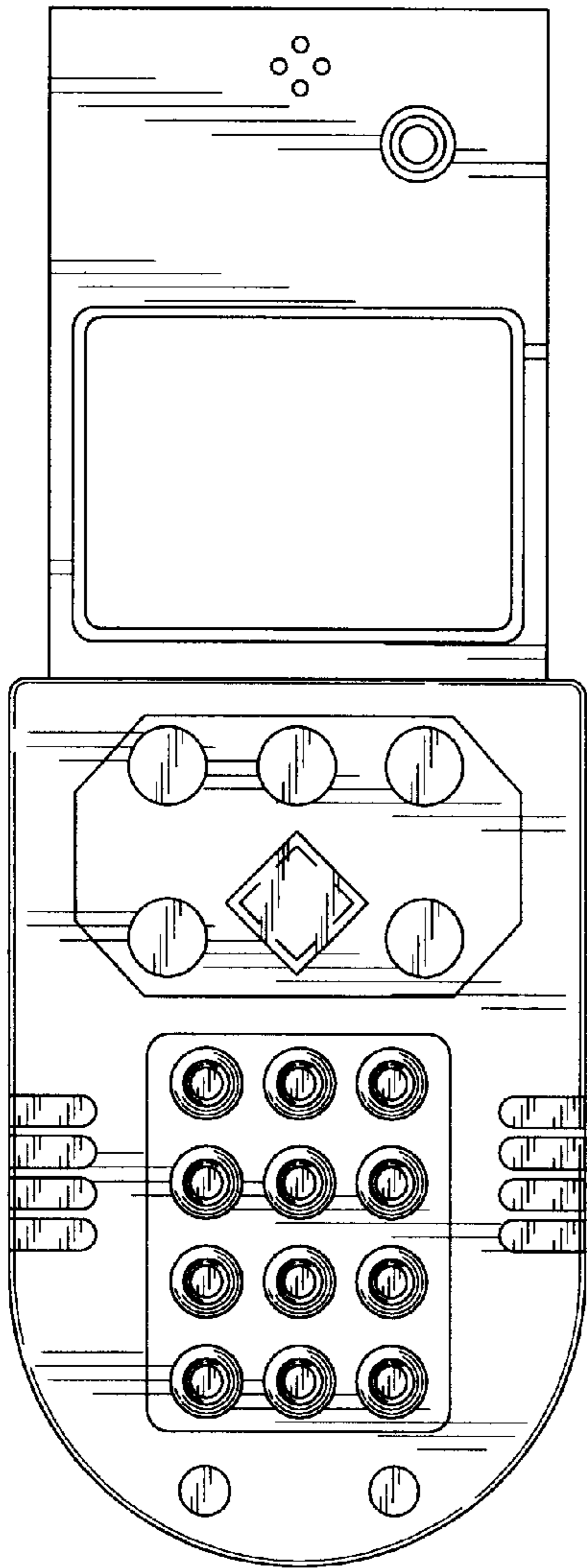


Fig. 5

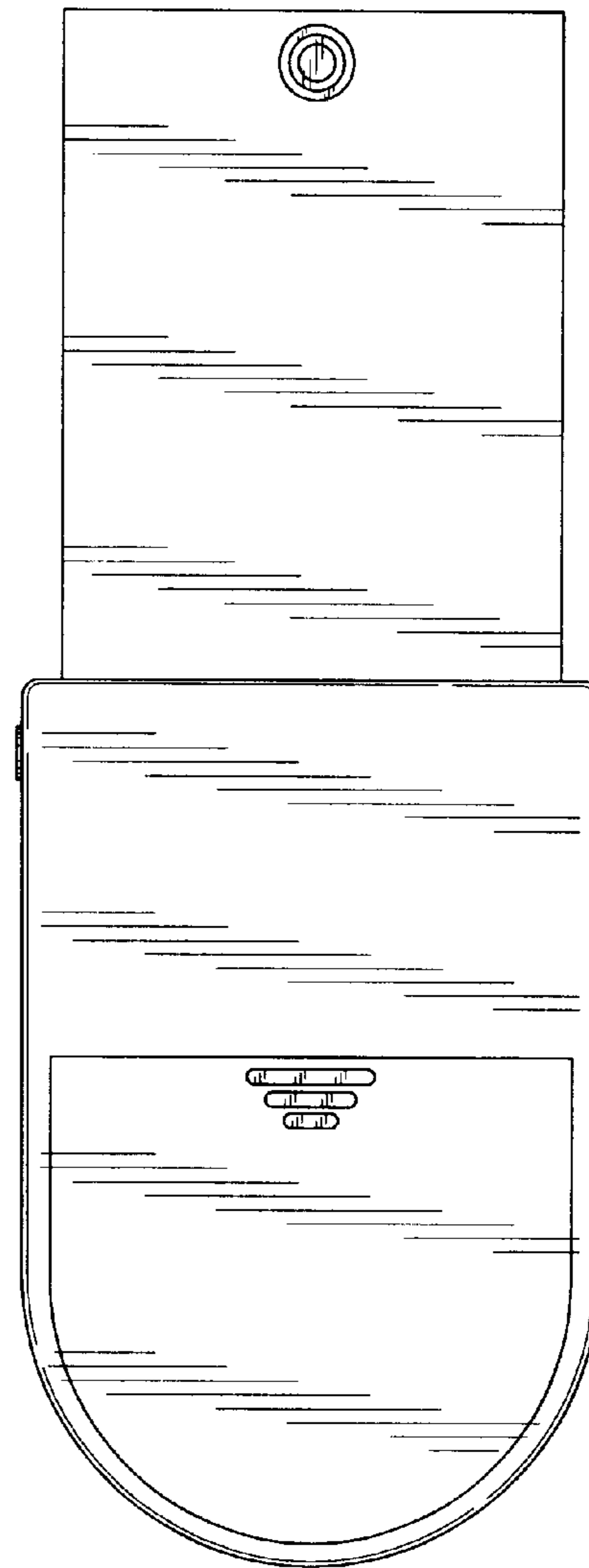


Fig. 6

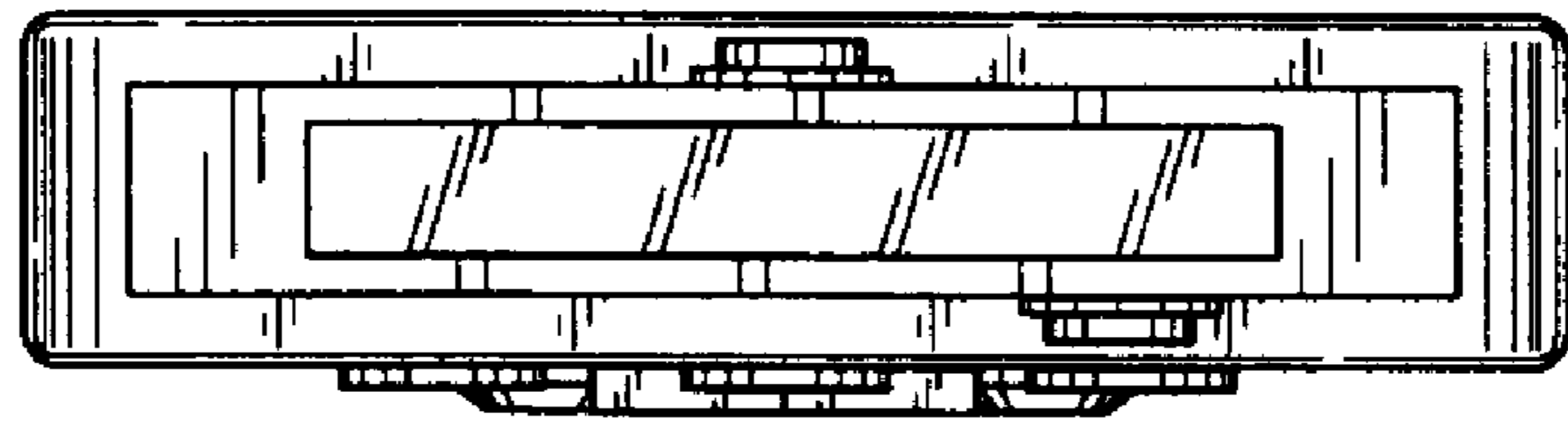


Fig. 7

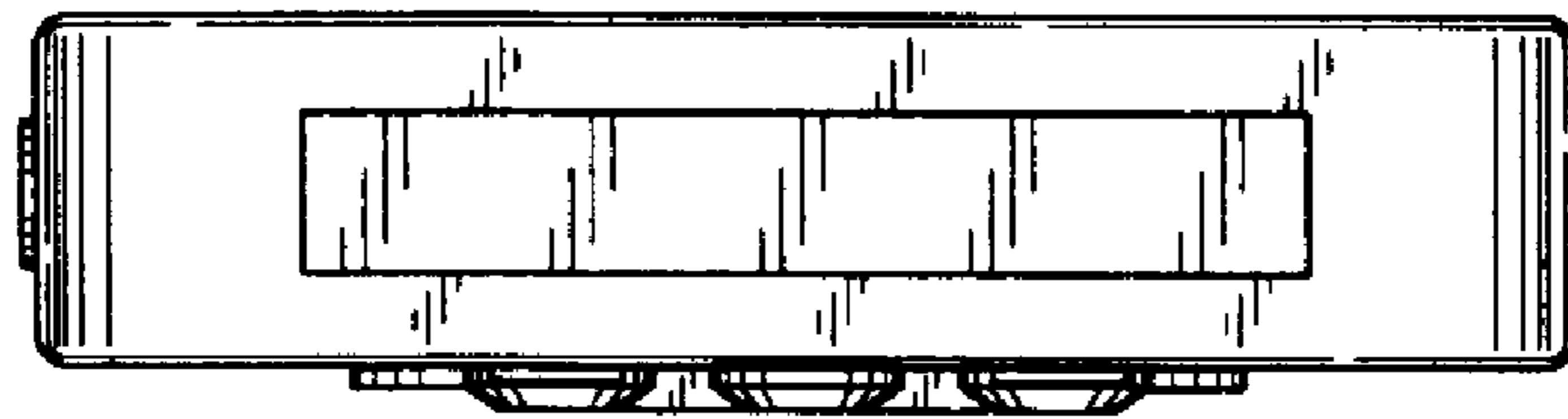


Fig. 8