



US00D538246S

(12) **United States Design Patent**
Peng

(10) **Patent No.:** **US D538,246 S**

(45) **Date of Patent:** **** Mar. 13, 2007**

(54) **TRANSMITTER FOR A DIGITAL WIRELESS
EARPHONE**

(75) Inventor: **Tseng-Tien Peng**, Sanchong (TW)

(73) Assignee: **Juster Co., Ltd.**, Taipei Hsien (TW)

(**) Term: **14 Years**

(21) Appl. No.: **29/251,288**

(22) Filed: **Jan. 6, 2006**

(51) **LOC (8) Cl.** **14-03**

(52) **U.S. Cl.** **D14/137**

(58) **Field of Classification Search** D14/137,
D14/142, 155, 349, 351, 352, 157, 168, 356,
D14/358, 188, 223, 240, 423, 433; D13/162,
D13/184; 455/39, 40, 73, 74, 78, 84, 88;
379/429

See application file for complete search history.

(56) **References Cited**

U.S. PATENT DOCUMENTS

D391,953 S * 3/1998 Copeland et al. D14/137
D442,584 S * 5/2001 Jean et al. D14/349
D445,110 S * 7/2001 MacLeod D14/433
D448,768 S * 10/2001 Suzuki D14/358

D454,872 S * 3/2002 Tanaka D14/349
D459,349 S * 6/2002 Wei et al. D14/349
D475,994 S * 6/2003 Schmidt et al. D14/223
D475,996 S * 6/2003 Skulley D14/240
D487,743 S * 3/2004 Kim D14/349
D502,704 S * 3/2005 Cervantes et al. D14/349
D514,563 S * 2/2006 Kuramashi et al. D14/358
D518,481 S * 4/2006 Chen et al. D14/349

* cited by examiner

Primary Examiner—Paula A. Greene

(74) *Attorney, Agent, or Firm*—Rabin & Berdo, P.C.

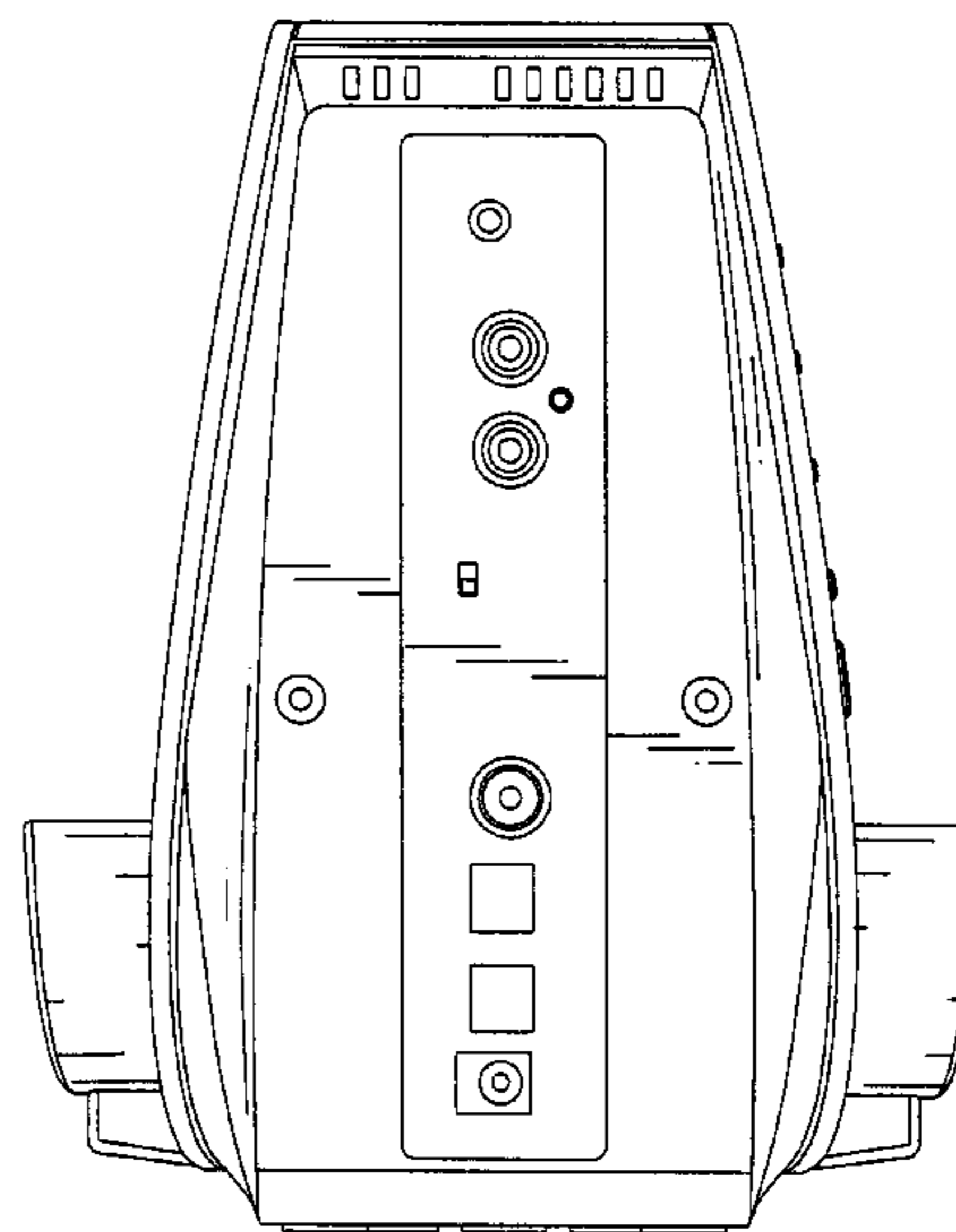
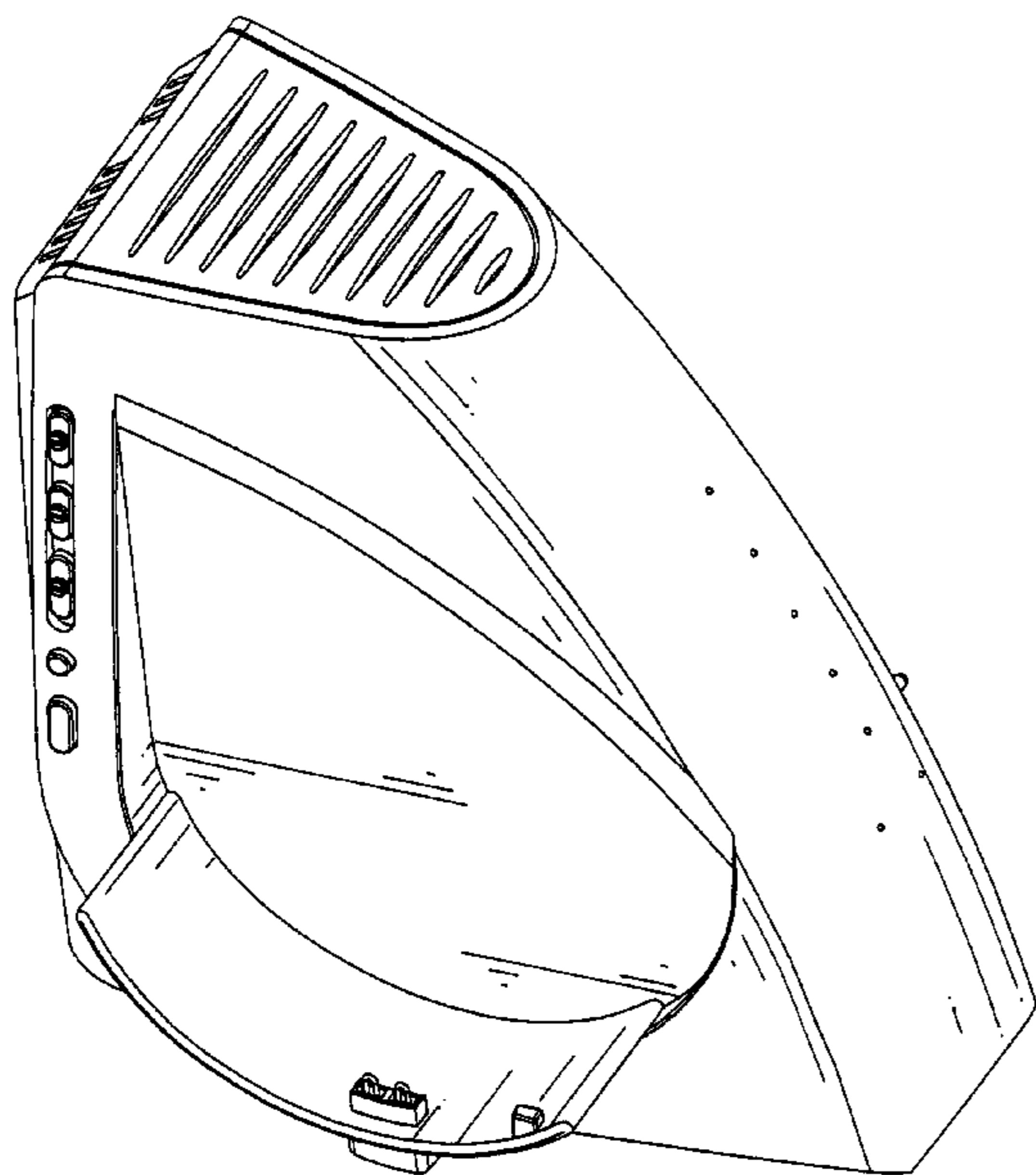
(57) **CLAIM**

The ornamental design for a transmitter for a digital wireless earphone, as shown and described.

DESCRIPTION

FIG. 1 is a perspective view of a transmitter for a digital wireless earphone showing my new design;
FIG. 2 is a front view thereof;
FIG. 3 is a rear view thereof;
FIG. 4 is a left view thereof;
FIG. 5 is a right view thereof;
FIG. 6 is a top view thereof; and,
FIG. 7 is a bottom view thereof.

1 Claim, 7 Drawing Sheets



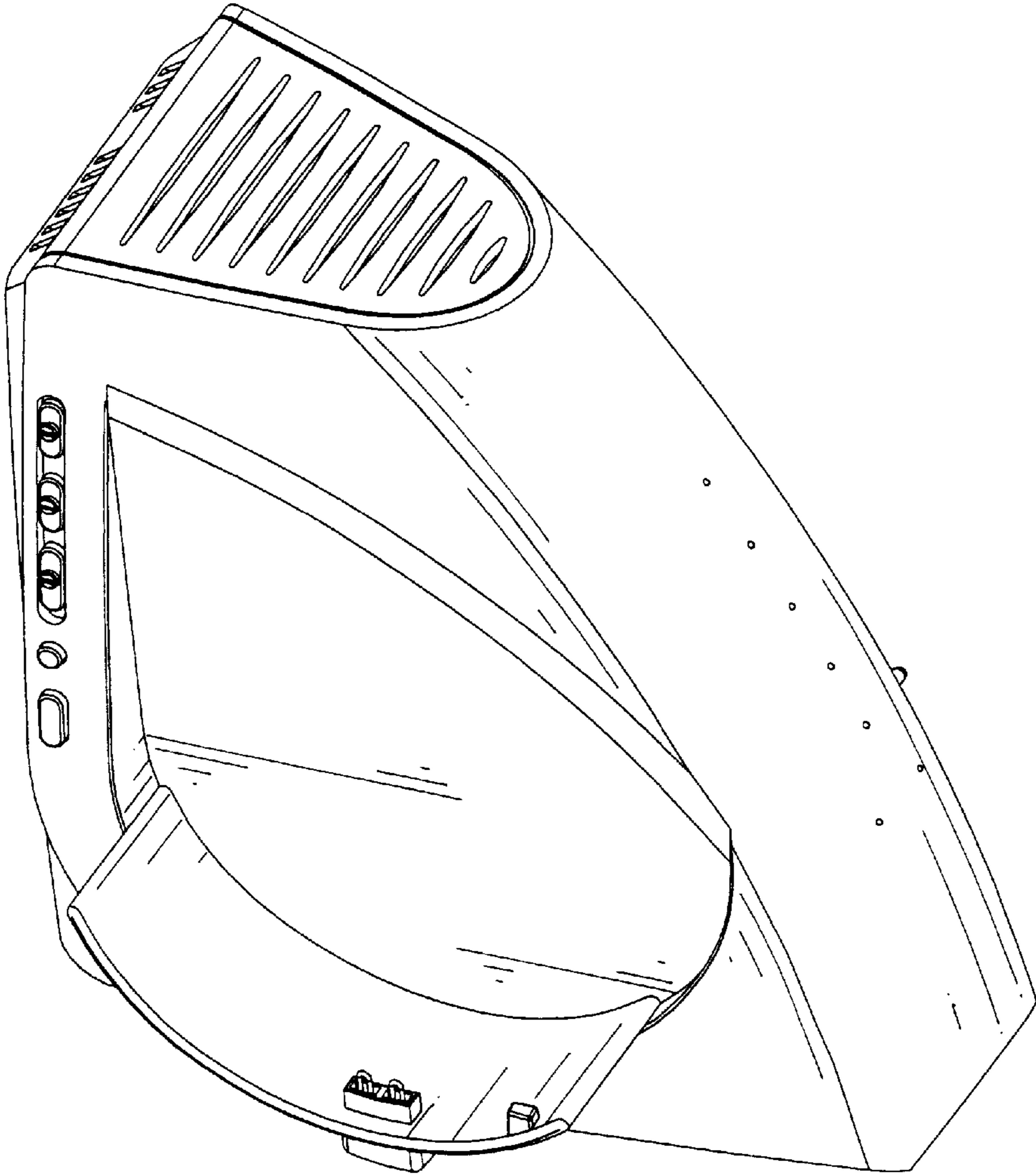


FIG. 1

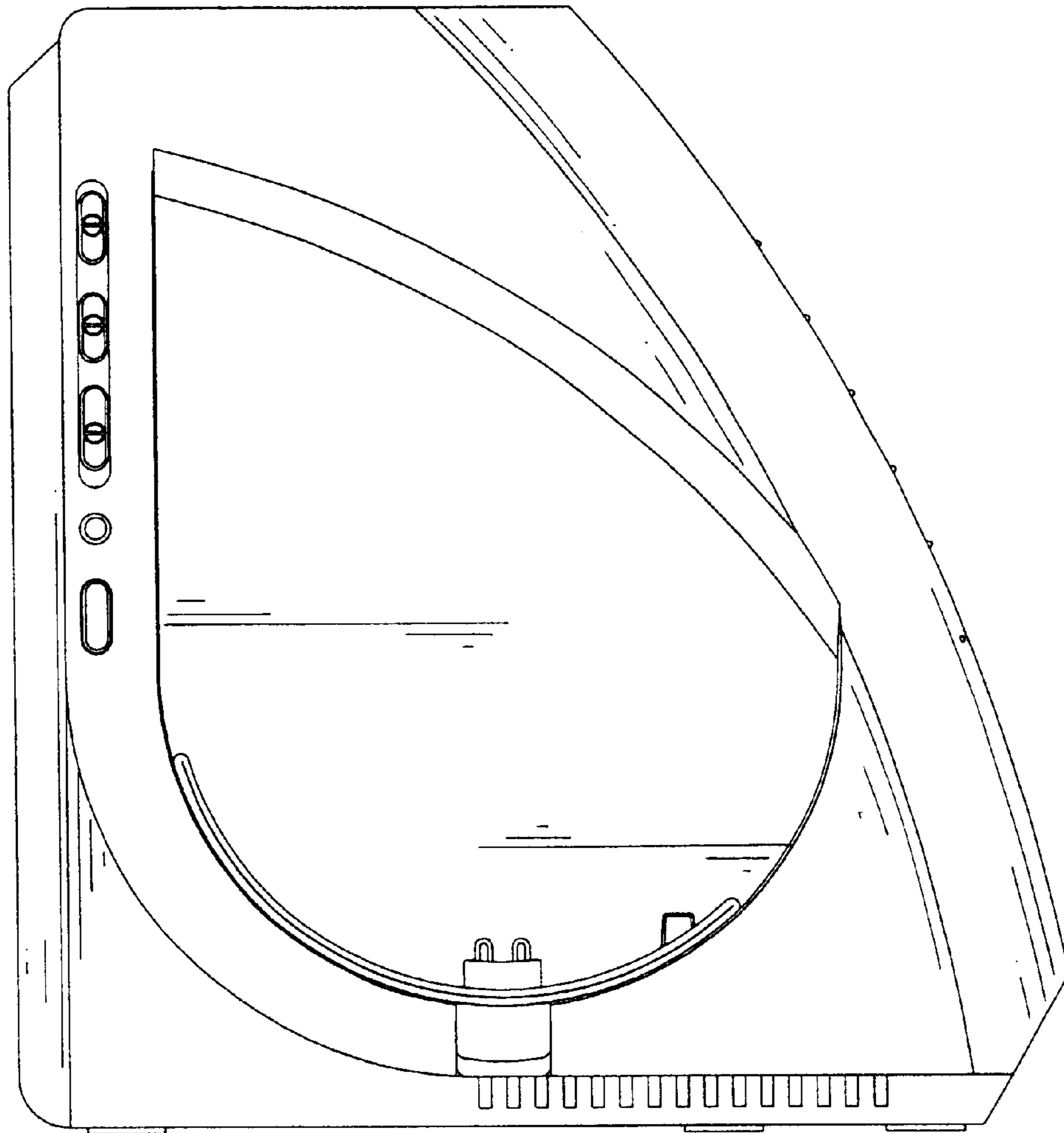


FIG. 2

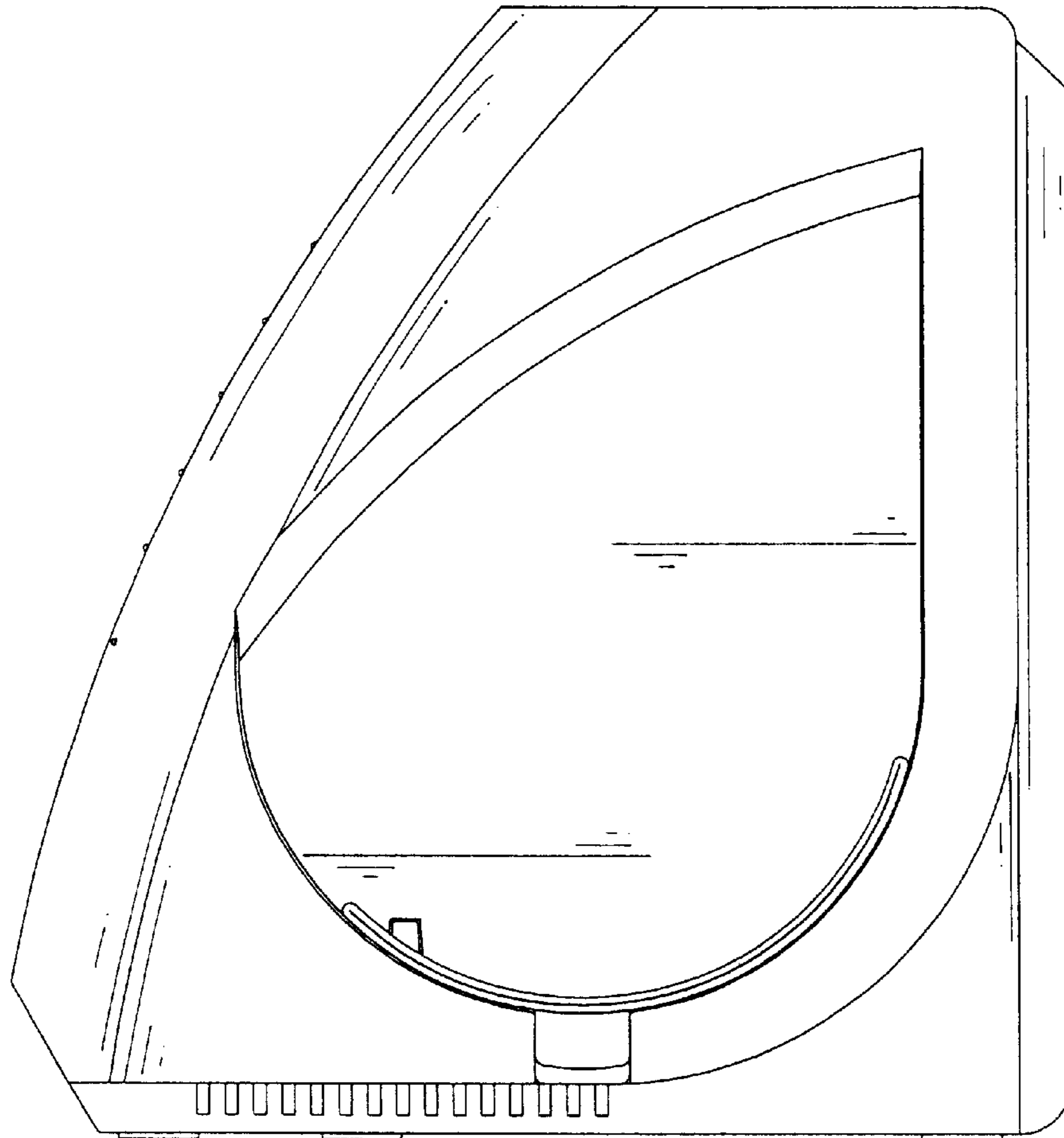


FIG. 3

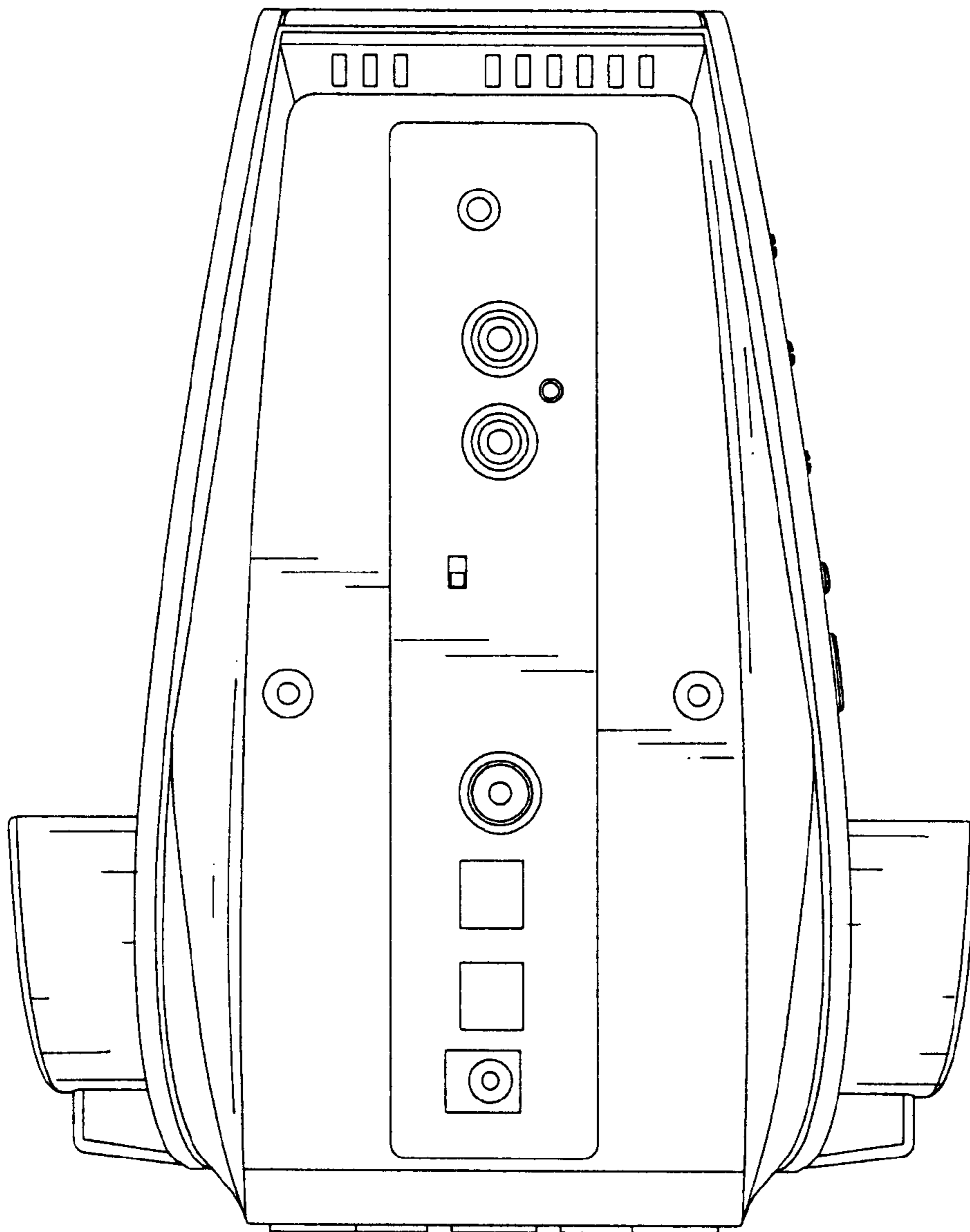


FIG. 4

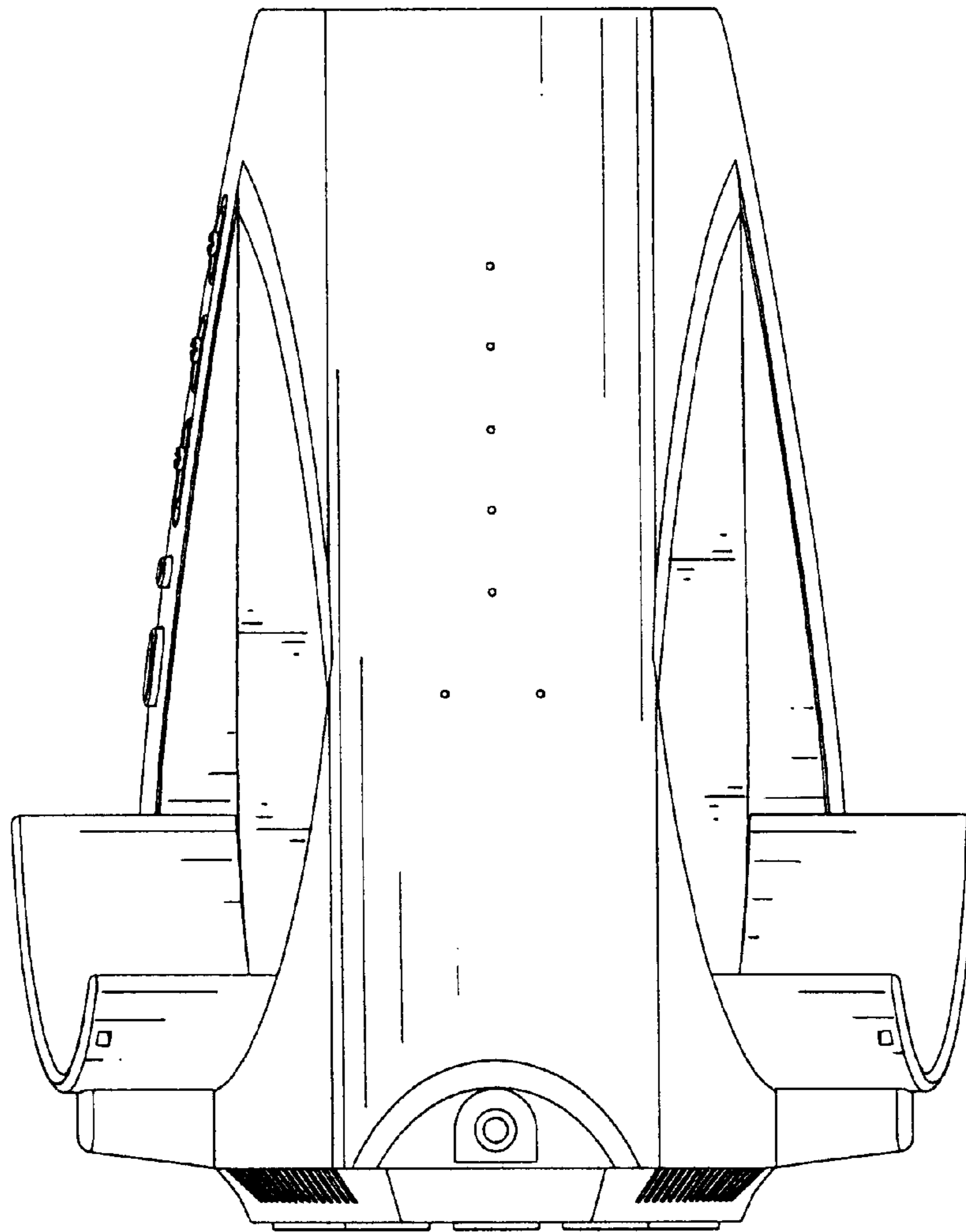


FIG. 5

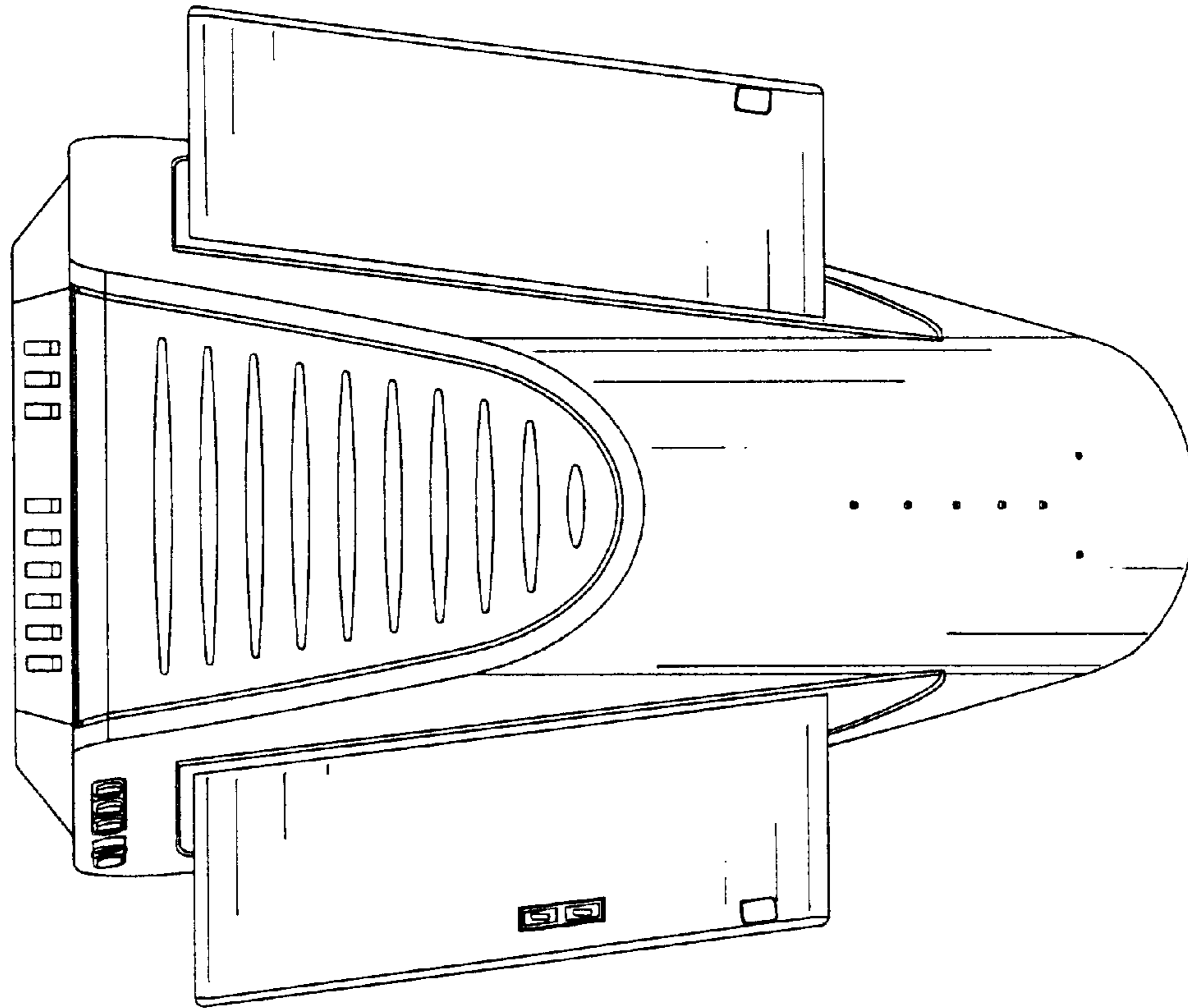


FIG. 6

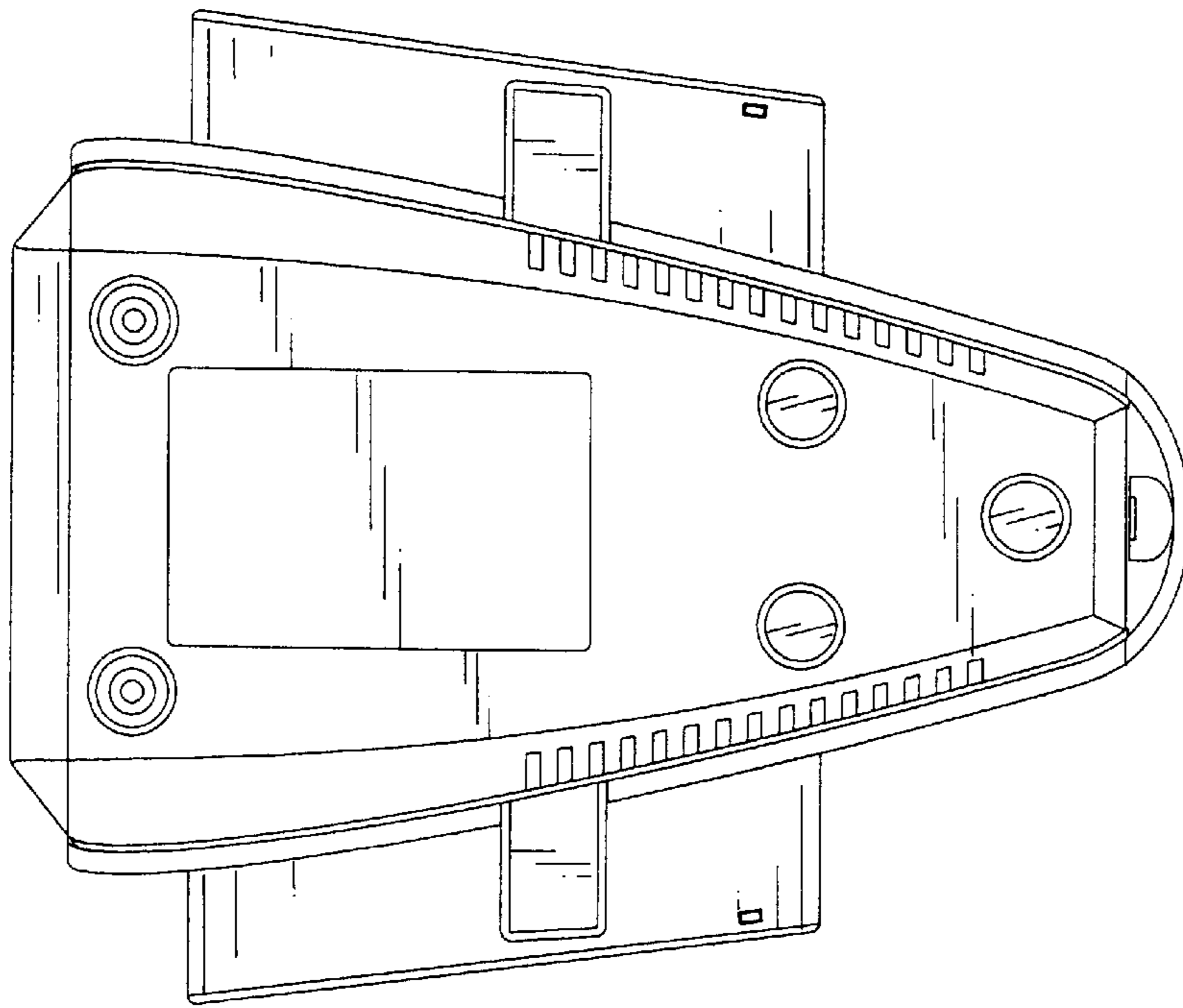


FIG. 7