



US00D538238S

(12) **United States Design Patent** (10) **Patent No.:** **US D538,238 S**  
**Alker et al.** (45) **Date of Patent:** **\*\* Mar. 13, 2007**

(54) **DECORATIVE KNOB FOR A LIGHTING CONTROL**

(75) Inventors: **Raymond W. Alker**, Greensboro, PA (US); **Elliot G. Jacoby**, Glenside, PA (US)

(73) Assignee: **Lutron Electronics Co., Inc.**, Coopersburg, PA (US)

(\*\*) Term: **14 Years**

(21) Appl. No.: **29/237,443**

(22) Filed: **Aug. 31, 2005**

(51) **LOC (8) Cl.** ..... **13-03**

(52) **U.S. Cl.** ..... **D13/174**

(58) **Field of Classification Search** ..... D13/162, D13/164, 169, 170, 171, 174, 108, 116, 118; D8/353; 200/5 A, 293, 296, 297, 329, 333, 200/335, 339, 341, 520, 530, 537, 550, 552; 220/241; 307/125, 139; 315/291-296; D3/211; D14/232; D21/712; D99/37

See application file for complete search history.

(56) **References Cited**

**U.S. PATENT DOCUMENTS**

4,939,383 A \* 7/1990 Tucker et al. .... 307/139  
5,191,971 A \* 3/1993 Hakkarainen et al. .... 200/550

D335,282 S \* 5/1993 Jurell et al. .... D13/170  
D387,772 S \* 12/1997 Steinberg ..... D14/230  
D419,686 S \* 1/2000 Sikorski ..... D25/7  
D424,064 S \* 5/2000 Suh ..... D14/232  
D437,584 S \* 2/2001 Radosavljevic et al. ... D13/170  
D477,575 S \* 7/2003 Mayo et al. .... D13/171  
D522,710 S \* 6/2006 Beacham ..... D99/37

\* cited by examiner

*Primary Examiner*—Selina Sikder

(74) *Attorney, Agent, or Firm*—Drinker Biddle & Reath LLP

(57) **CLAIM**

The ornamental design for a decorative knob for a lighting control, as shown and described.

**DESCRIPTION**

FIG. 1 is a perspective view of a decorative knob for a lighting control according to our new design.

FIG. 2 is a front view thereof.

FIG. 3 is a left side view thereof.

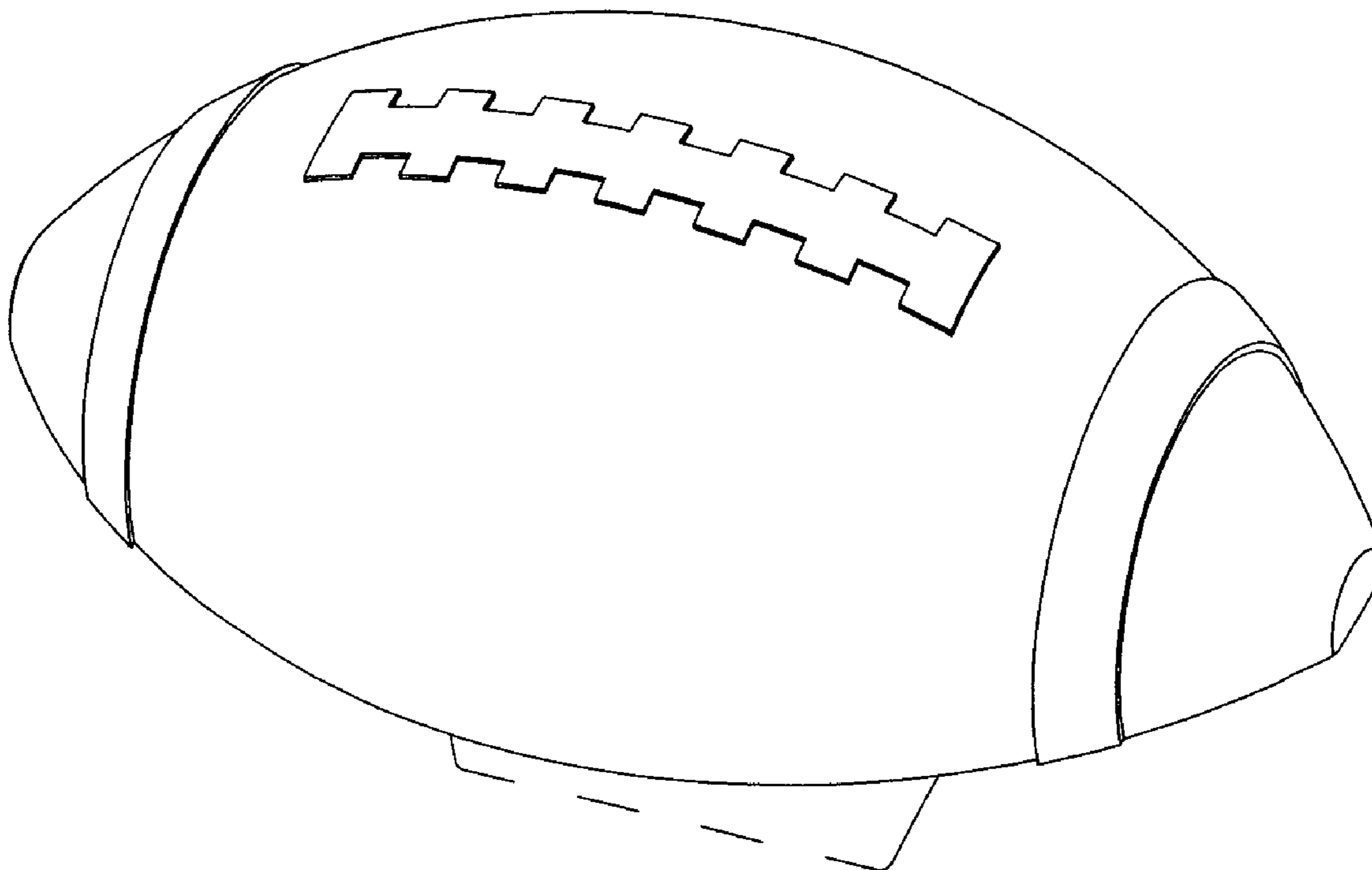
FIG. 4 is a right side view thereof.

FIG. 5 is a top view thereof; and,

FIG. 6 is a bottom view thereof.

The rear view forms no part of the design and is omitted. The portions of the drawings appearing in broken line are for environment only and do not form a part of the design.

**1 Claim, 4 Drawing Sheets**



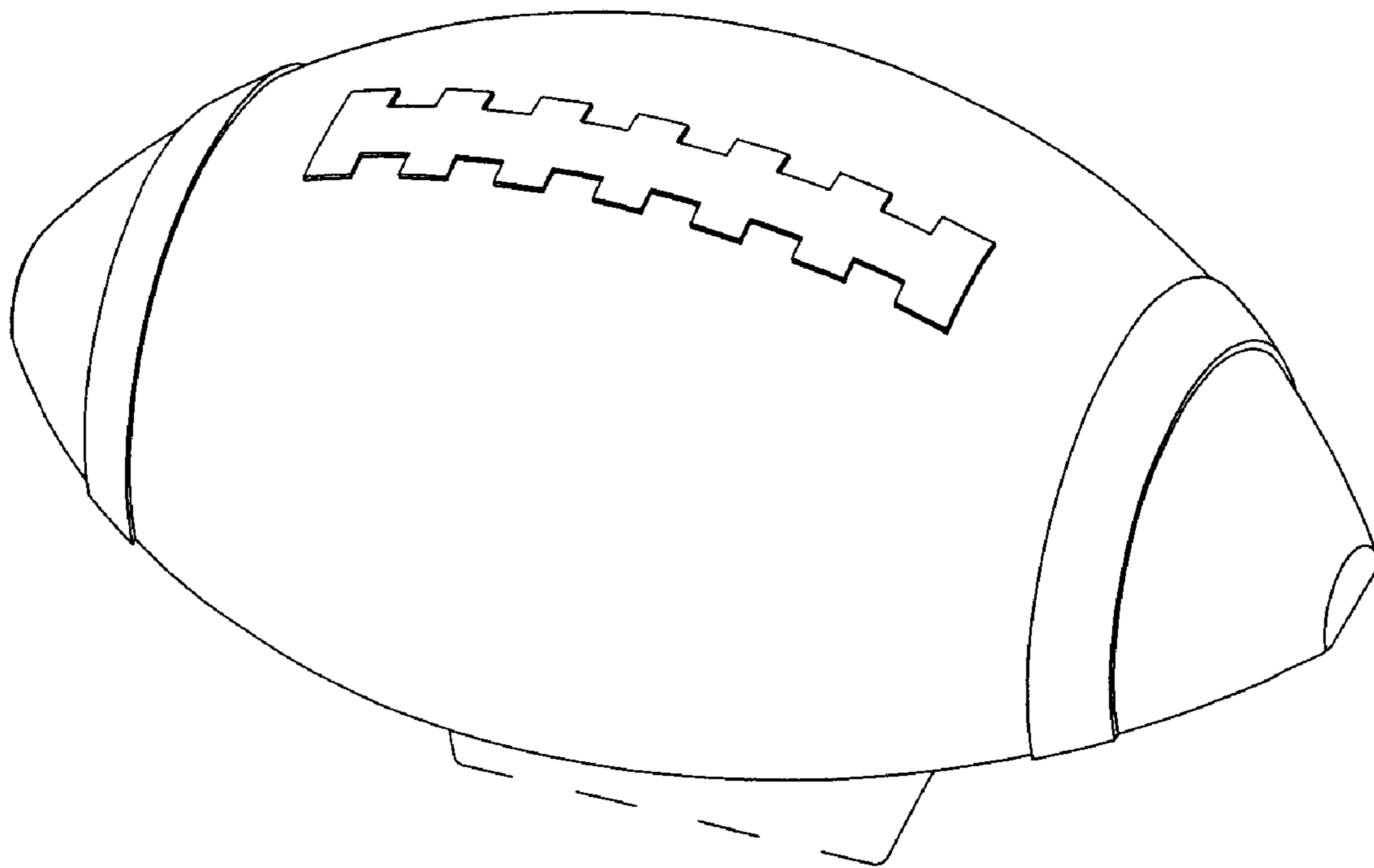


FIG. 1

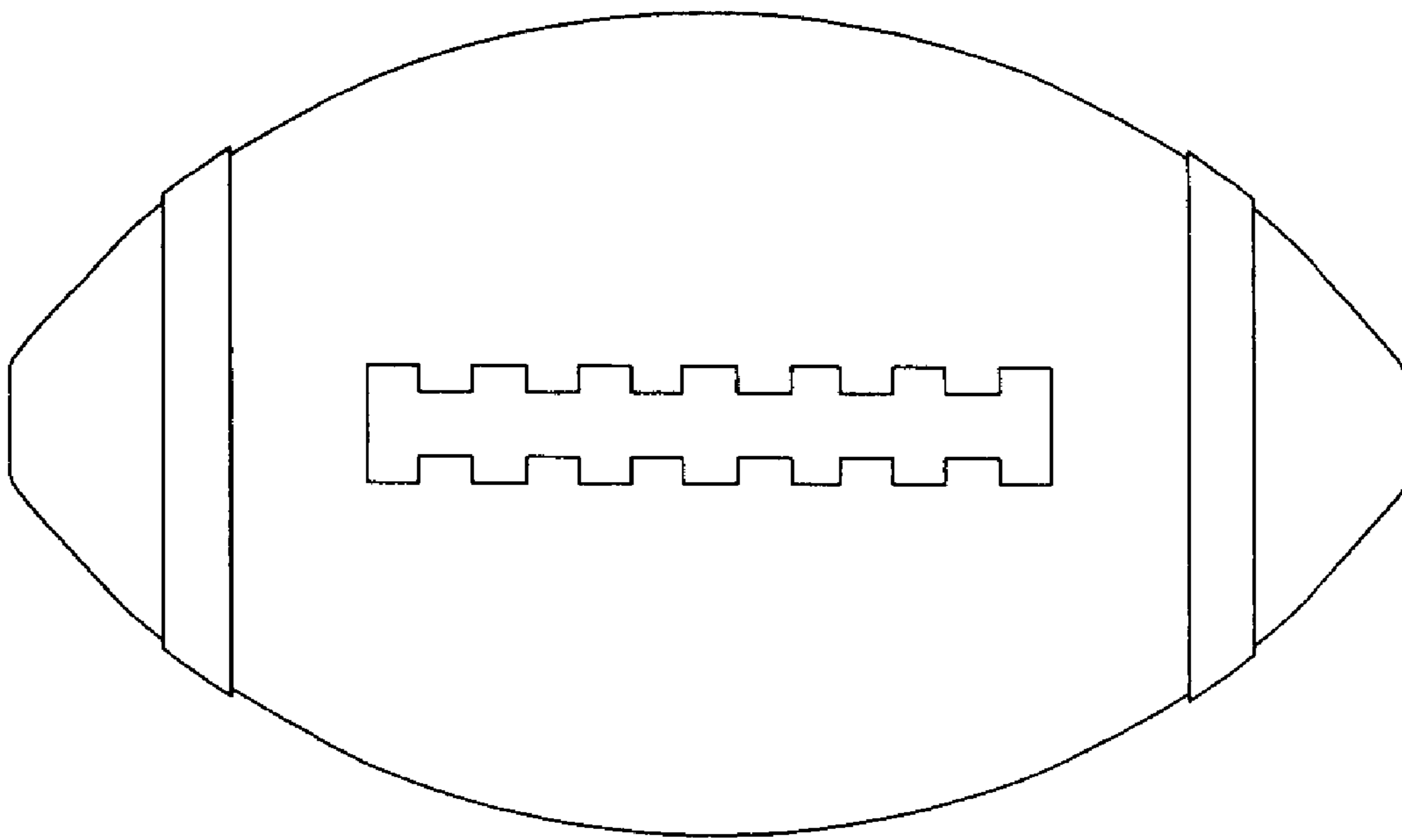


FIG. 2

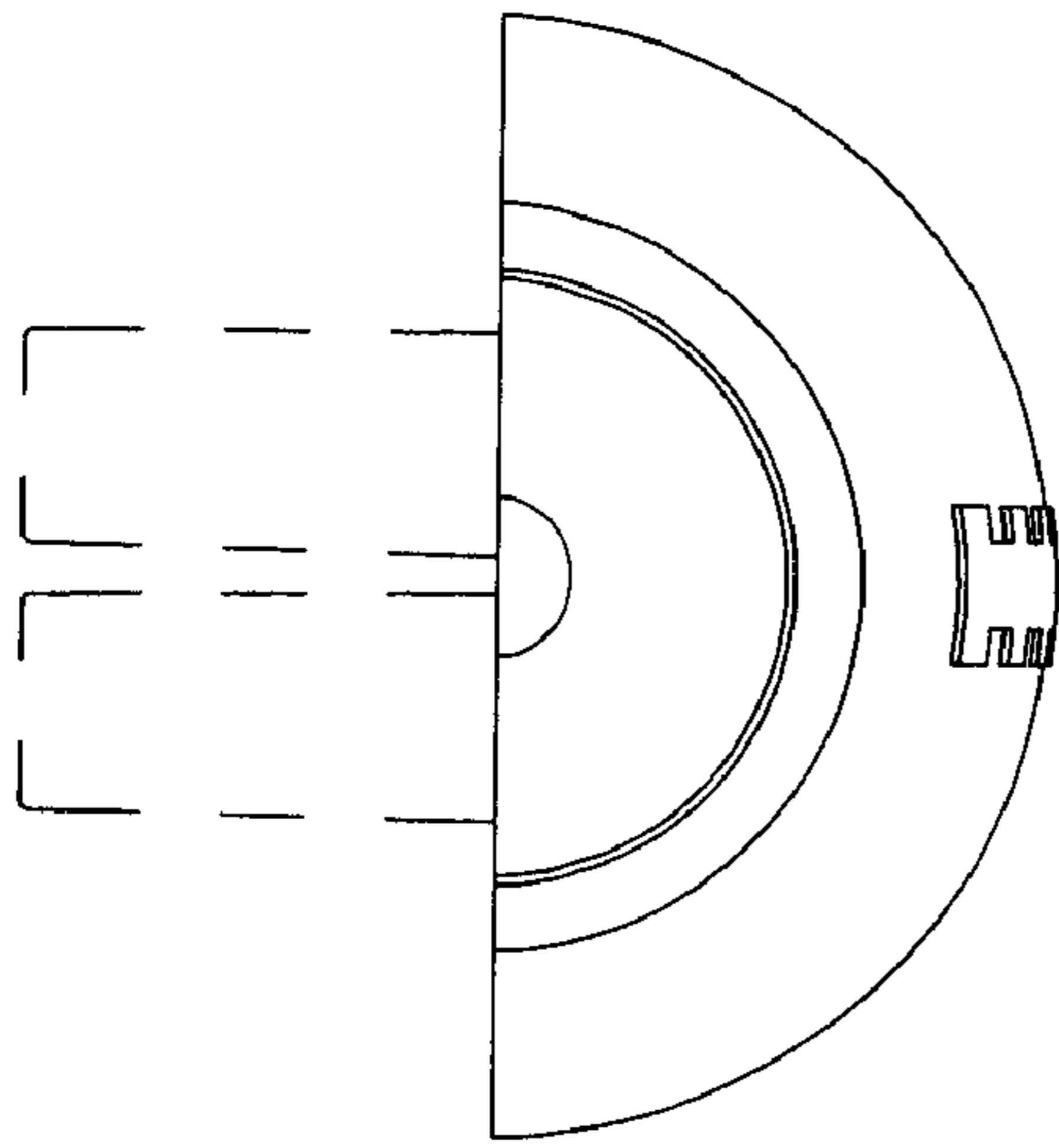


FIG. 3

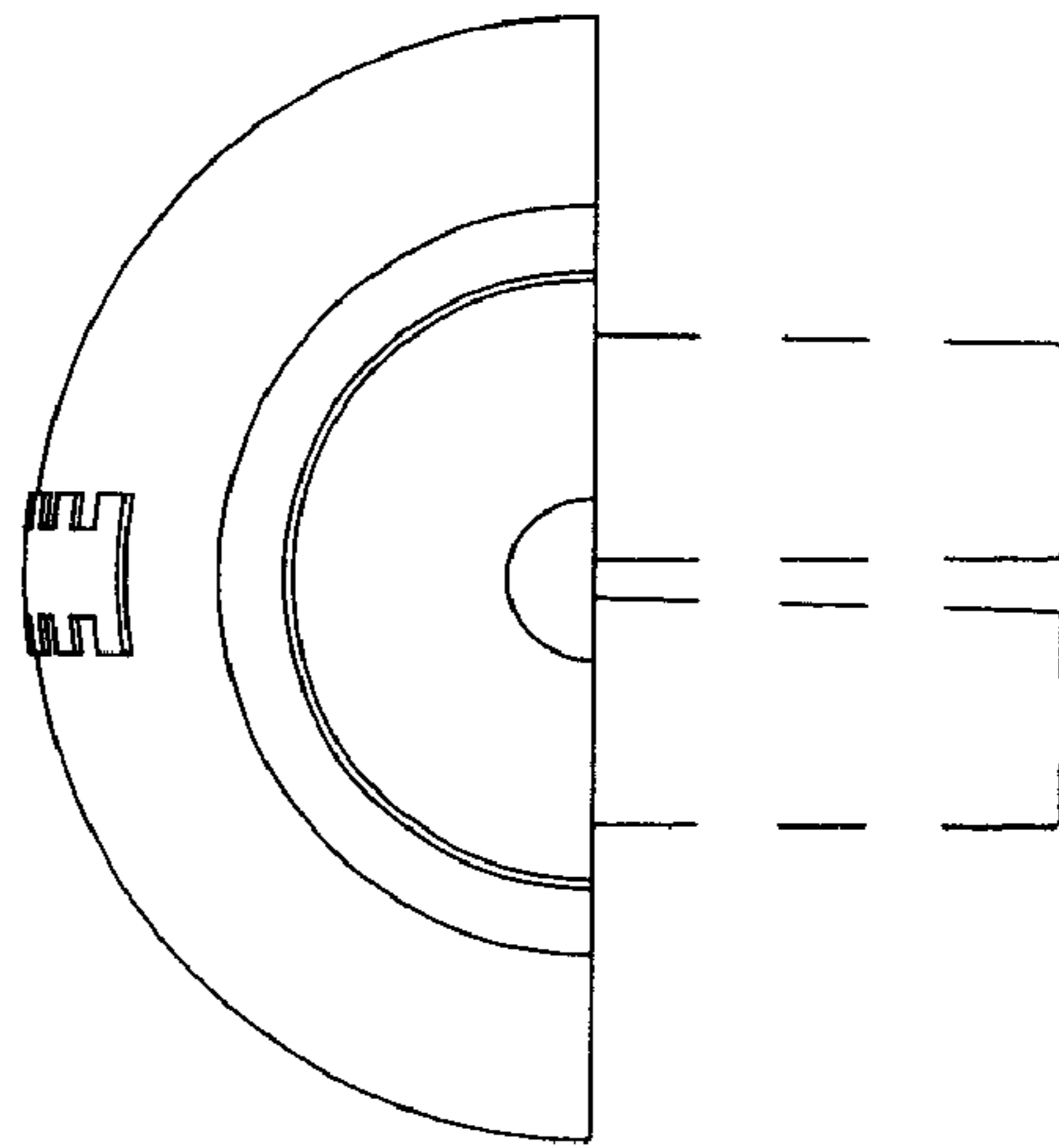


FIG. 4

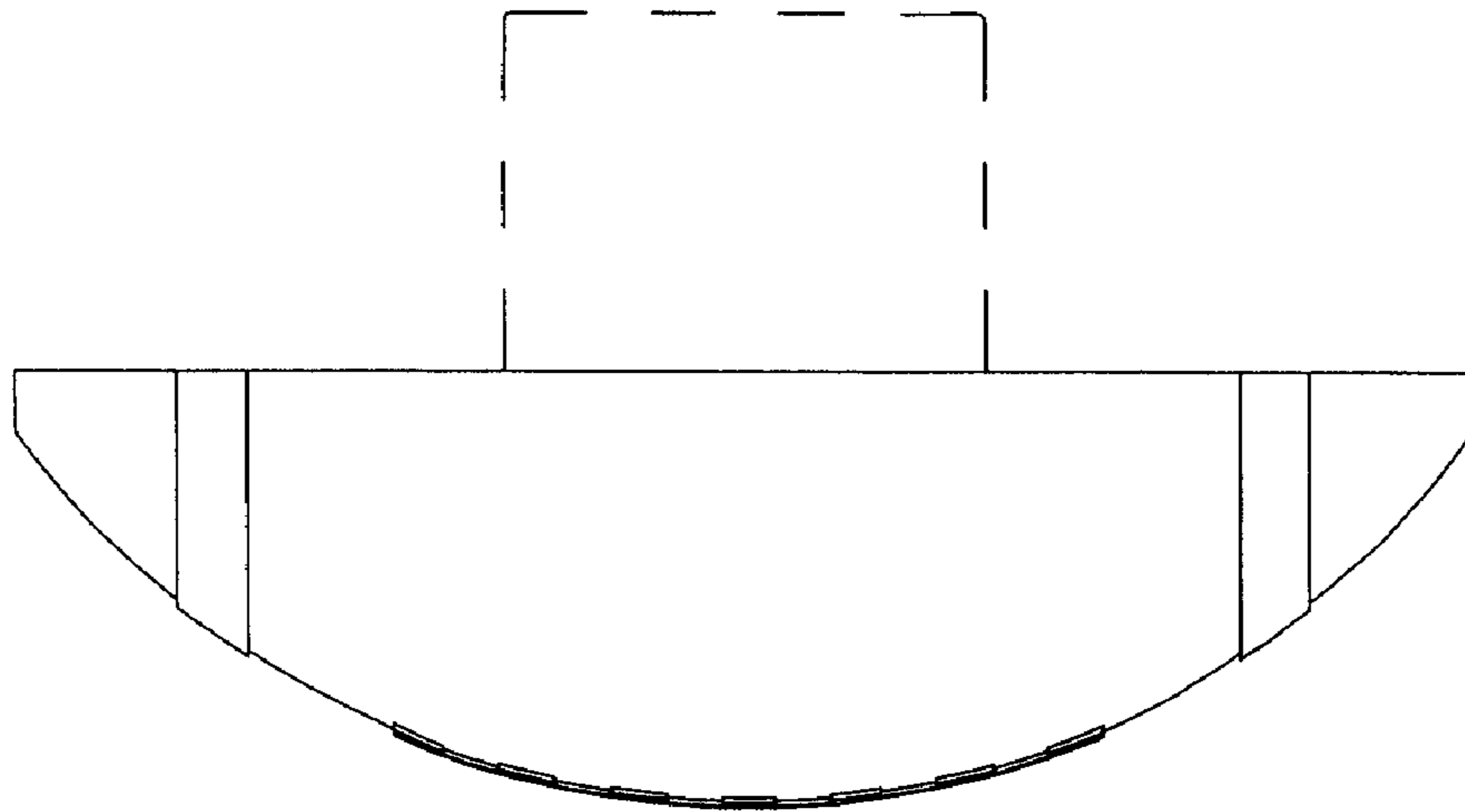


FIG. 5

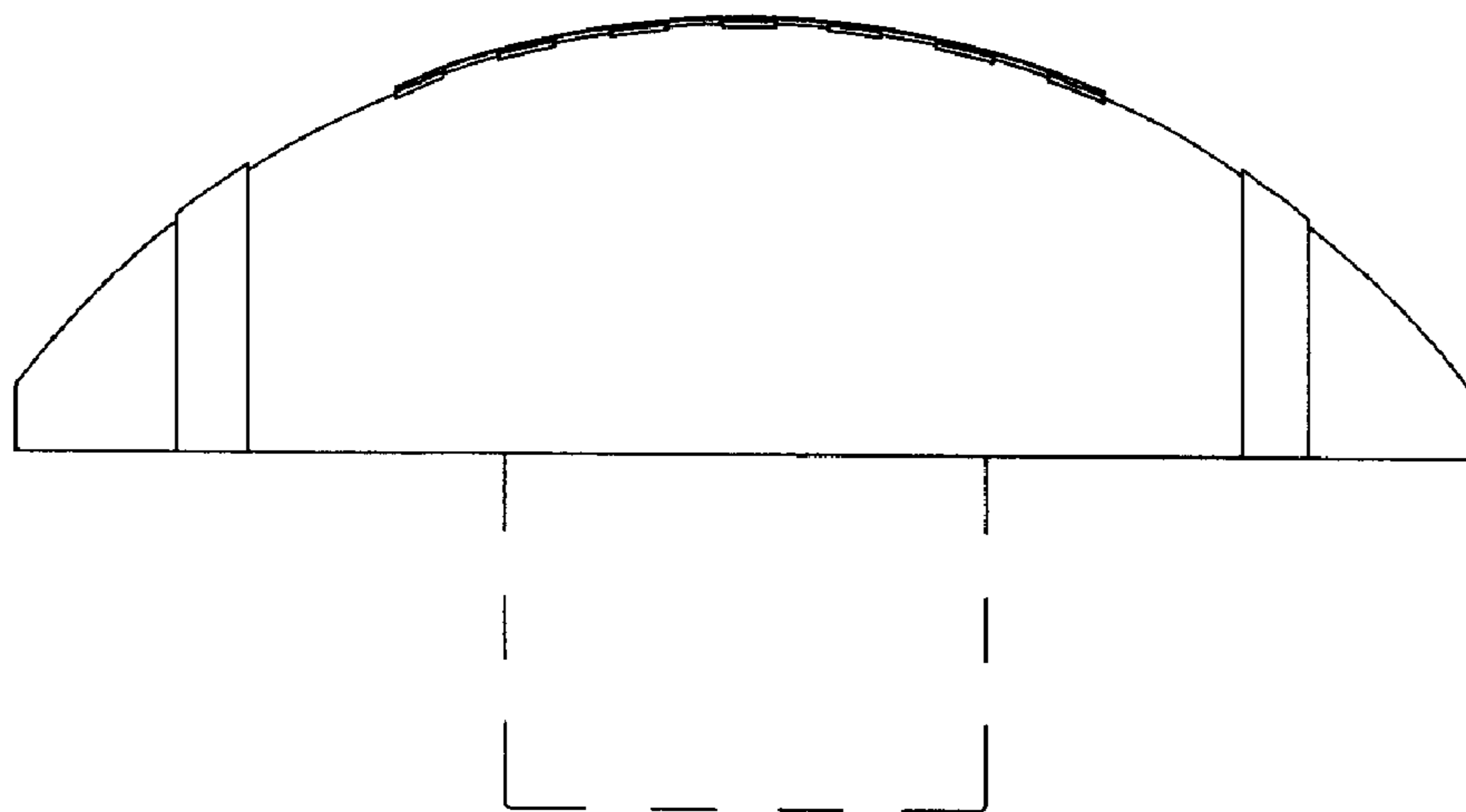


FIG. 6