

US00D538237S

(12) **United States Design Patent**  
**Castaldo**

(10) **Patent No.:** **US D538,237 S**

(45) **Date of Patent:** **\*\* Mar. 13, 2007**

(54) **ELECTRICAL RECEPTACLE HOUSING**

(75) Inventor: **Cosmo Castaldo**, Westbury, NY (US)

(73) Assignee: **Leviton Manufacturing Co., Inc.**,  
Little Neck, NY (US)

(\*\*) Term: **14 Years**

(21) Appl. No.: **29/204,173**

(22) Filed: **Apr. 26, 2004**

(51) **LOC (8) Cl.** ..... **13-13**

(52) **U.S. Cl.** ..... **D13/169; D13/158; D13/184**

(58) **Field of Classification Search** ..... D13/158,  
D13/169, 184; 174/52.1, 52.2, 53, 58, 60,  
174/65 R, 66, 67; 200/50.02, 50.28; 220/4.02;  
361/630; 439/135, 535

See application file for complete search history.

(56) **References Cited**

**U.S. PATENT DOCUMENTS**

- 5,243,157 A \* 9/1993 Hoffman ..... 200/43.11
- D354,738 S \* 1/1995 Zimmermann et al. .... D13/169
- D406,820 S \* 3/1999 Johnson ..... D13/169
- 5,880,420 A \* 3/1999 Rohmer et al. .... 200/50.28

- D426,813 S \* 6/2000 Rohmer ..... D13/169
- 6,448,515 B1 \* 9/2002 Rohmer et al. .... 200/50.28
- 6,956,176 B2 \* 10/2005 Castaldo ..... 200/50.28
- 2006/0027446 A1 \* 2/2006 Castaldo ..... 200/50.28

\* cited by examiner

*Primary Examiner*—Selina Sikder

(74) *Attorney, Agent, or Firm*—Paul J. Sutton

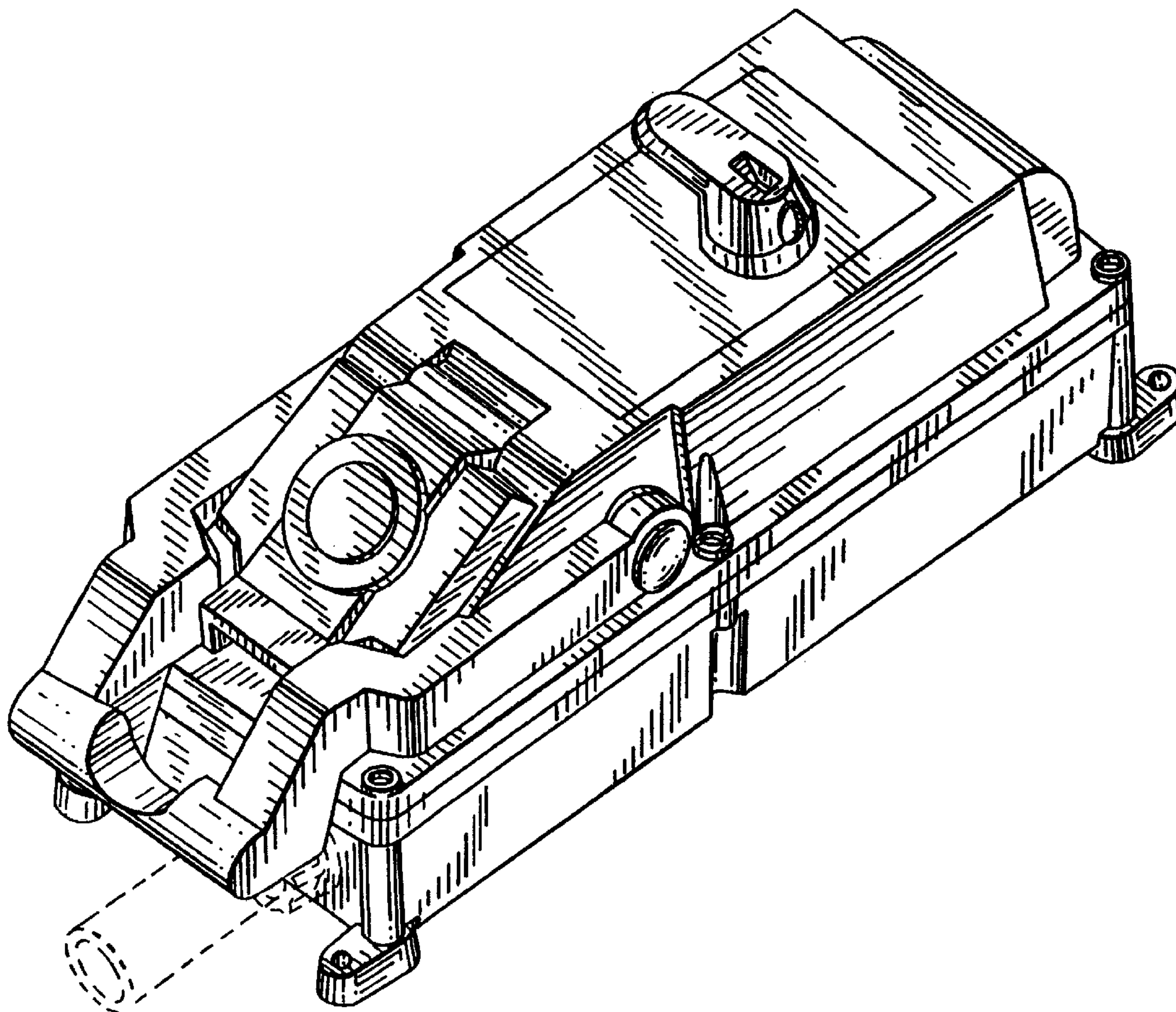
(57) **CLAIM**

I claim the ornamental design for an electrical receptacle housing, as shown and described.

**DESCRIPTION**

FIG. 1 is a perspective view of an electrical receptacle housing showing my new design;  
 FIG. 2 is a top view thereof;  
 FIG. 3 is a front view thereof;  
 FIG. 4 is a side view thereof, the opposite side being a mirror image;  
 FIG. 5 is a rear view thereof; and,  
 FIG. 6 is a bottom view thereof.  
 The broken lines shown in FIGS. 1, 2, 3, 4 and 6 are for illustrative purposes only and form no part of the claimed design.

**1 Claim, 6 Drawing Sheets**



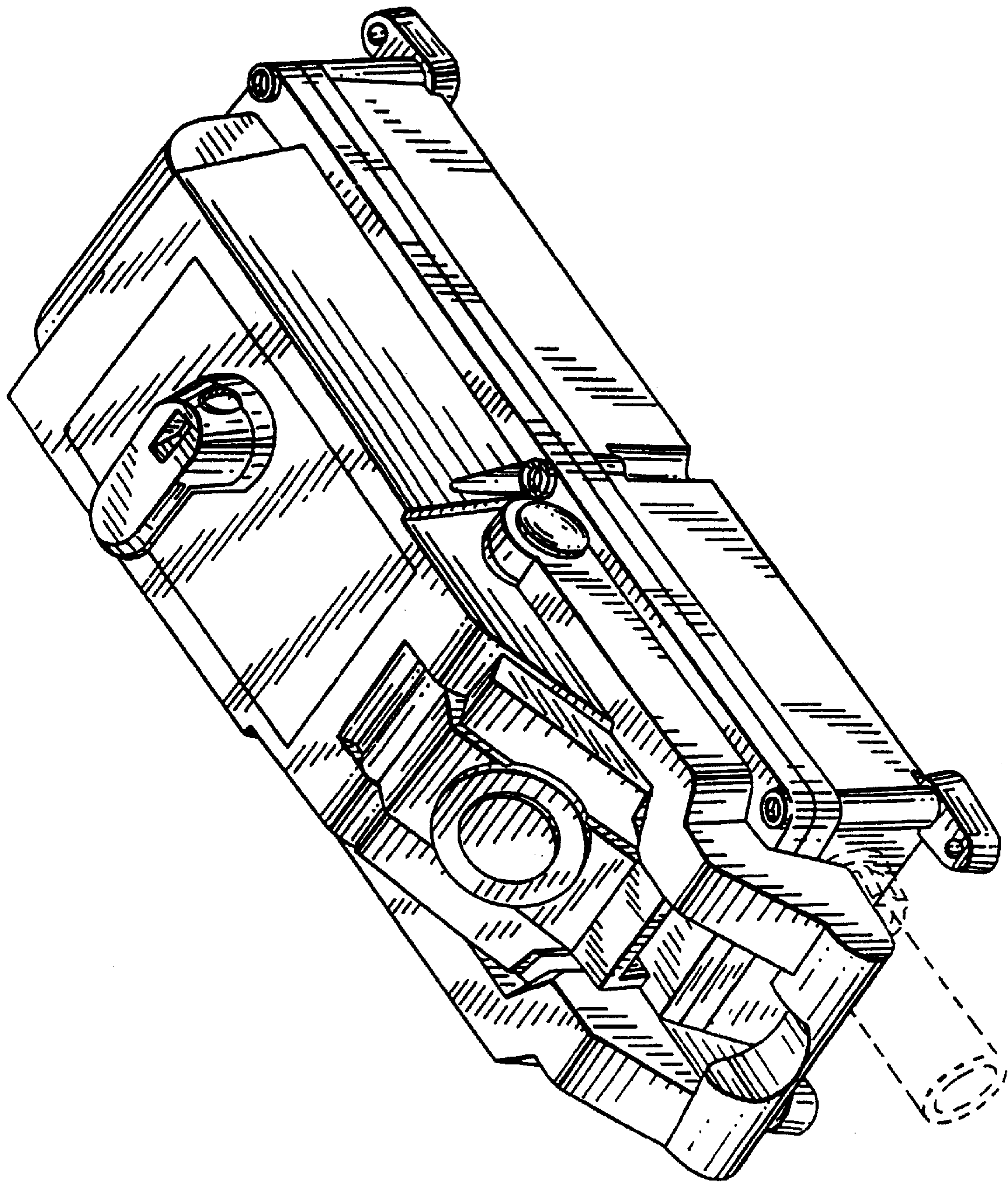


FIG. 1



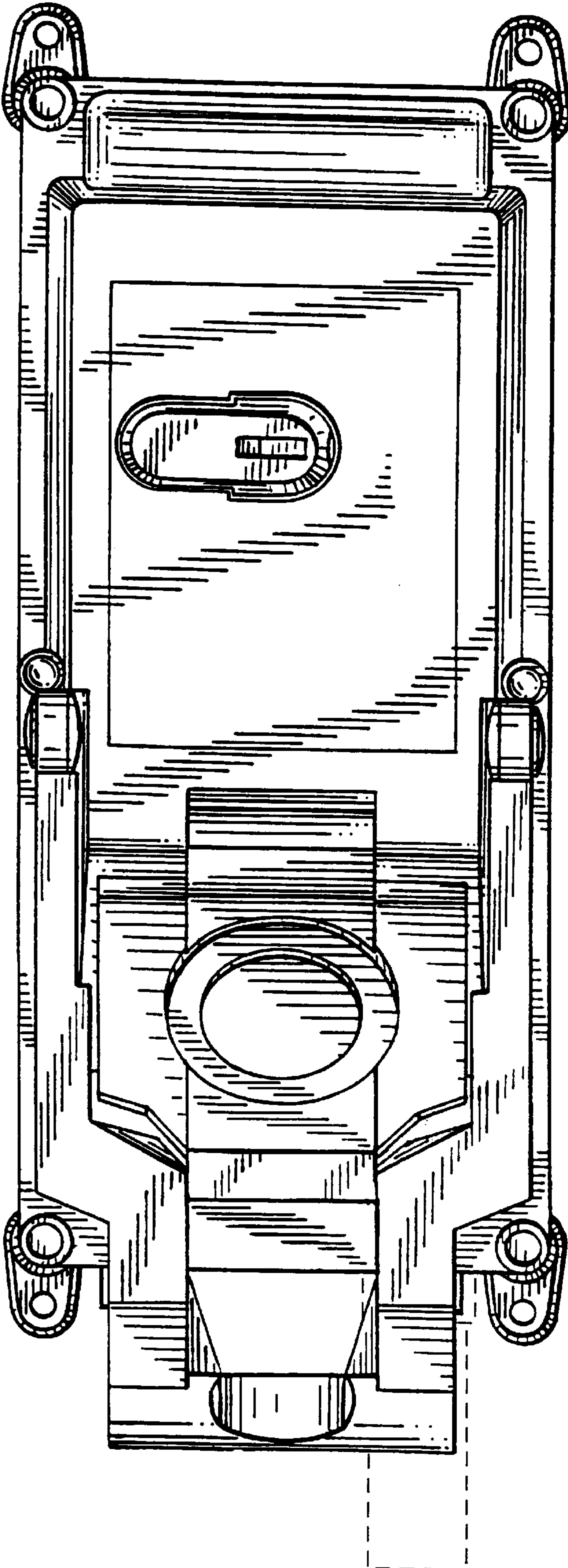
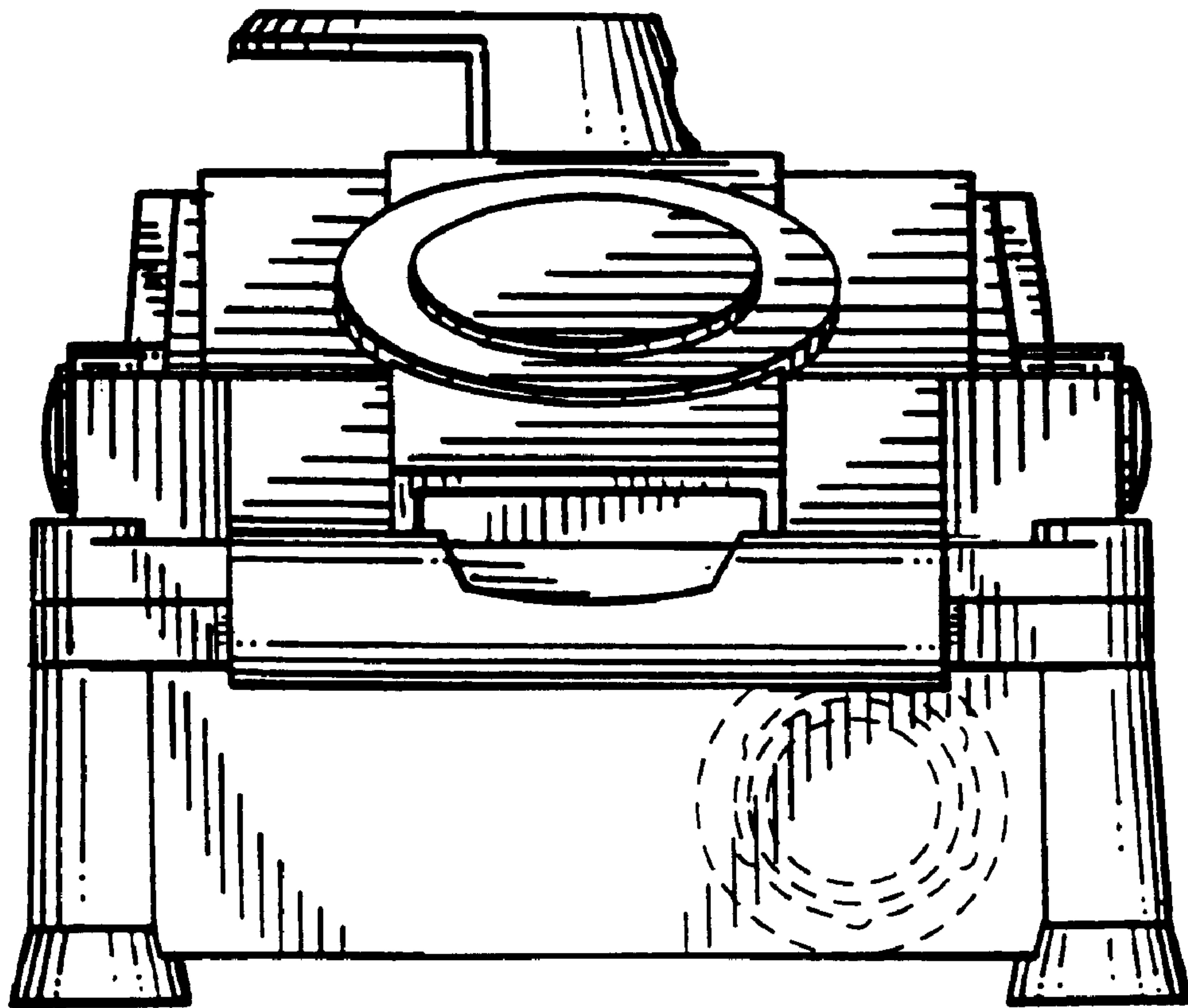


FIG. 2



*FIG. 3*

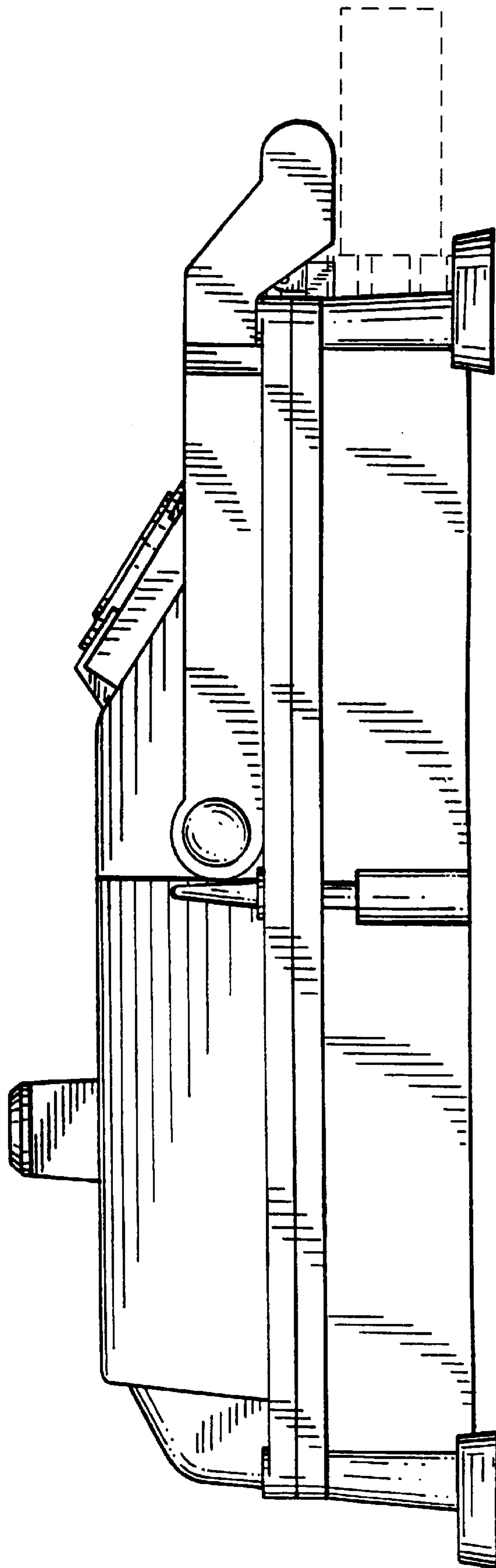
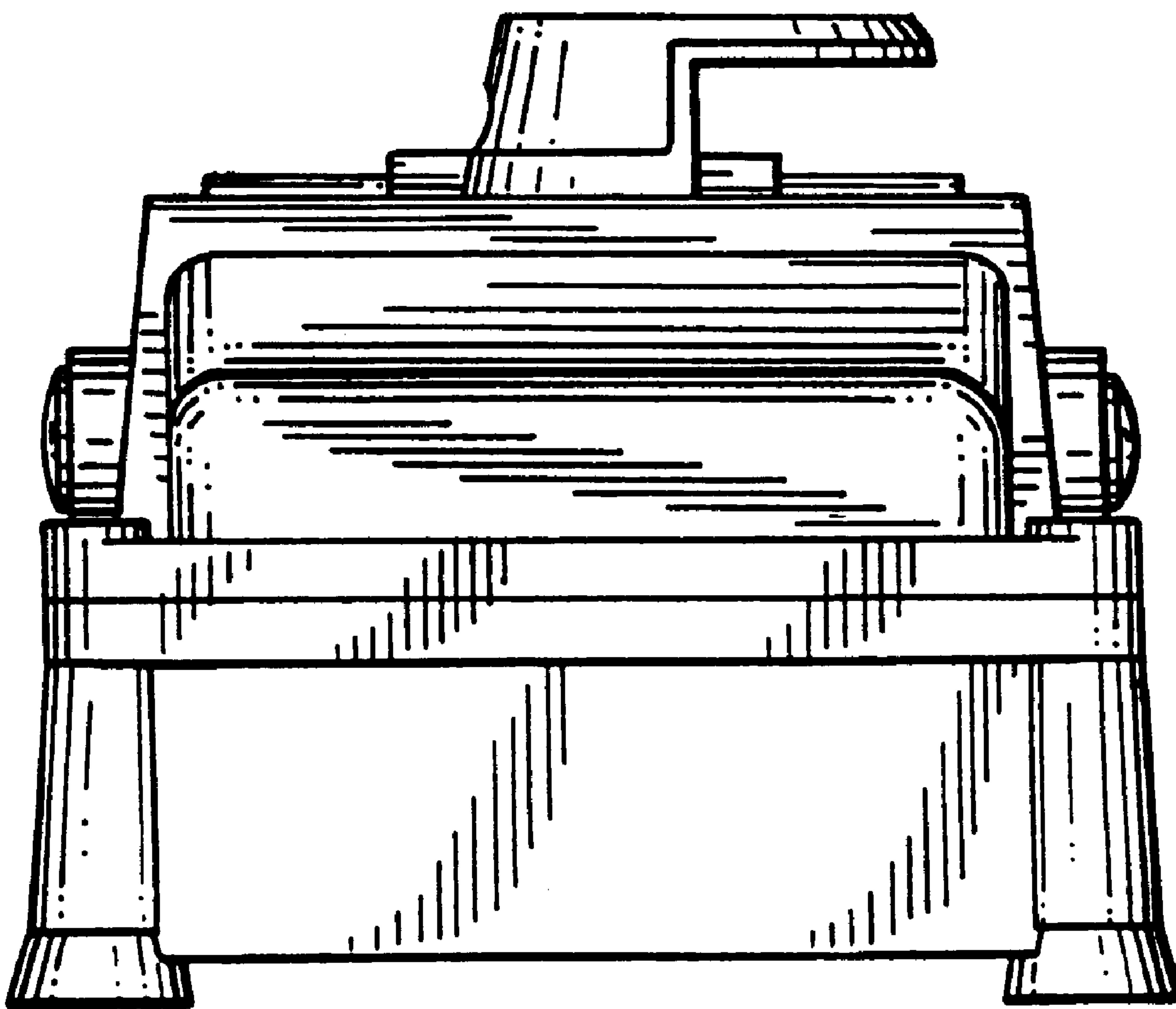


FIG. 4



*FIG. 5*

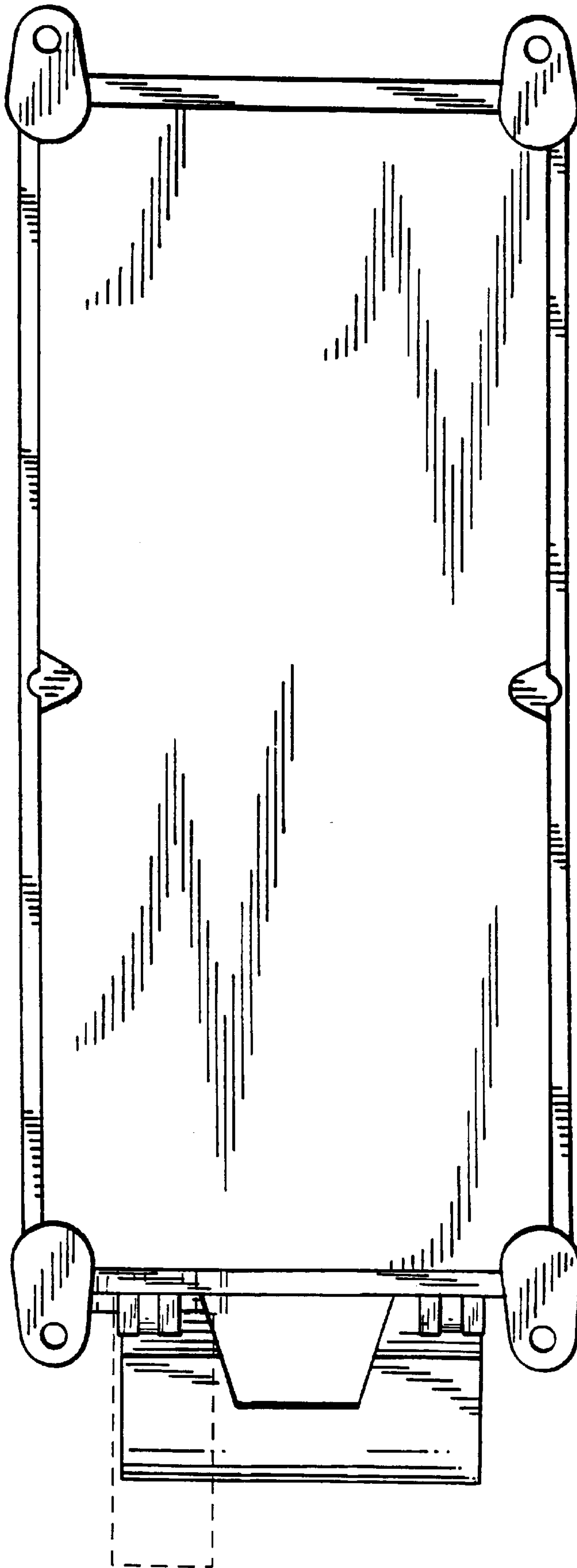


FIG. 6