

US00D538233S

(12) **United States Design Patent**  
**Wan et al.**

(10) **Patent No.:** **US D538,233 S**

(45) **Date of Patent:** **\*\* Mar. 13, 2007**

(54) **ELECTRICAL CONNECTOR ASSEMBLY**

(75) Inventors: **Feng Wan**, Kunshan (CN); **Jin-Kui Hu**, Kunshan (CN); **Guo-Hua Zhang**, Kunshan (CN)

(73) Assignee: **Hon Hai Precision Ind. Co., Ltd.**, Taipei Hsien (TW)

(\*\*) Term: **14 Years**

(21) Appl. No.: **29/262,047**

(22) Filed: **Jun. 26, 2006**

(30) **Foreign Application Priority Data**

Dec. 28, 2005 (CN) ..... 200530171951

(51) **LOC (8) Cl.** ..... **13-03**

(52) **U.S. Cl.** ..... **D13/147**

(58) **Field of Classification Search** ..... D13/123,  
D13/133, 146-147, 154, 184, 199; 439/79,  
439/108, 278, 374, 377, 660, 607-610, 680,  
439/682, 883, 891, 894

See application file for complete search history.

(56) **References Cited**

**U.S. PATENT DOCUMENTS**

D380,196 S \* 6/1997 Aramaki ..... D13/147  
5,685,739 A \* 11/1997 Davis et al. .... 439/607

5,975,954 A \* 11/1999 Wu et al. .... 439/607  
D465,767 S \* 11/2002 Zhu et al. .... D13/147  
6,758,685 B1 \* 7/2004 Huang et al. .... 439/79  
D508,679 S \* 8/2005 Li et al. .... D13/147  
D522,968 S \* 6/2006 Hu et al. .... D13/147  
D522,971 S \* 6/2006 Shang-Yen et al. .... D13/147  
D524,754 S \* 7/2006 Asakawa et al. .... D13/147

**FOREIGN PATENT DOCUMENTS**

TW 467683 12/2001

\* cited by examiner

*Primary Examiner*—Daniel Bui

(74) *Attorney, Agent, or Firm*—Wei Te Chung

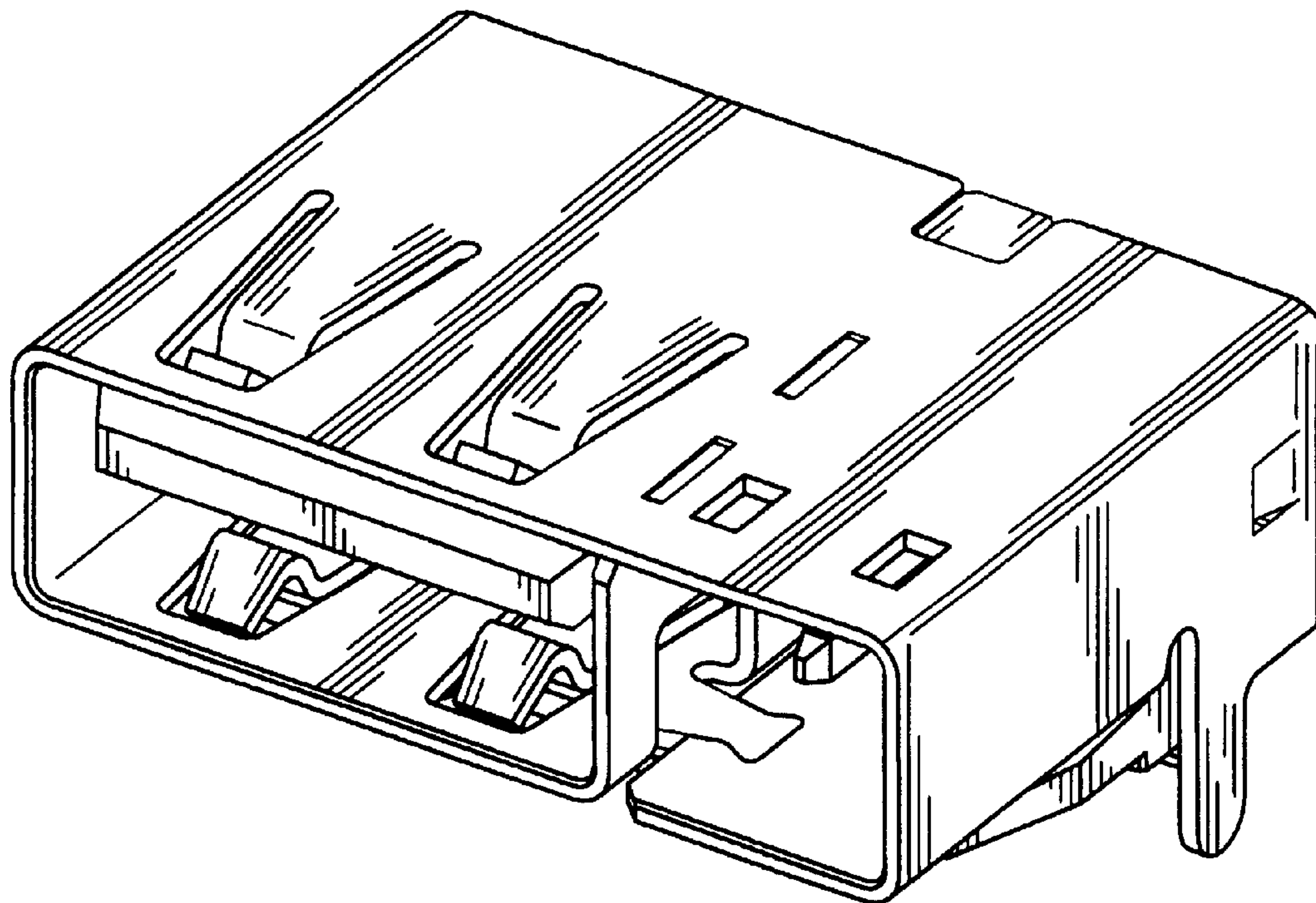
(57) **CLAIM**

The ornamental design for an electrical connector assembly, as shown.

**DESCRIPTION**

FIG. 1 is a front, top and right side perspective view of an electrical connector assembly showing our new design; FIG. 2 is a front elevational view of FIG. 1; FIG. 3 is a rear elevational view of FIG. 1; FIG. 4 is a left side elevational view of FIG. 1; FIG. 5 is a right side elevational view of FIG. 1; FIG. 6 is a top plan view of FIG. 1; and, FIG. 7 is a bottom plan view of FIG. 1.

**1 Claim, 7 Drawing Sheets**



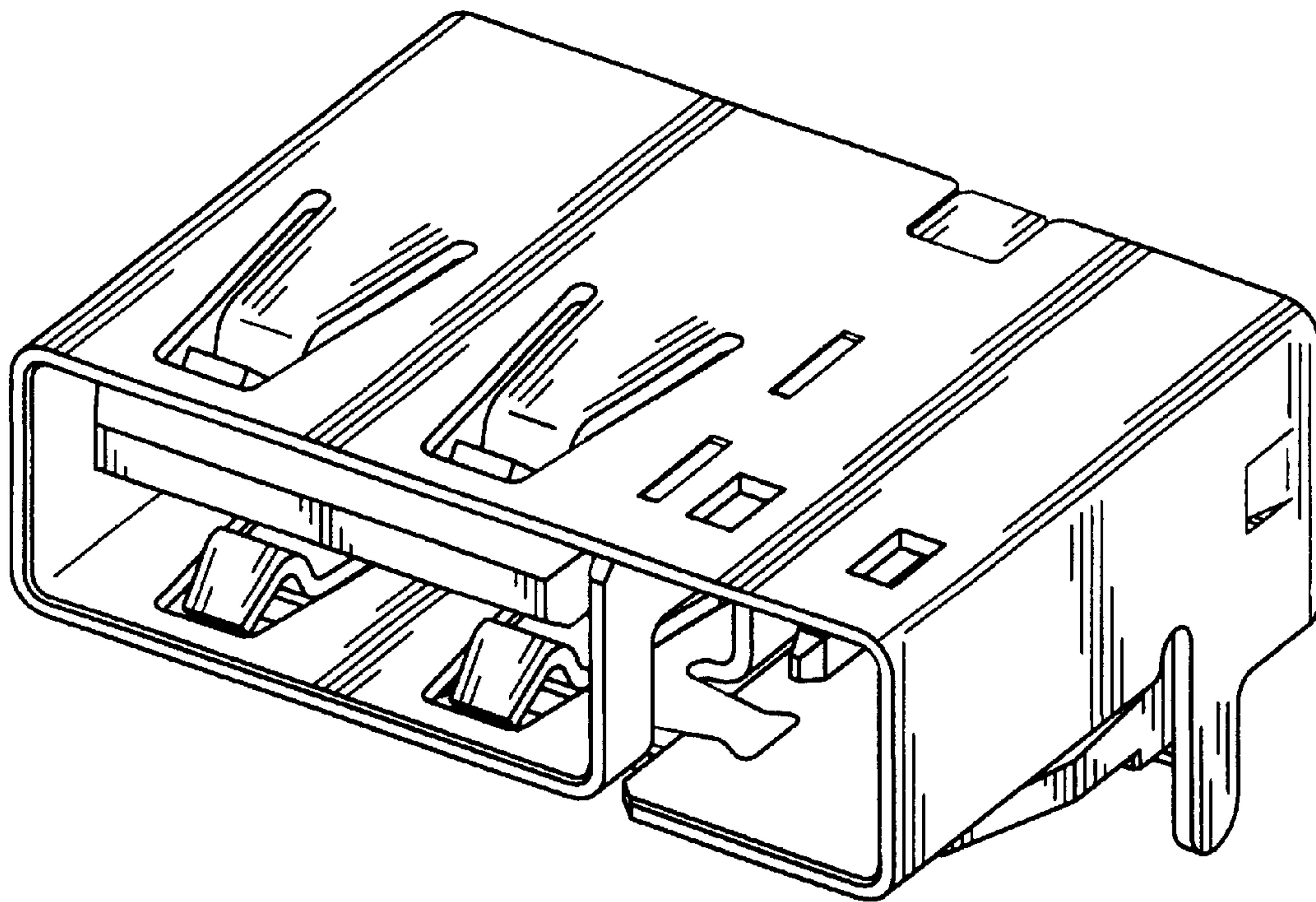


FIG. 1

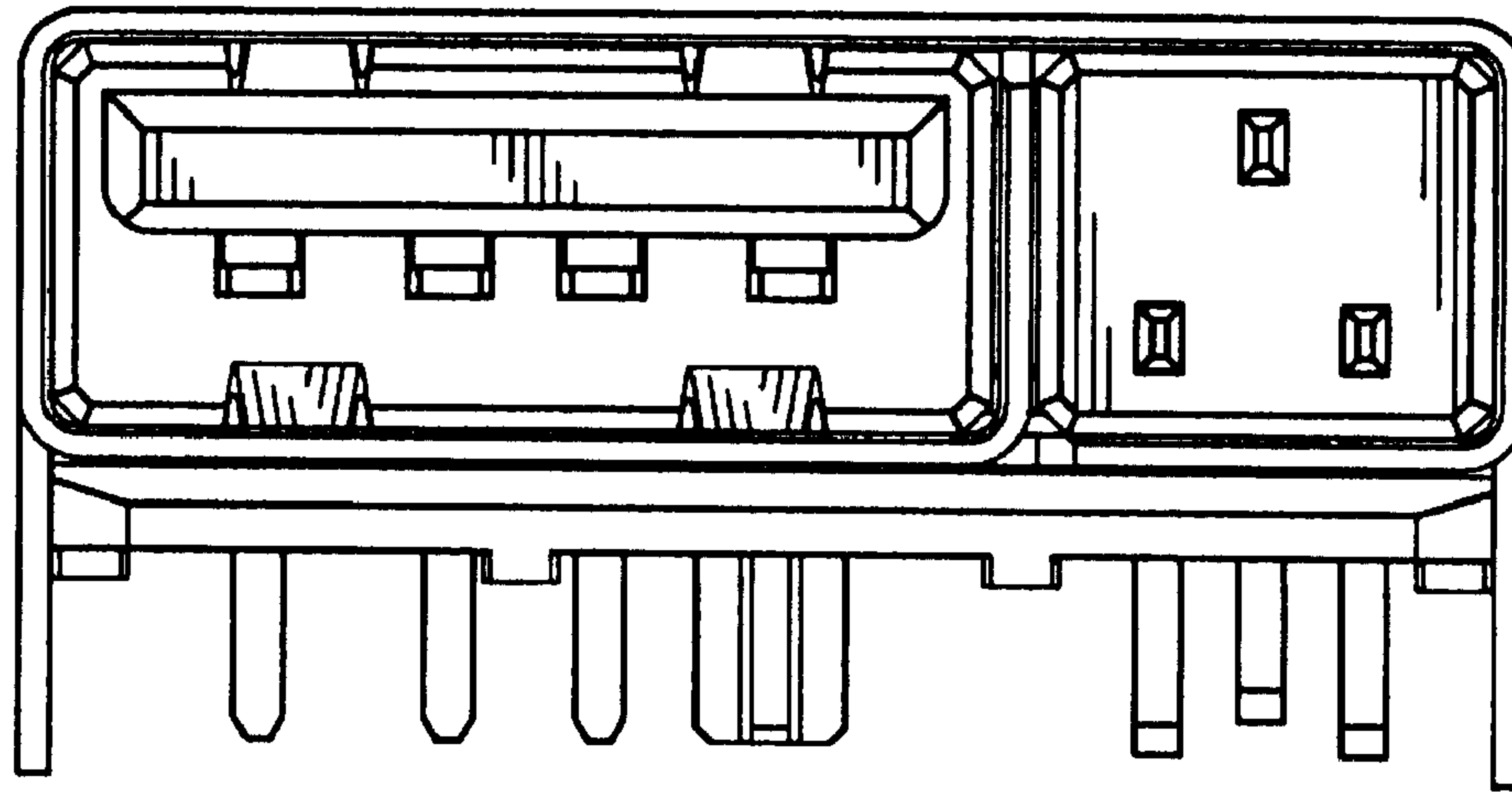


FIG. 2

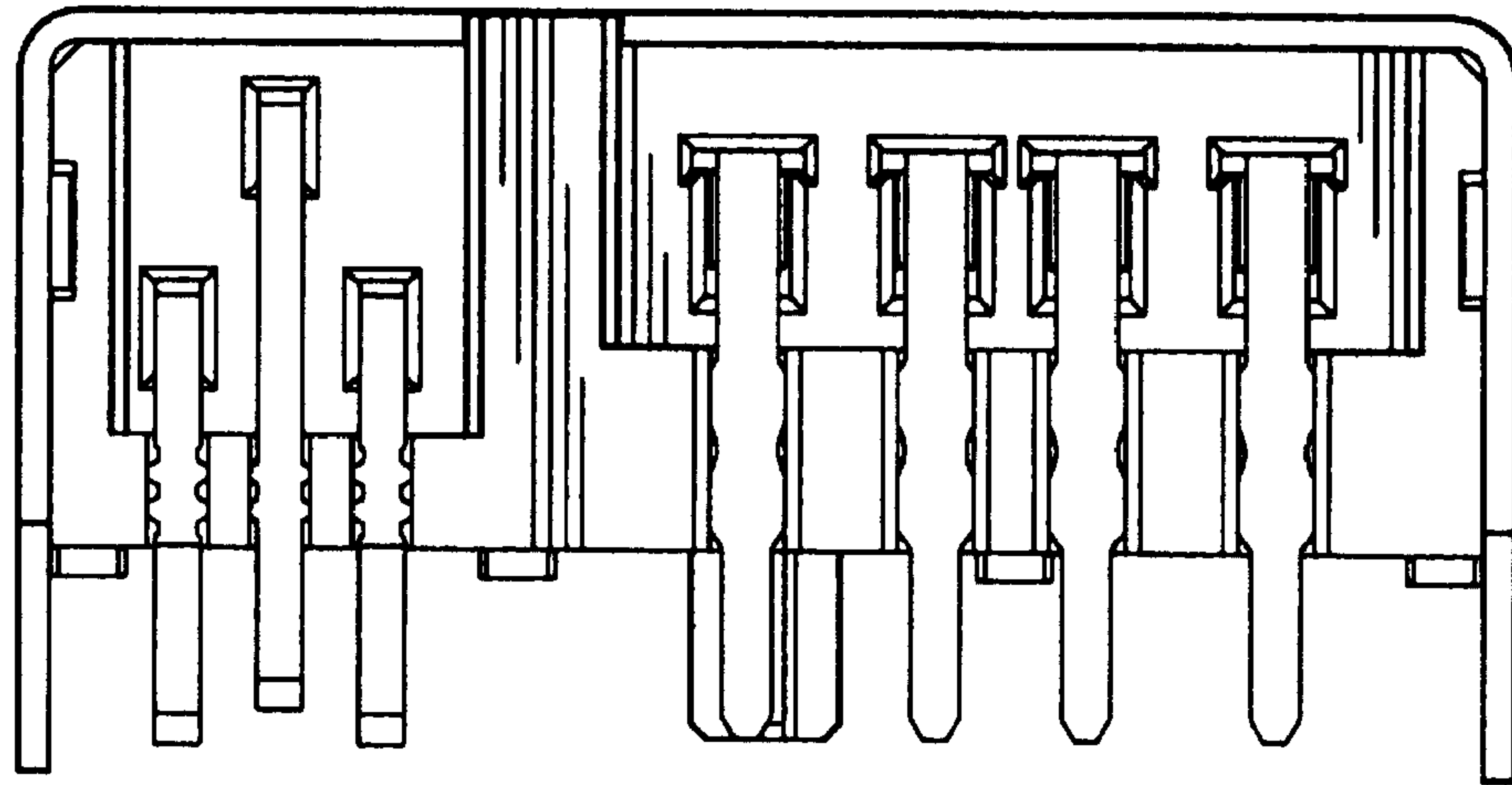


FIG. 3

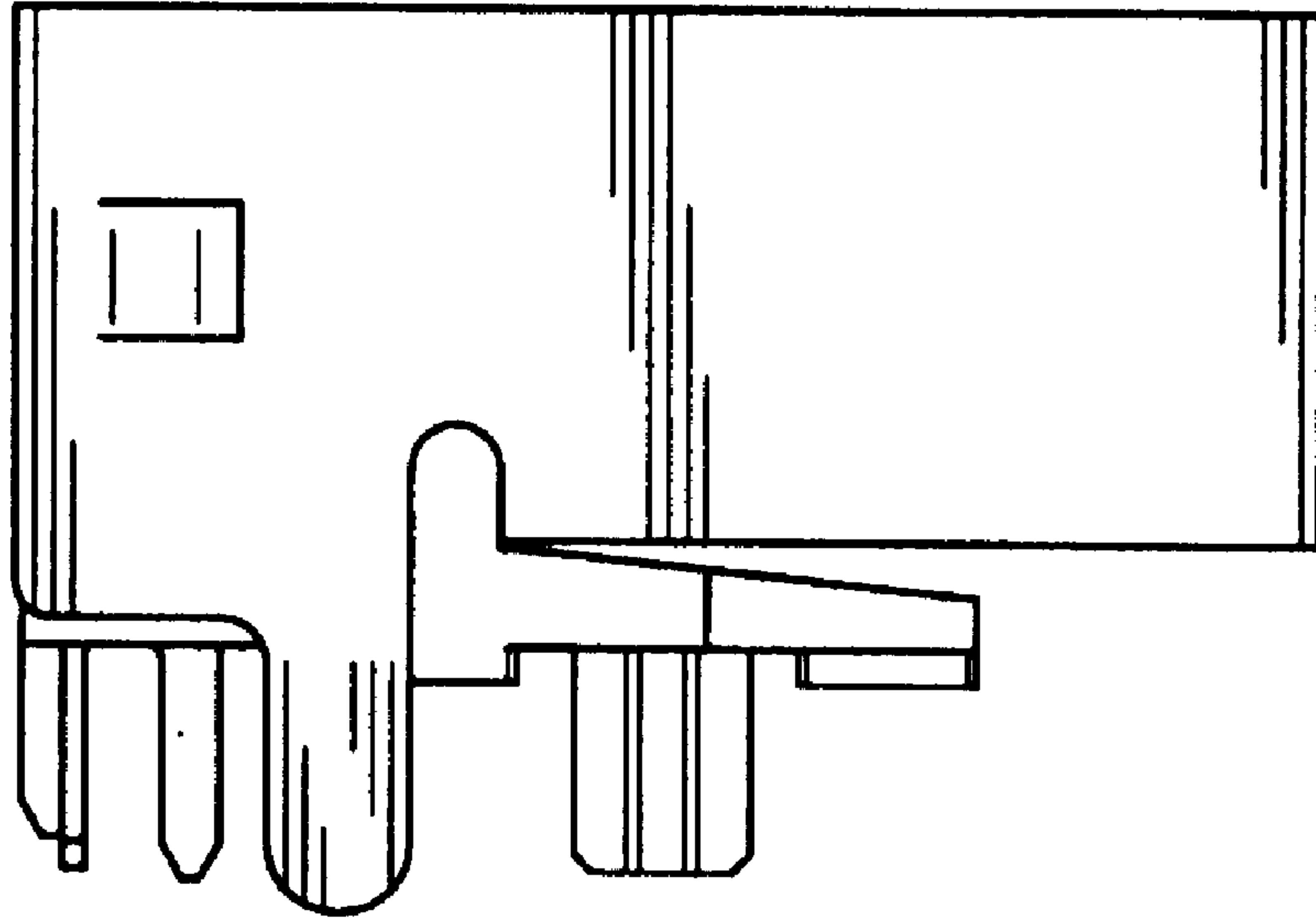


FIG. 4

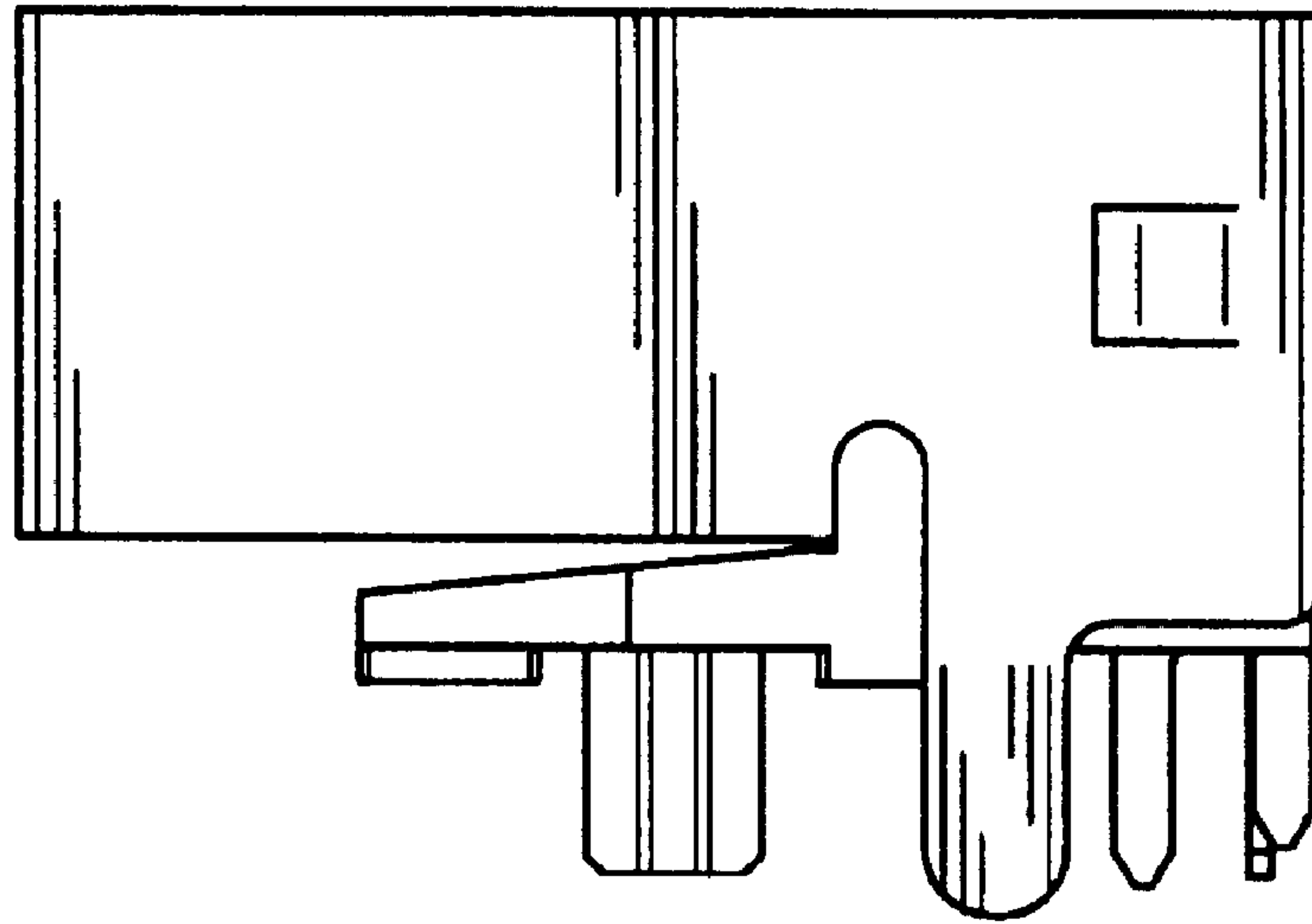


FIG. 5

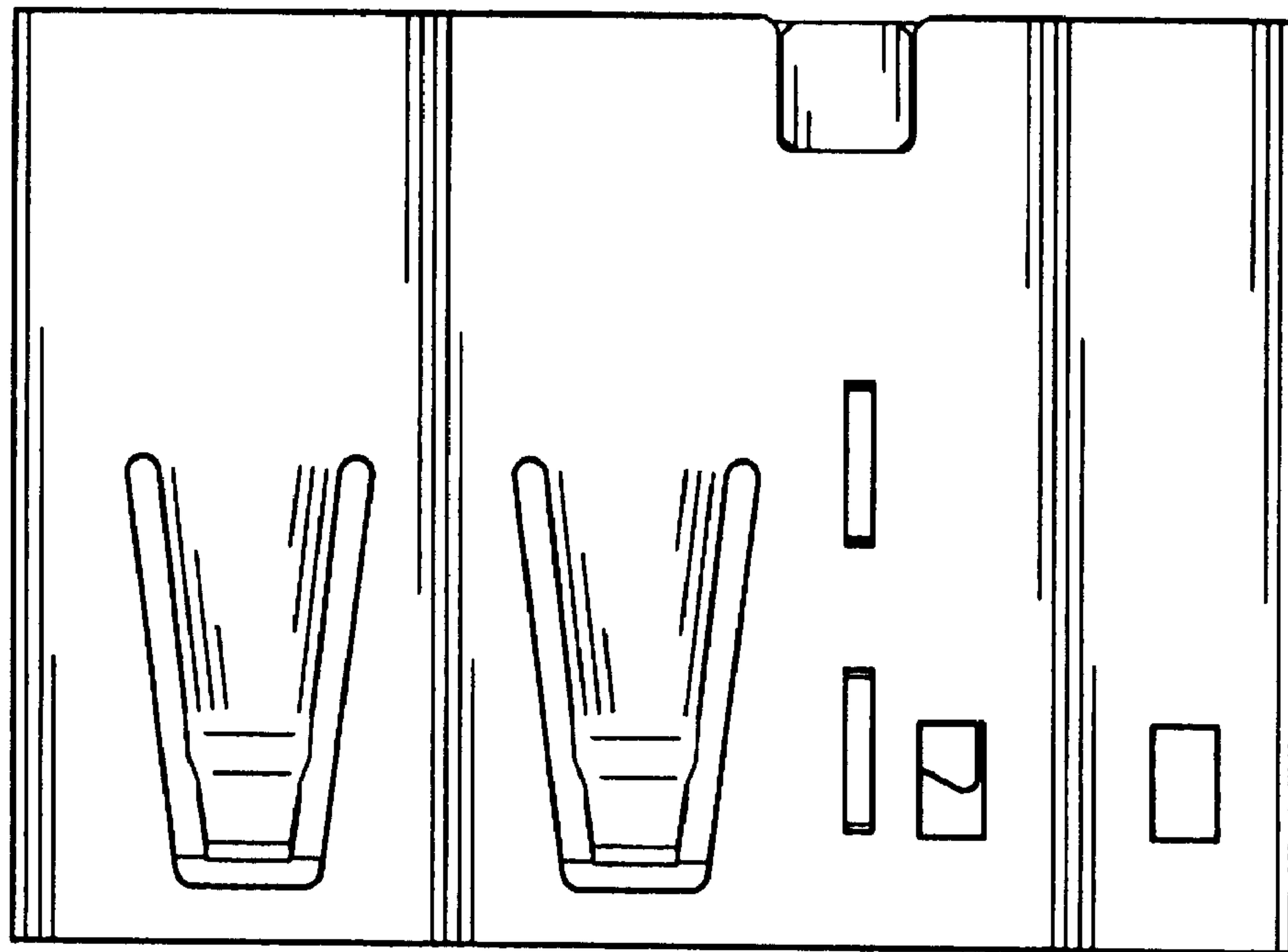


FIG. 6

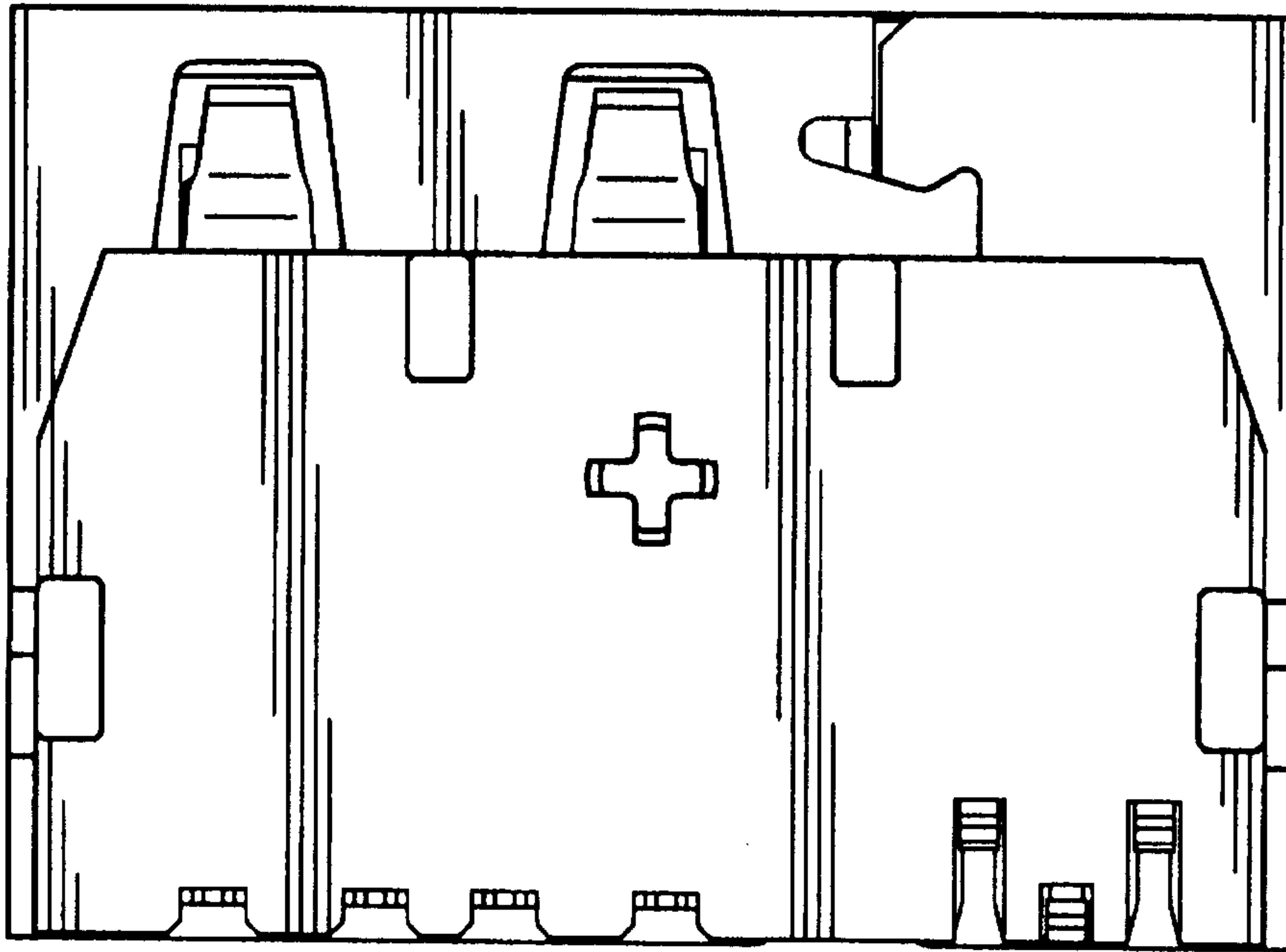


FIG. 7