

US00D538232S

(12) **United States Design Patent**
Wan et al.

(10) **Patent No.:** **US D538,232 S**

(45) **Date of Patent:** **** Mar. 13, 2007**

(54) **ELECTRICAL CONNECTOR**

(75) Inventors: **Feng Wan**, Kunshan (CN); **Jin-Kui Hu**, Kunshan (CN); **Guo-Hua Zhang**, Kunshan (CN)

(73) Assignee: **Hon Hai Precision Ind. Co., Ltd.**, Taipei Hsien (TW)

(**) Term: **14 Years**

(21) Appl. No.: **29/245,449**

(22) Filed: **Dec. 22, 2005**

(30) **Foreign Application Priority Data**

Sep. 8, 2005 (CN) 200530089149

(51) **LOC (8) Cl.** **13-03**

(52) **U.S. Cl.** **D13/147**

(58) **Field of Classification Search** D13/123,
D13/133, 146-147, 154, 184, 199; 439/79,
439/108, 278, 374, 377, 660, 607-610, 680,
439/682, 883, 891, 894

See application file for complete search history.

(56) **References Cited**

U.S. PATENT DOCUMENTS

D478,320 S * 8/2003 Suzuki et al. D13/147

D480,686 S * 10/2003 Takahashi D13/147
D482,002 S * 11/2003 Suzuki et al. D13/147
D482,331 S * 11/2003 Suzuki et al. D13/147
D503,682 S * 4/2005 Tanaka et al. D13/147
D509,190 S * 9/2005 Tsai D13/147
D510,909 S * 10/2005 Tsai D13/147
D522,970 S * 6/2006 Toyota et al. D13/147
2006/0035520 A1 * 2/2006 Huang et al. 439/607

* cited by examiner

Primary Examiner—Daniel Bui

(74) *Attorney, Agent, or Firm*—Wei Te Chung

(57) **CLAIM**

The ornamental design for an electrical connector, as shown.

DESCRIPTION

FIG. 1 is a perspective view of an electrical connector showing our new design;

FIG. 2 is a front elevational view of FIG. 1;

FIG. 3 is a rear elevational view of FIG. 1;

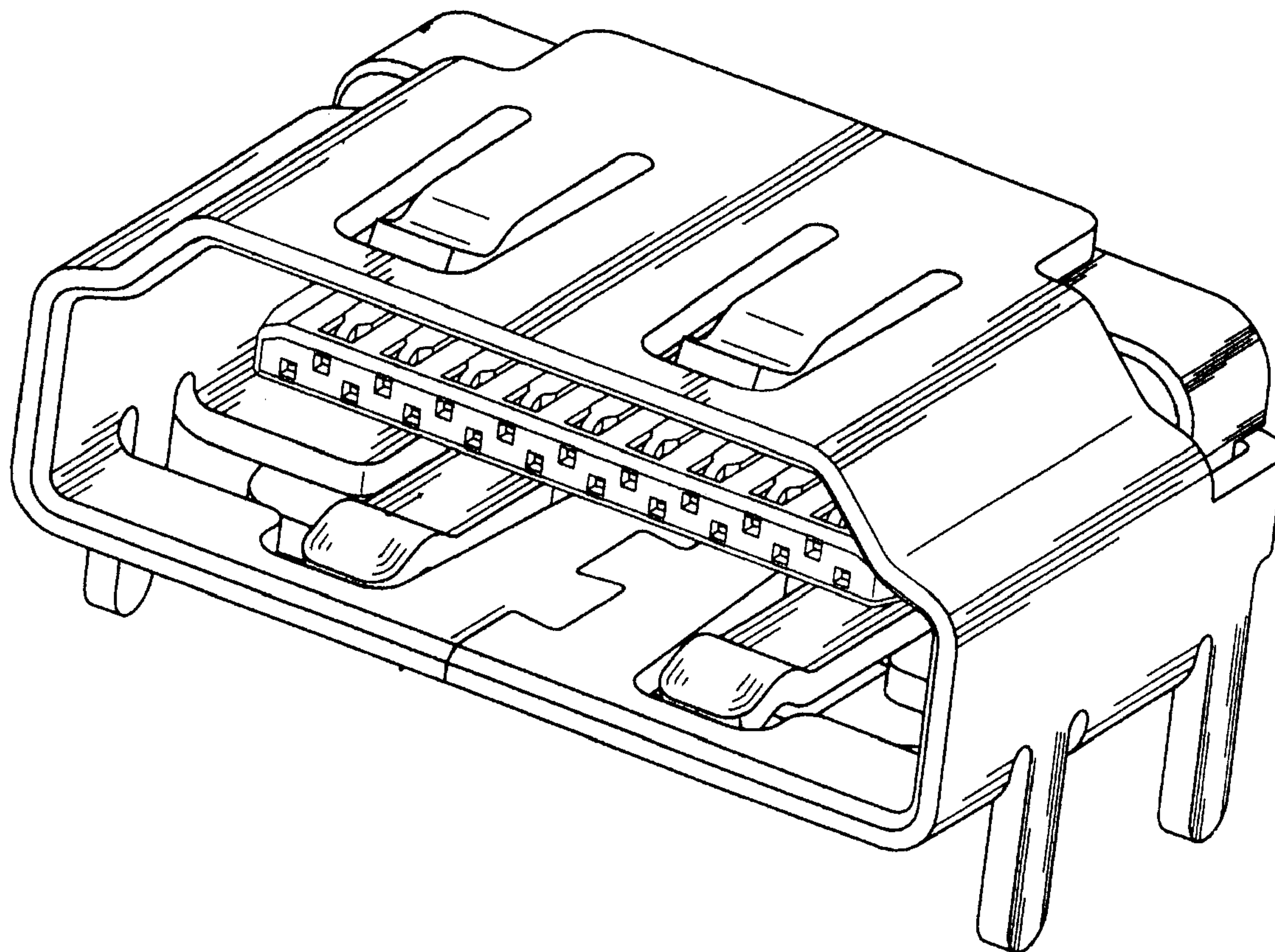
FIG. 4 is a left side elevational view of FIG. 1;

FIG. 5 is a right side elevational view of FIG. 1;

FIG. 6 is a top plan view of FIG. 1; and,

FIG. 7 is a bottom plan view of FIG. 1.

1 Claim, 7 Drawing Sheets



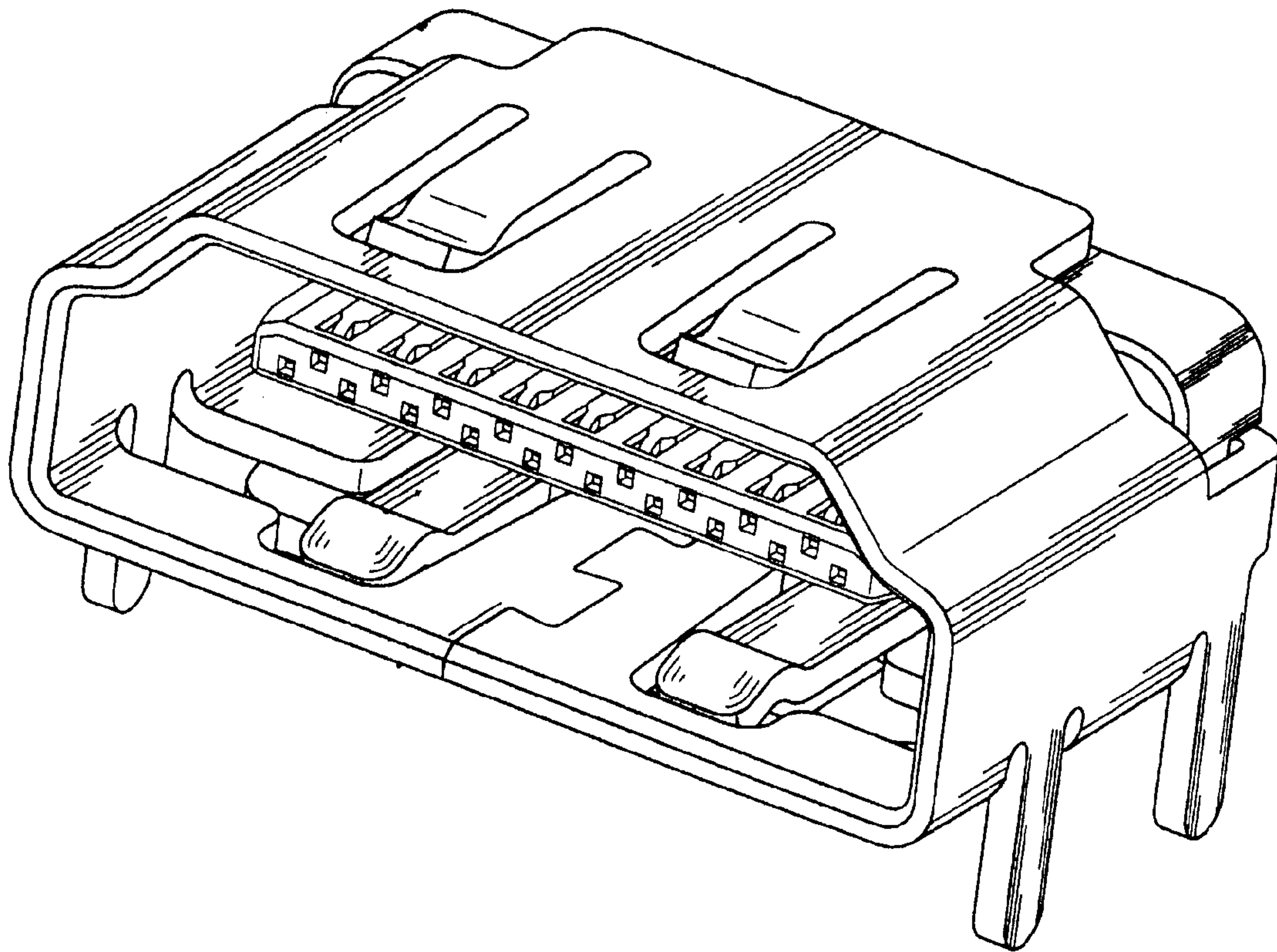


FIG. 1

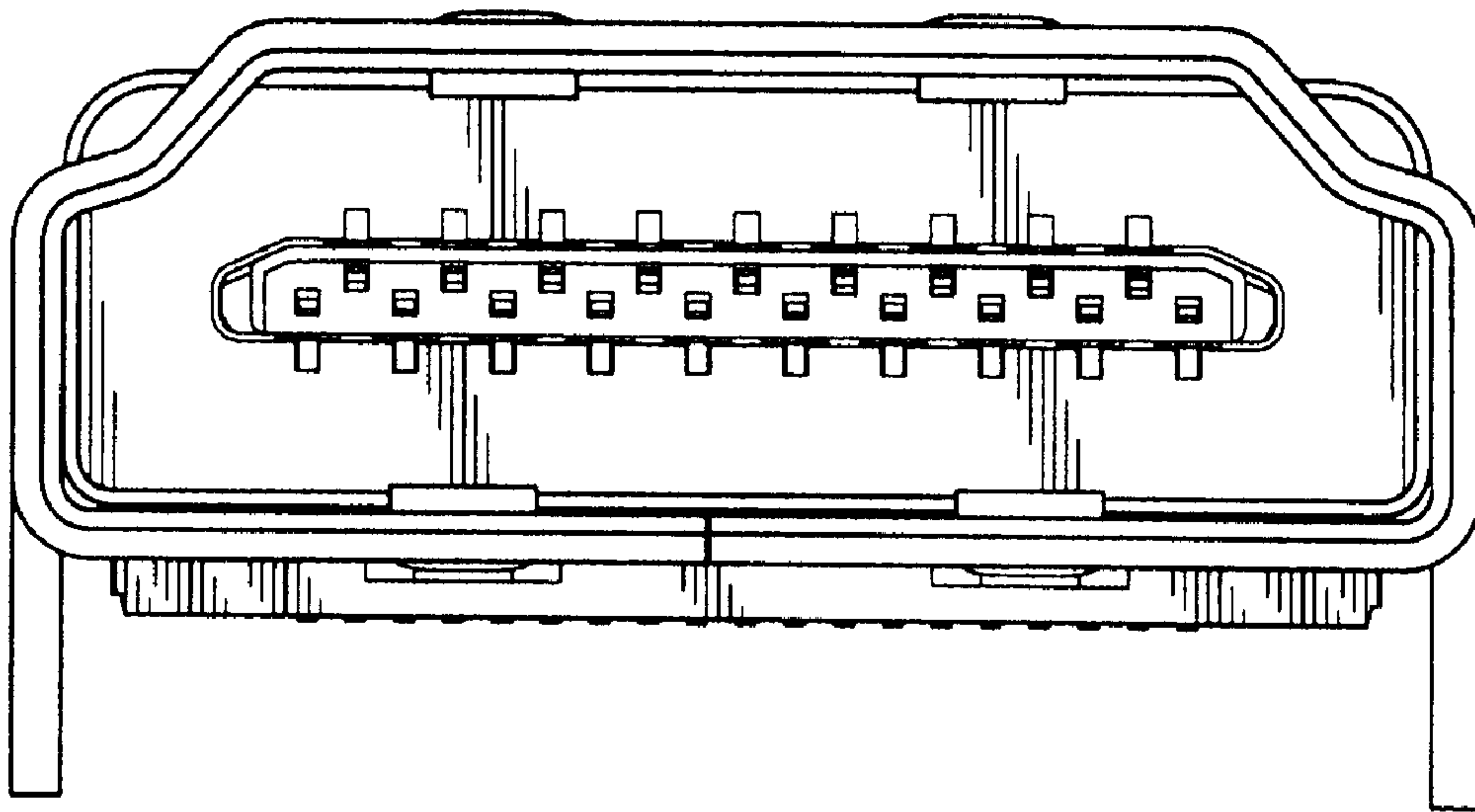


FIG. 2

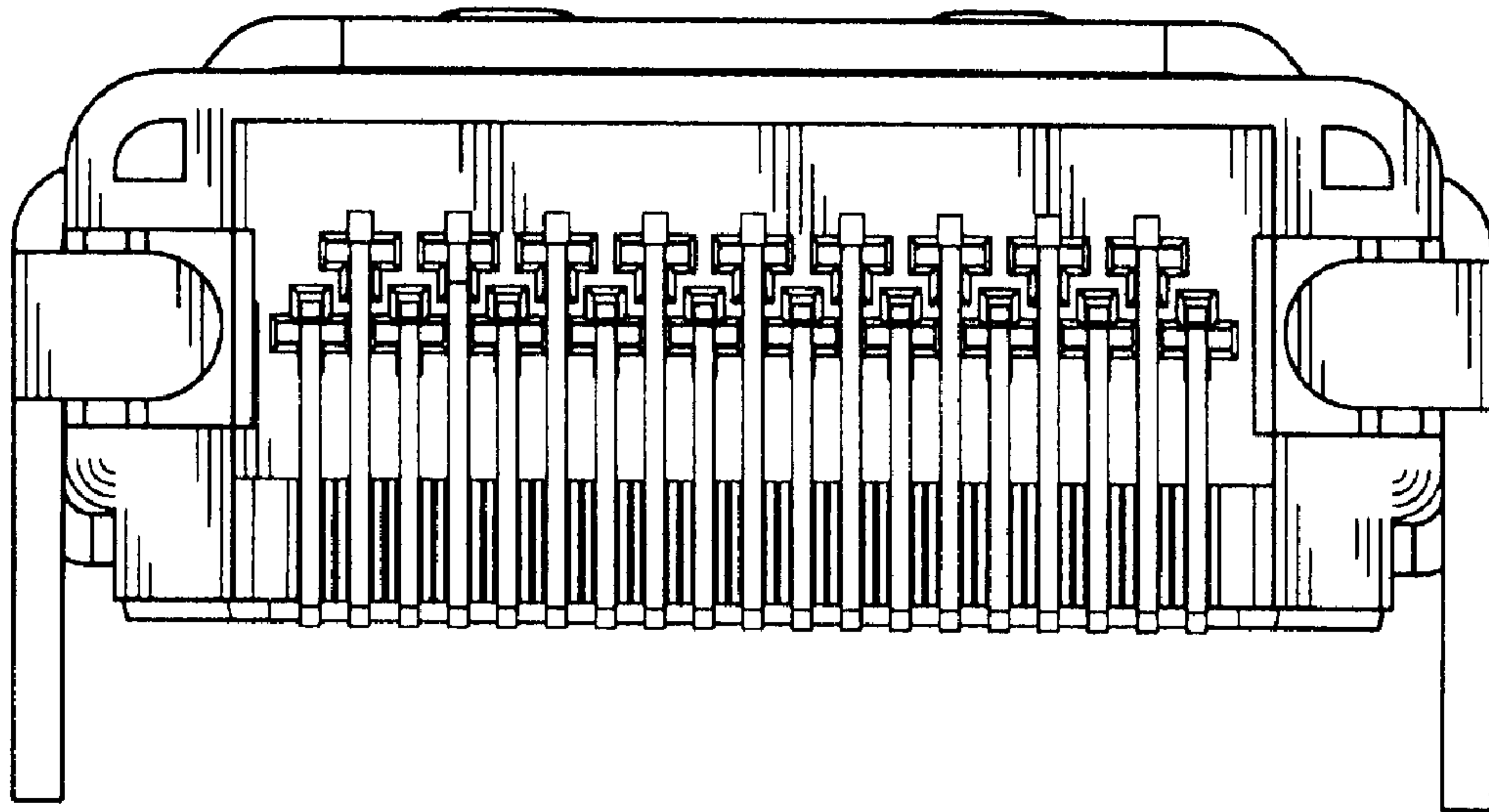


FIG. 3

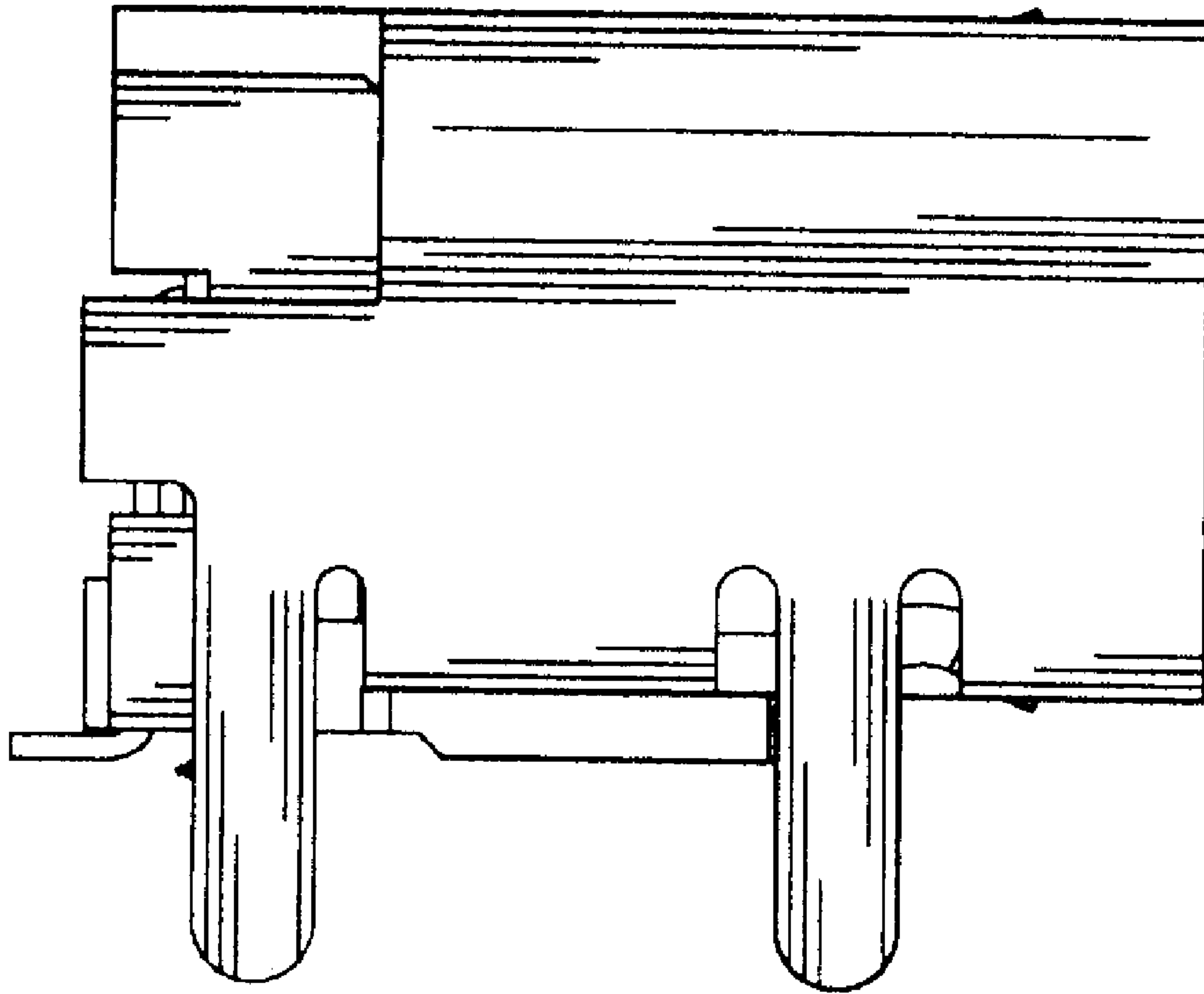


FIG. 4

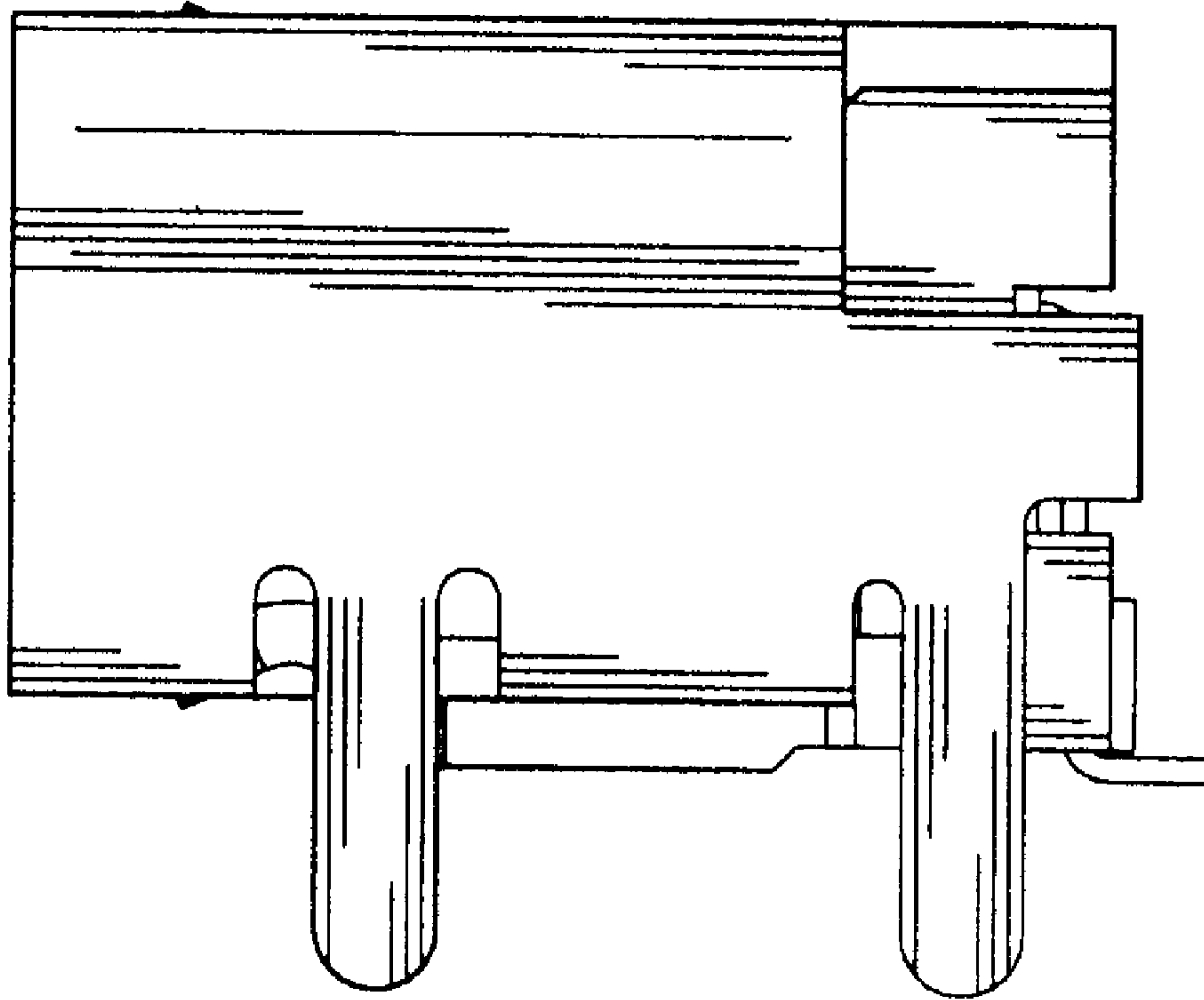


FIG. 5

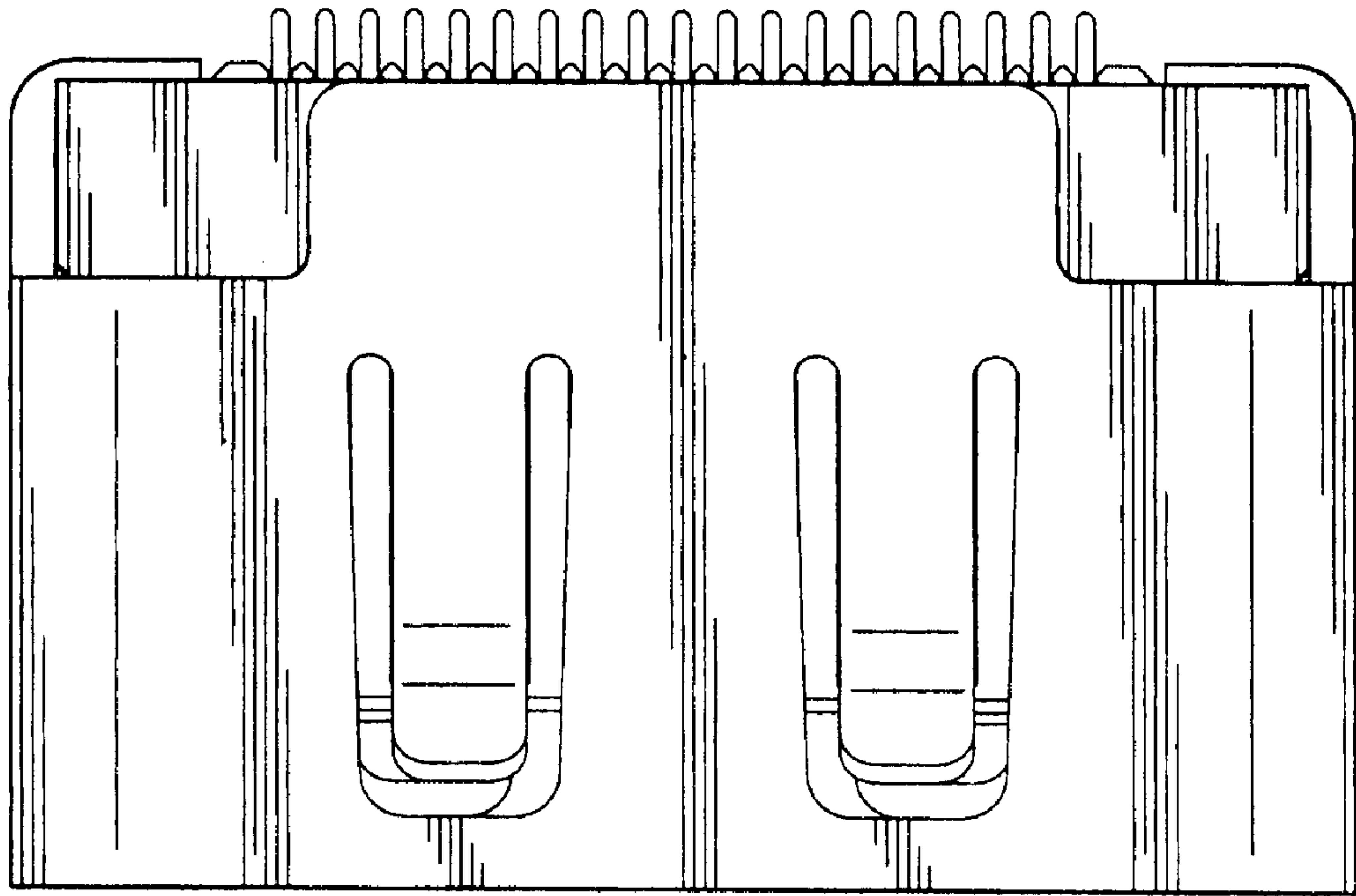


FIG. 6

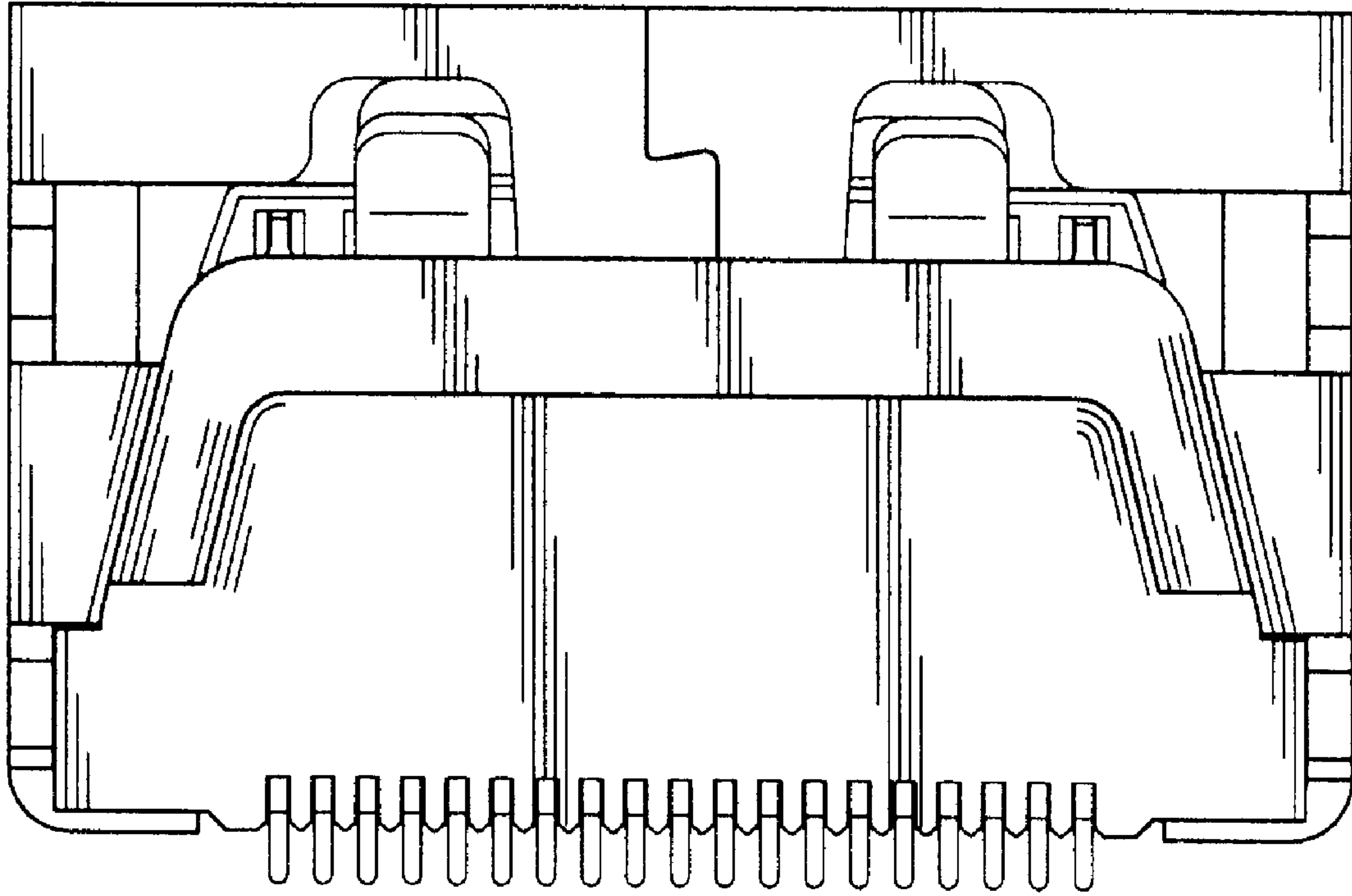


FIG. 7