



US00D538228S

(12) **United States Design Patent**
Wang et al.

(10) **Patent No.:** **US D538,228 S**

(45) **Date of Patent:** **** Mar. 13, 2007**

(54) **ELECTRICAL CONNECTOR**

(75) Inventors: **Yao-Ting Wang**, Tucheng (TW);
Mu-Tsun Tseng, Tucheng (TW)

(73) Assignee: **Cheng Uei Precision Industry Co., Ltd.**, Taipei Hsien (TW)

(**) Term: **14 Years**

(21) Appl. No.: **29/259,883**

(22) Filed: **May 18, 2006**

(30) **Foreign Application Priority Data**

Jan. 6, 2006 (TW) 95300090

(51) **LOC (8) Cl.** **13-03**

(52) **U.S. Cl.** **D13/146**

(58) **Field of Classification Search** D13/120,
D13/123, 133, 146-147, 154, 184; D14/256;
439/65, 295, 344, 395, 409, 500, 441, 607,
439/660, 676, 862

See application file for complete search history.

(56) **References Cited**

U.S. PATENT DOCUMENTS

5,876,237 A * 3/1999 Patel et al. 439/441

5,904,597 A * 5/1999 Doi et al. 439/660
D419,133 S * 1/2000 Yoshida et al. D13/120
6,113,440 A * 9/2000 Fijten et al. 439/862
6,361,359 B1 * 3/2002 Du et al. 439/500
D455,126 S * 4/2002 Wu D13/147
D486,448 S * 2/2004 Watanabe et al. D13/120
D500,735 S * 1/2005 Shirae et al. D13/133
6,951,488 B2 * 10/2005 Hsieh 439/660
D529,443 S * 10/2006 Chien D13/147

* cited by examiner

Primary Examiner—Daniel Bui

(74) *Attorney, Agent, or Firm*—Rosenberg, Klein & Lee

(57) **CLAIM**

The ornamental design for an electrical connector, as shown and described.

DESCRIPTION

FIG. 1 is a perspective view of an electrical connector showing our new design;

FIG. 2 is a front elevational view thereof;

FIG. 3 is a rear elevational view thereof;

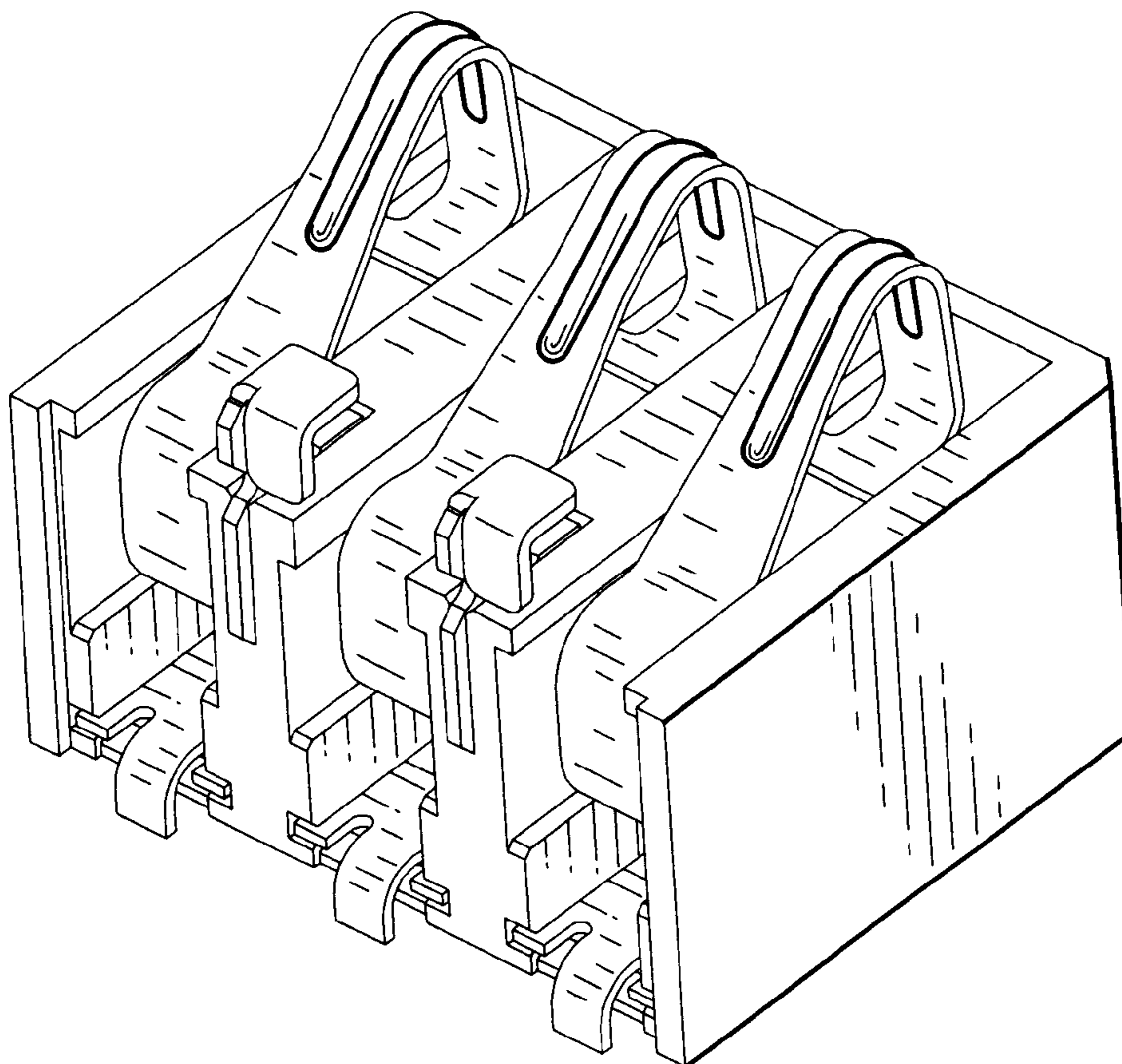
FIG. 4 is a left side elevational view thereof;

FIG. 5 is a right side elevational view thereof;

FIG. 6 is a top plan view thereof; and,

FIG. 7 is a bottom plan view thereof.

1 Claim, 7 Drawing Sheets



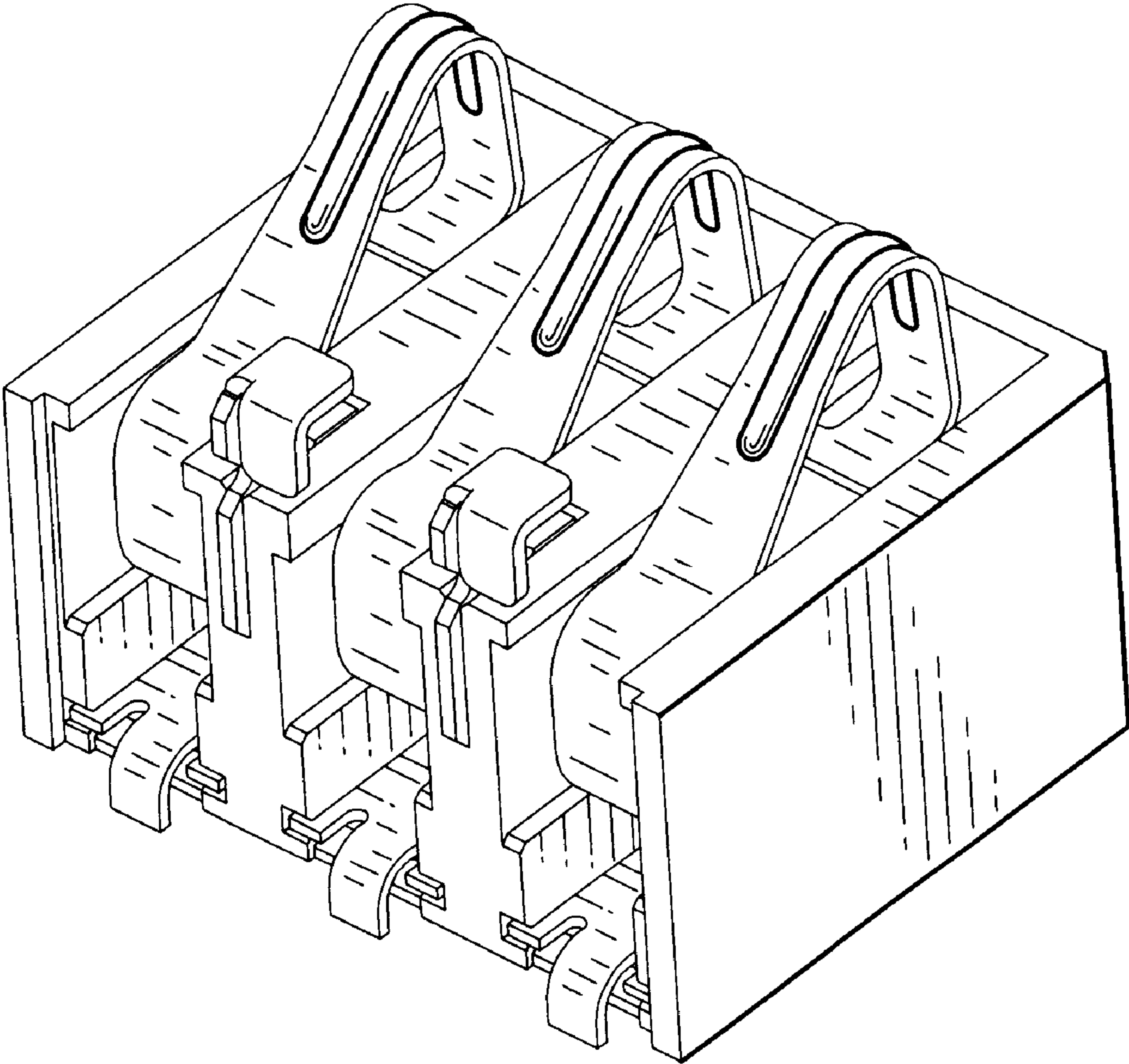


FIG. 1

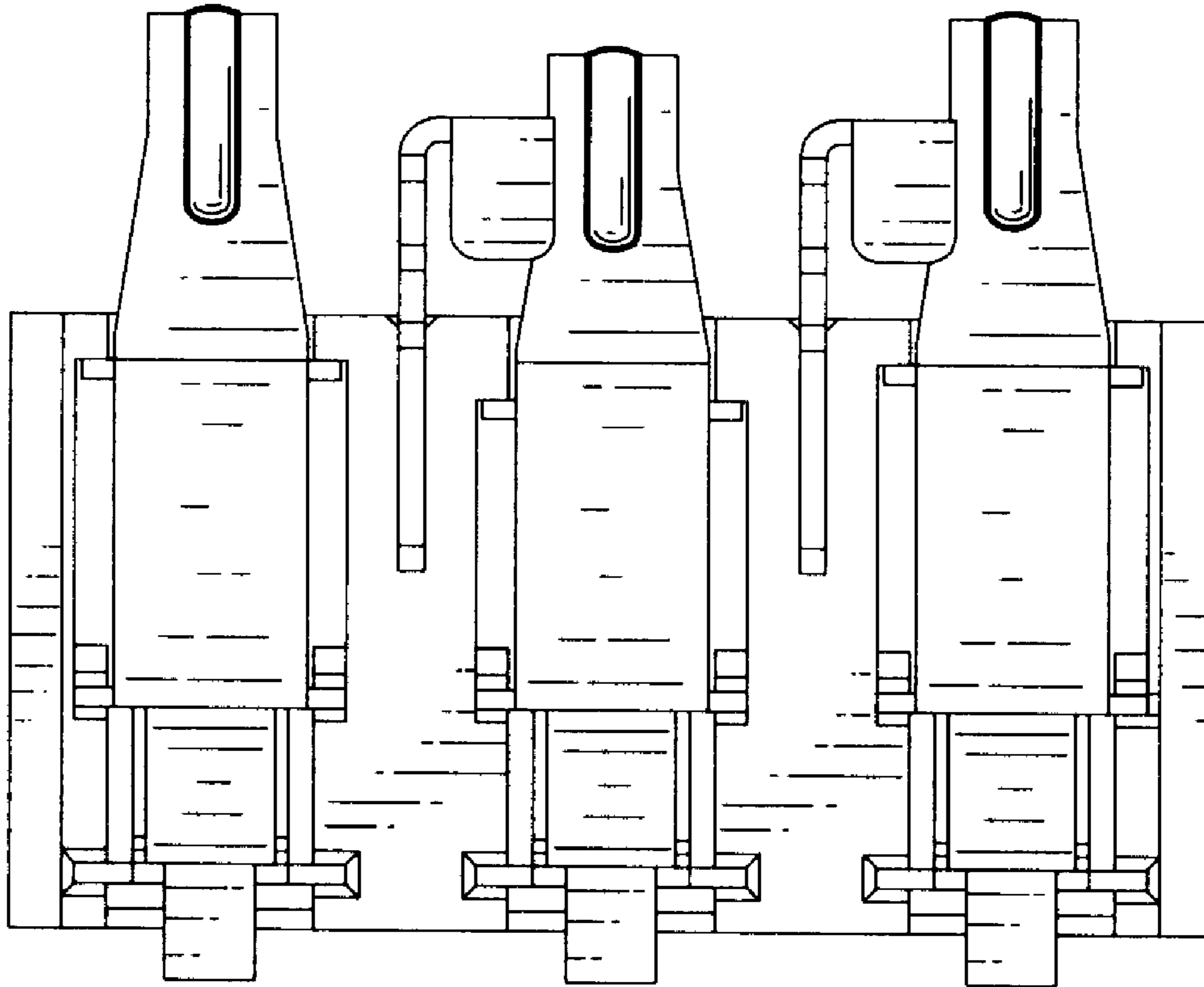


FIG. 2

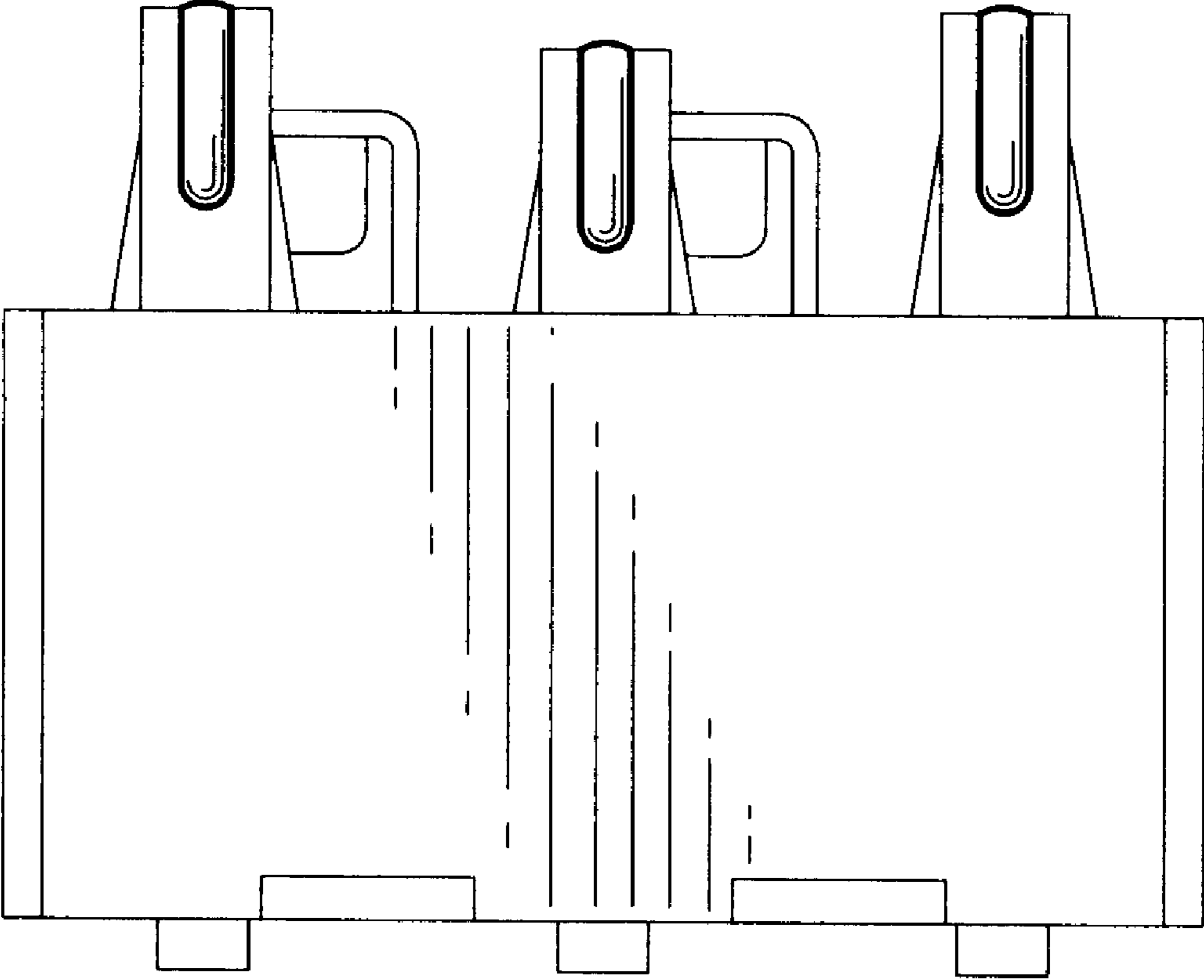


FIG. 3

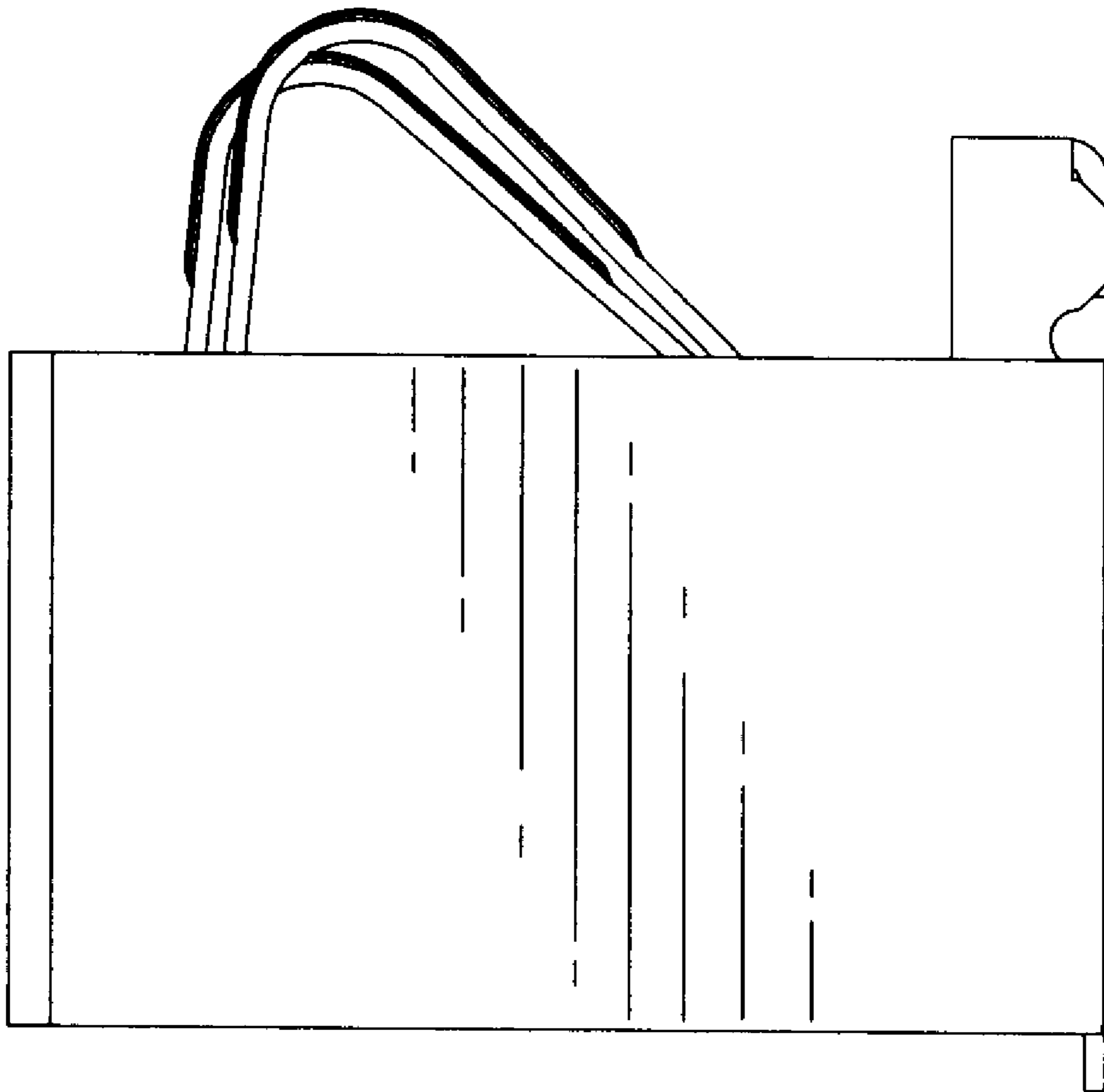


FIG. 4

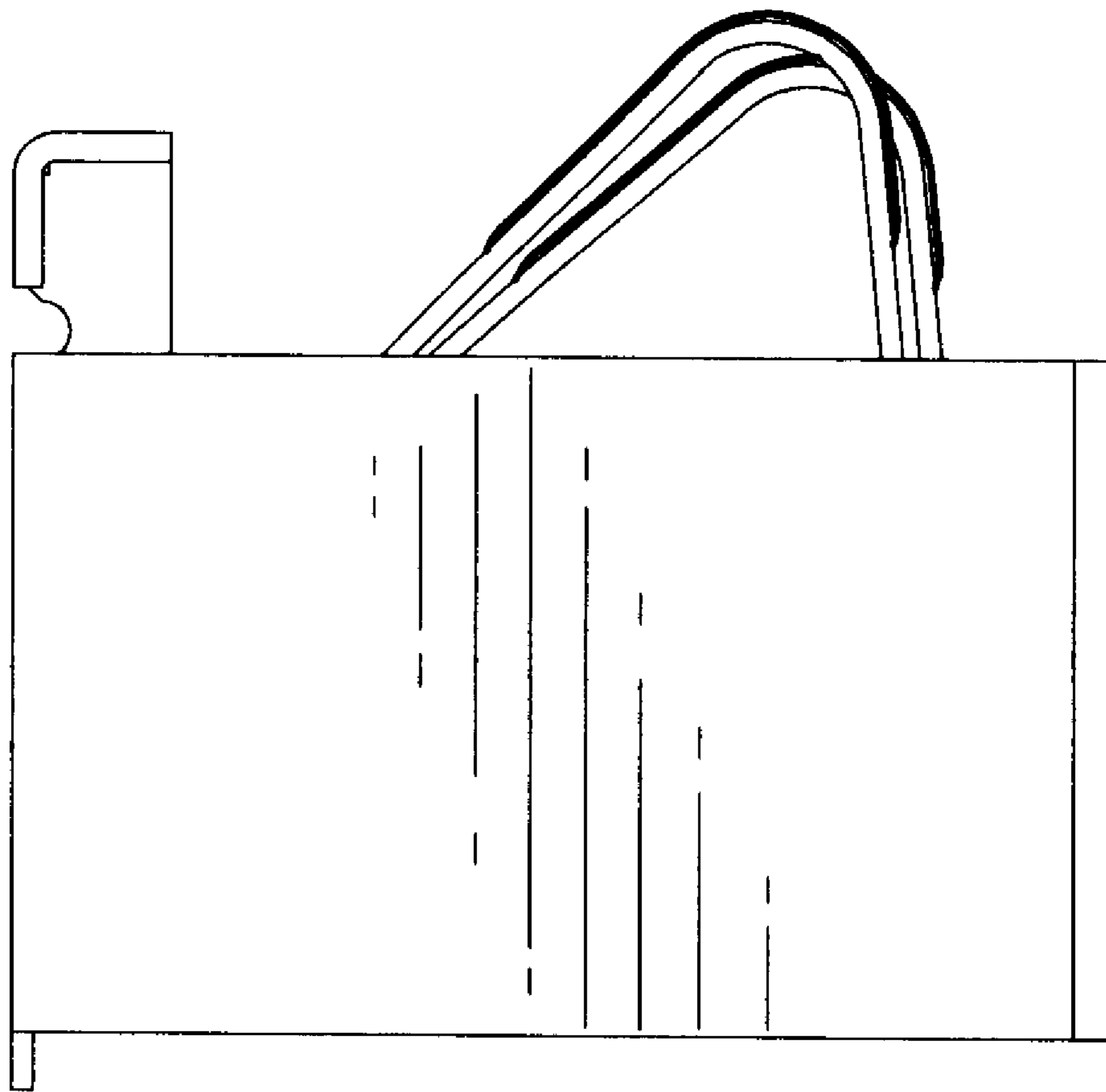


FIG. 5

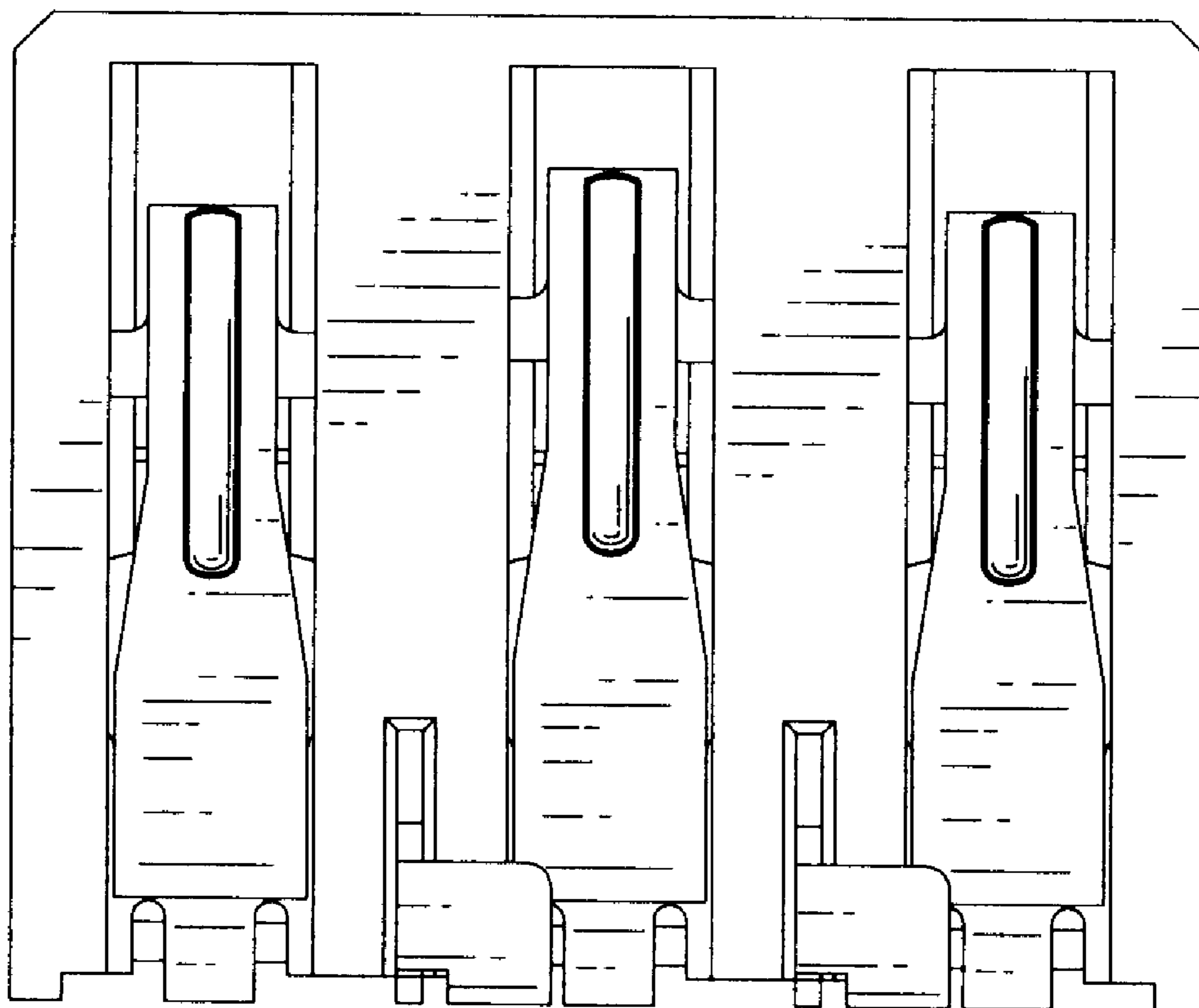


FIG. 6

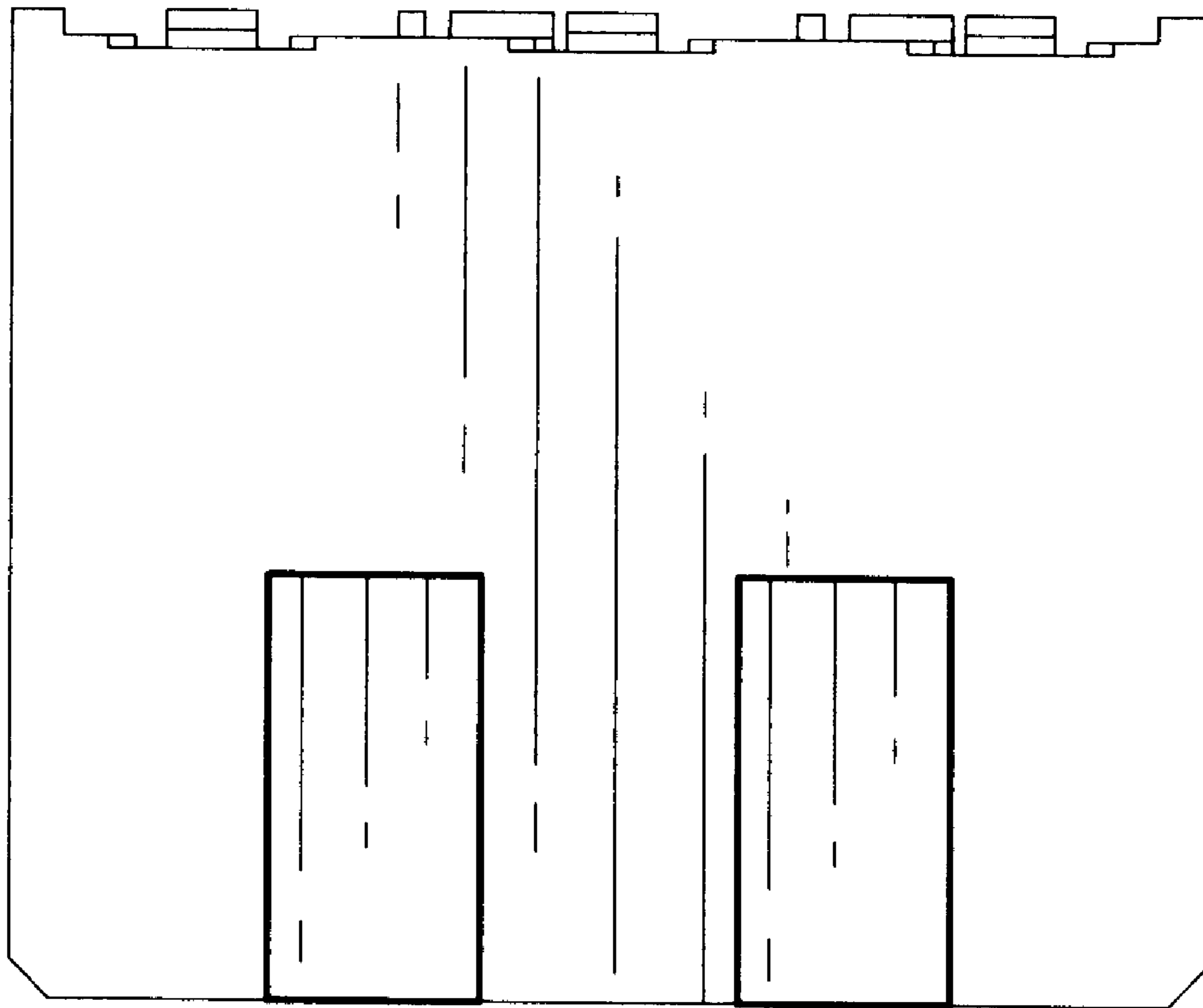


FIG. 7