



US00D538227S

(12) **United States Design Patent**
Holland

(10) **Patent No.:** **US D538,227 S**
(45) **Date of Patent:** **** Mar. 13, 2007**

(54) **PLUG ADAPTER**

DESCRIPTION

(76) Inventor: **Bryan Holland**, 16331Gothard St.,
Huntington Beach, CA (US) 92647
(**) Term: **14 Years**
(21) Appl. No.: **29/252,914**
(22) Filed: **Jan. 27, 2006**
(51) **LOC (8) Cl.** **13-03**
(52) **U.S. Cl.** **D13/138.1**
(58) **Field of Classification Search** D13/108,
D13/110, 137.1-4, 138.1, 138.2, 133, 154;
439/171-172, 140, 160, 164, 135-138, 446,
439/131, 606, 105, 106, 11, 13, 31; 337/197-198;
174/53-58
See application file for complete search history.

(56) **References Cited**

U.S. PATENT DOCUMENTS

D308,962	S	*	7/1990	Duk	D13/138.1
D474,744	S	*	5/2003	Wu	D13/137.1
D478,310	S	*	8/2003	Andre et al.	D13/110
D478,546	S	*	8/2003	Andre et al.	D13/110
D491,142	S	*	6/2004	Stekelenburg	D13/138.1
6,793,509	B2	*	9/2004	Chen	439/136
D498,462	S	*	11/2004	Andre et al.	D13/146
7,001,196	B1	*	2/2006	Huang	439/320
D519,922	S	*	5/2006	Andre et al.	D13/110
2002/0090848	A1	*	7/2002	Yu	439/131
2002/0137387	A1	*	9/2002	Lin	439/446

* cited by examiner

Primary Examiner—Alan P. Douglas
Assistant Examiner—Rosemary K. Tarcza
(74) *Attorney, Agent, or Firm*—Darby & Darby

(57) **CLAIM**

The ornamental design for a plug adapter, as shown and described.

FIG. 1 is a top front perspective view of a plug adapter in accordance with the present design, shown in its normal environment;
FIG. 2 is a top front enlarged perspective view of the plug adapter shown in FIG. 1;
FIG. 3 is a front elevation of the plug adapter shown in FIG. 1;
FIG. 4 is a right side elevation of the plug adapter shown in FIG. 1;
FIG. 5 is a rear elevation of the plug adapter shown in FIG. 1;
FIG. 6 is a left side elevation of the plug shown in FIG. 1;
FIG. 7 is a top plan view of the plug adapter shown in FIG. 1;
FIG. 8 is a bottom plan view of the plug adapter shown in FIG. 1;
FIG. 9 is a top front perspective view of a second embodiment of the plug adapter in accordance with the present design, shown in its normal environment;
FIG. 10 is a top front enlarged perspective view of the plug adapter shown in FIG. 9;
FIG. 11 is a front elevation of the plug adapter shown in FIG. 9;
FIG. 12 is a right side elevation of the plug adapter shown in FIG. 9;
FIG. 13 is a rear elevation of the plug adapter shown in FIG. 9;
FIG. 14 is a top plan view of the plug adapter shown in FIG. 9;
FIG. 15 is a bottom plan view of the plug adapter shown in FIG. 9; and,
FIG. 16 is a left side elevation of the plug adapter shown in FIG. 9.
The broken lines showing the power adapter in FIGS. 1 and 9 are included for the purpose of illustrating environmental structure only and form no part of the claimed design.

1 Claim, 6 Drawing Sheets

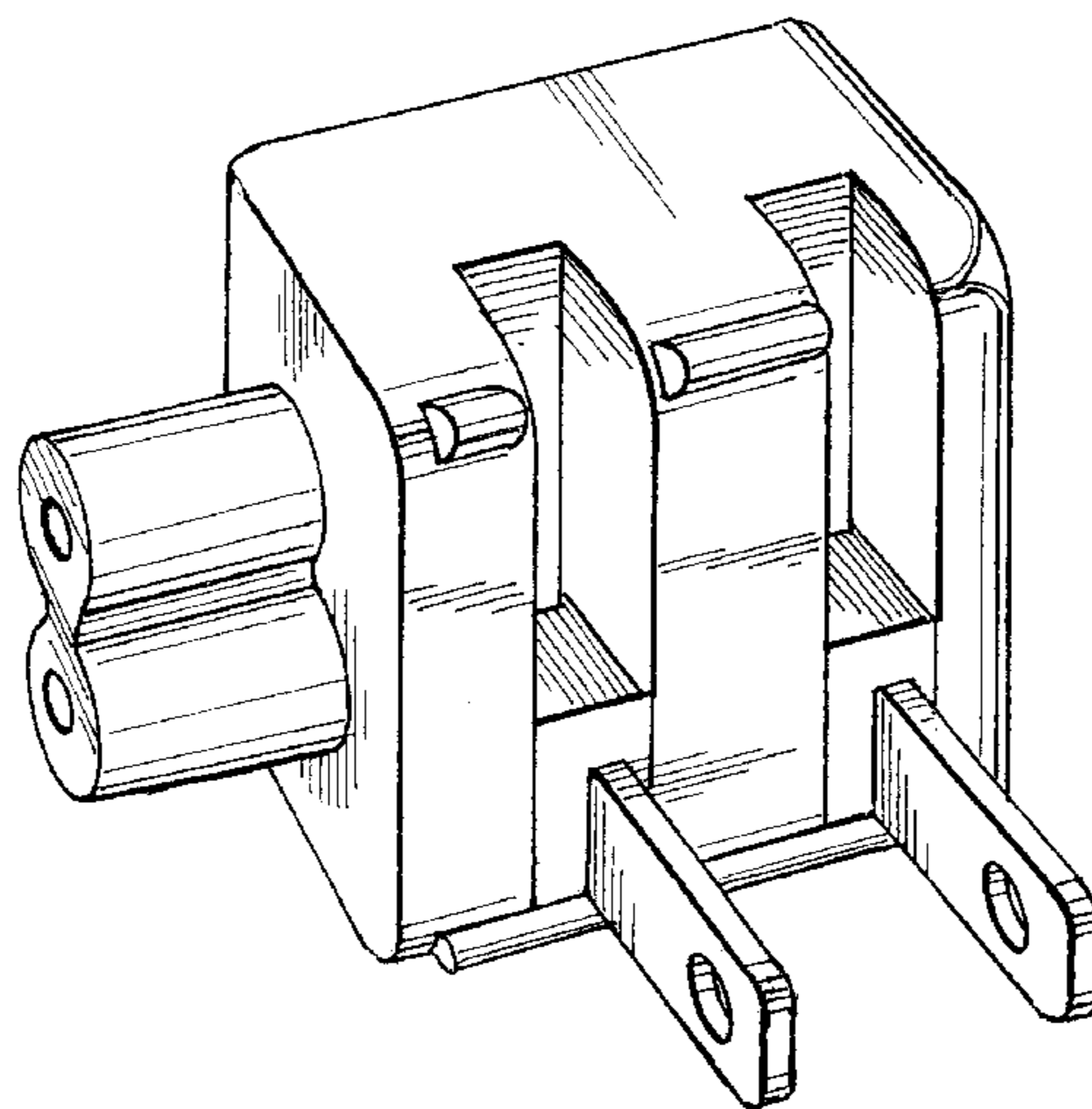


FIG. 1

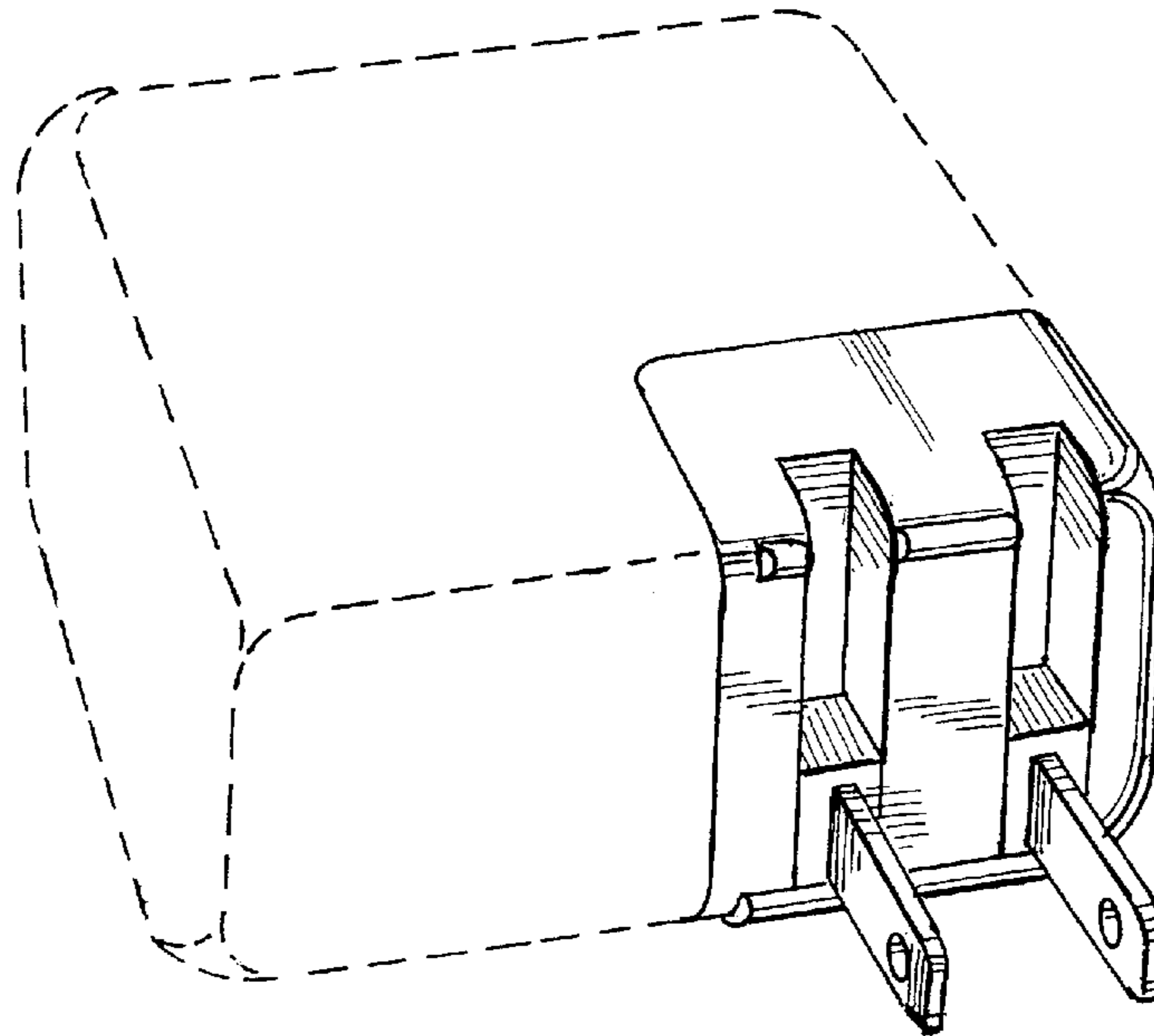
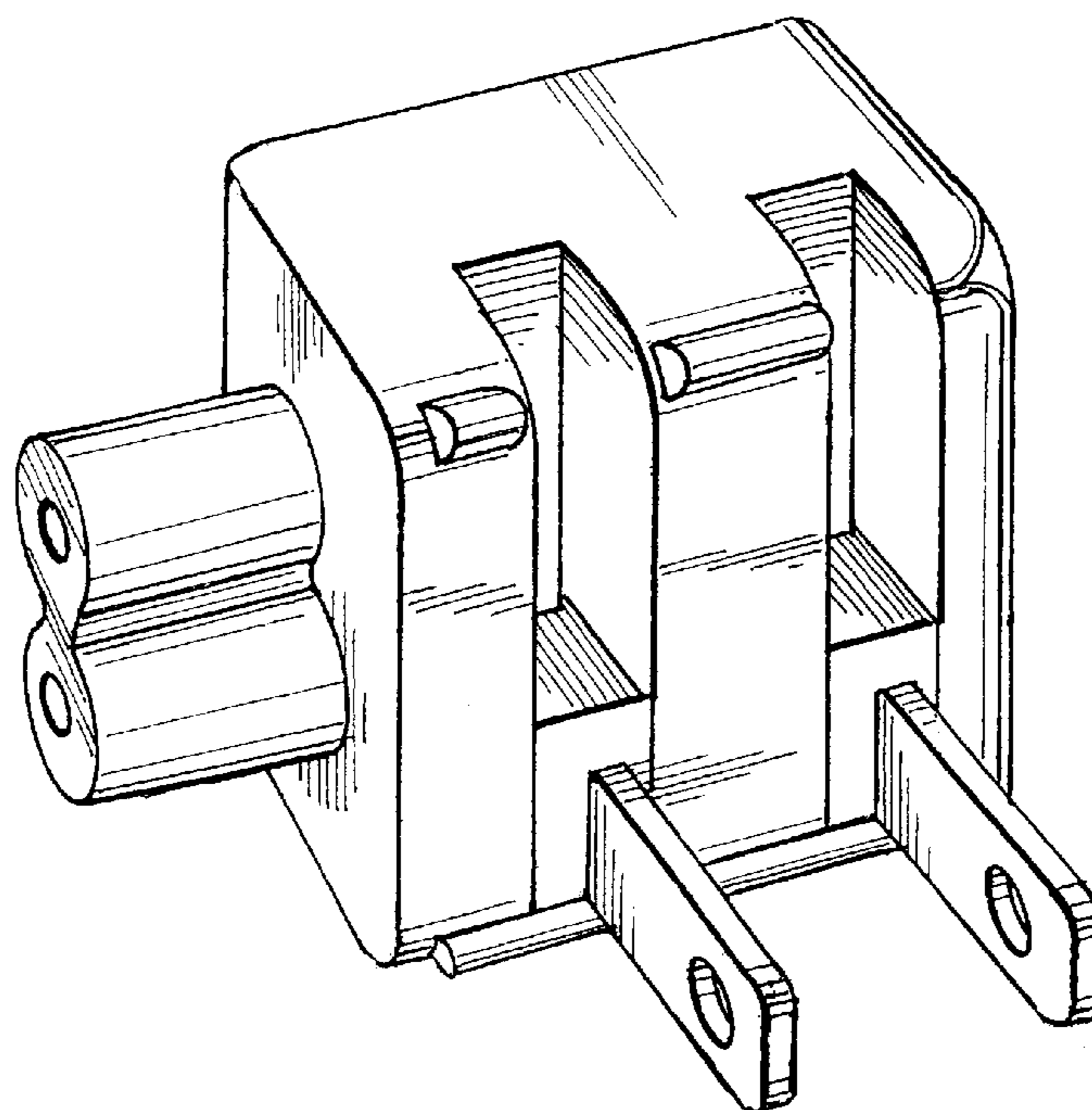


FIG. 2



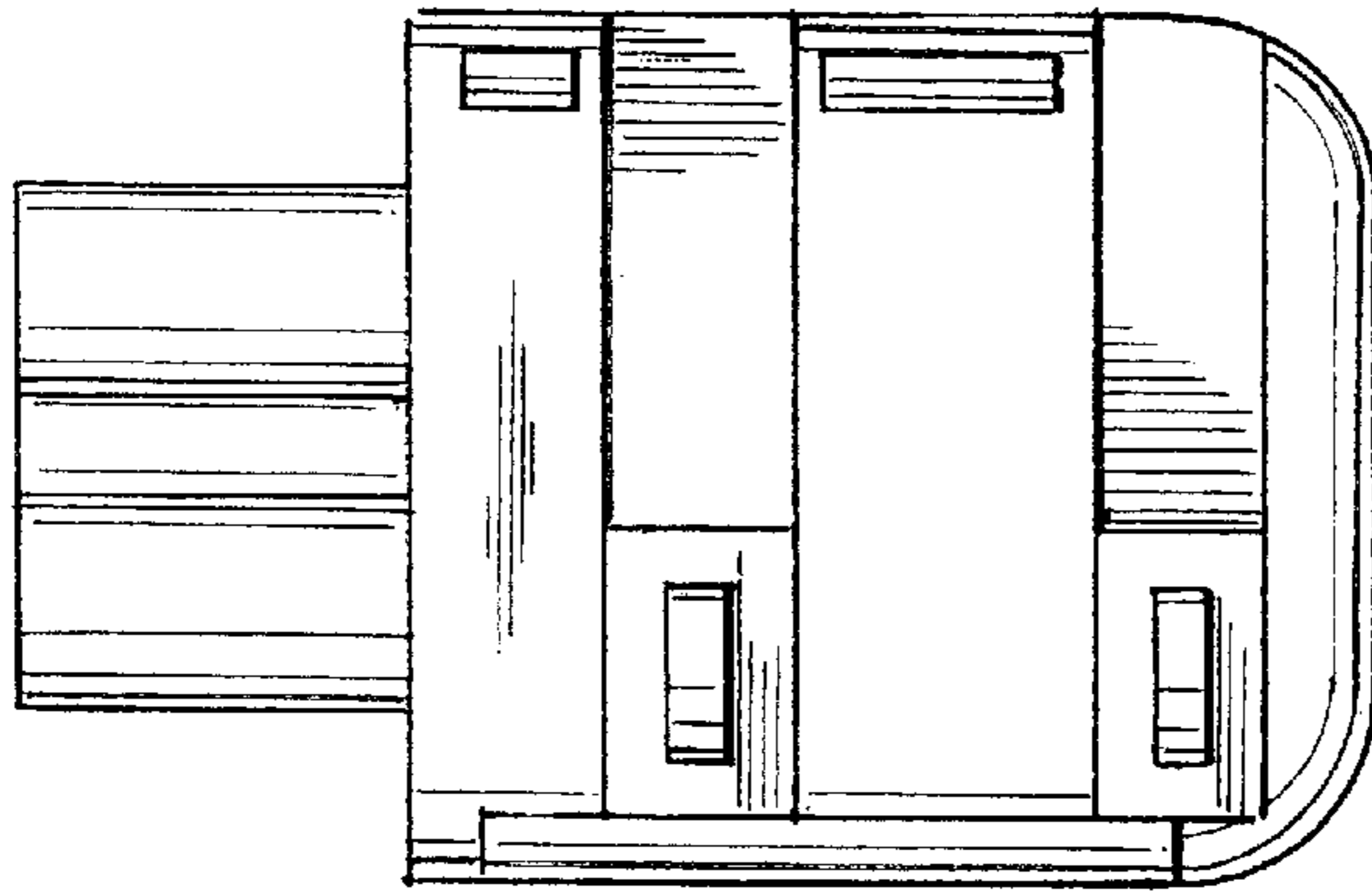


FIG. 3

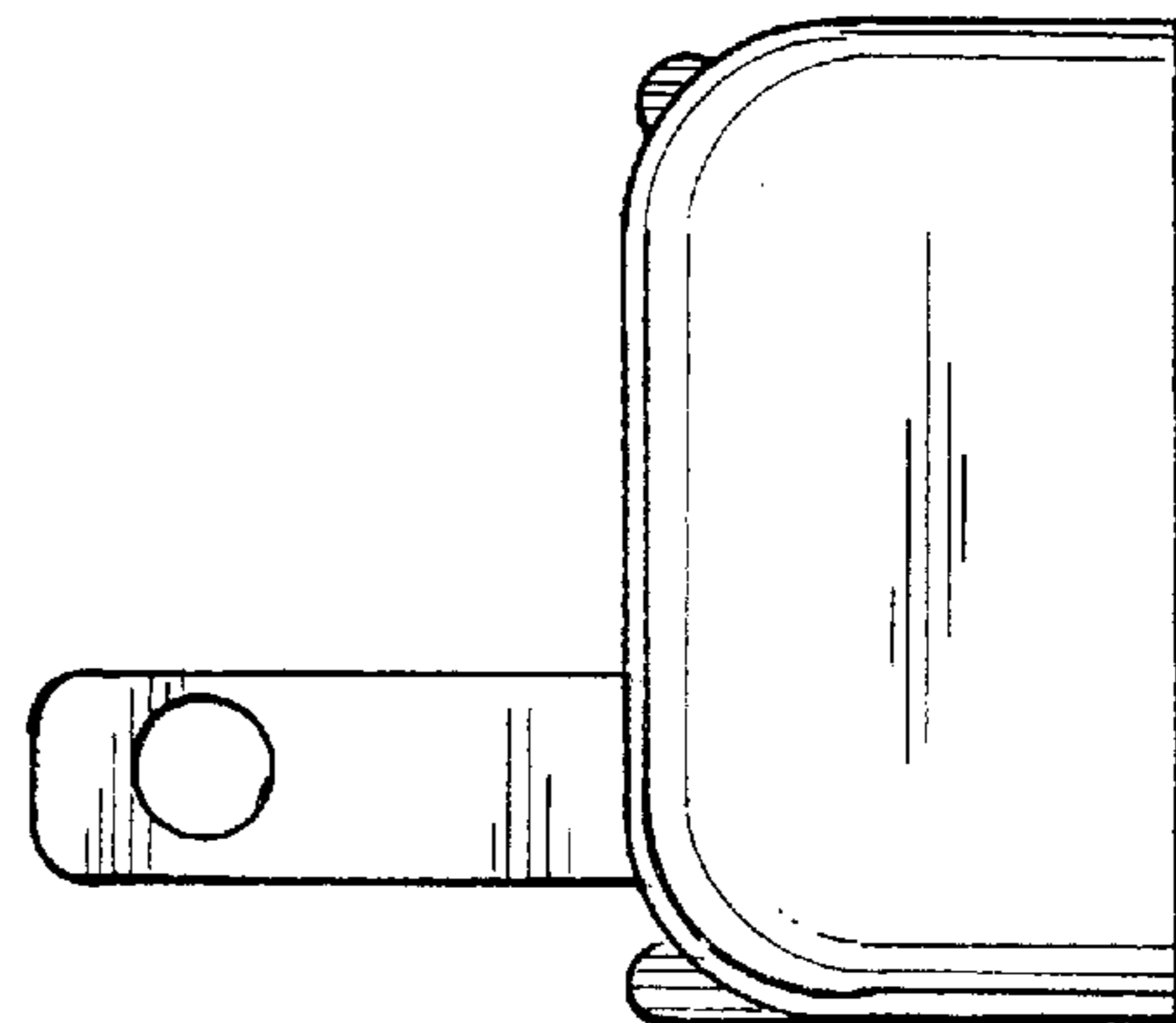


FIG. 4

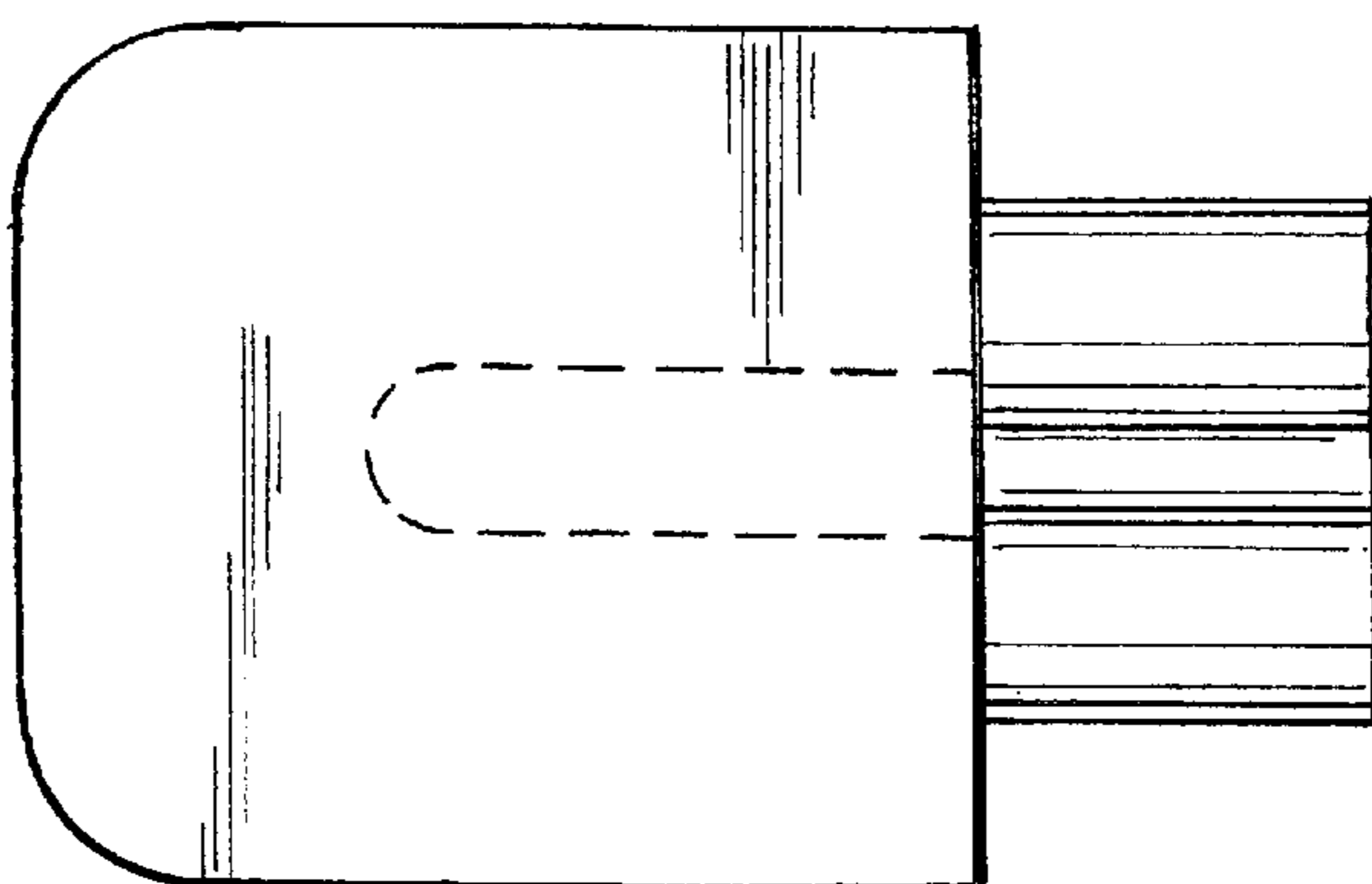


FIG. 5

FIG. 6

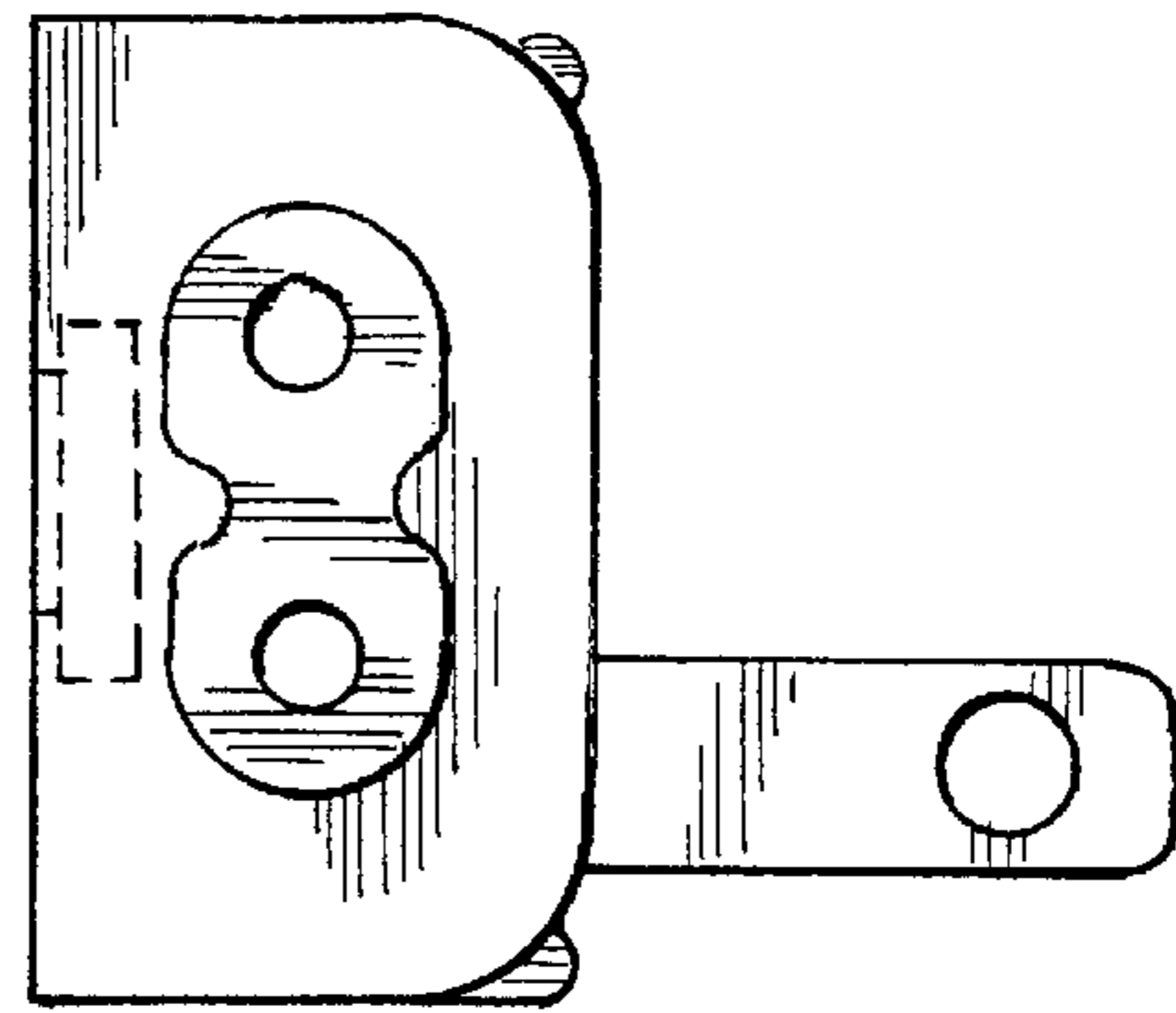


FIG. 7

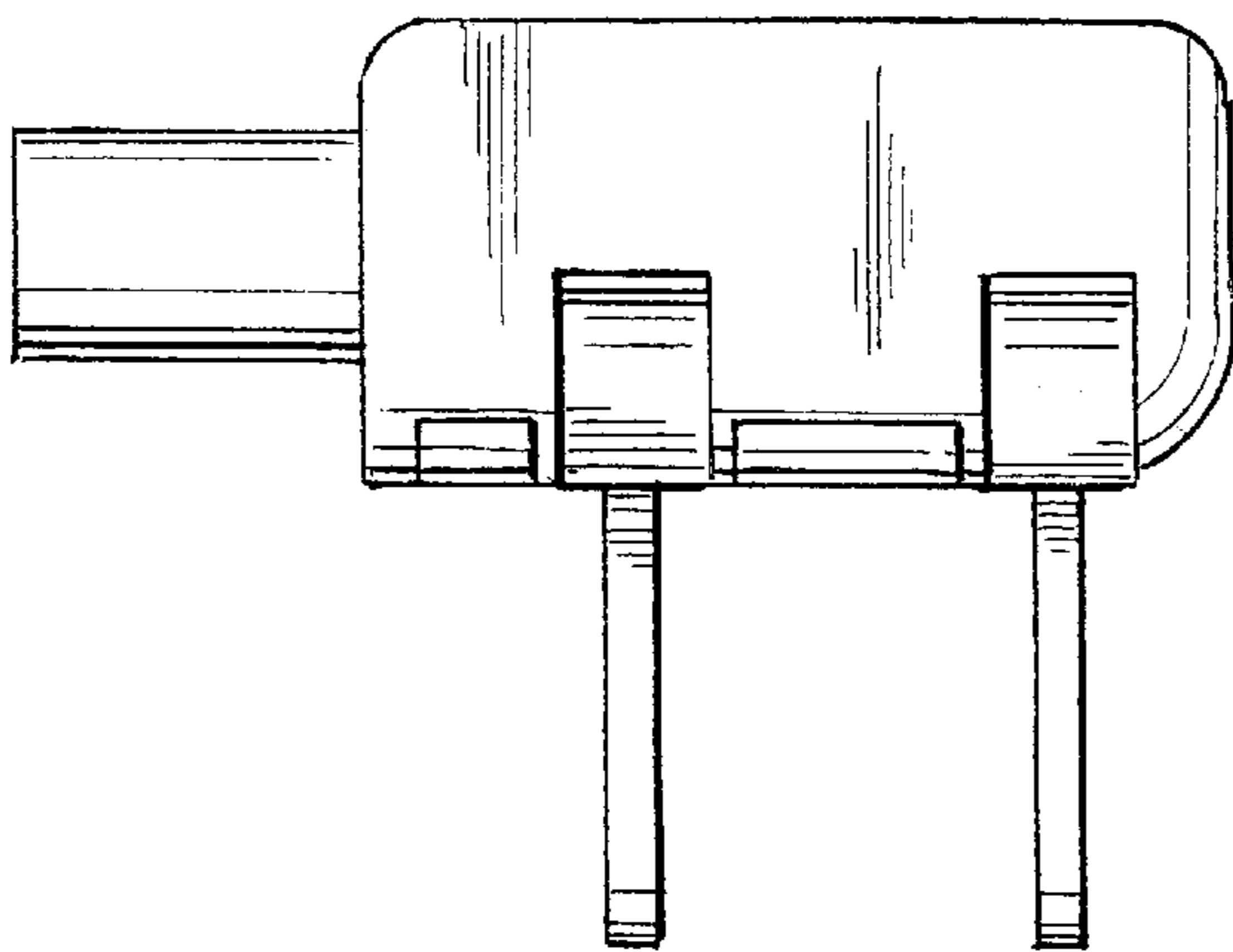


FIG. 8

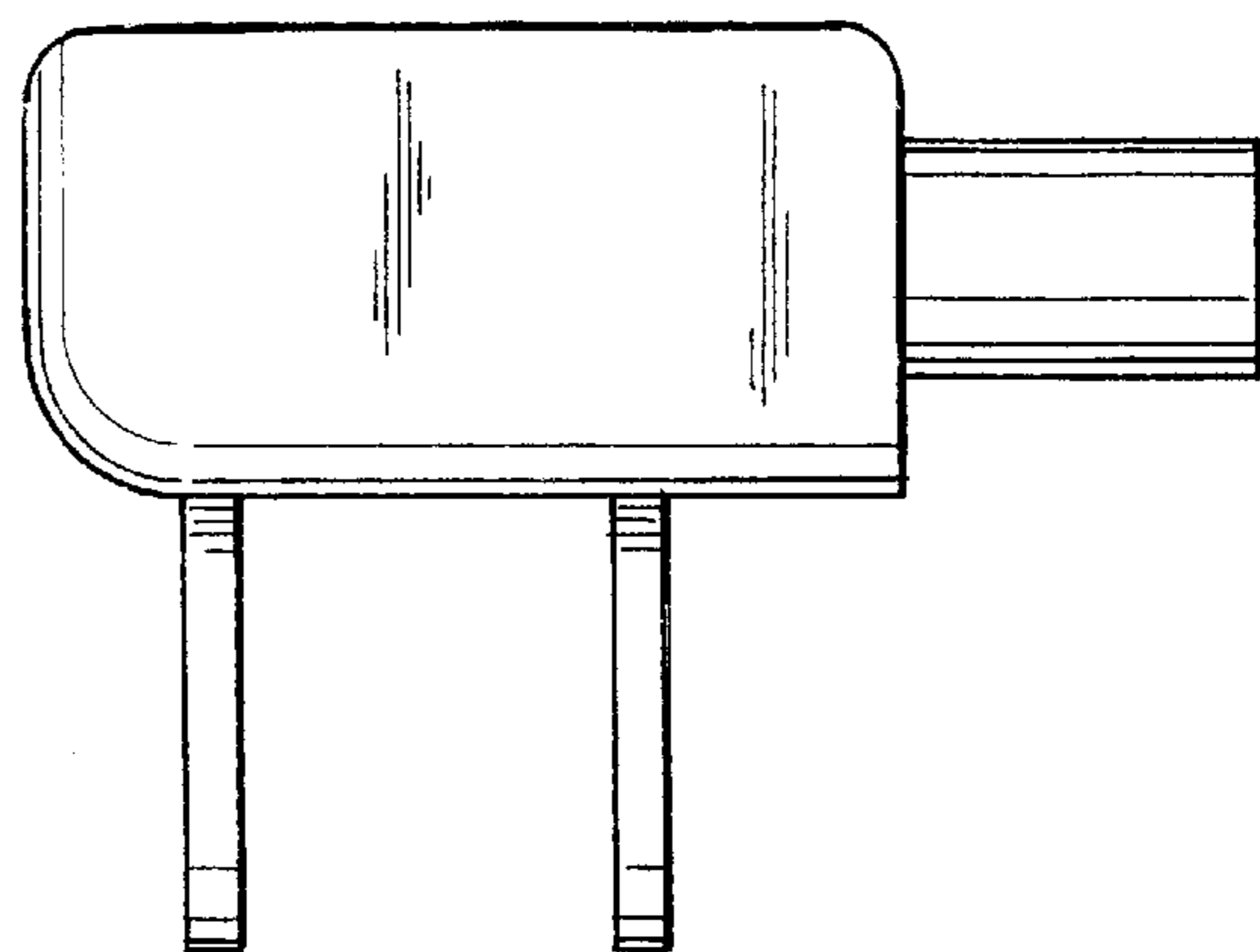


FIG. 9

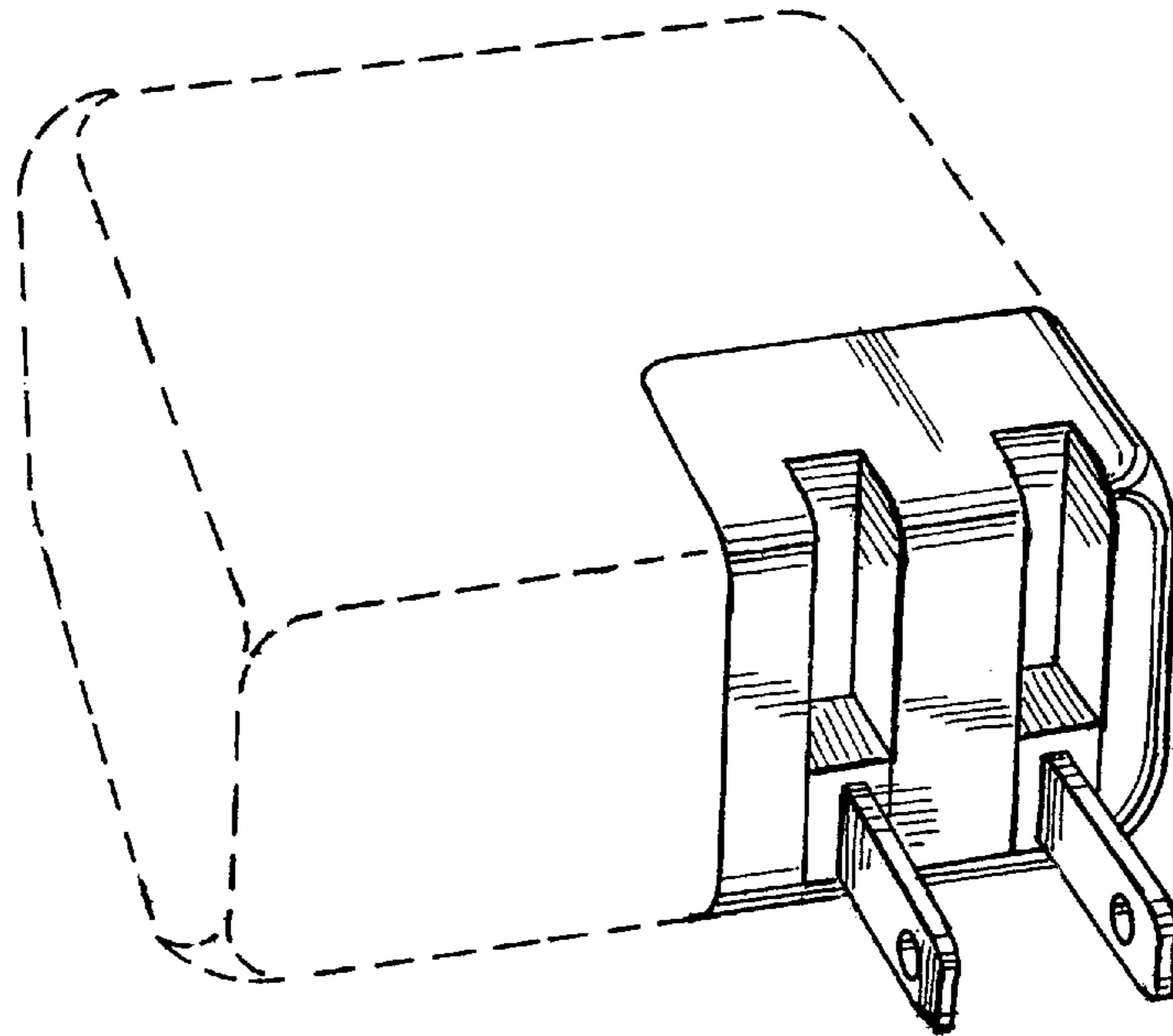
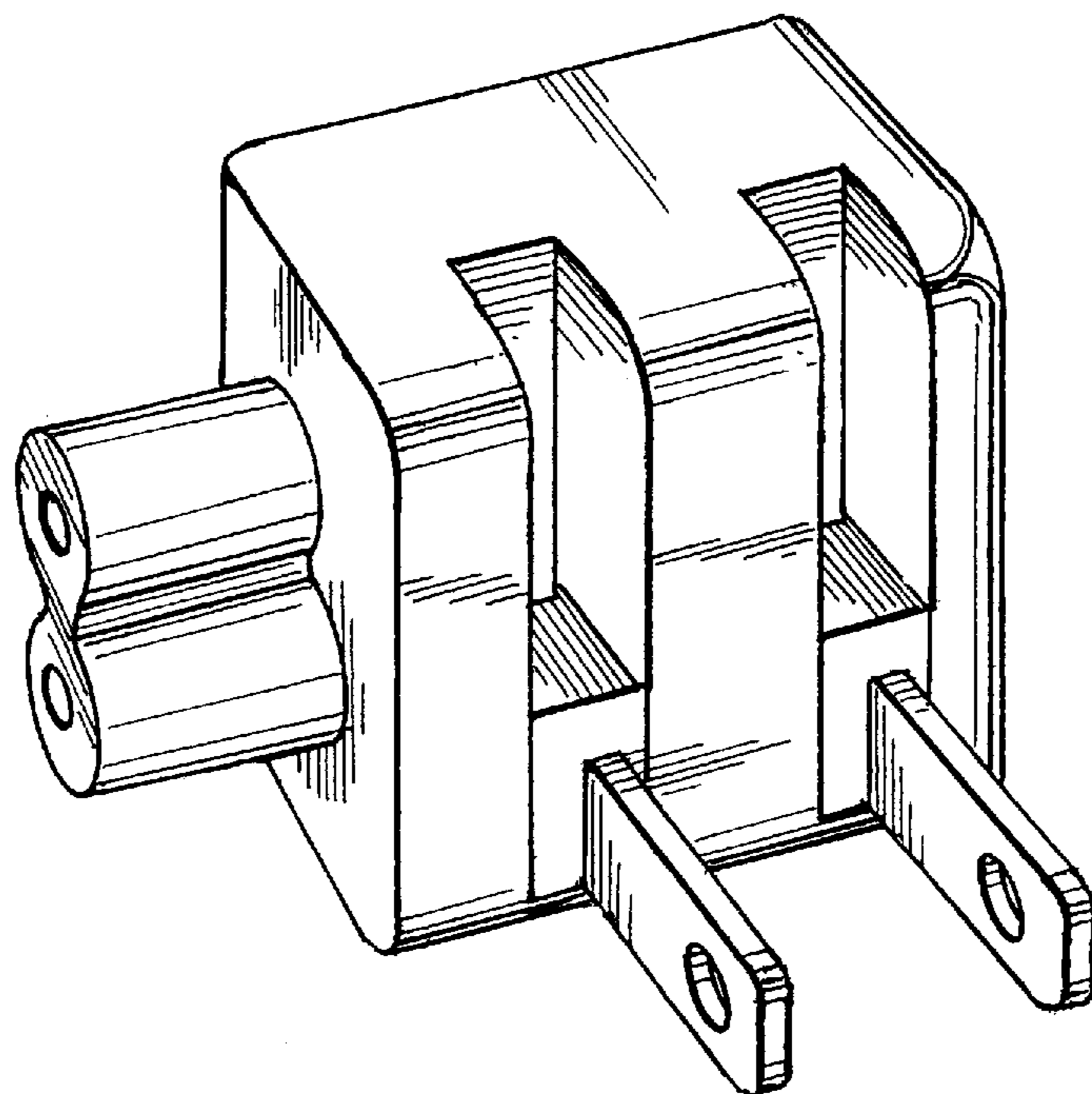


FIG. 10



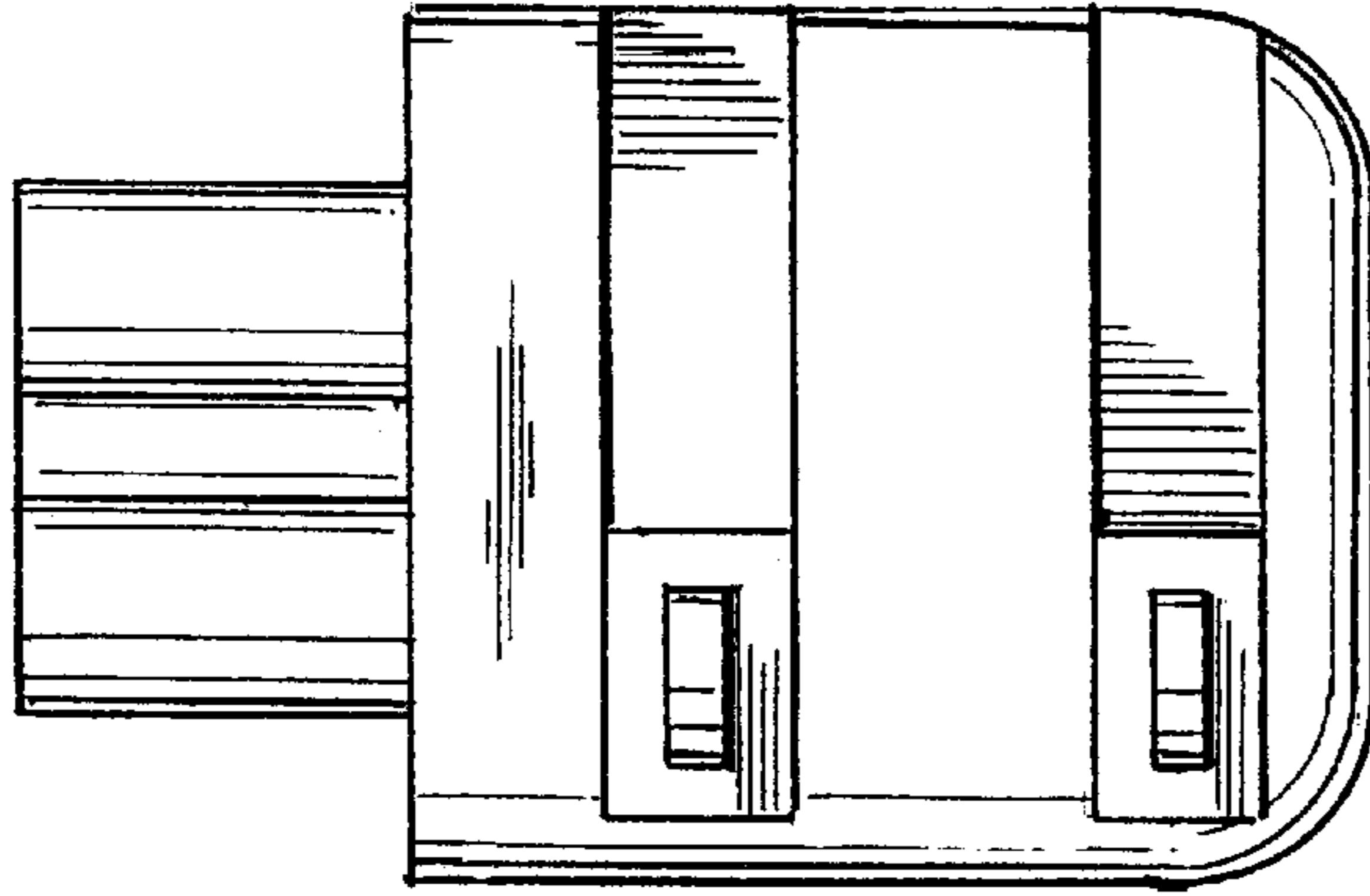


FIG. 11

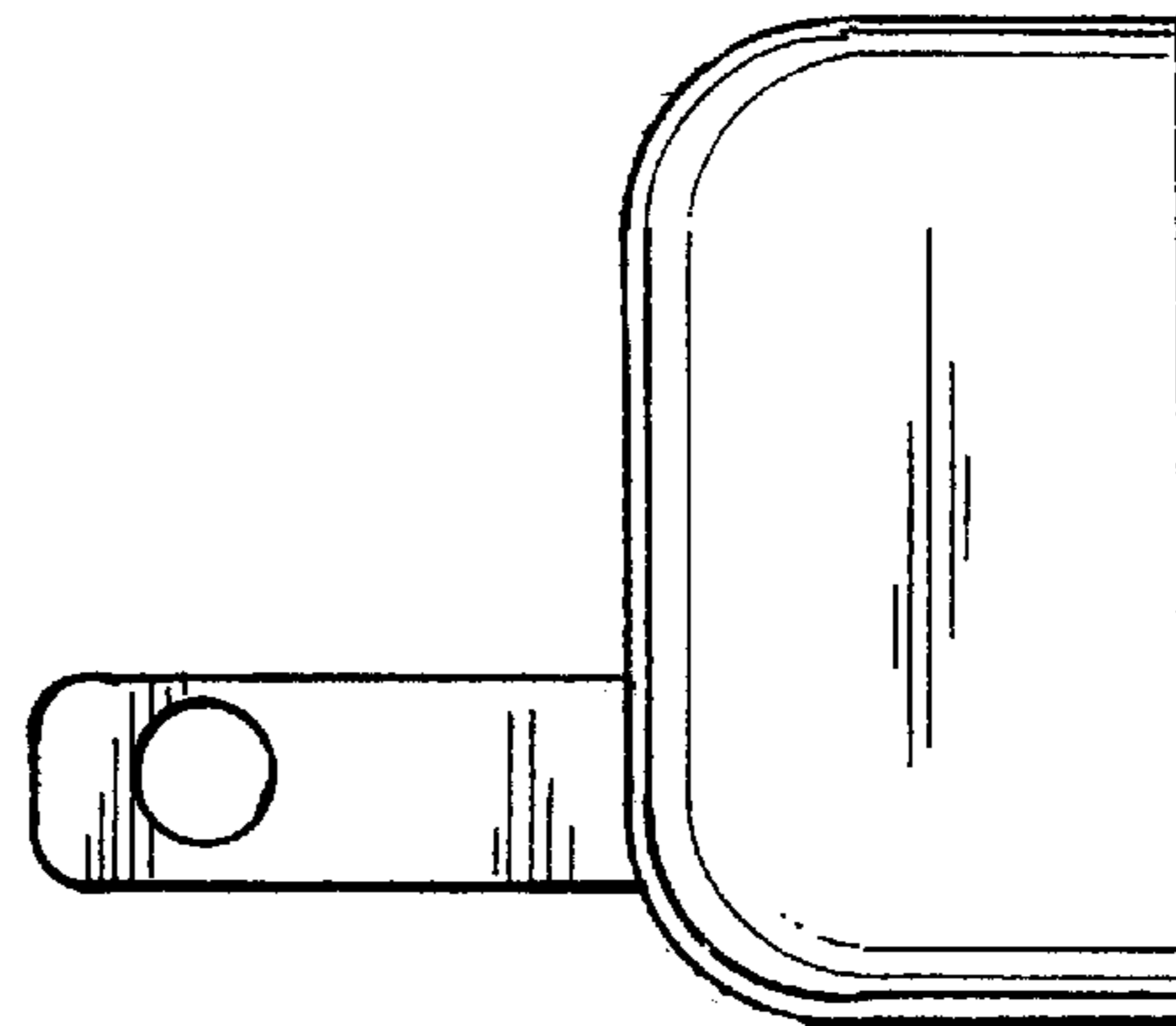


FIG. 12

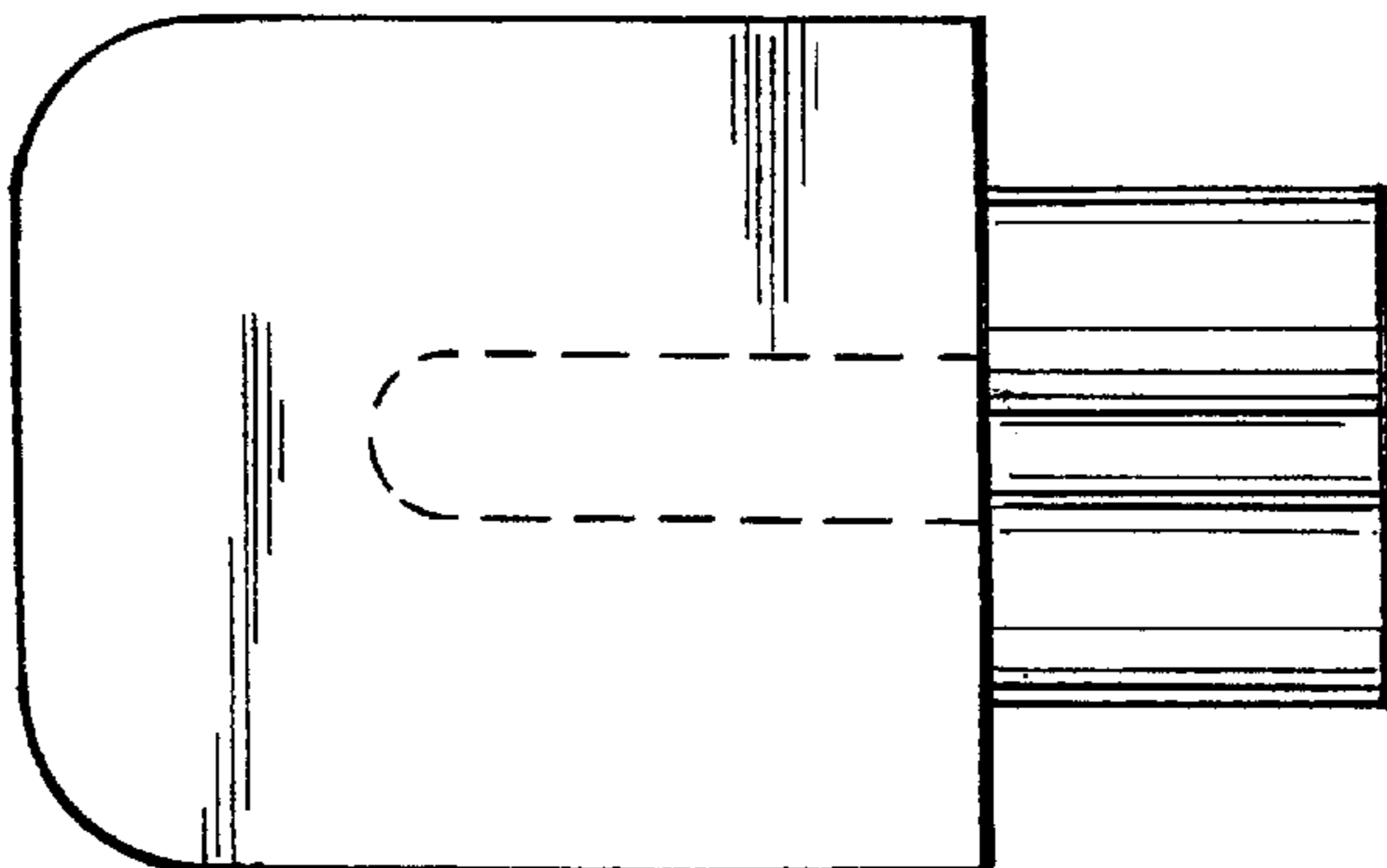


FIG. 13

FIG. 14

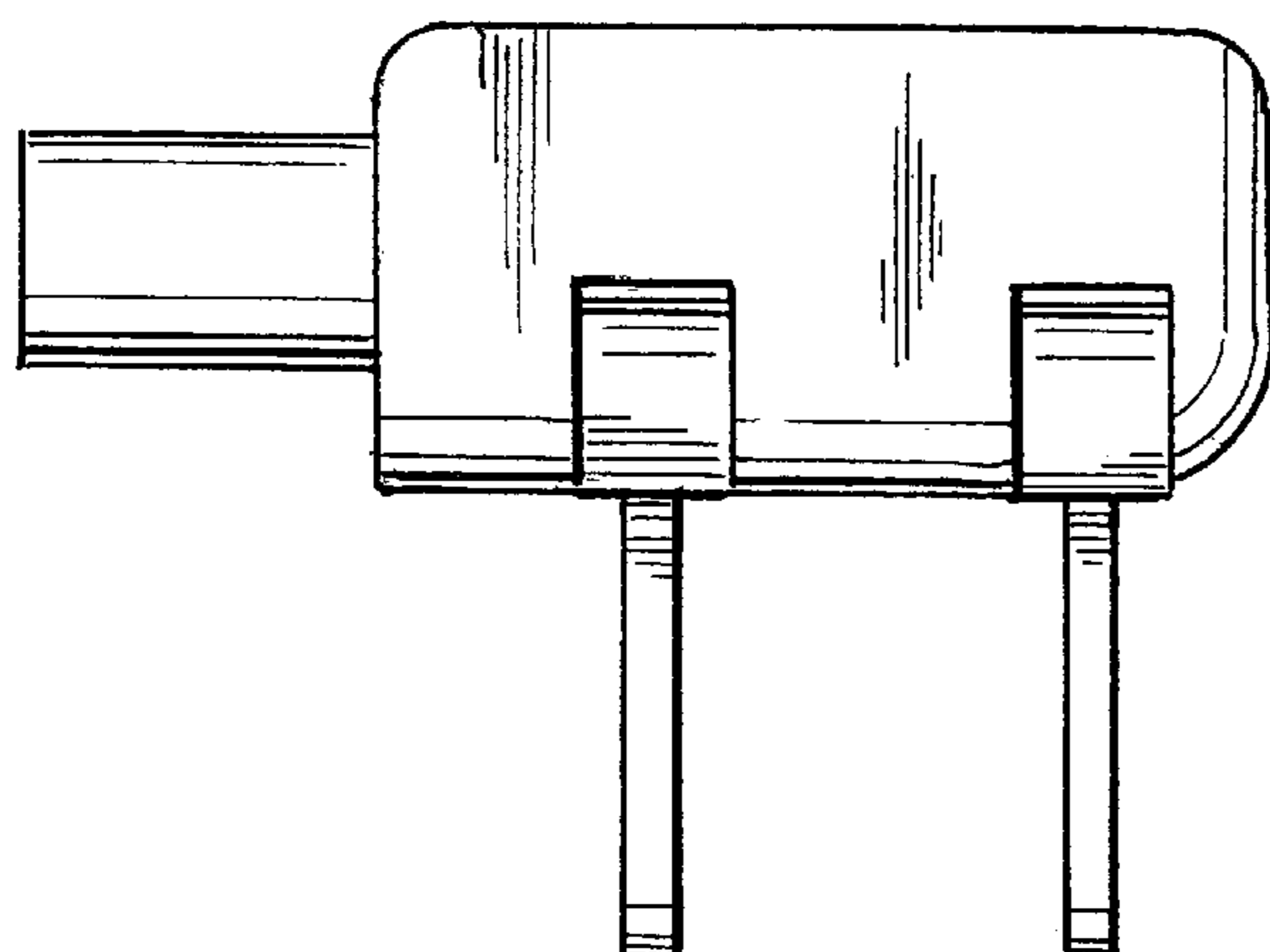
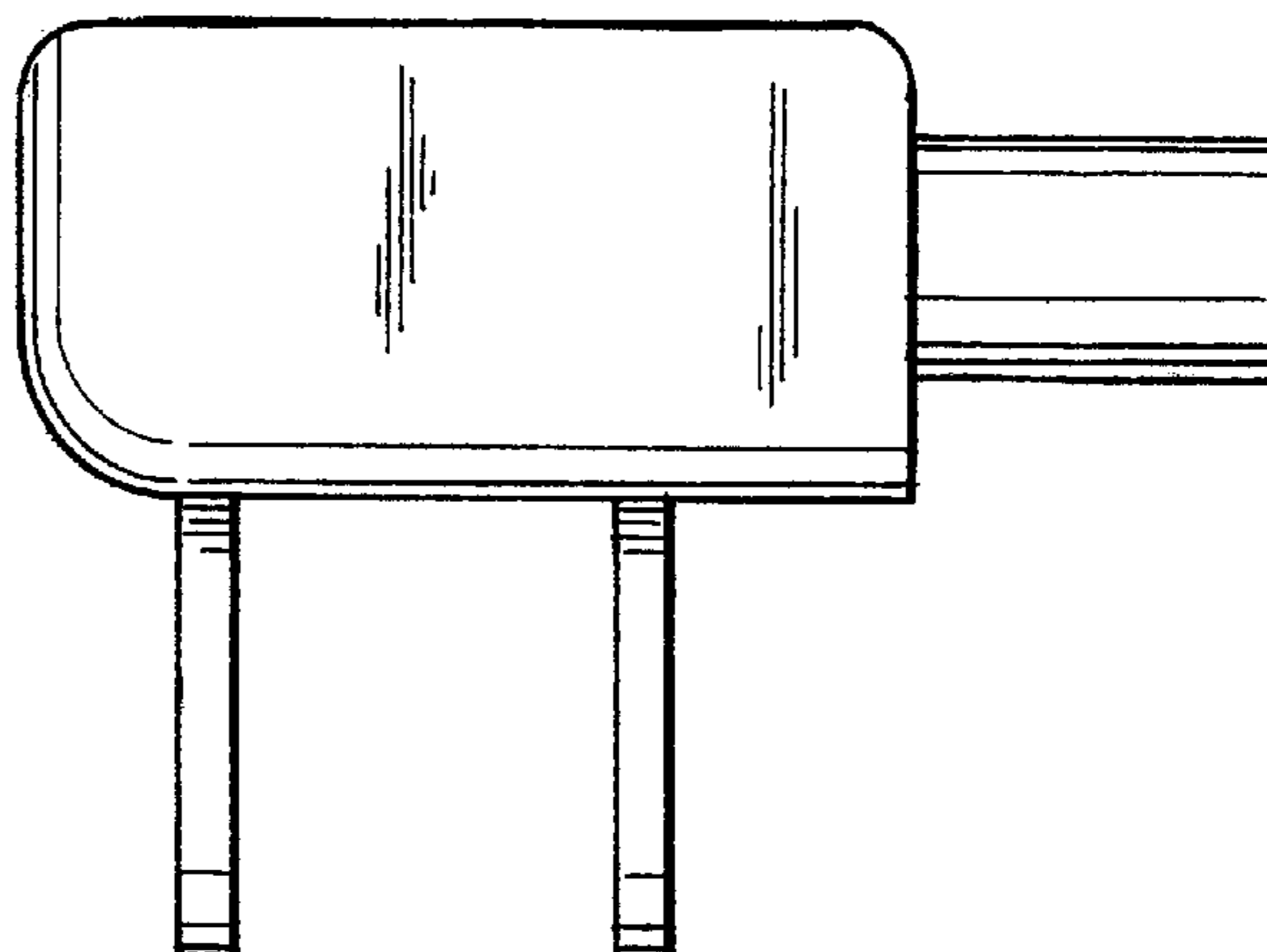


FIG. 15

FIG. 16

