



US00D538226S

(12) **United States Design Patent** (10) **Patent No.:** **US D538,226 S**
Lyman et al. (45) **Date of Patent:** **** Mar. 13, 2007**

(54) **REMOVABLE BATTERY**

(75) Inventors: **Roy Patrick Lyman**, Coventry, RI (US); **Gregory Paul Panebianco**, E. Greenwich, RI (US); **Richard James Preliasco**, North Kingstown, RI (US)

(73) Assignee: **ZIH Corp.**, Hamilton (BM)

(**) Term: **14 Years**

(21) Appl. No.: **29/255,238**

(22) Filed: **Mar. 6, 2006**

Related U.S. Application Data

(63) Continuation-in-part of application No. 29/210,269, filed on Jul. 29, 2004.

(51) **LOC (8) Cl.** **13-02**

(52) **U.S. Cl.** **D13/119; D13/103**

(58) **Field of Classification Search** D13/102-106, D13/110, 118-119, 184; 429/96-100, 163, 429/176

See application file for complete search history.

(56) **References Cited**

U.S. PATENT DOCUMENTS

D304,026 S	10/1989	Goodner et al.	
D374,424 S	* 10/1996	Nagele et al.	D13/103
D375,932 S	* 11/1996	Nagele et al.	D13/103
D376,127 S	* 12/1996	Nagele et al.	D13/103
D390,825 S	* 2/1998	Chen	D13/110
D403,655 S	* 1/1999	Johansson	D13/103
D409,974 S	* 5/1999	Sasago	D13/103
D421,957 S	* 3/2000	Waldner	D13/103
6,062,887 A	5/2000	Schuster et al.	
D439,217 S	* 3/2001	Melnicoff	D13/103
D439,879 S	* 4/2001	Rotundo	D13/103
D480,682 S	10/2003	Kawase	
D485,531 S	* 1/2004	Liao et al.	D13/119
D486,789 S	2/2004	Santiago	

D487,250 S	3/2004	Kikutani	
D490,370 S	* 5/2004	Picardo	D13/103
D503,673 S	* 4/2005	Rosengrant	D13/103
D522,451 S	* 6/2006	Hayes et al.	D13/103

OTHER PUBLICATIONS

Zebra® QL Series Mobile Printer User Guide, Feb. 2004, pp. 8-14.

Zebra® QL and QL Plus Series Mobile Printers, Quick Start Guide, 2 pages.

Mobile Printer Chargers, User's Manual, Zebra Technologies Corporation, Mar. 2003, pp. 5-7.

* cited by examiner

Primary Examiner—Alan P. Douglas

Assistant Examiner—Rosemary K. Tarcza

(74) Attorney, Agent, or Firm—Alston & Bird LLP

(57) **CLAIM**

The ornamental design for a removable battery, as shown and described.

DESCRIPTION

FIG. 1 is a perspective view of a removable battery according to the present invention;

FIG. 2 is a bottom view of the removable battery shown in FIG. 1;

FIG. 3 is a front elevation view of the removable battery shown in FIG. 1;

FIG. 4 is a rear elevation view of the removable battery shown in FIG. 1;

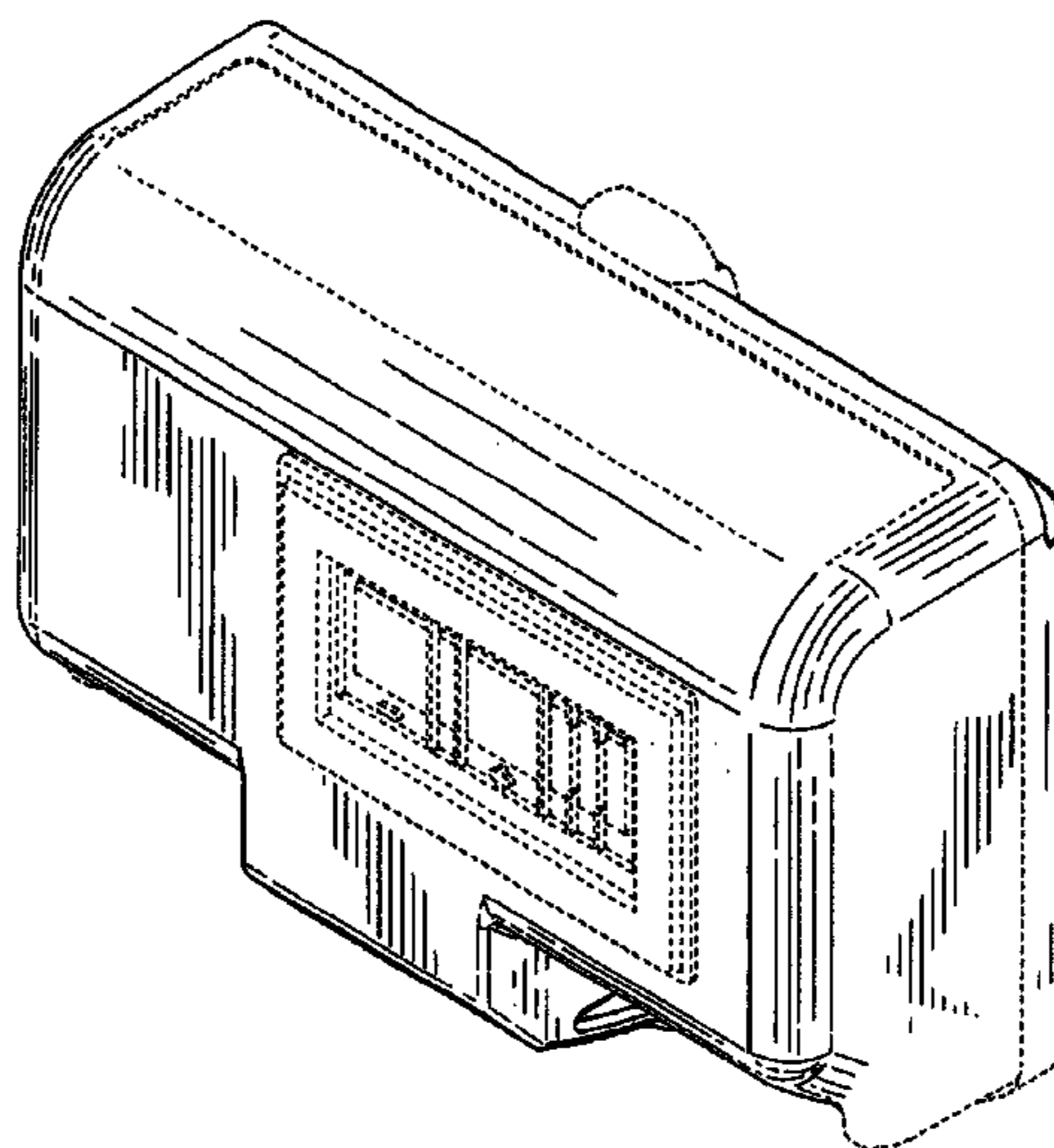
FIG. 5 is a right side elevation view of the removable battery shown in FIG. 1;

FIG. 6 is a left side elevation view of the removable battery shown in FIG. 1; and,

FIG. 7 is a top view of the removable battery shown in FIG. 1.

The broken lines shown herein are for illustrative purposes only and form no part of the claimed design.

1 Claim, 5 Drawing Sheets



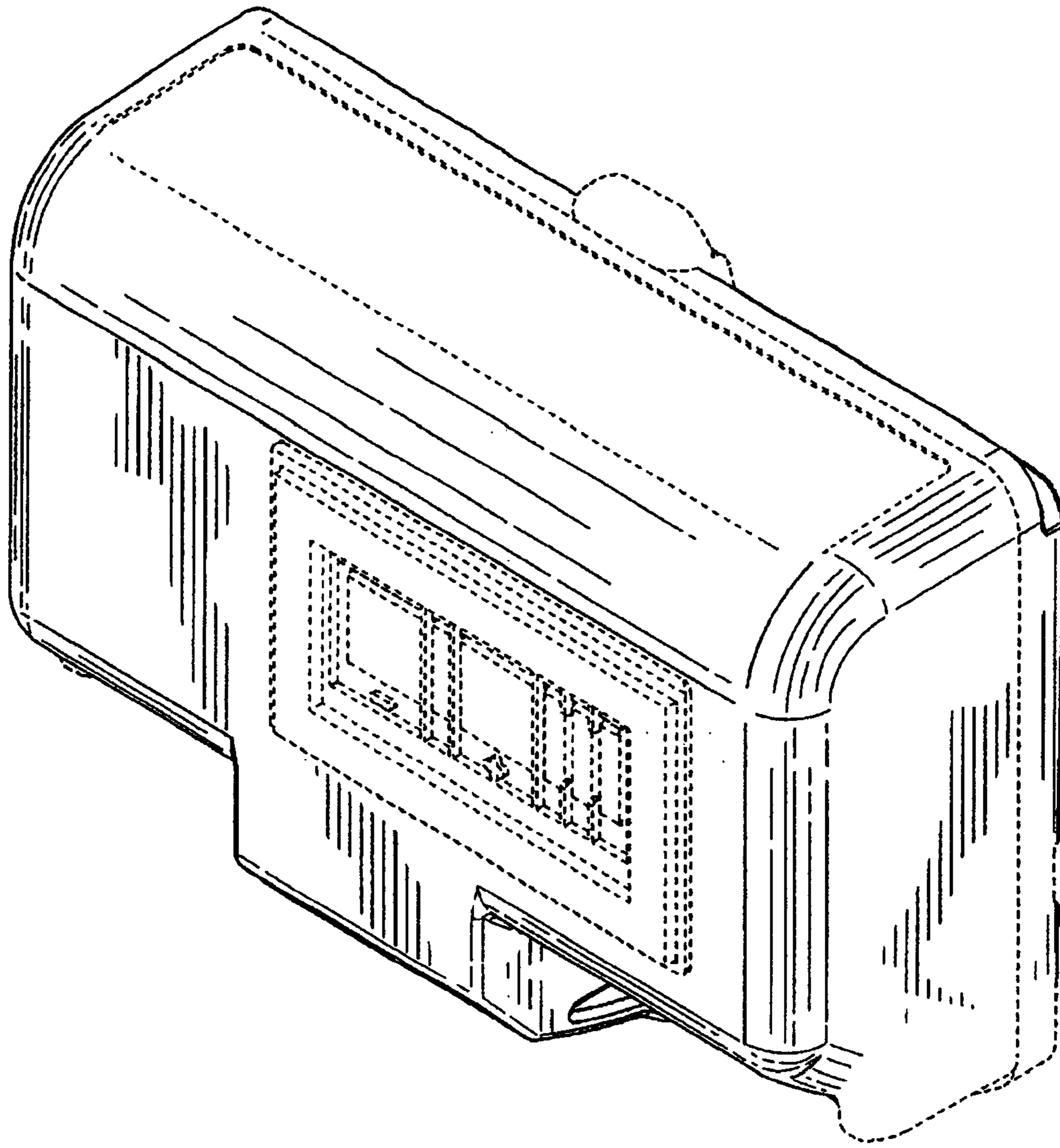


FIG. 1

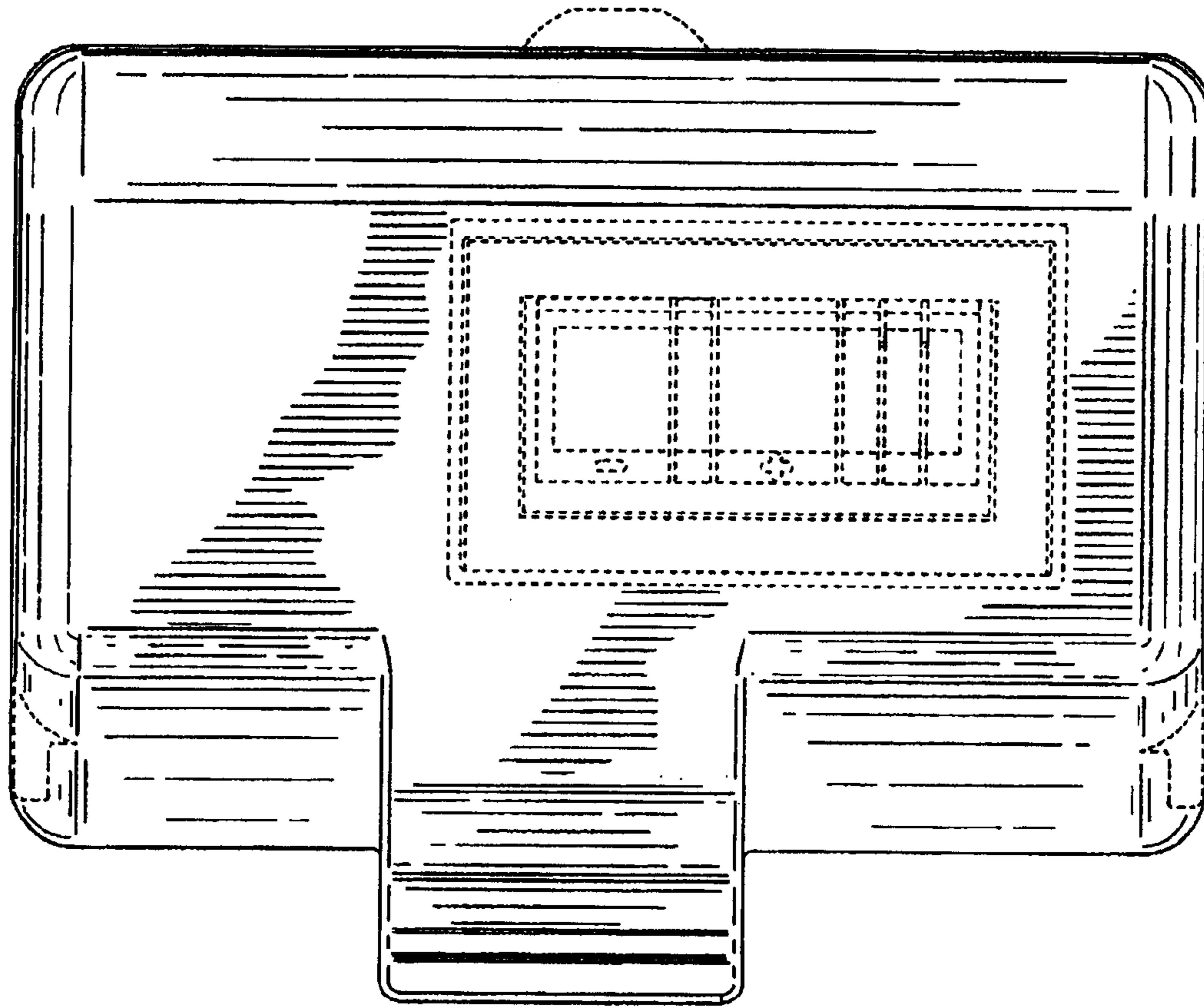


FIG. 2

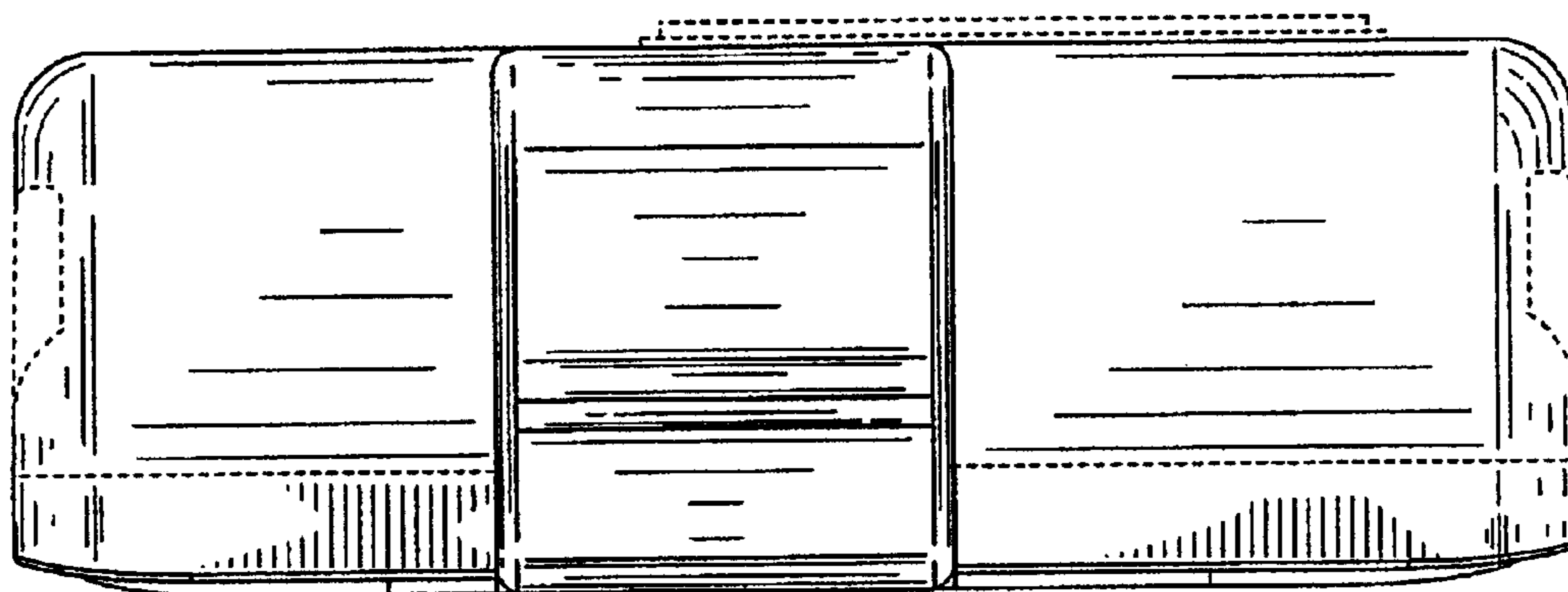


FIG. 3



FIG. 4

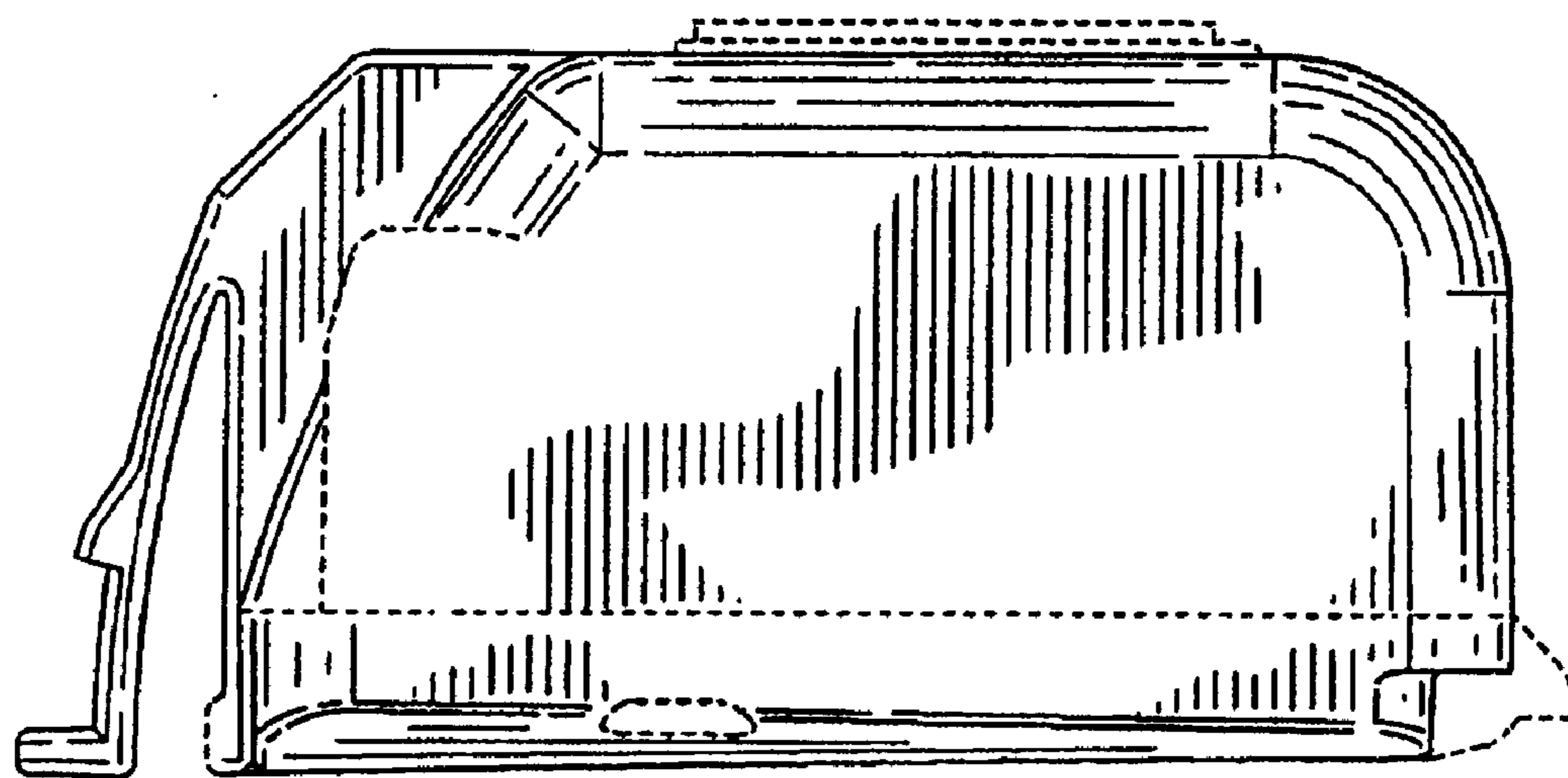


FIG. 5

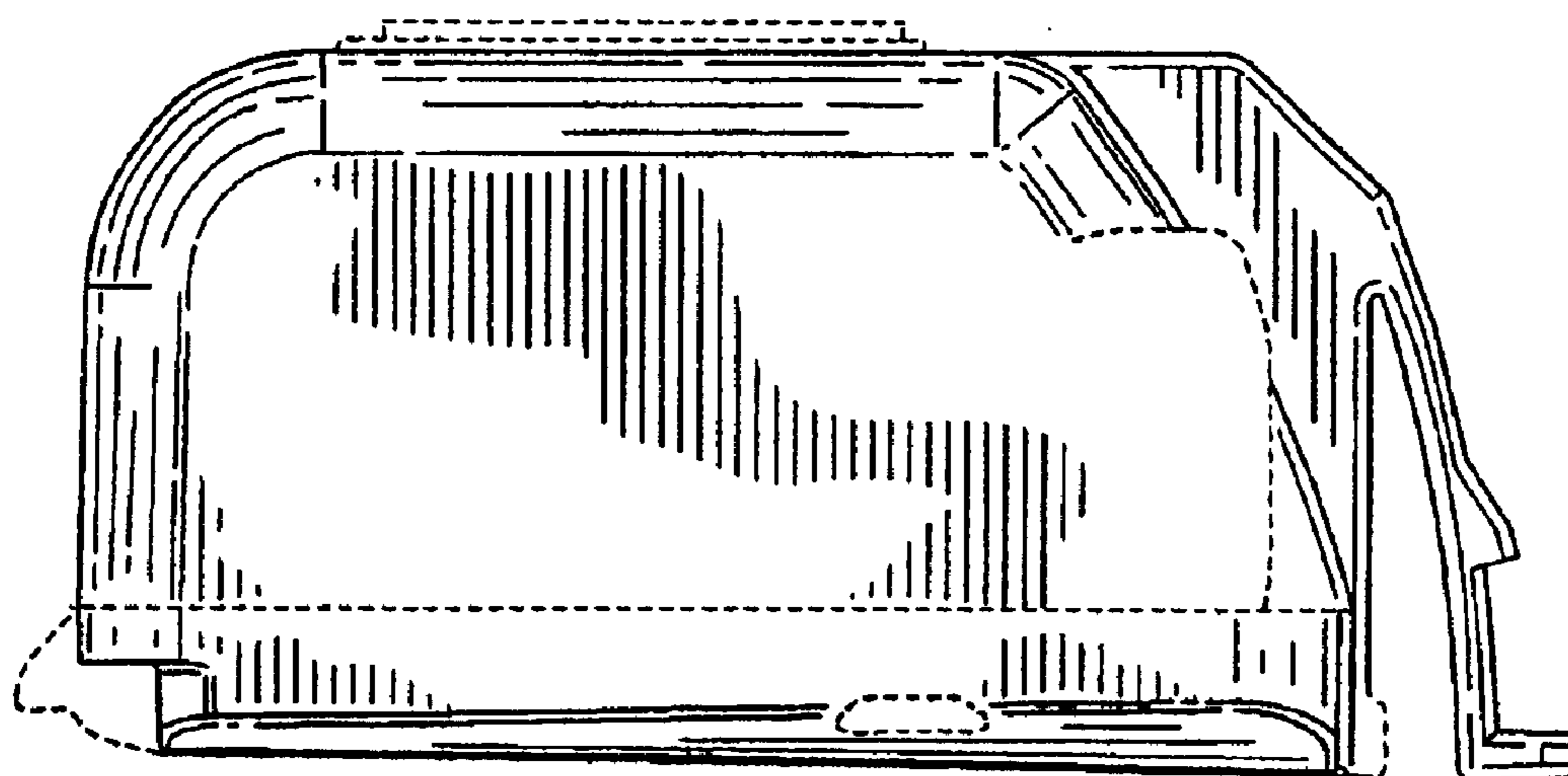


FIG. 6

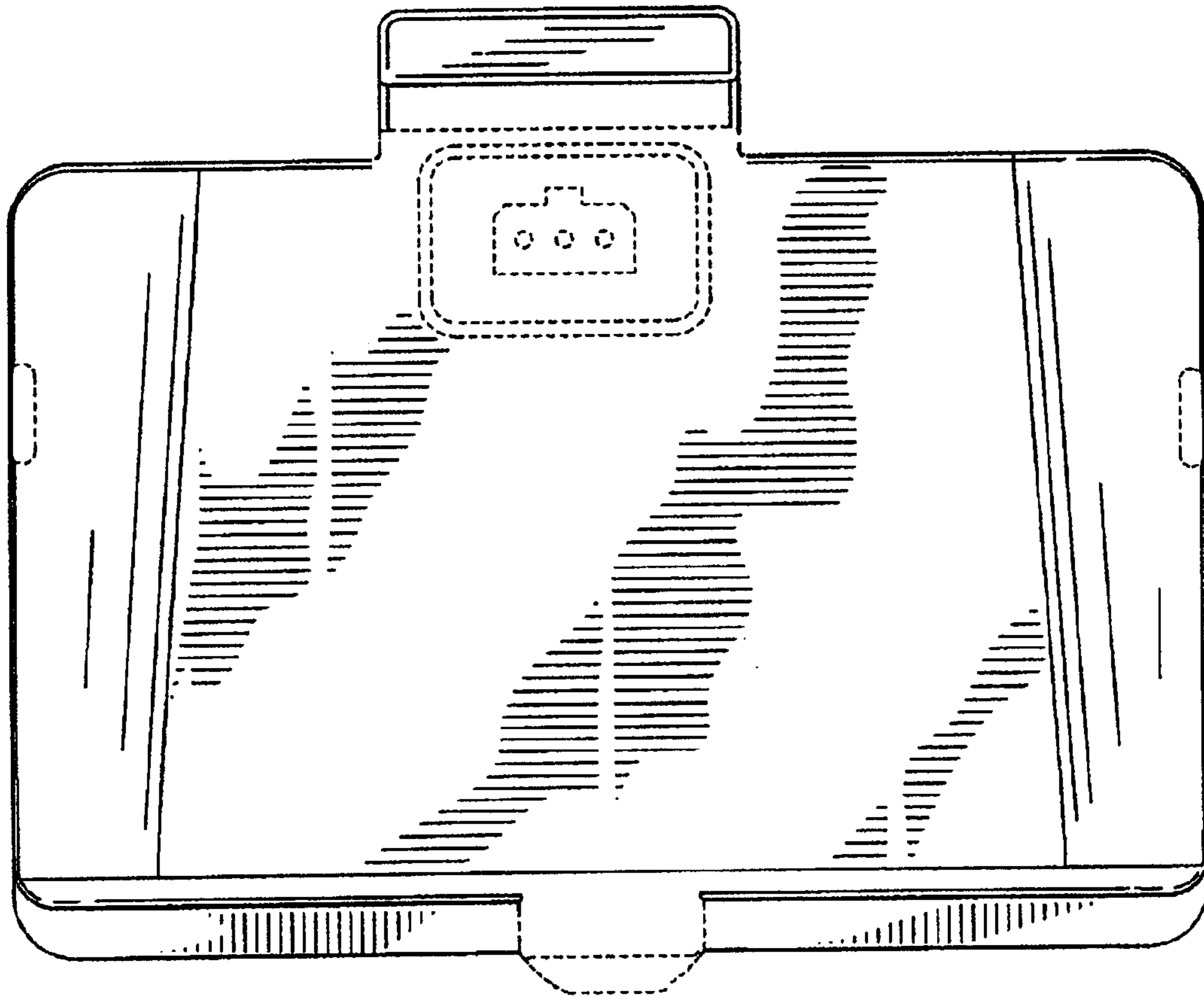


FIG. 7