



US00D538224S

(12) **United States Design Patent**
Prelec, Sr.

(10) **Patent No.:** **US D538,224 S**

(45) **Date of Patent:** **** Mar. 13, 2007**

(54) **BATTERY CHARGER CASING**

(76) Inventor: **Michael L. Prelec, Sr.**, 4175 Hwy. 11,
Deland, FL (US) 32724

(**) Term: **14 Years**

(21) Appl. No.: **29/235,059**

(22) Filed: **Jul. 27, 2005**

(51) **LOC (8) Cl.** **13-02**

(52) **U.S. Cl.** **D13/107**

(58) **Field of Classification Search** D13/106-110,
D13/118-119, 184; D14/251, 253, 432, 434;
D12/210; D15/3; 320/103-105, 107-115;
180/219

See application file for complete search history.

(56) **References Cited**

U.S. PATENT DOCUMENTS

D126,359 S	*	4/1941	Courtney	D12/110
D277,756 S	*	2/1985	Davidson	D15/1
4,497,293 A	*	2/1985	Takagi et al.	123/196 A
D283,689 S	*	5/1986	Nakano et al.	D12/110
D294,264 S	*	2/1988	Davidson et al.	D15/3
5,109,943 A	*	5/1992	Crenshaw et al.	180/228
D333,806 S	*	3/1993	Davidson	D12/110
D511,136 S	*	11/2005	Hirschburger et al.	D13/107
D511,718 S	*	11/2005	Manchester et al.	D12/110
2001/0027888 A1	*	10/2001	Scherbarth	180/219

2002/0024318 A1	*	2/2002	Zeiler	320/107
2003/0090234 A1	*	5/2003	Glasgow et al.	320/107
2005/0285560 A1	*	12/2005	Glasgow et al.	320/111

* cited by examiner

Primary Examiner—Alan P. Douglas

Assistant Examiner—Rosemary K. Tarcza

(74) *Attorney, Agent, or Firm*—Matthew G. McKinney

(57) **CLAIM**

The ornamental design for a battery charger casing, as shown and described.

DESCRIPTION

FIG. 1 is a left side elevational view of a battery charger casing showing my new design mounted within a model motorcycle frame;

FIG. 2 is another left side elevational view of a battery charger casing showing my new design;

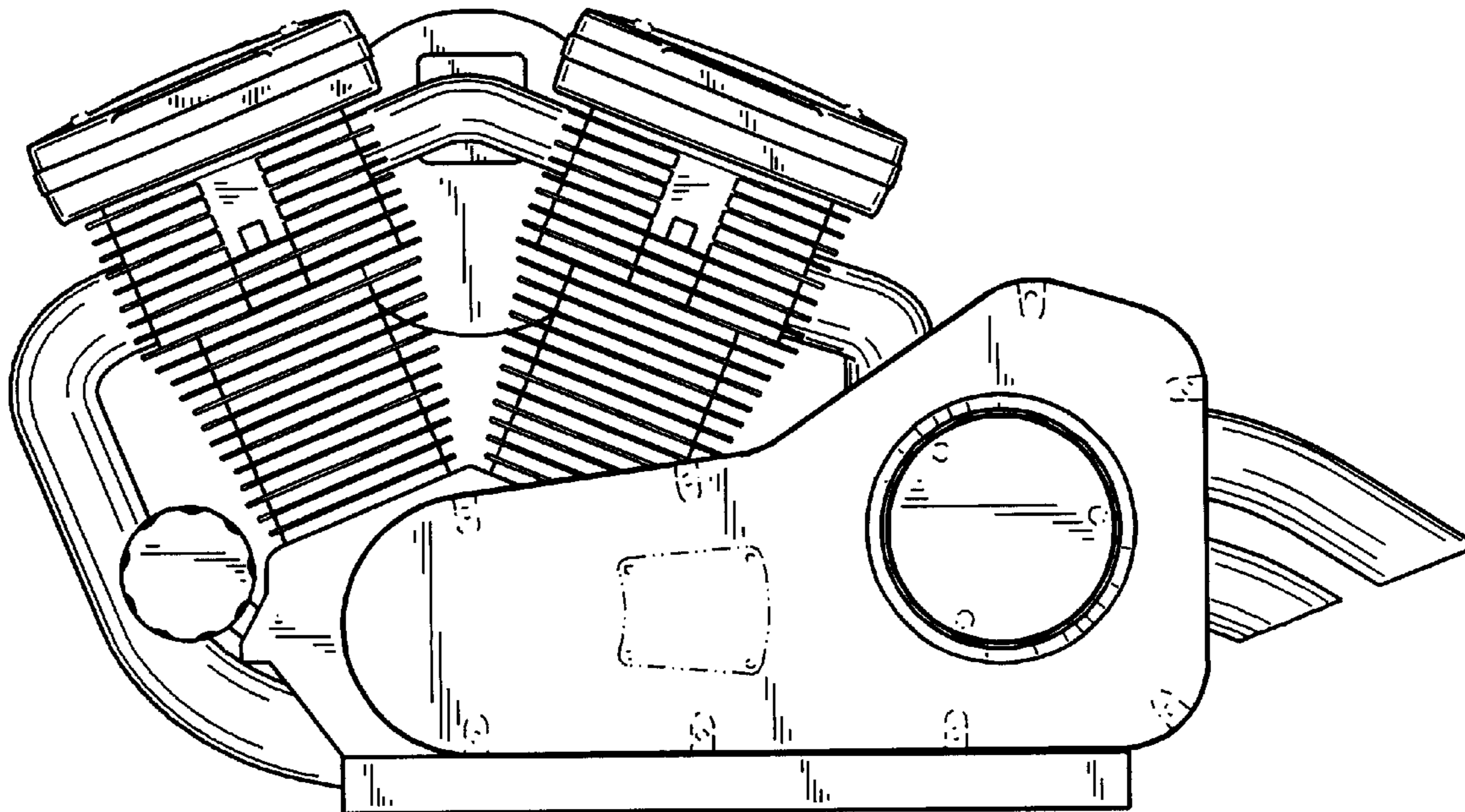
FIG. 3 is a rear elevational view of a battery charger casing showing my new design;

FIG. 4 is a top plan view of a battery charger casing showing my new design; and,

FIG. 5 is a right side elevational view of a battery charger casing showing my new design.

The model motorcycle frame is shown in broken lines for illustrative purposes only and forms no part of the claimed invention.

1 Claim, 3 Drawing Sheets



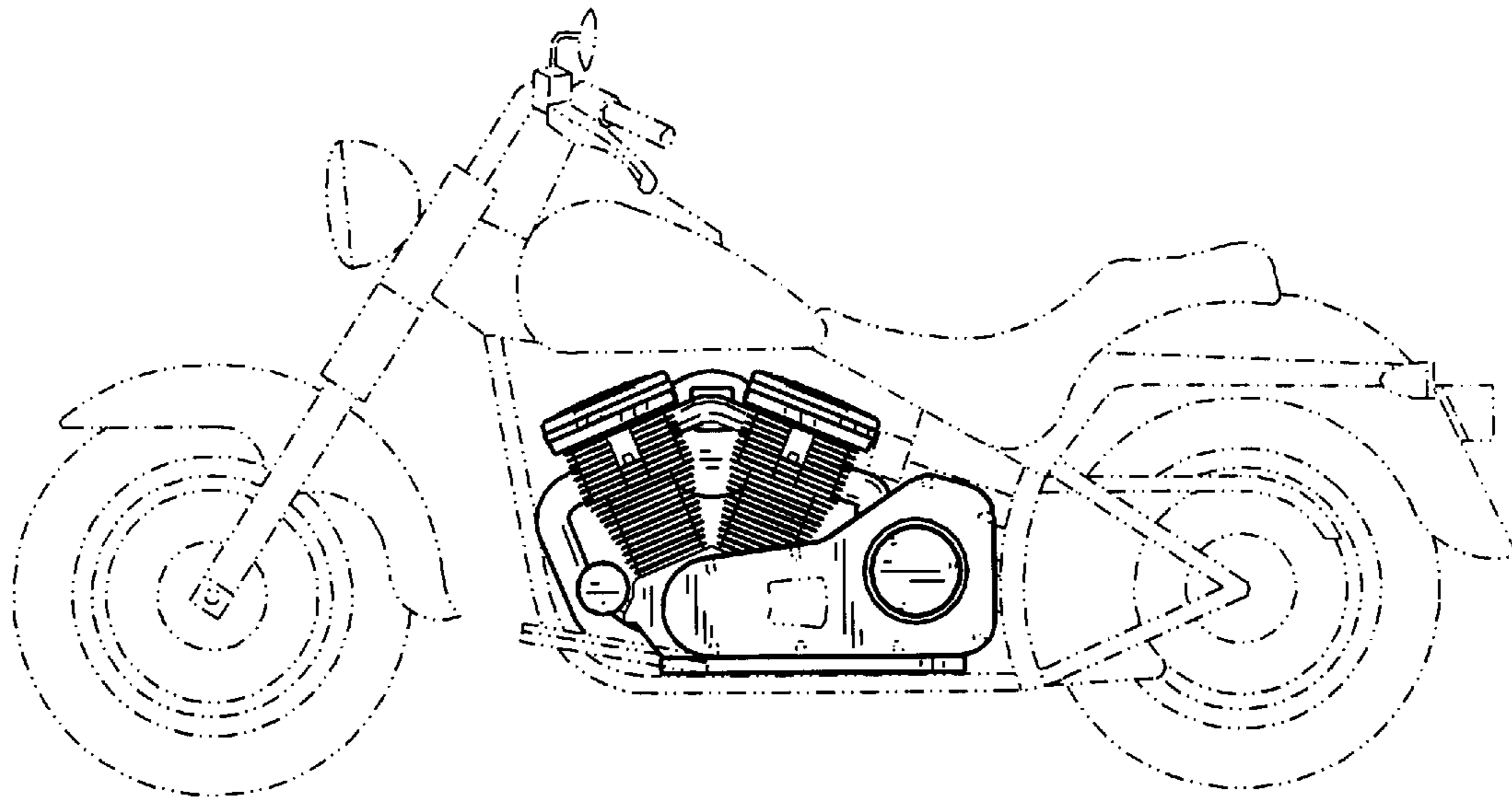


FIG. 1

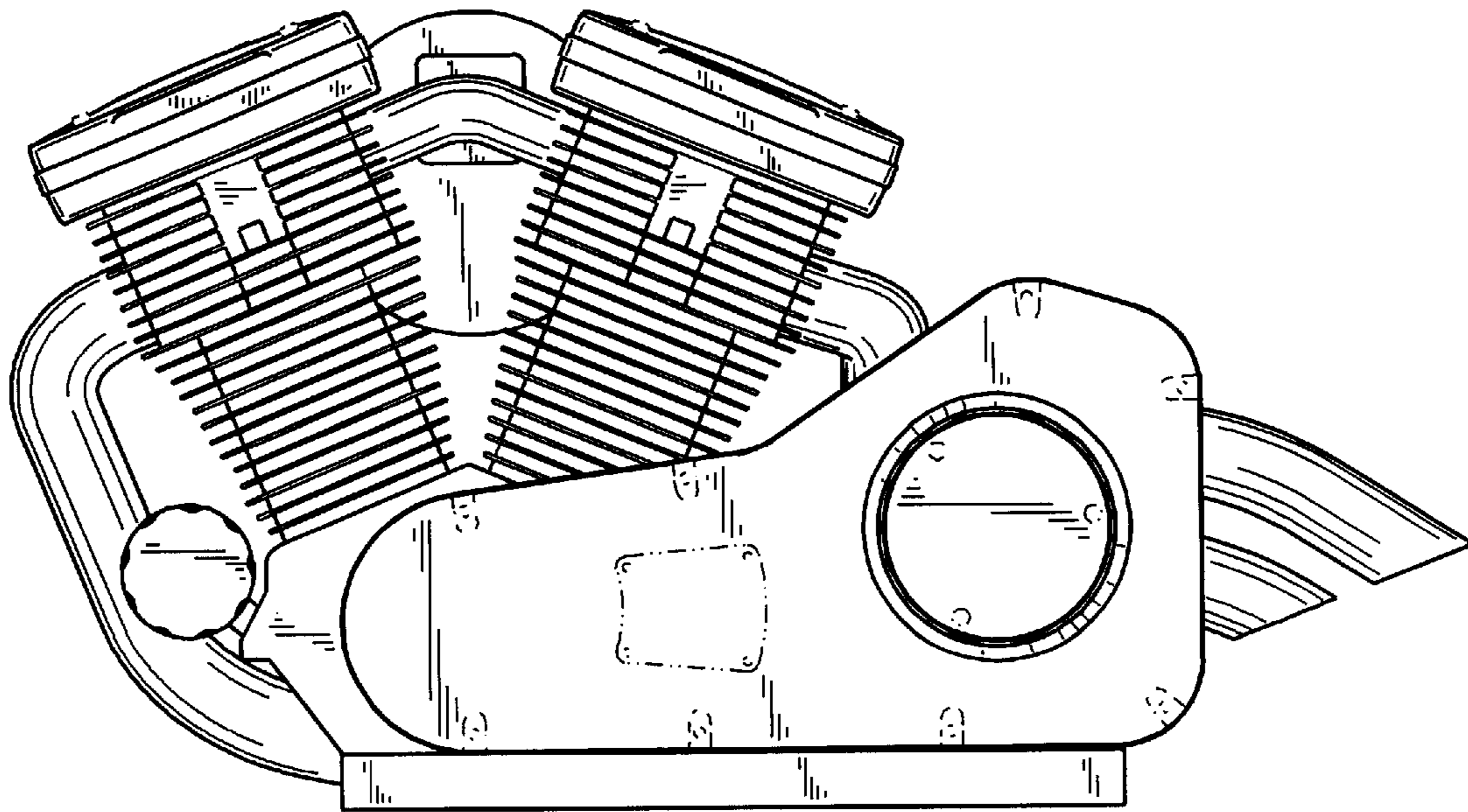


FIG. 2

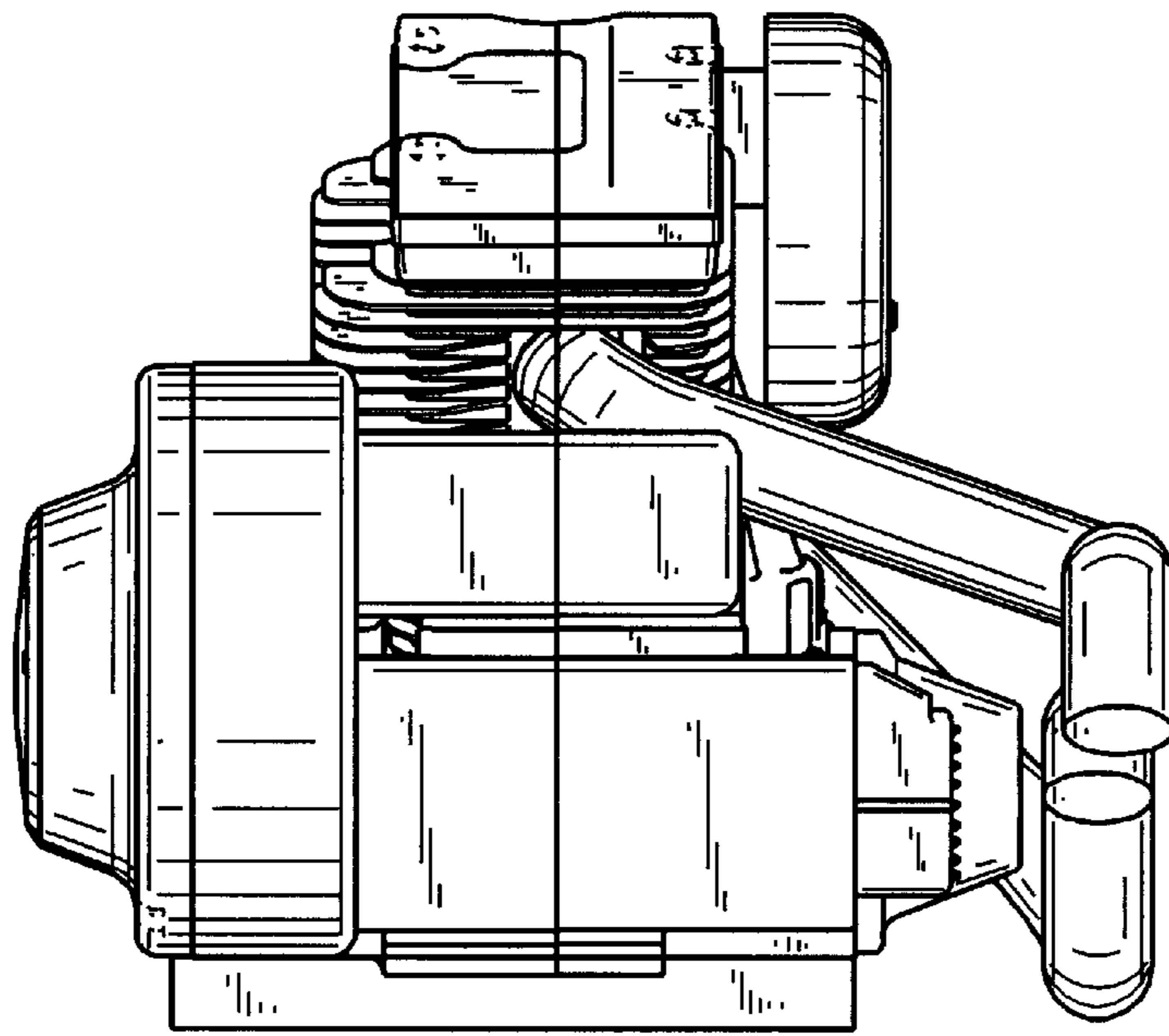


FIG. 3

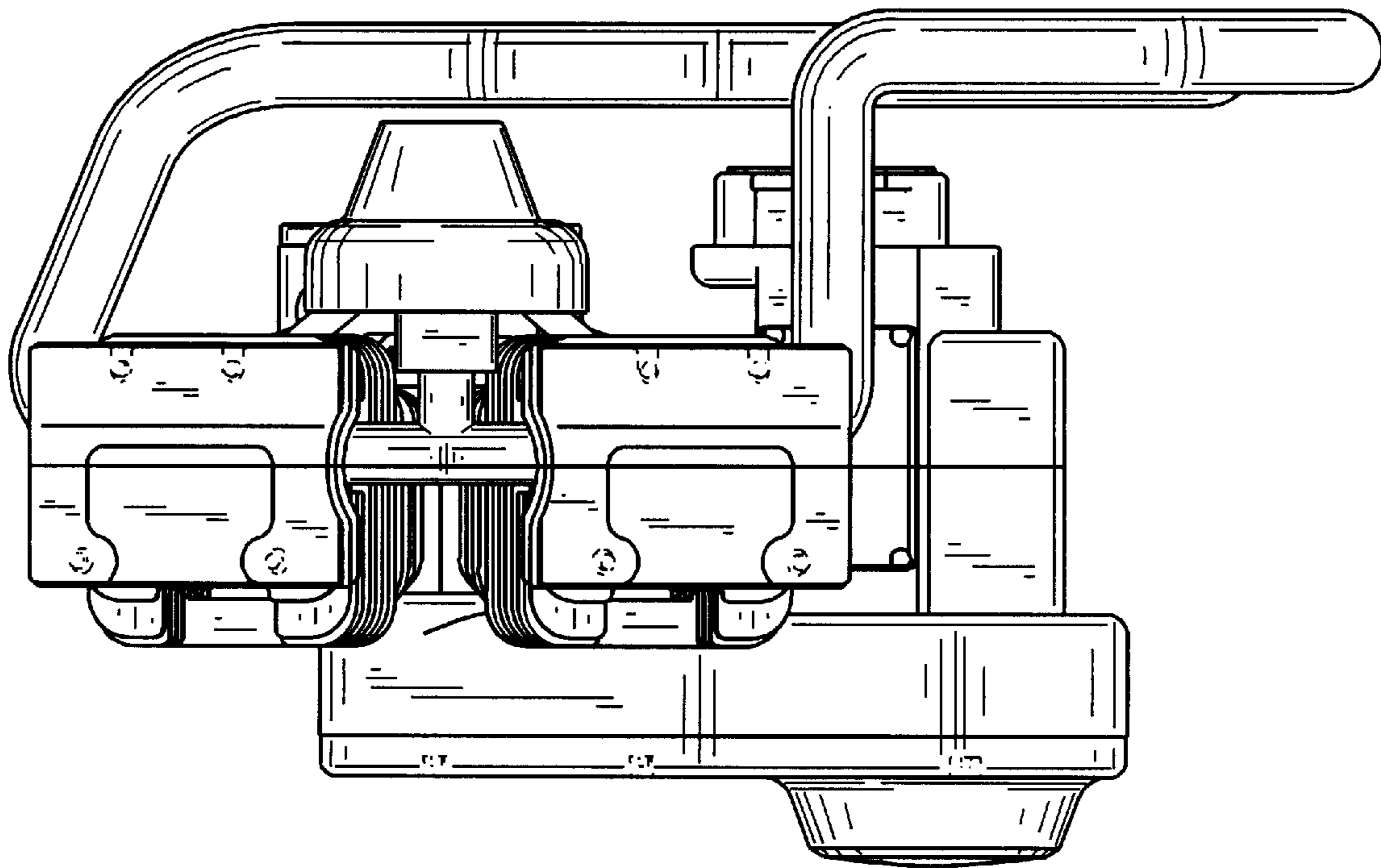


FIG. 4

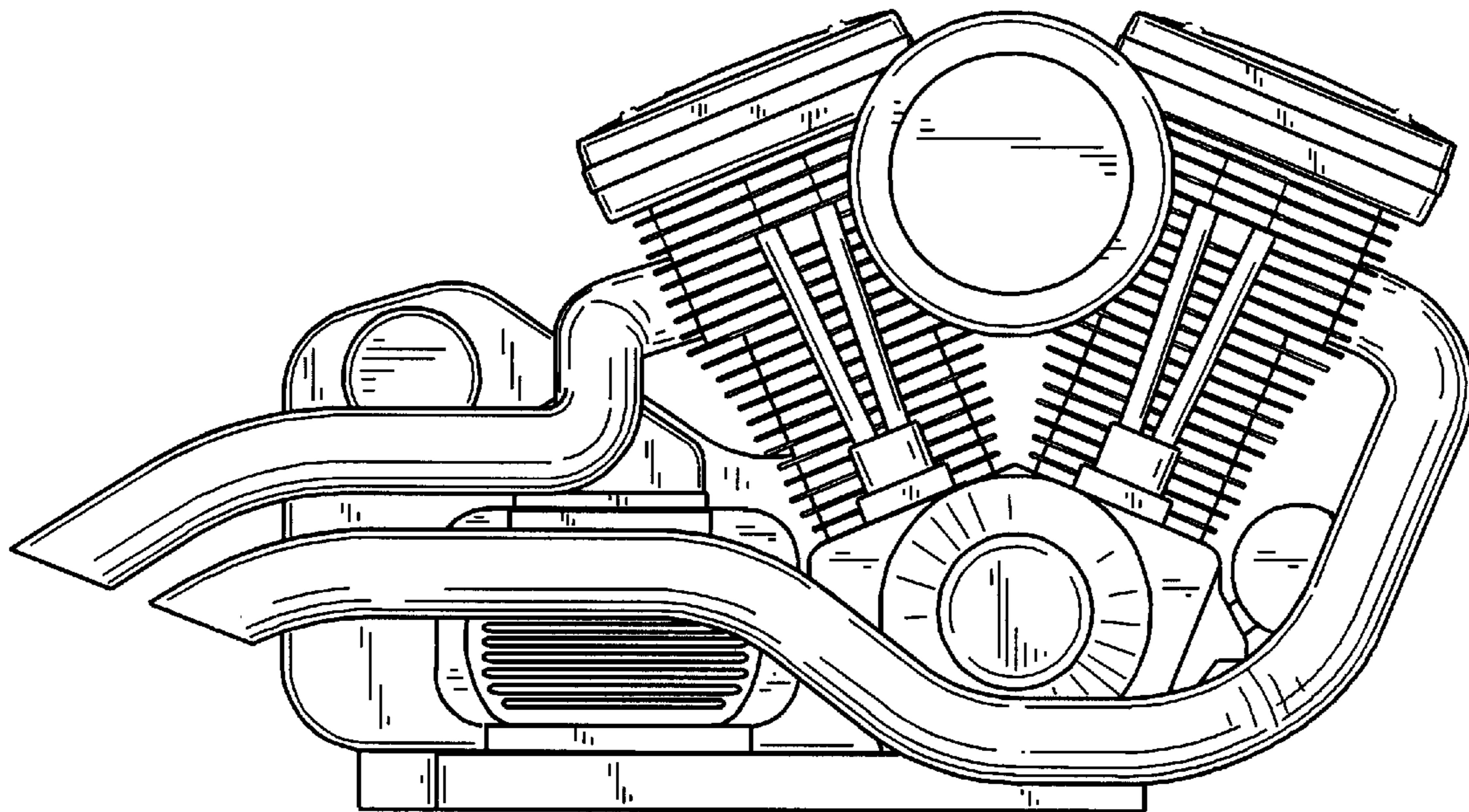


FIG. 5