



US00D538223S

(12) **United States Design Patent**
Yang

(10) **Patent No.:** **US D538,223 S**

(45) **Date of Patent:** **** Mar. 13, 2007**

(54) **USB BATTERY CHARGER**

(76) Inventor: **Fu-I Yang**, 5th Floor, 101, Hsin Pu 8th Street, Taoyuan City (TW)

(**) Term: **14 Years**

(21) Appl. No.: **29/229,026**

(22) Filed: **May 3, 2005**

(51) **LOC (8) Cl.** **13-02**

(52) **U.S. Cl.** **D13/107; D14/356**

(58) **Field of Classification Search** D13/107-110,
D13/118-119, 184; D14/251, 253, 432, 434,
D14/356, 435; 320/107-115; 455/573; 439/638
See application file for complete search history.

(56) **References Cited**

U.S. PATENT DOCUMENTS

D433,996 S	*	11/2000	Ma	D13/110
6,733,329 B2	*	5/2004	Yang	439/518
D494,969 S	*	8/2004	Lin	D14/356
D500,301 S	*	12/2004	Deguchi	D14/167
D511,519 S	*	11/2005	Bone et al.	D14/432
D513,005 S	*	12/2005	Kobayakawa	D14/435
D515,029 S	*	2/2006	Hattori	D13/108
D520,944 S	*	5/2006	Morita	D13/108
D520,995 S	*	5/2006	Chang	D14/356
D521,509 S	*	5/2006	Chen	D14/356
D522,506 S	*	6/2006	Chen	D14/356

D524,315 S	*	7/2006	Reusing et al.	D14/434
D524,811 S	*	7/2006	Kent et al.	D14/356

* cited by examiner

Primary Examiner—Alan P. Douglas
Assistant Examiner—Rosemary K. Tarcza
(74) *Attorney, Agent, or Firm*—Rosenberg, Klein & Lee

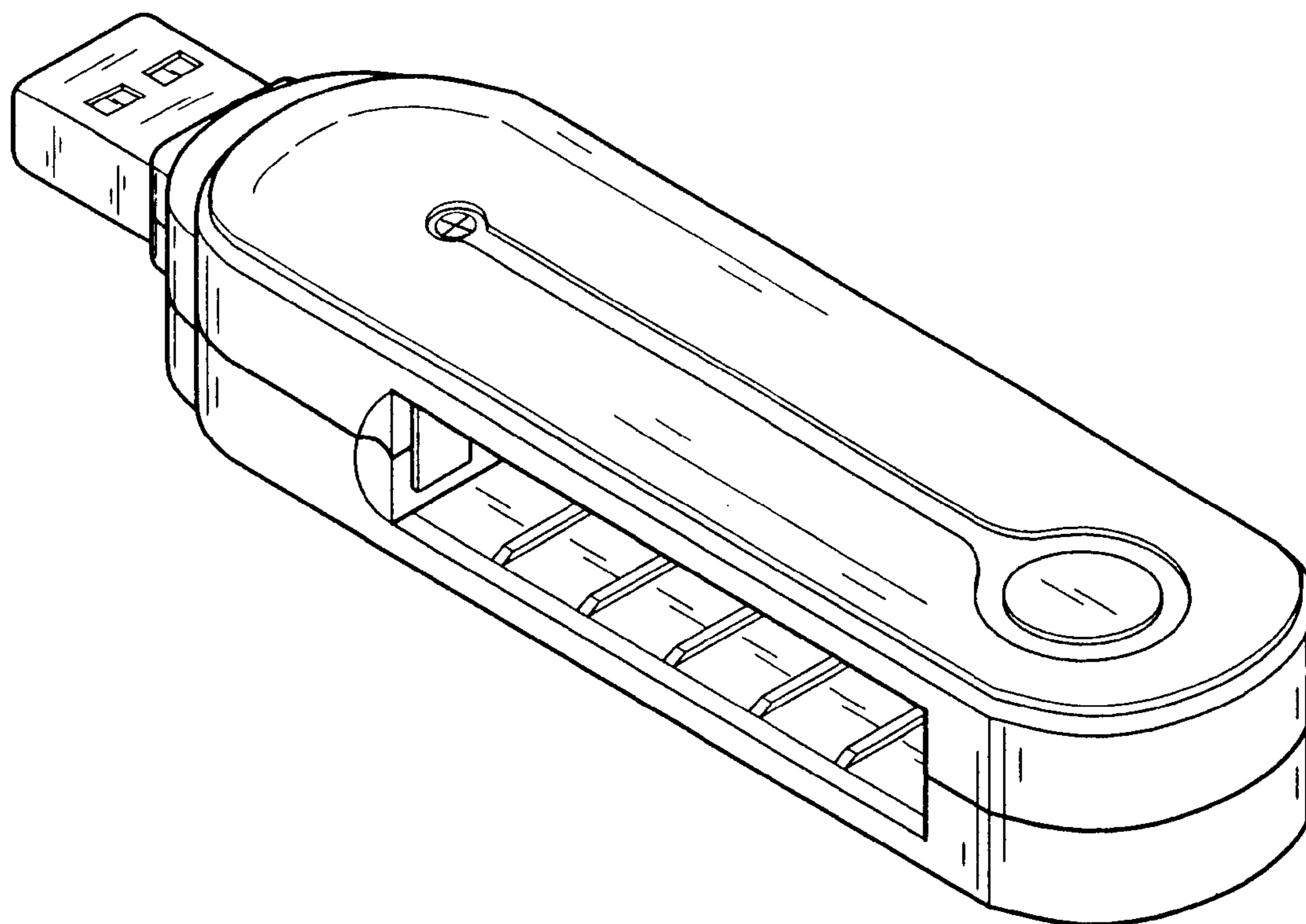
(57) **CLAIM**

The ornamental design for a USB battery charger, as shown and described.

DESCRIPTION

FIG. 1 is a left perspective view of a USB battery charger showing my new design;
FIG. 2 is a right perspective view thereof;
FIG. 3 is a front elevational view thereof;
FIG. 4 is a rear elevational view thereof;
FIG. 5 is a left side elevational view thereof;
FIG. 6 is a right side elevational view thereof;
FIG. 7 is a top plan view thereof;
FIG. 8 is a bottom plan view thereof; and,
FIG. 9 is a perspective view of the design, showing the use thereof.
The broken line showing is included for the purpose of illustrating environment features and forms no part of the claimed design.

1 Claim, 5 Drawing Sheets



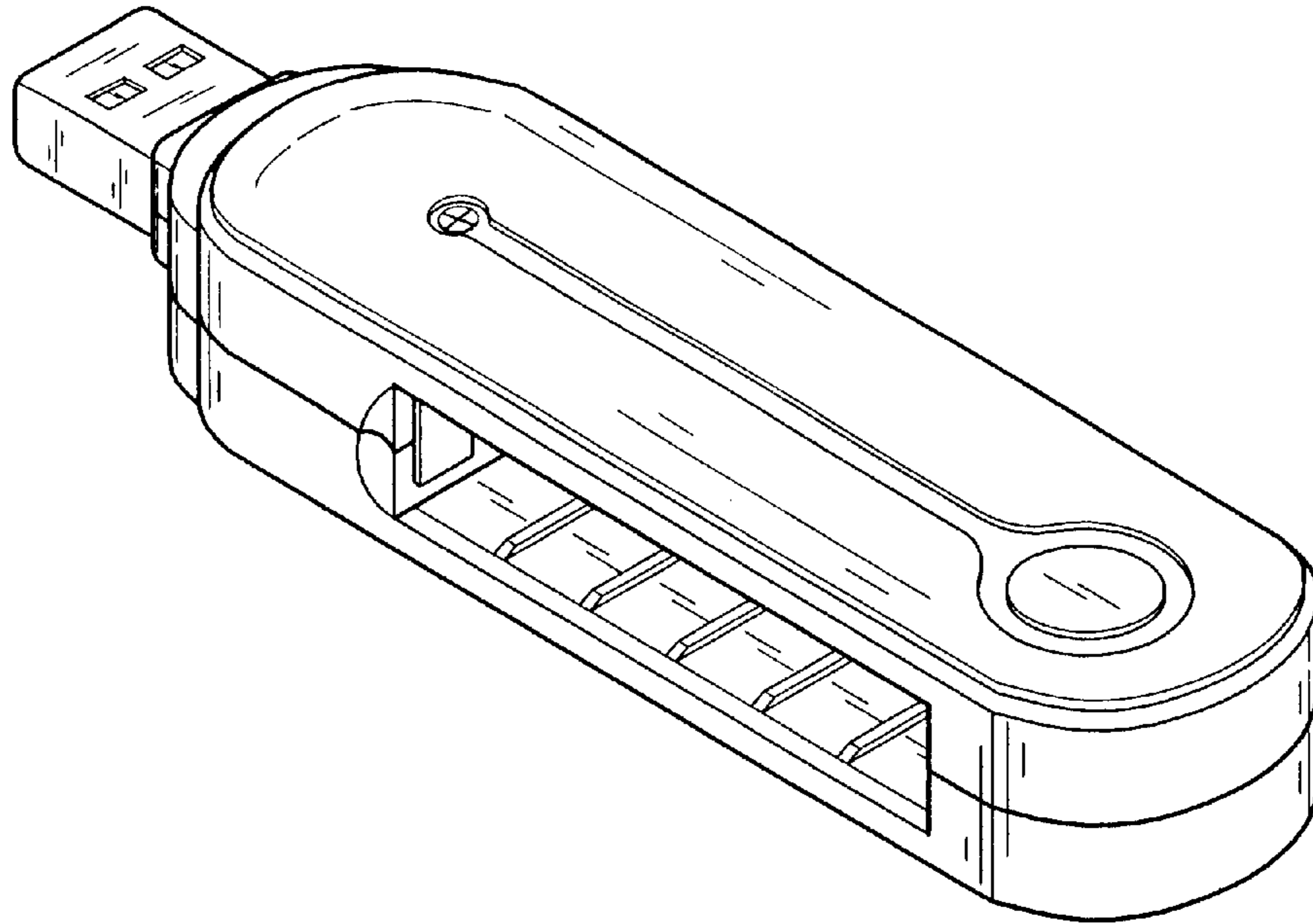


FIG.1

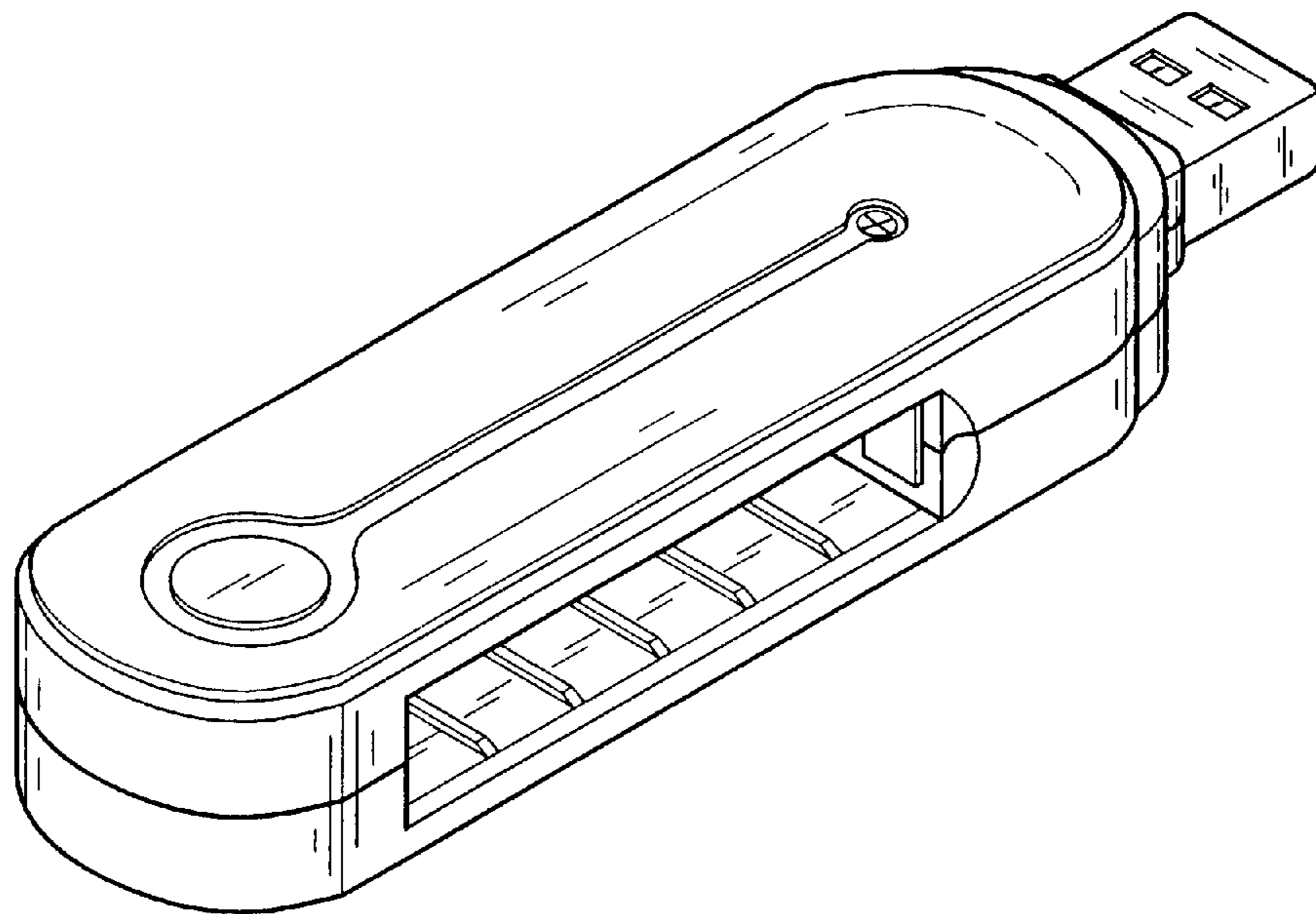


FIG.2

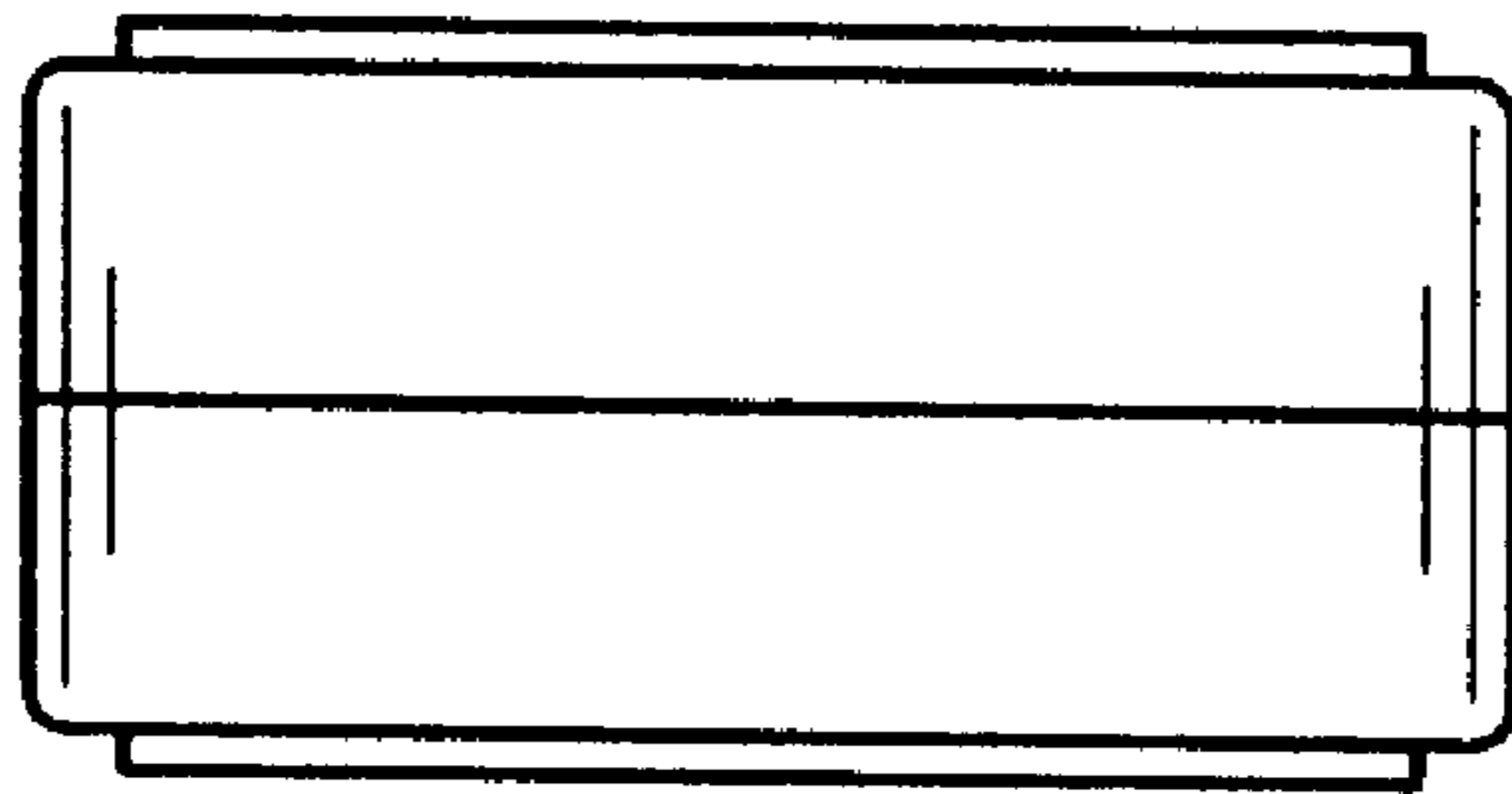


FIG. 3

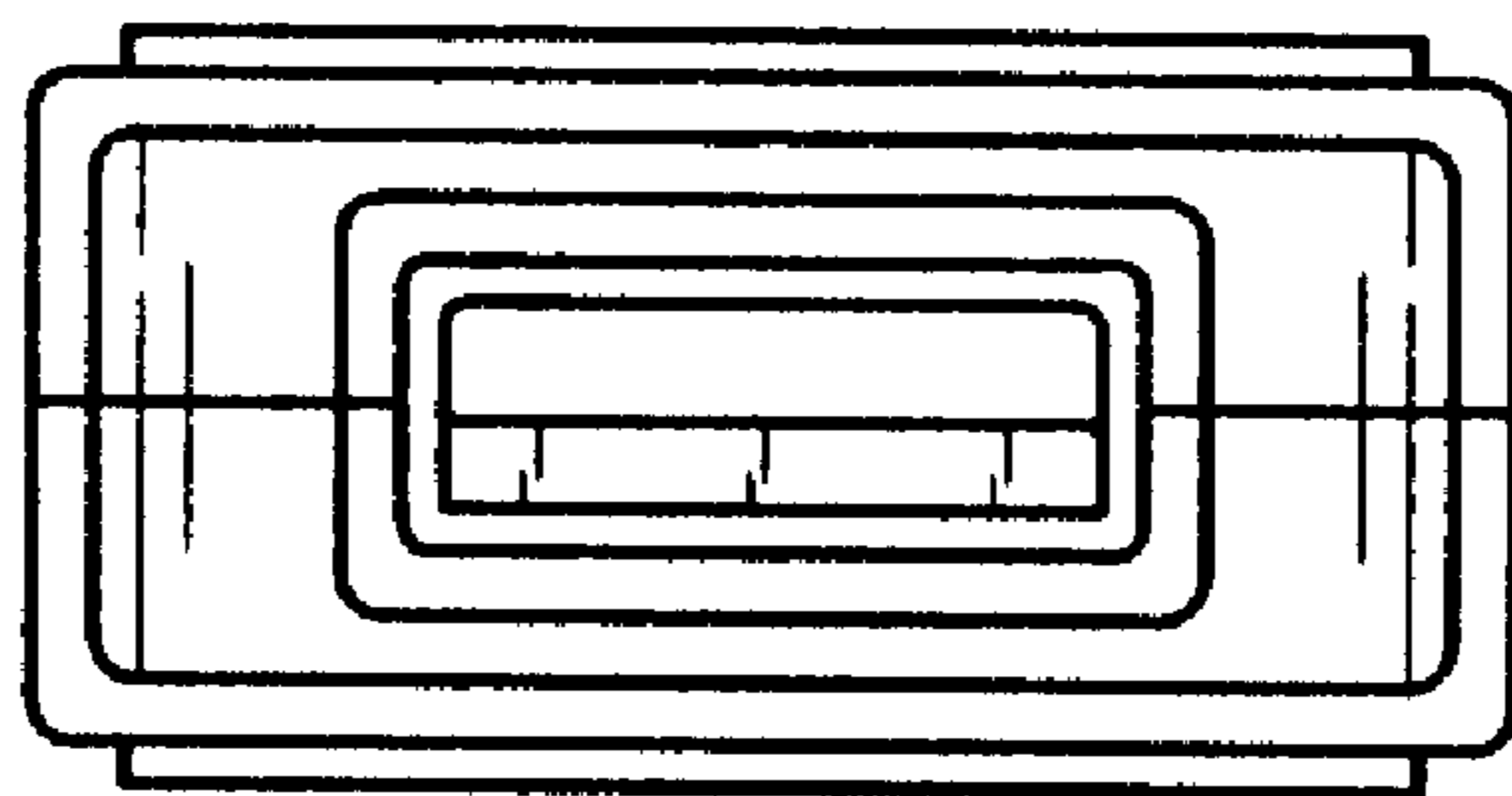


FIG. 4

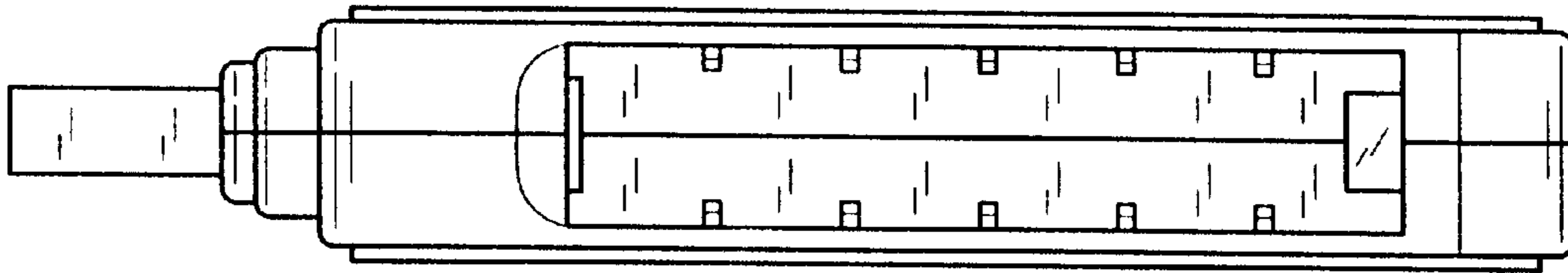


FIG. 5

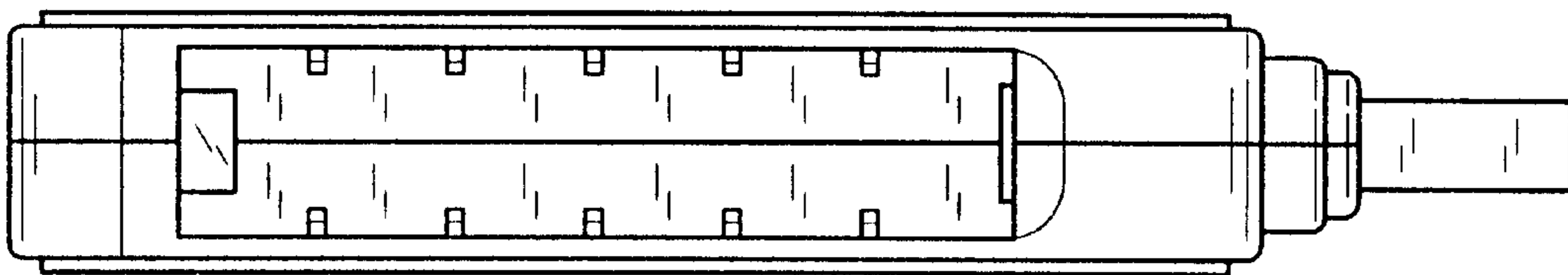


FIG. 6

FIG.7

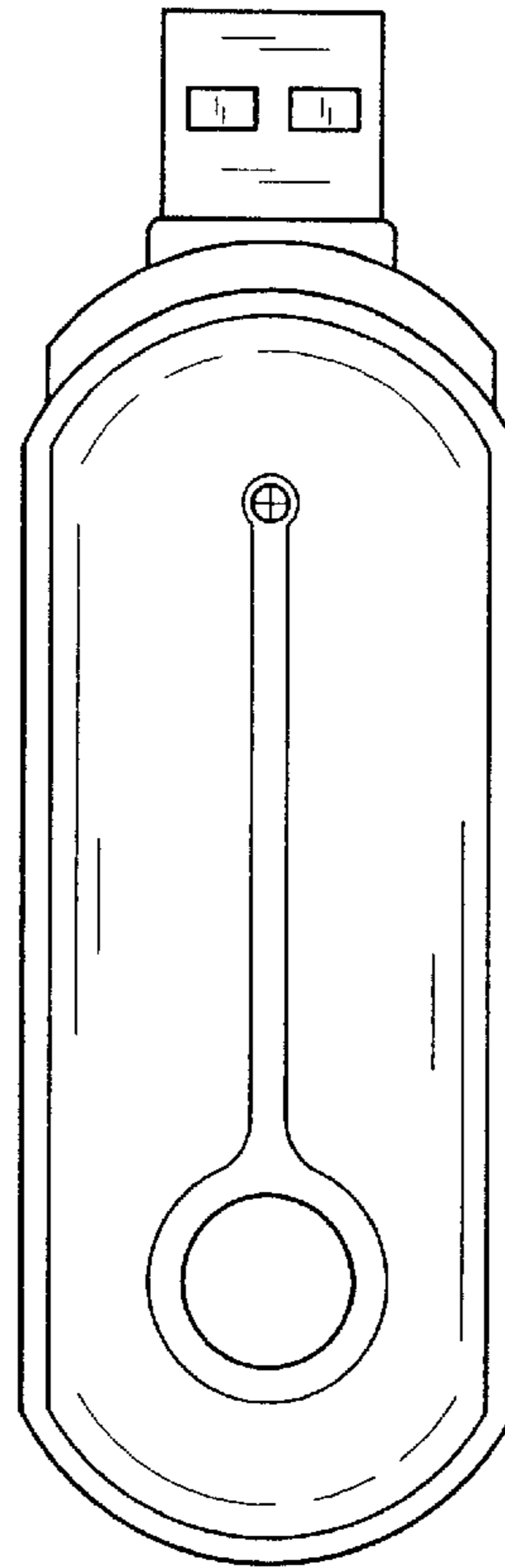
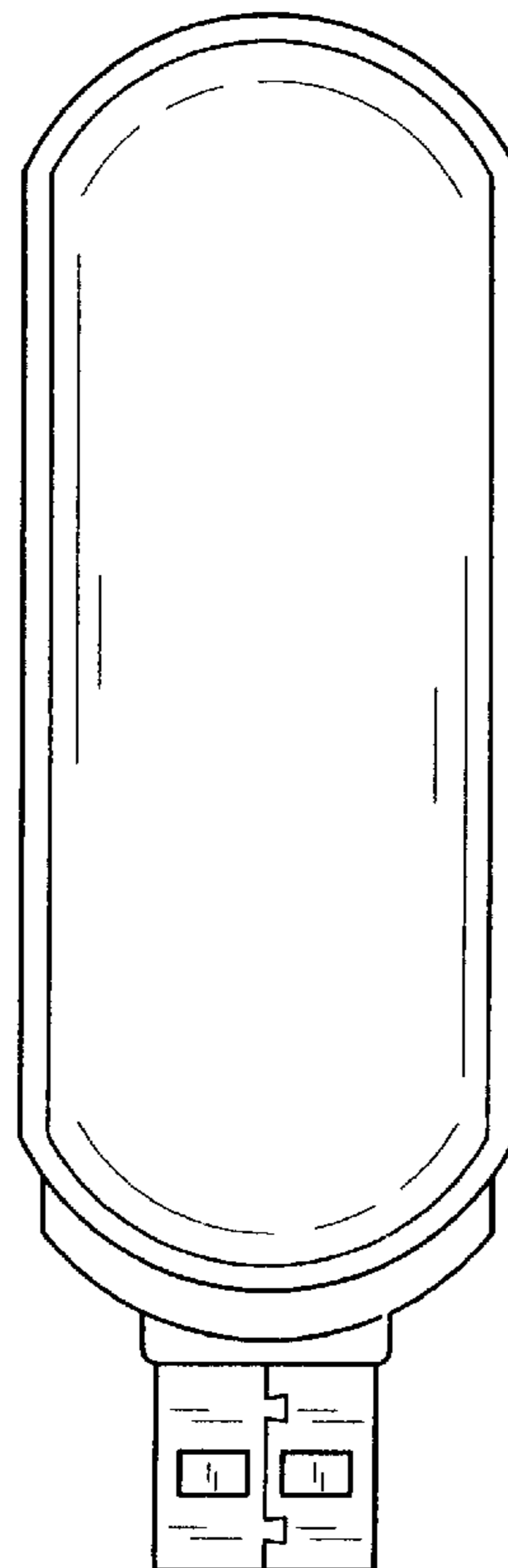


FIG.8



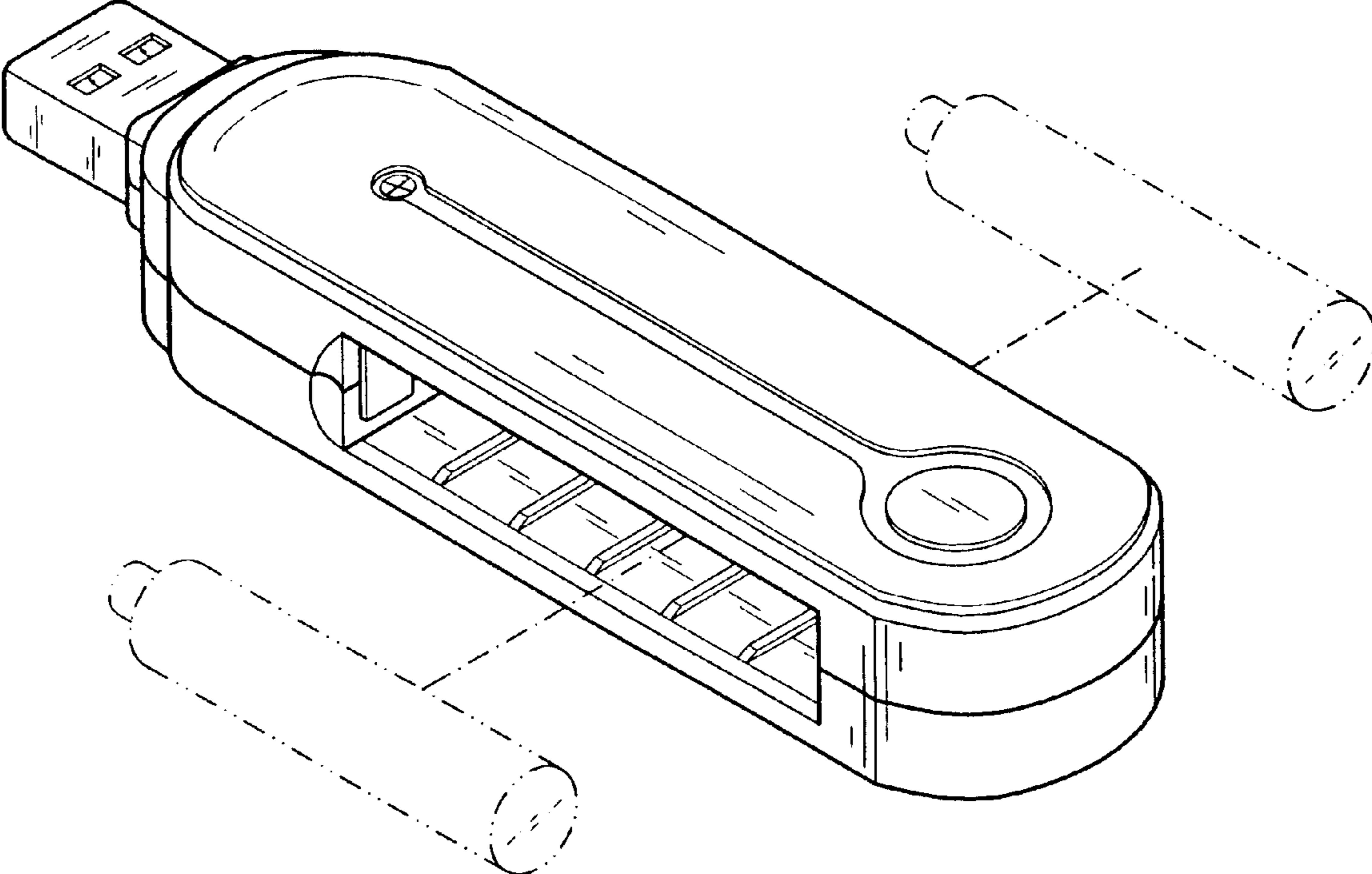


FIG.9