



US00D538222S

(12) **United States Design Patent**  
**Curello et al.**

(10) **Patent No.:** **US D538,222 S**  
(45) **Date of Patent:** **\*\* Mar. 13, 2007**

(54) **FUEL SUPPLY FOR FUEL CELLS**  
(75) Inventors: **Andrew J Curello**, Hamden, CT (US);  
**Ken Cooper**, Orange, CT (US);  
**Constance R Stepan**, Oxford, CT (US)

(73) Assignee: **Societe BIC**, Clichy Cedex (FR)

(\*\*) Term: **14 Years**

(21) Appl. No.: **29/247,270**

(22) Filed: **Jun. 9, 2006**

**Related U.S. Application Data**

(62) Division of application No. 29/205,092, filed on May 7, 2004.

(51) **LOC (8) Cl.** ..... **13-02**

(52) **U.S. Cl.** ..... **D13/103**

(58) **Field of Classification Search** ..... D13/102-106,  
D13/110, 118-119, 184; 429/96-100, 163,  
429/176

See application file for complete search history.

(56) **References Cited**

**U.S. PATENT DOCUMENTS**

D240,630 S	7/1976	Matsutani
D269,088 S	5/1983	Genaro
D323,642 S	2/1992	Liao
D329,634 S	9/1992	Mizusugi
D335,277 S	5/1993	Hattori
D363,055 S	10/1995	Kobayashi
D402,641 S	12/1998	Heijnen
D412,486 S	8/1999	Gray
D417,861 S	12/1999	Maeyama

D431,808 S	10/2000	Ogasawara	
D477,275 S	7/2003	Wada	
6,610,443 B2	8/2003	Paulot	
6,977,124 B2 *	12/2005	Probst et al.	429/163
D516,019 S *	2/2006	Ohsako et al.	D13/103
D517,475 S *	3/2006	Yokota	D13/103
D517,982 S *	3/2006	Rad et al.	D13/103
D519,919 S *	5/2006	Yokota	D13/103
D520,502 S *	5/2006	Xu et al.	D14/356
D520,994 S *	5/2006	Weiher et al.	D14/356
D521,449 S *	5/2006	Yokota	D13/103
2004/0062985 A1	4/2004	Aamodt	

**FOREIGN PATENT DOCUMENTS**

KR 3001644340002 12/1998

\* cited by examiner

*Primary Examiner*—Alan P. Douglas

*Assistant Examiner*—Rosemary K. Tarcza

(74) *Attorney, Agent, or Firm*—The H.T. Than Law Group

(57) **CLAIM**

The ornamental design for a fuel supply for fuel cells, as shown and described.

**DESCRIPTION**

FIG. 1 is a perspective view of a fuel supply showing our new design;

FIG. 2 is a top view thereof;

FIG. 3 is a bottom view thereof;

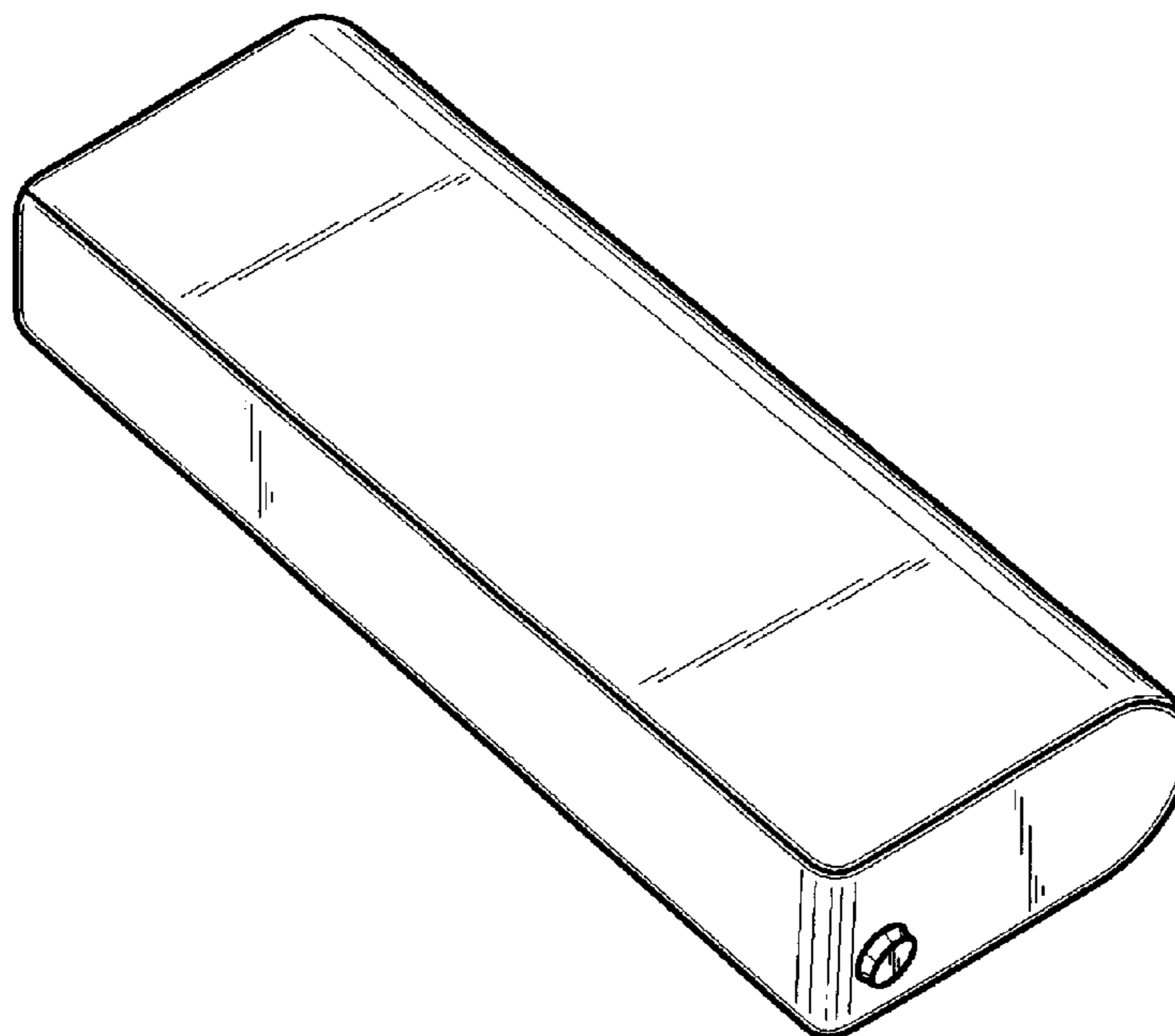
FIG. 4 is a front view thereof;

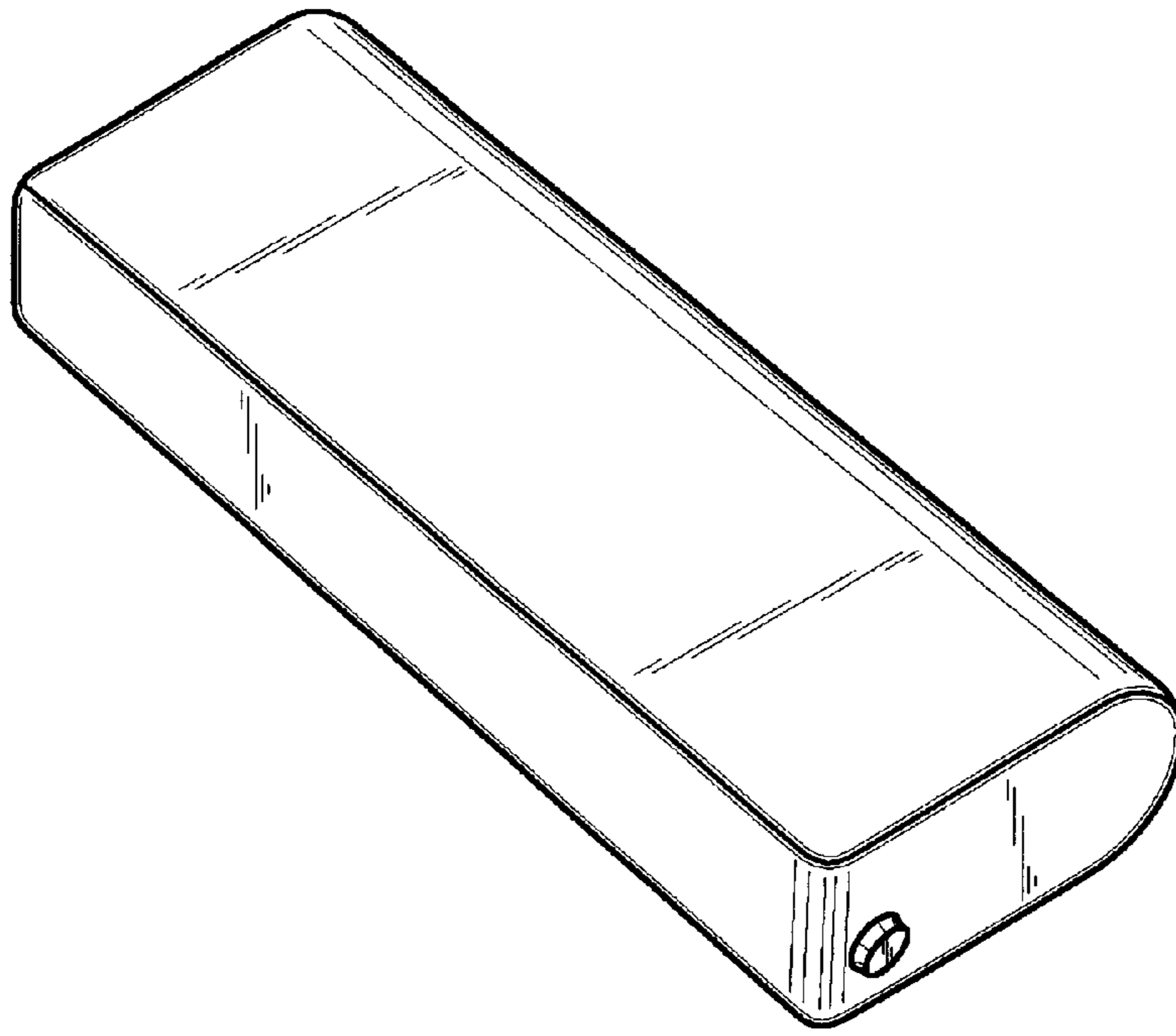
FIG. 5 is a back view thereof;

FIG. 6 is an end view thereof; and,

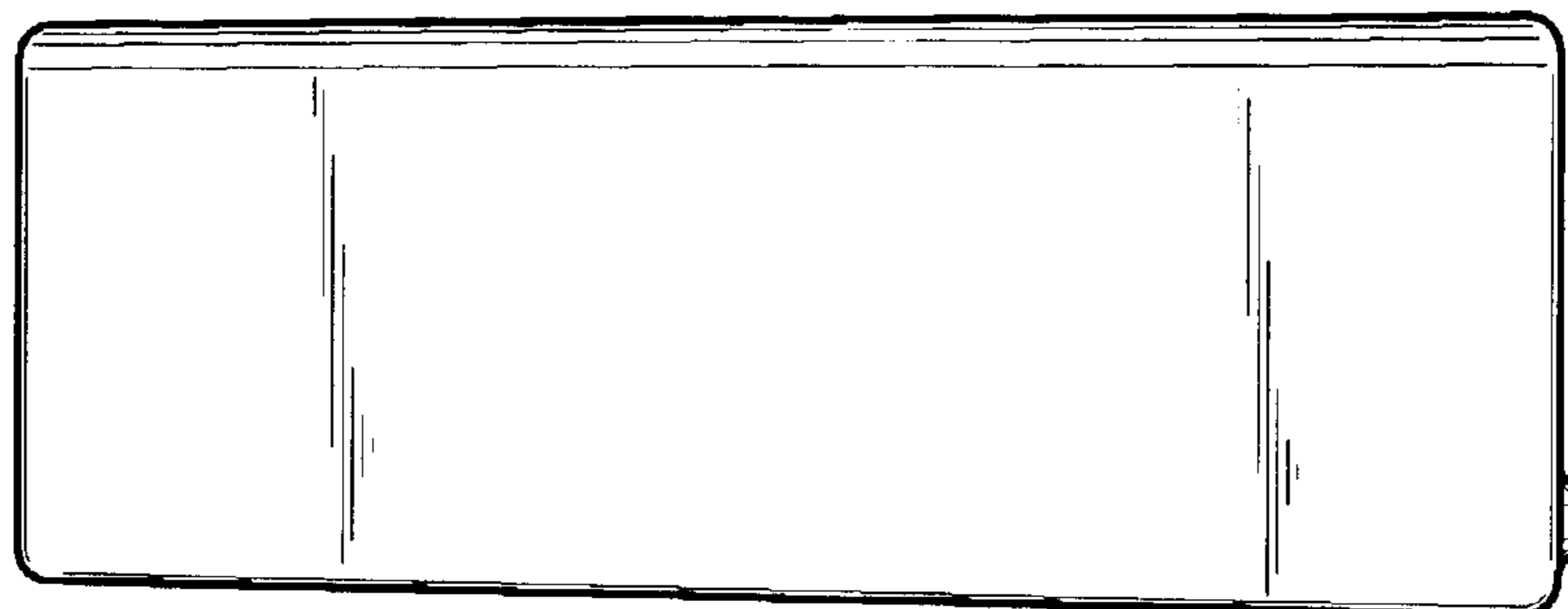
FIG. 7 is the other end view thereof.

**1 Claim, 3 Drawing Sheets**

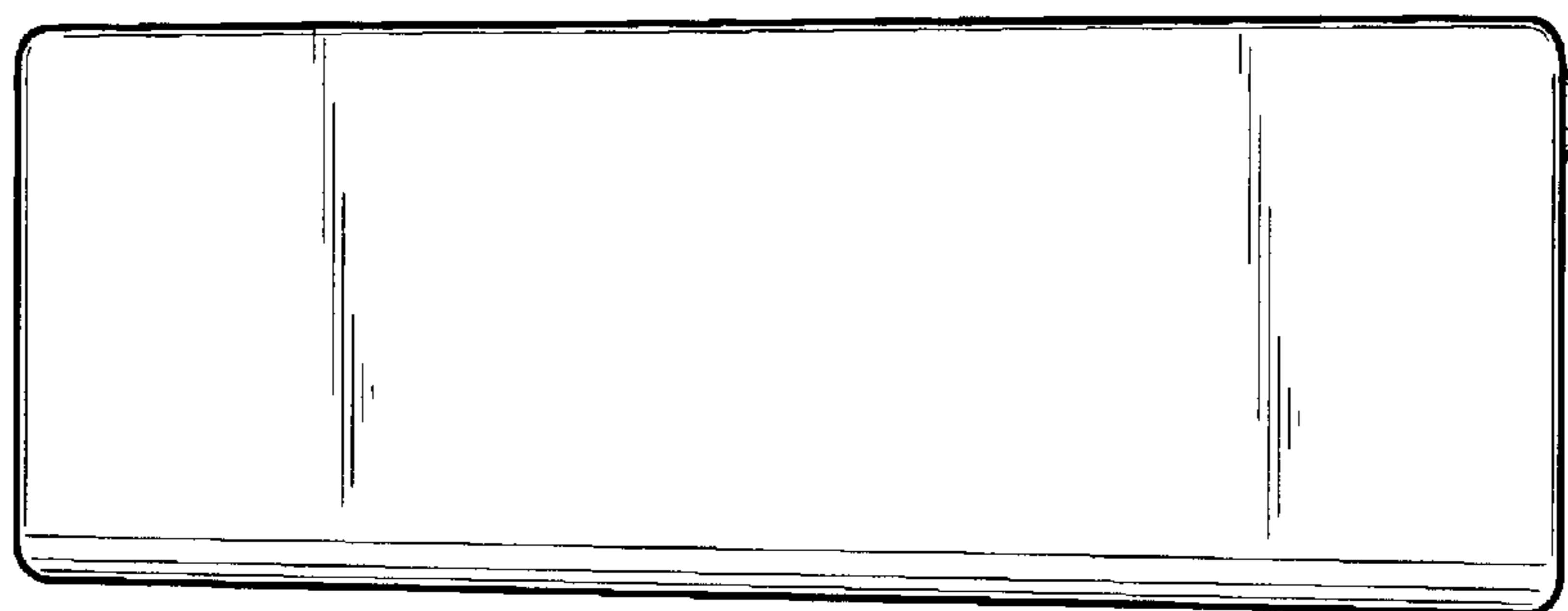




*Fig. 1*



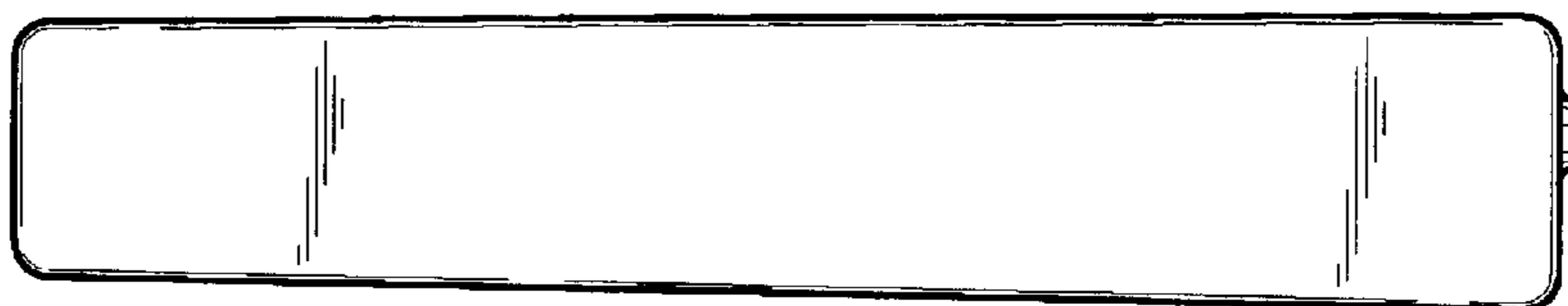
*Fig. 2*



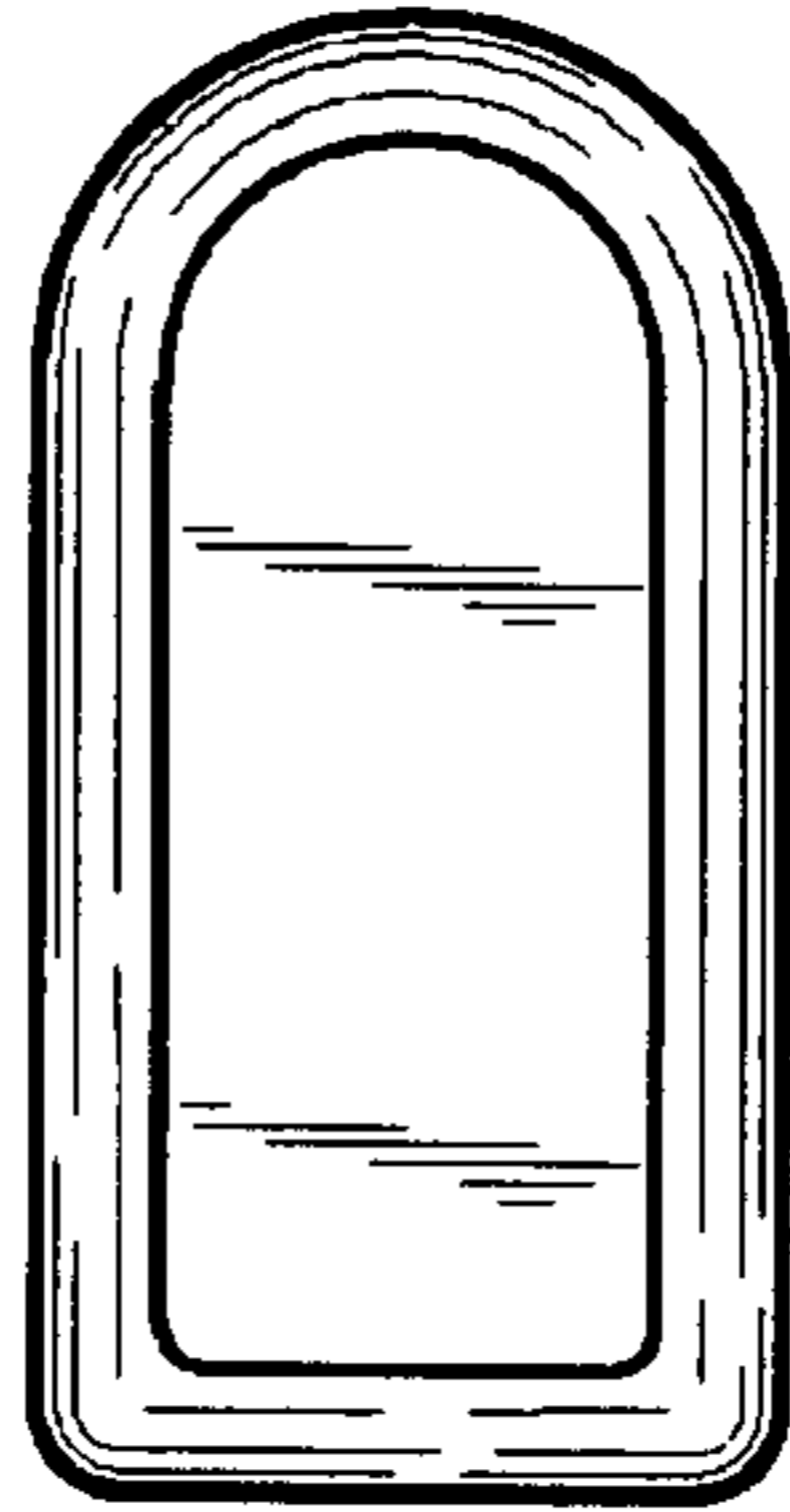
*Fig. 3*



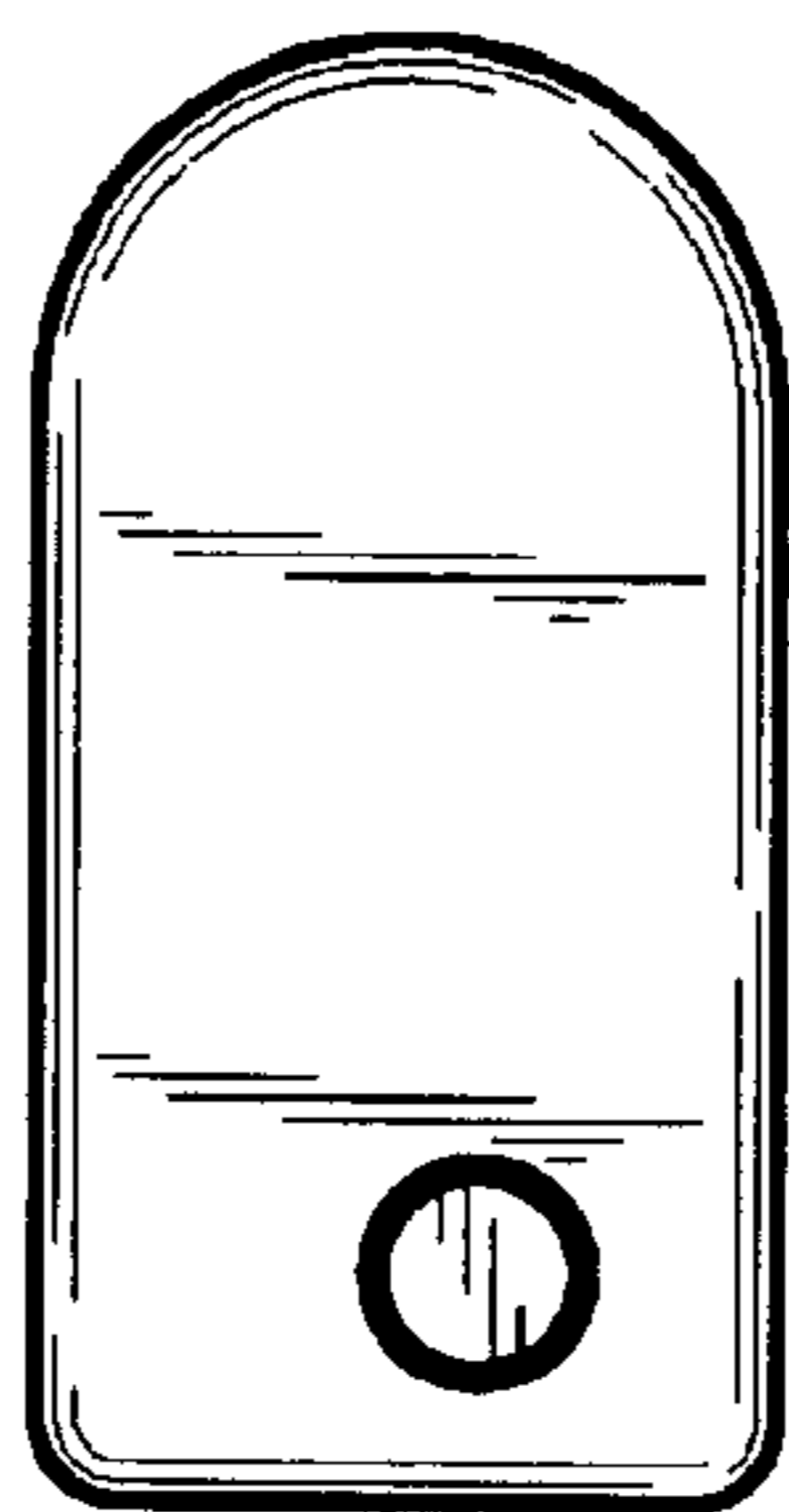
*Fig. 4*



*Fig. 5*



*Fig. 6*



*Fig. 7*