



US00D538219S

(12) **United States Design Patent**
Rakow

(10) **Patent No.:** **US D538,219 S**

(45) **Date of Patent:** **** Mar. 13, 2007**

- (54) **TRUCK AND TRAILER RAIL**
- (75) Inventor: **Robert F. Rakow**, Mequon, WI (US)
- (73) Assignee: **Victory Twin Rails, LLC**,
Germantown, WI (US)
- (**) Term: **14 Years**
- (21) Appl. No.: **29/225,550**
- (22) Filed: **Mar. 17, 2005**
- (51) **LOC (8) Cl.** **12-16**
- (52) **U.S. Cl.** **D12/414**
- (58) **Field of Classification Search** D12/406,
D12/412, 414; D25/38, 43, 119-125; 224/309-310;
410/101-106, 97, 150, 115, 108-110; 296/32,
296/36, 3, 40; 248/499, 503
See application file for complete search history.

- D299,017 S * 12/1988 Renn et al. D12/414
- D320,181 S * 9/1991 Sparham et al. D12/414
- D515,496 S * 2/2006 Rakow D12/414
- D519,440 S * 4/2006 Rakow D12/414

* cited by examiner

Primary Examiner—Stacia Cadmus

(74) *Attorney, Agent, or Firm*—Andrus, Scales, Starke & Sawall

(57) **CLAIM**

The ornamental design for a truck and trailer rail, as shown and described.

DESCRIPTION

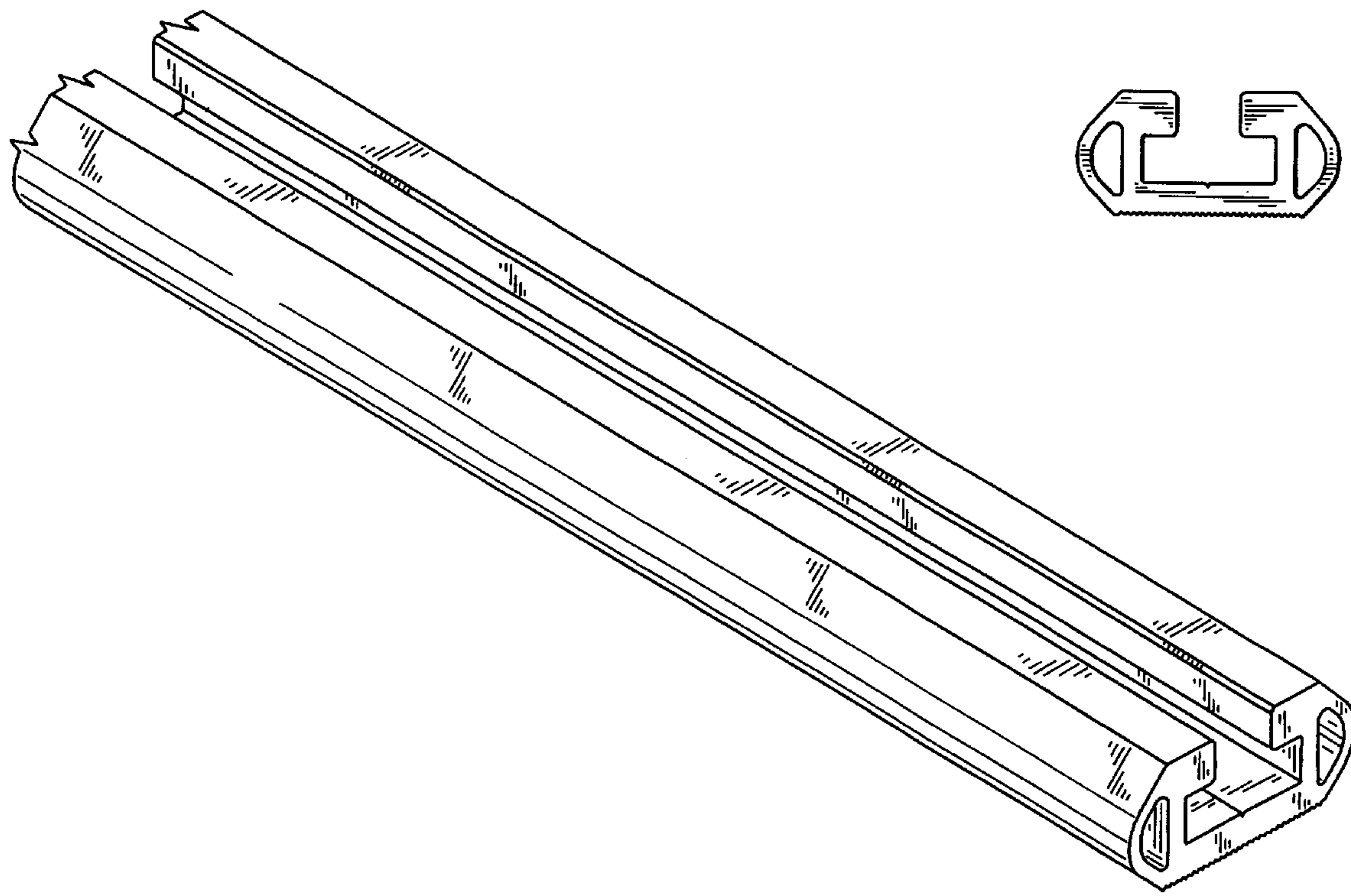
FIG. 1 is an enlarged perspective view of a truck and trailer rail showing my new design;
FIG. 2 is an end view thereof;
FIG. 3 is a top plan view thereof;
FIG. 4 is a left and right side elevational view thereof; and,
FIG. 5 is a bottom plan view thereof.

(56) **References Cited**

U.S. PATENT DOCUMENTS

- D295,619 S * 5/1988 Reeve D12/414

1 Claim, 2 Drawing Sheets



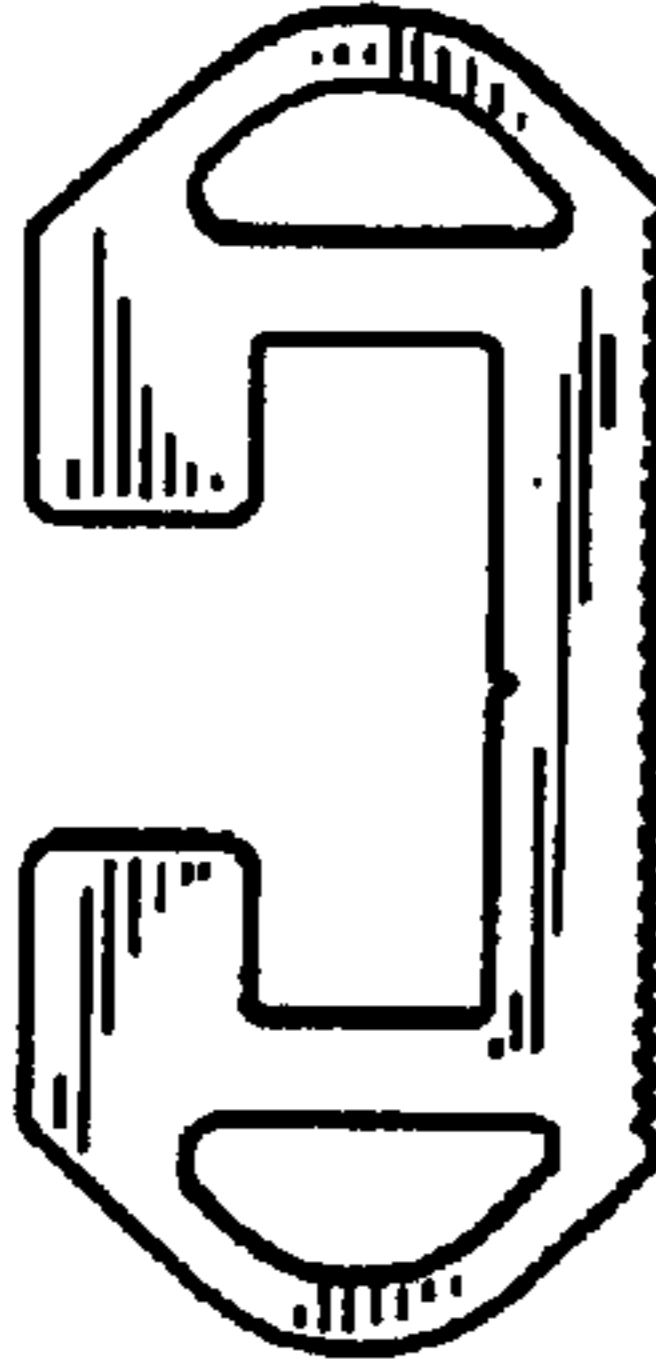


FIG. 2

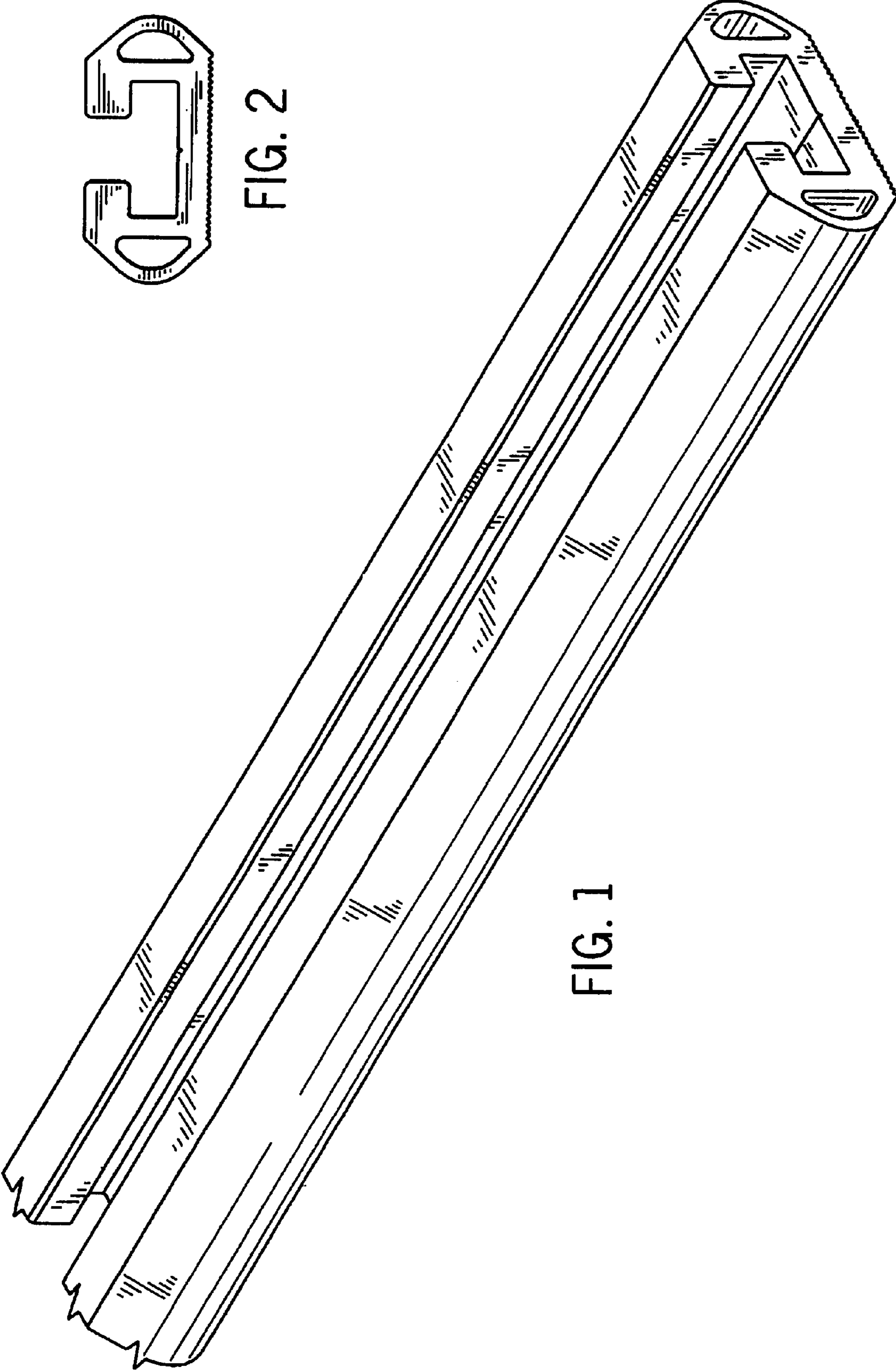


FIG. 1

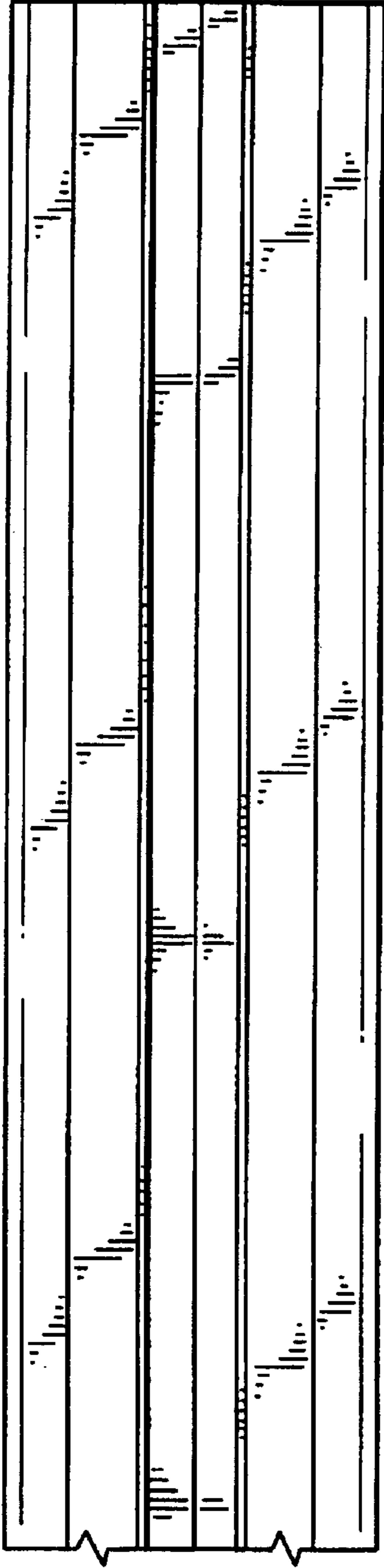


FIG. 3

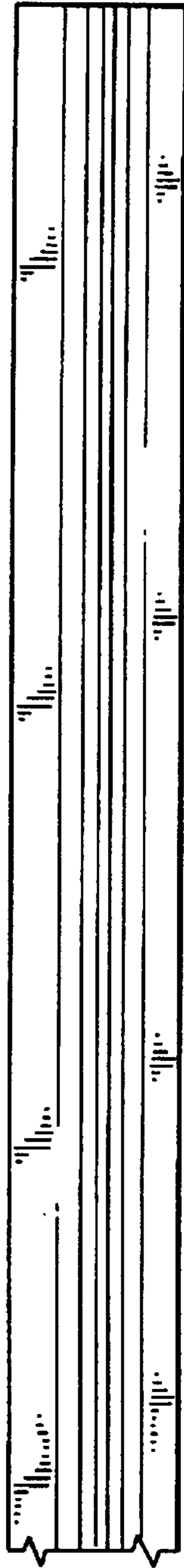


FIG. 4

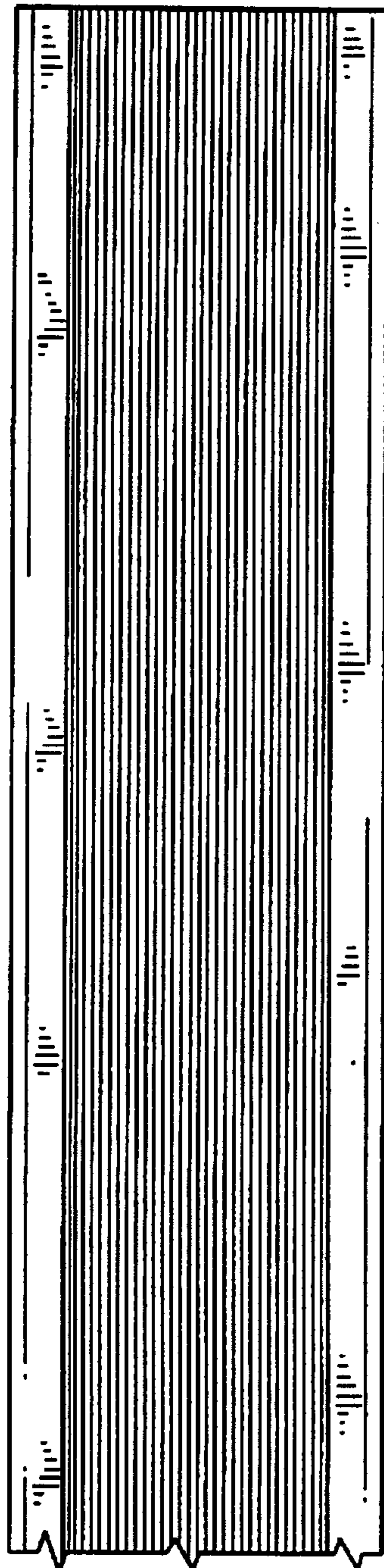


FIG. 5