



US00D538216S

(12) **United States Design Patent**
Sycha

(10) **Patent No.:** **US D538,216 S**

(45) **Date of Patent:** **** Mar. 13, 2007**

(54) **FRONT FACE OF A VEHICLE WHEEL**

(75) Inventor: **Thomas Peter Sycha**, Munich (DE)

(73) Assignee: **Bayerische Motoren Werke Aktiengesellschaft**, Munich (DE)

(**) Term: **14 Years**

(21) Appl. No.: **29/265,350**

(22) Filed: **Aug. 31, 2006**

(30) **Foreign Application Priority Data**

Mar. 1, 2006 (DE) 4 06 01 173

(51) **LOC (8) Cl.** **12-16**

(52) **U.S. Cl.** **D12/209**

(58) **Field of Classification Search** D12/204-213;
301/37.101, 64.101, 65

See application file for complete search history.

(56) **References Cited**

U.S. PATENT DOCUMENTS

D422,258 S	*	4/2000	Hale, Jr.	D12/211
D432,974 S	*	10/2000	Jablonski	D12/211
D437,819 S	*	2/2001	Brown et al.	D12/209
D458,887 S	*	6/2002	Kataoka	D12/209
D460,037 S	*	7/2002	Takechi	D12/211
D467,855 S	*	12/2002	Laengerer	D12/209
D469,048 S	*	1/2003	van Hooydonk	D12/209

D470,448 S	*	2/2003	Kataoka	D12/211
D474,139 S	*	5/2003	Warming	D12/209
D475,960 S	*	6/2003	Chung	D12/209
D491,124 S	*	6/2004	Rice	D12/209
D491,871 S	*	6/2004	Kang	D12/209
D492,235 S		6/2004	Nordmann		
D503,668 S	*	4/2005	Boyer	D12/209
D504,648 S	*	5/2005	Pfeiffer	D12/209
D506,428 S	*	6/2005	Hussaini et al.	D12/209
D509,175 S	*	9/2005	Marji	D12/209
D512,007 S	*	11/2005	Sze	D12/209
D516,982 S	*	3/2006	Gallert	D12/209
D518,765 S	*	4/2006	Gabath	D12/209
D521,438 S	*	5/2006	Nordmann	D12/211
D528,958 S	*	9/2006	Kim	D12/209

* cited by examiner

Primary Examiner—Stacia Cadmus

(74) *Attorney, Agent, or Firm*—Crowell & Moring LLP

(57) **CLAIM**

The ornamental design for a front face of a vehicle wheel, as shown and described.

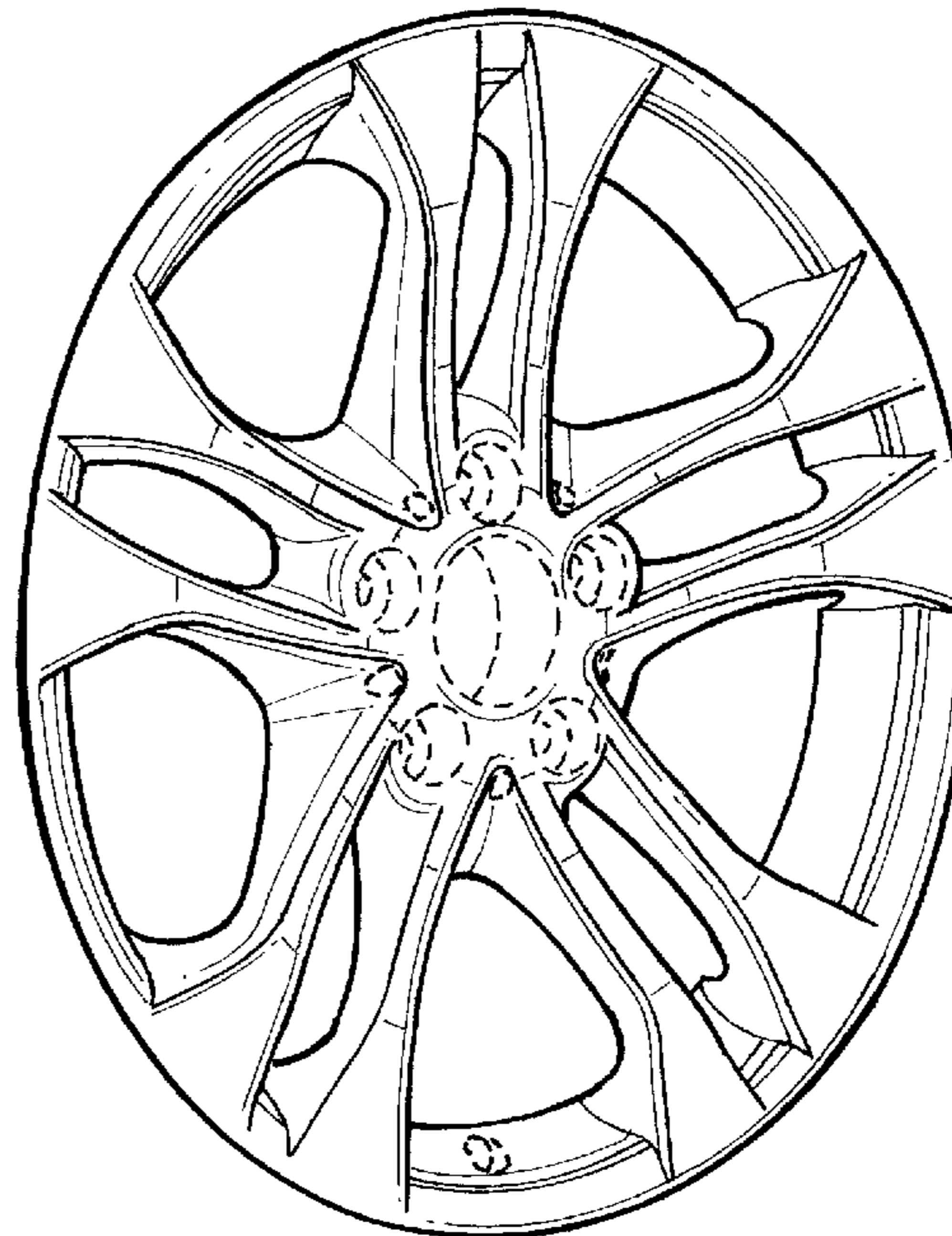
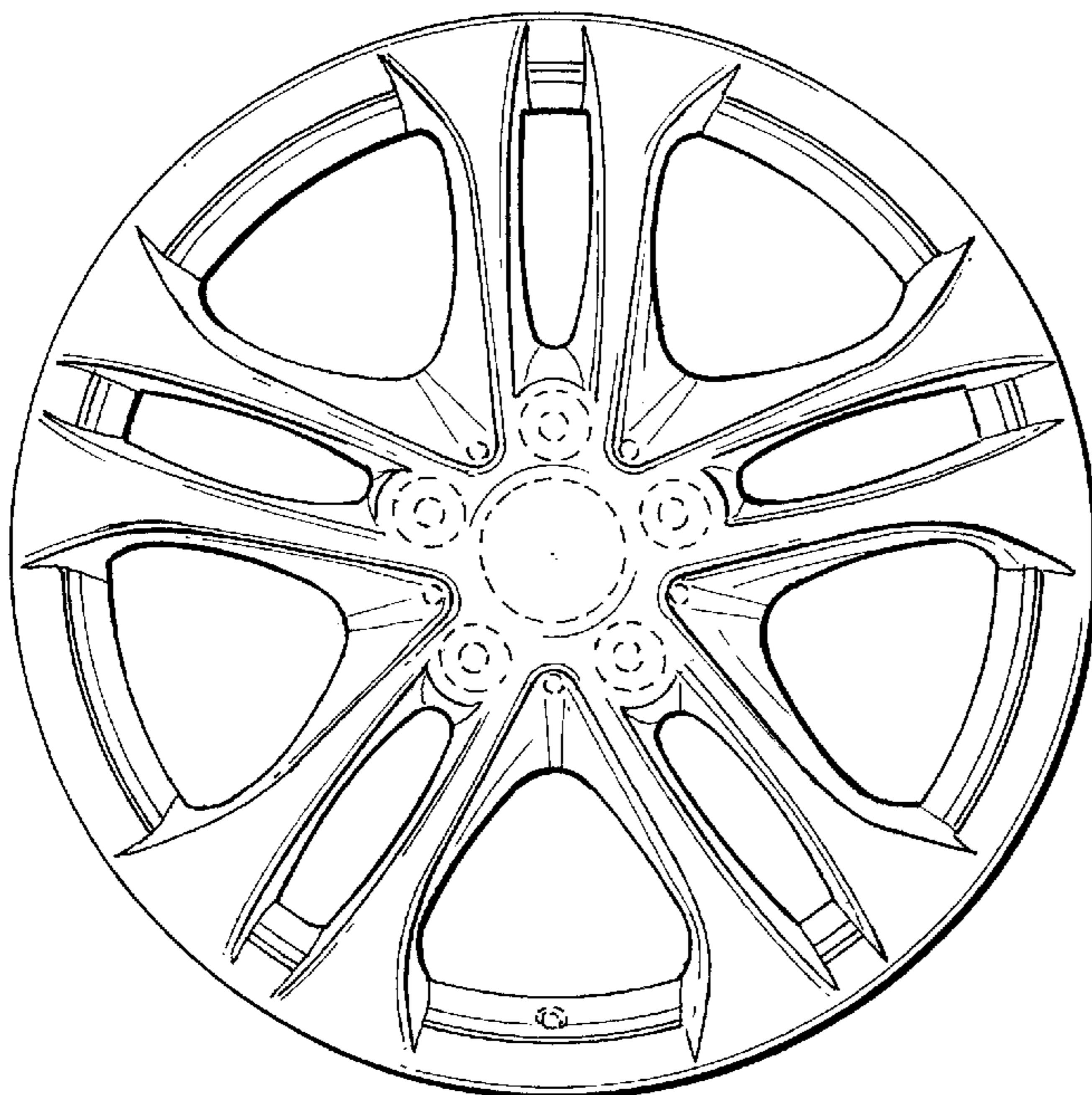
DESCRIPTION

FIG. 1 is a front view of a front face of a vehicle wheel according to my novel design; and,

FIG. 2 is a perspective view thereof.

The broken lines are for illustrative purposes only and form no part of the claimed design.

1 Claim, 1 Drawing Sheet



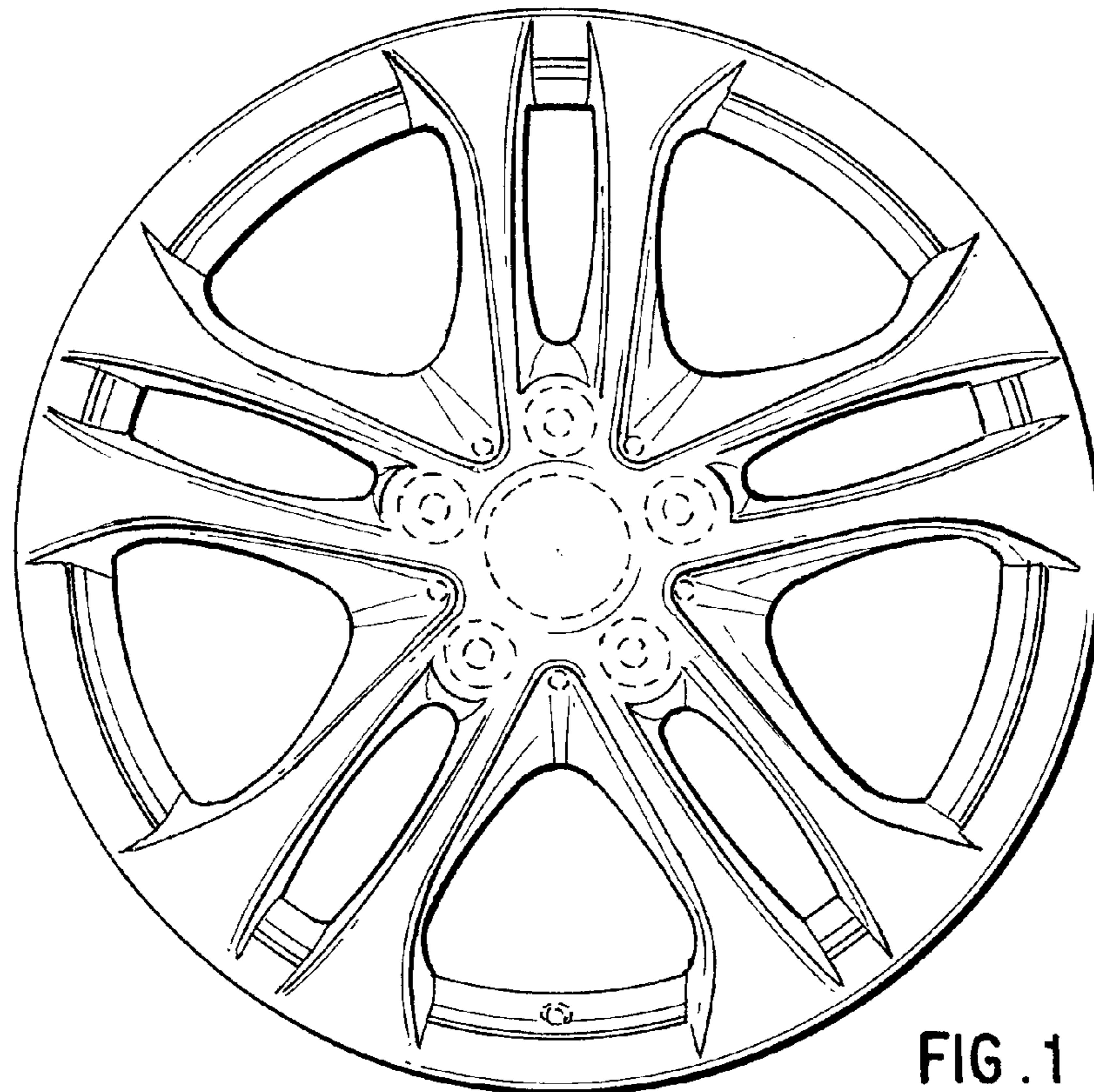


FIG. 1

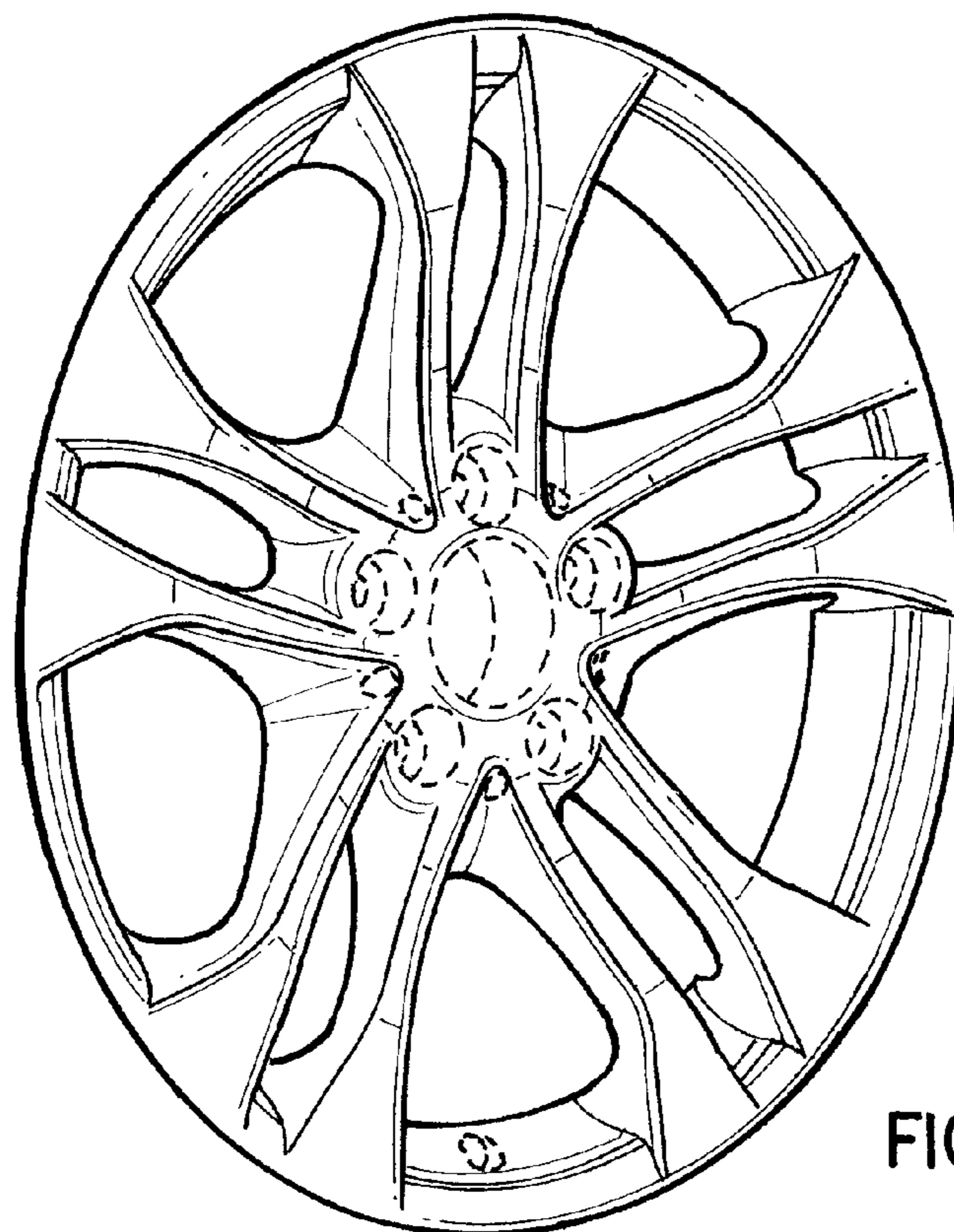


FIG. 2