



US00D538214S

(12) **United States Design Patent**  
**Conway et al.**

(10) **Patent No.:** **US D538,214 S**  
(45) **Date of Patent:** **\*\* Mar. 13, 2007**

(54) **HOOD ORNAMENT**

D422,958 S \* 4/2000 Conway et al. .... D12/197

(75) Inventors: **Scott M. Conway**, Flower Mound, TX (US); **Phillip J. Hall**, Denton, TX (US)

\* cited by examiner

*Primary Examiner*—Stacia Cadmus

(73) Assignee: **PACCAR Inc**, Bellevue, WA (US)

(74) *Attorney, Agent, or Firm*—Sidley Austin LLP

(\*\*) Term: **14 Years**

(57) **CLAIM**

The ornamental design for a hood ornament, as shown and described.

(21) Appl. No.: **29/265,419**

(22) Filed: **Aug. 31, 2006**

**DESCRIPTION**

(51) **LOC (8) Cl.** ..... **12-16**

FIG. 1 is a perspective view of a tractor-trailer showing the hood ornament of our new design;

(52) **U.S. Cl.** ..... **D12/197**

FIG. 2 is a perspective view of the hood ornament;

(58) **Field of Classification Search** ..... D12/197–201;  
40/411–413, 424–425; D11/162

FIG. 3 is a top view of the hood ornament;

See application file for complete search history.

FIG. 4 is a front view of the hood ornament;

FIG. 5 is a left side view of the hood ornament, the opposite side view being a mirror image of that shown; and,

FIG. 6 is a rear view of the hood ornament.

(56) **References Cited**

**U.S. PATENT DOCUMENTS**

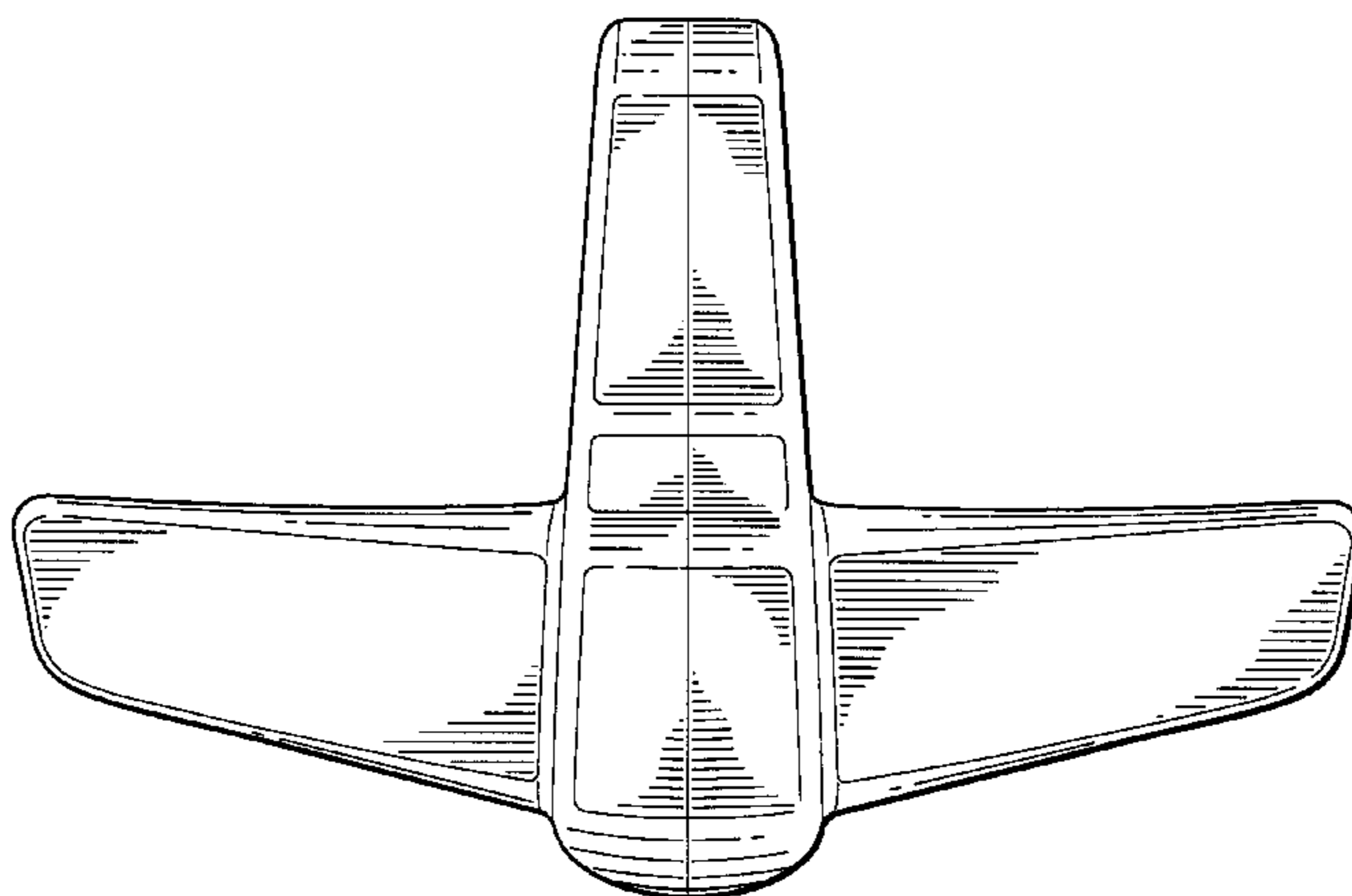
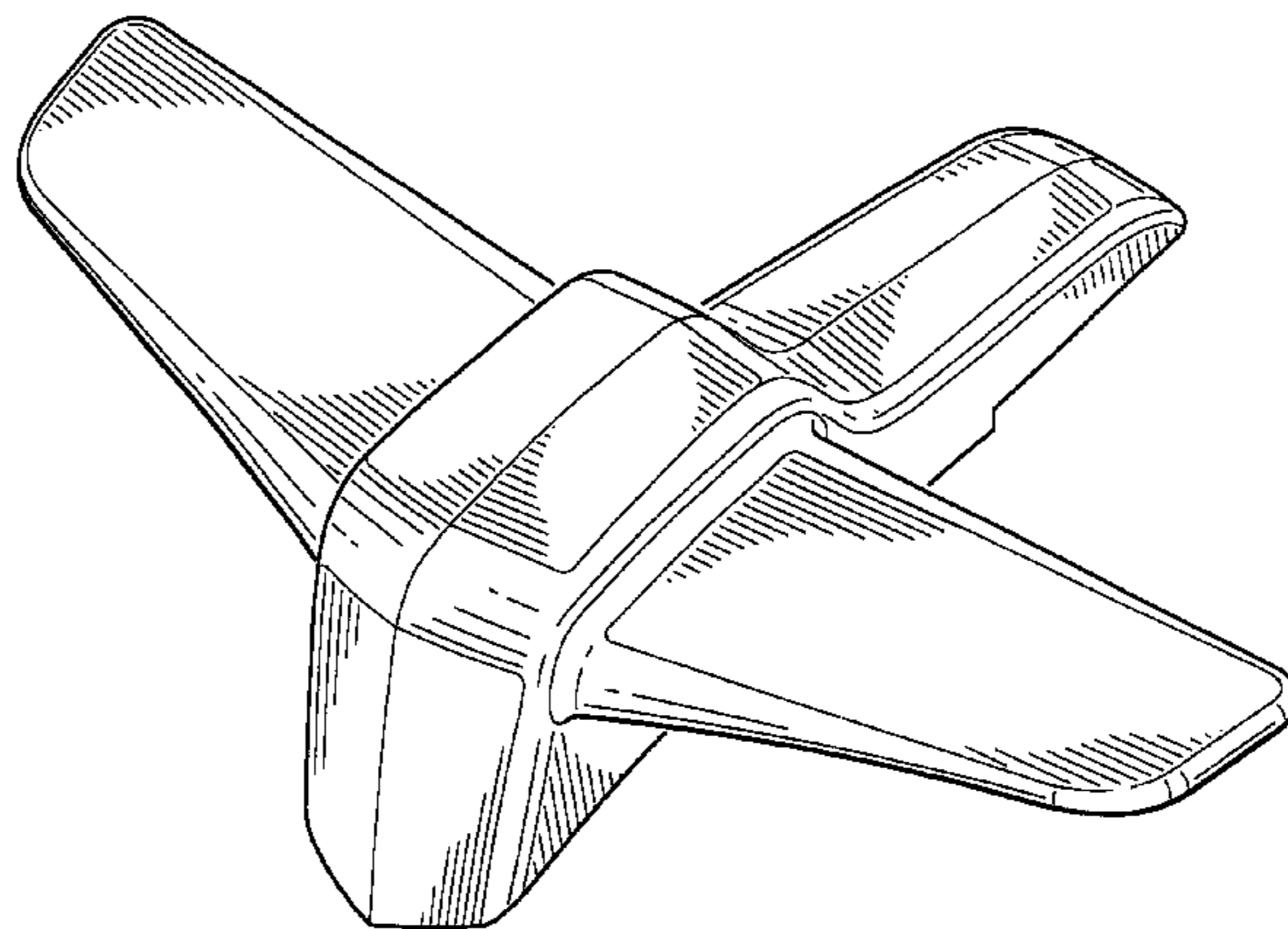
D102,007 S	*	11/1936	Sebek	.....	D12/199
D167,359 S	*	7/1952	King	.....	D12/201
D167,753 S	*	9/1952	Keane	.....	D12/201
D172,261 S	*	5/1954	Baird	.....	D12/201
D175,249 S	*	8/1955	Collier	.....	D12/201
D182,115 S	*	2/1958	Gitshlag	.....	D12/197

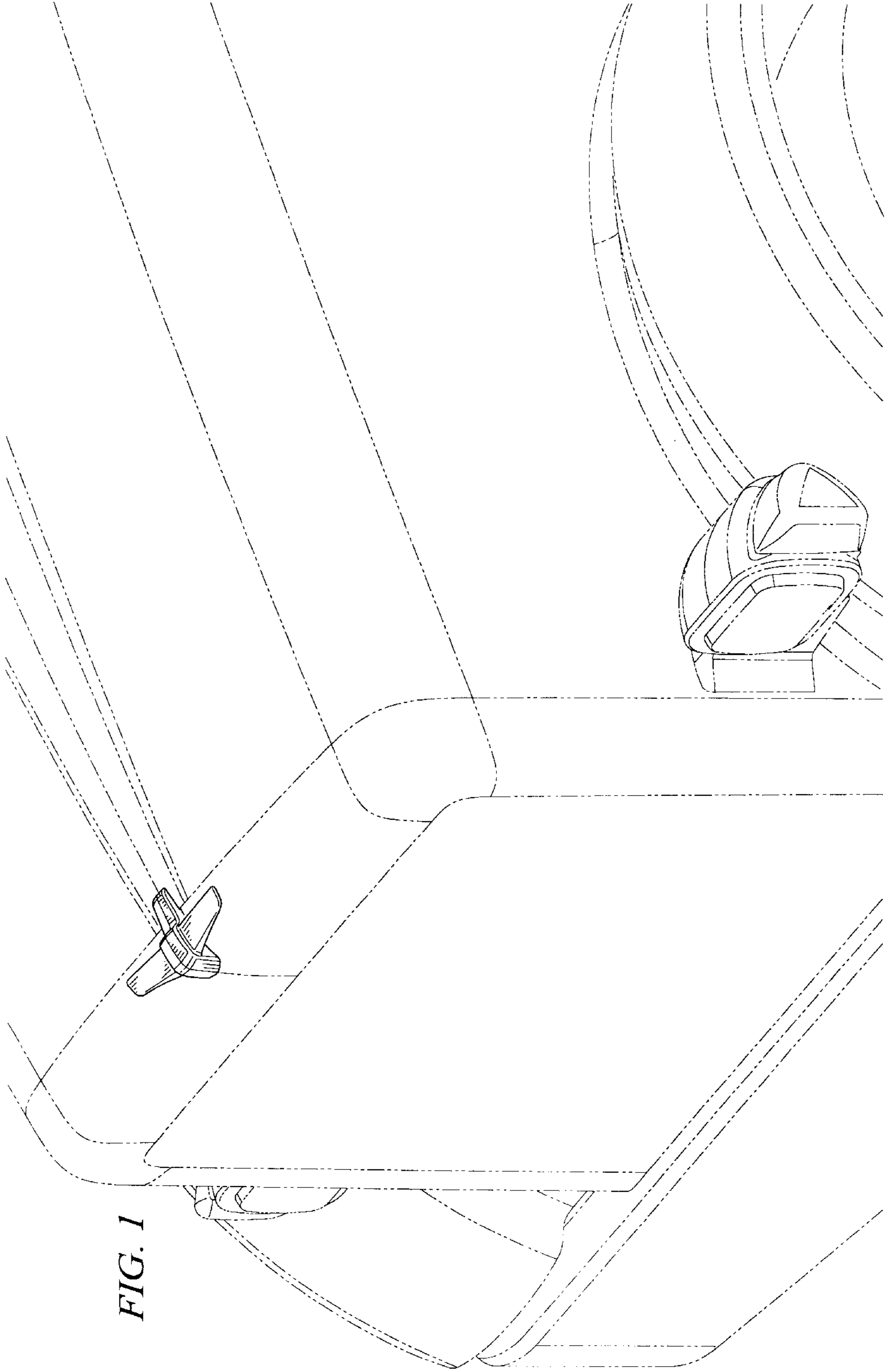
The bottom of the hood ornament is unornamented.

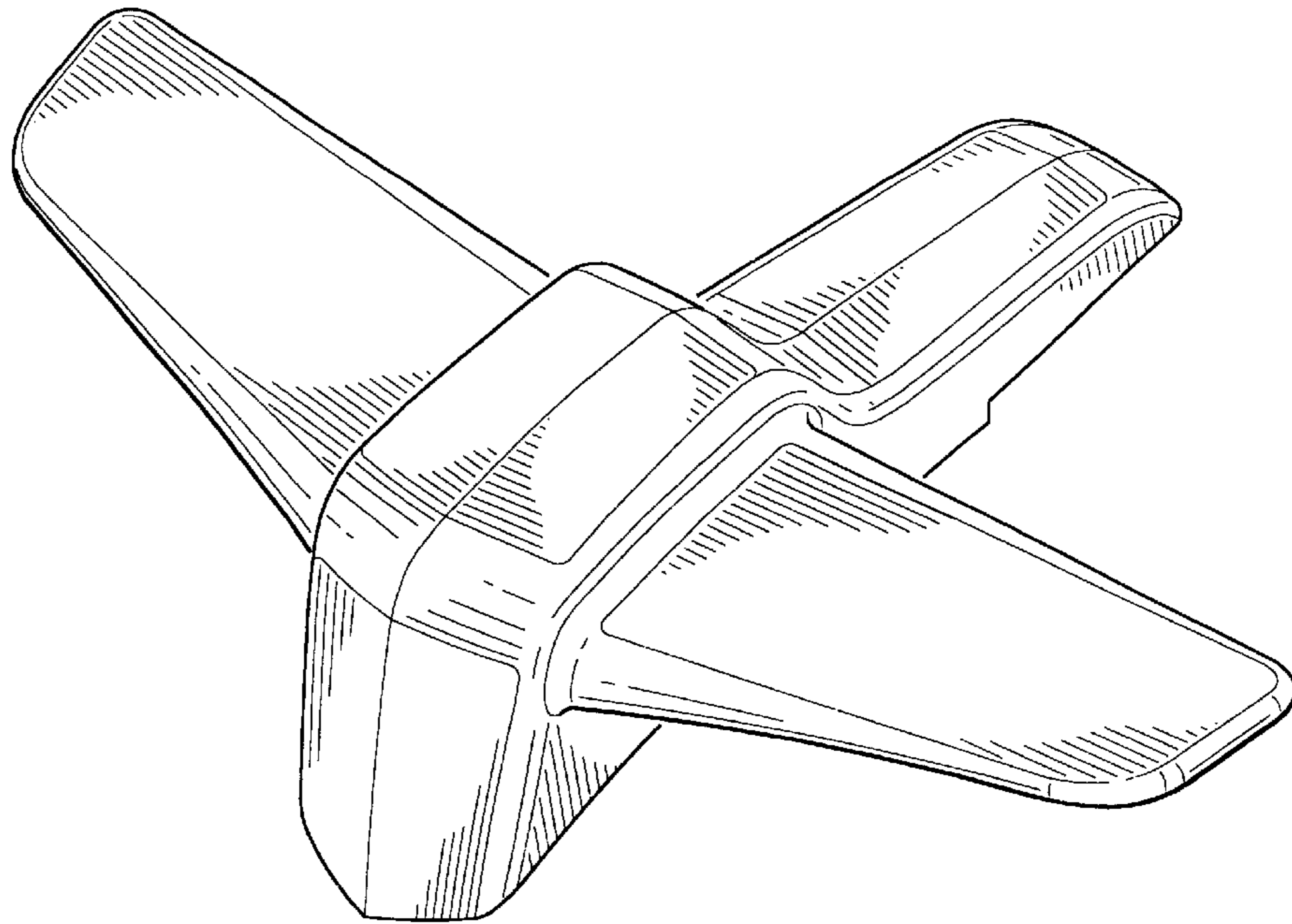
The broken line showing of a vehicle, in FIG. 1, depicts environment and is not part of the claimed design.

The hood ornament is shown on an enlarged scale in FIGS. 2–6.

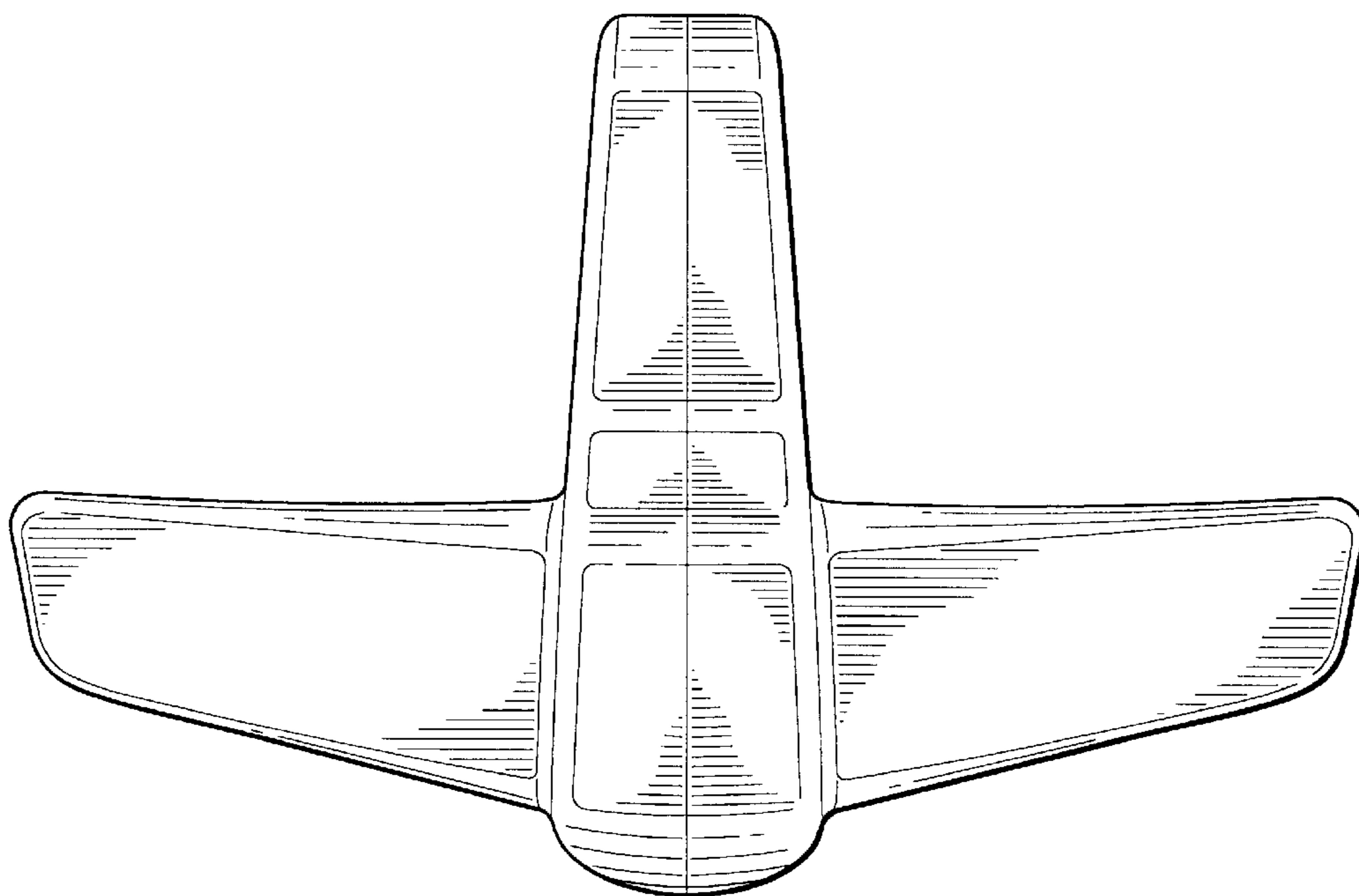
**1 Claim, 3 Drawing Sheets**



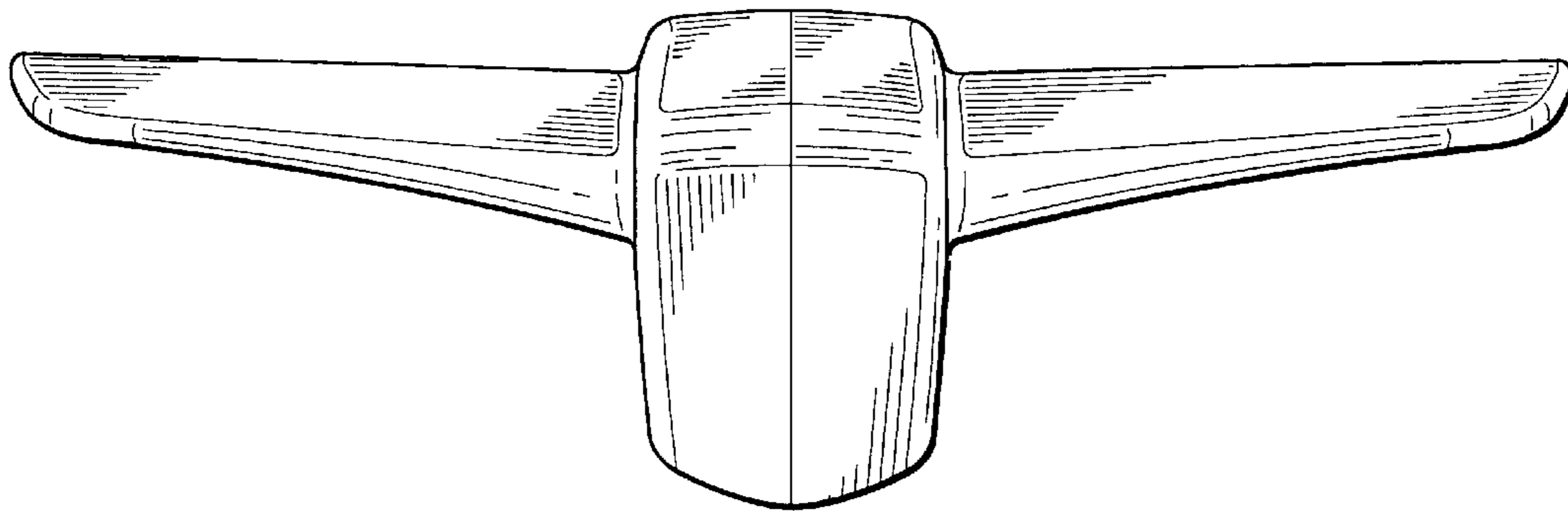




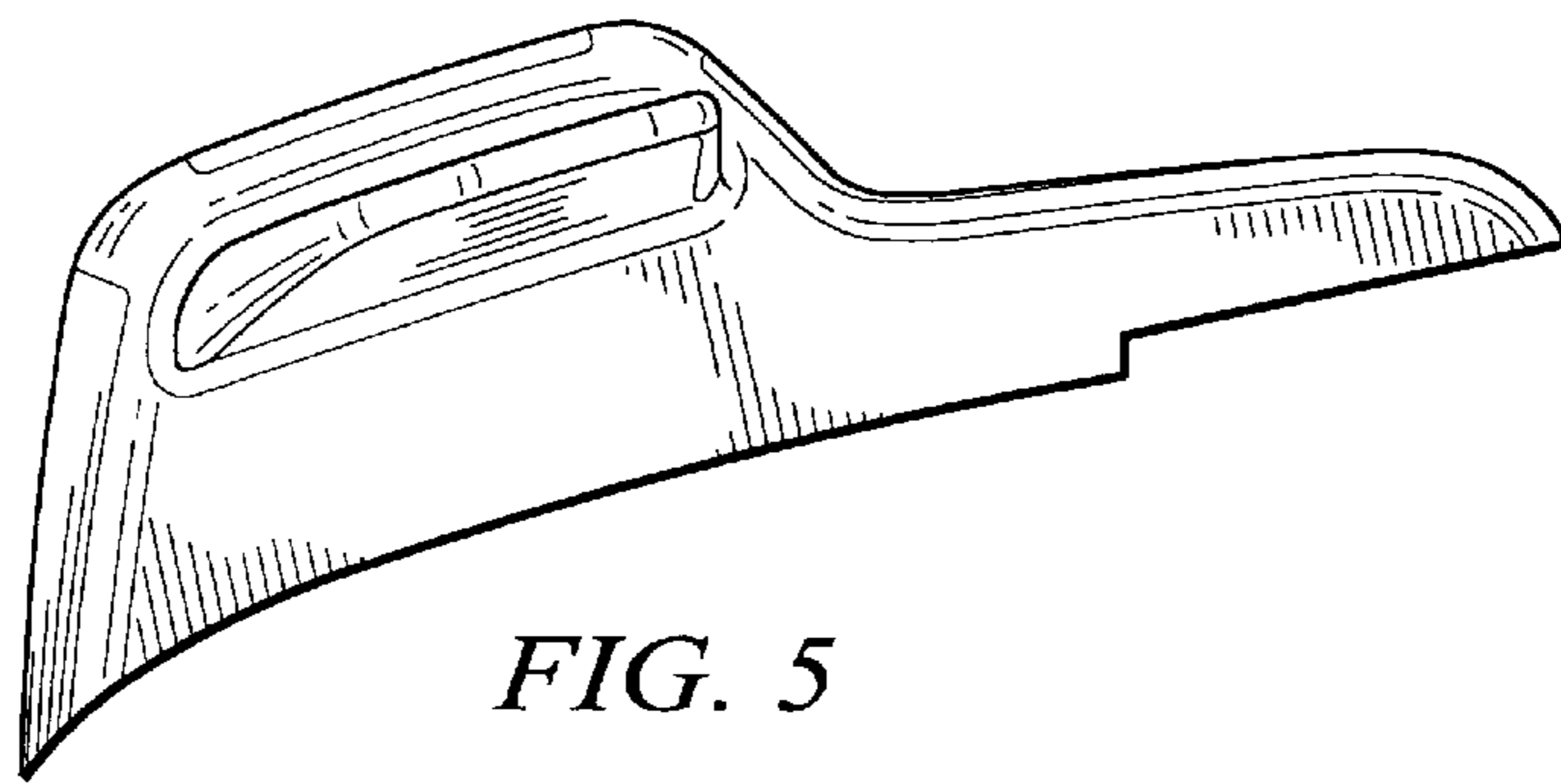
*FIG. 2*



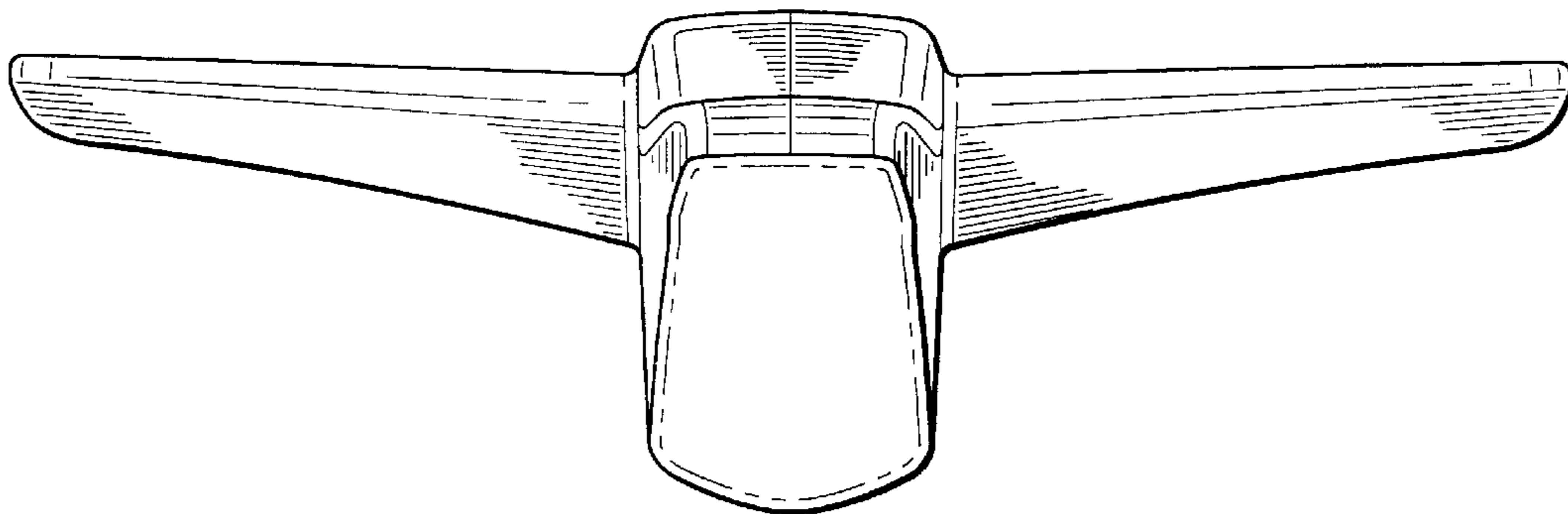
*FIG. 3*



*FIG. 4*



*FIG. 5*



*FIG. 6*