



US00D538213S

(12) **United States Design Patent** (10) **Patent No.:** **US D538,213 S**  
**Fukuyama et al.** (45) **Date of Patent:** **\*\* Mar. 13, 2007**

(54) **FRONT COWL OF MOTORCYCLES**

(74) *Attorney, Agent, or Firm*—Arent Fox PLLC

(75) Inventors: **Kei Fukuyama**, Wako (JP); **Kazuyuki Tachibana**, Wako (JP)

(57) **CLAIM**

The ornamental design for a front cowl of motorcycles, as shown and described.

(73) Assignee: **Honda Motor Co., Ltd.**, Tokyo (JP)

(\*\*) Term: **14 Years**

**DESCRIPTION**

(21) Appl. No.: **29/256,256**

FIG. 1 is a front view of a front cowl of motorcycles showing my new design.

(22) Filed: **Mar. 20, 2006**

FIG. 2 is a rear view thereof.

(30) **Foreign Application Priority Data**

Sep. 21, 2005 (JP) ..... 2005-027184

FIG. 3 is a plan view thereof.

(51) **LOC (8) Cl.** ..... **12-16**

FIG. 4 is a bottom view thereof.

(52) **U.S. Cl.** ..... **D12/182**

FIG. 5 is a right side view thereof.

(58) **Field of Classification Search** ..... D12/110,  
D12/114, 126, 181, 182; 180/219; 280/152.1,  
280/152.2, 152.3, 204.3, 304.4, 848, 852;  
296/78.1, 192, 180.1, 193.09

FIG. 6 is a left side view thereof.

See application file for complete search history.

FIG. 7 is a perspective view of thereof as seen from the right front side.

(56) **References Cited**

**U.S. PATENT DOCUMENTS**

D283,021 S \* 3/1986 Abe et al. .... D12/182

FIG. 8 is a perspective view thereof as seen from the left front side.

**FOREIGN PATENT DOCUMENTS**

JP 1251386 S 9/2005

FIG. 9 is a perspective view thereof as seen from the right rear side; and,

\* cited by examiner

FIG. 10 is a perspective view of thereof as seen from the left rear side.

The portions represented with broken lines are not part of the claimed design.

*Primary Examiner*—Alan P. Douglas  
*Assistant Examiner*—Linda Brooks

The rear portion including the thickness and surfaces of the subject design are not part of the claimed subject matter.

The broken lines immediately adjacent the shaded areas represent the boundaries of the claimed design and form no part thereof.

**1 Claim, 5 Drawing Sheets**

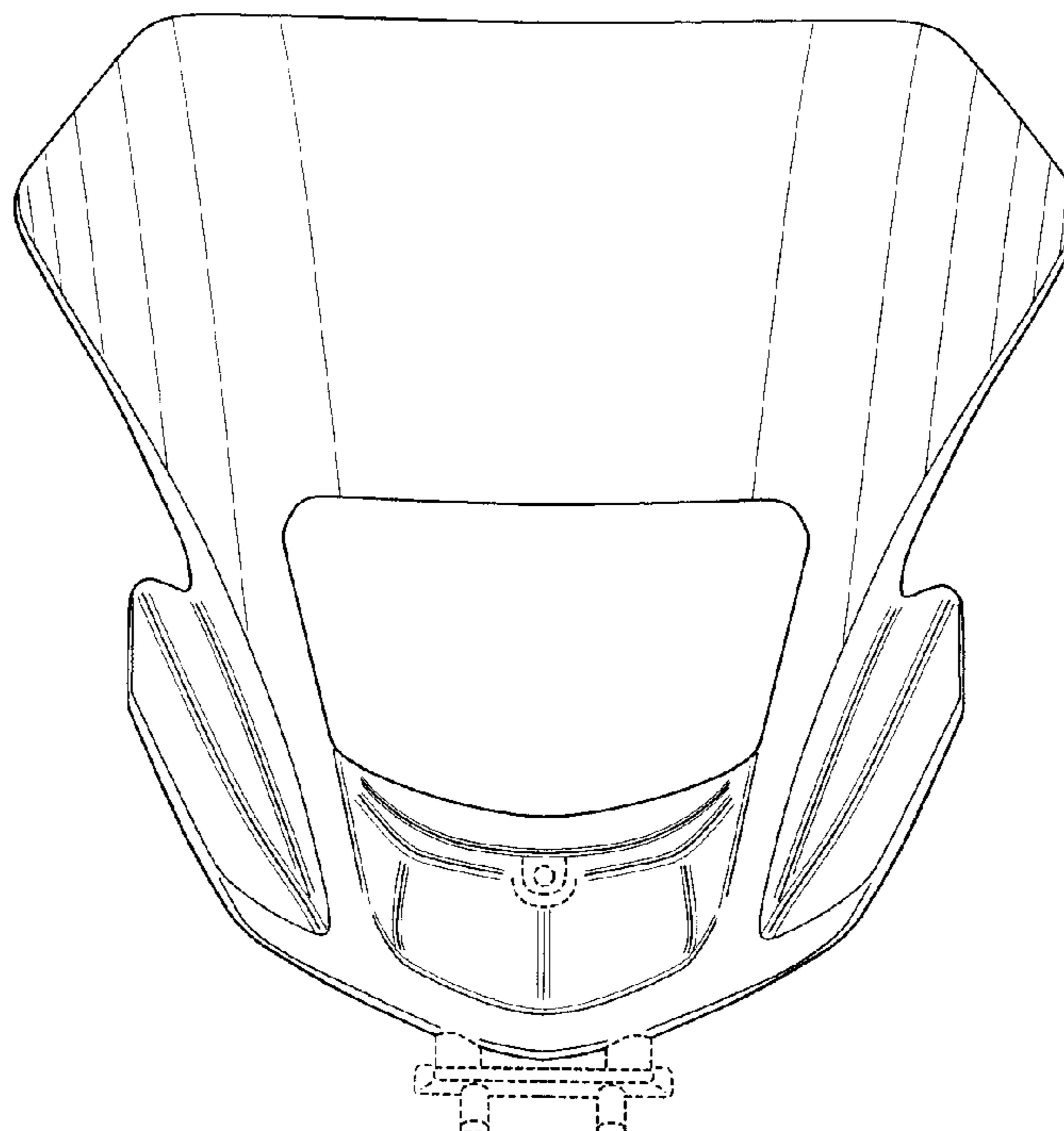


FIG.1

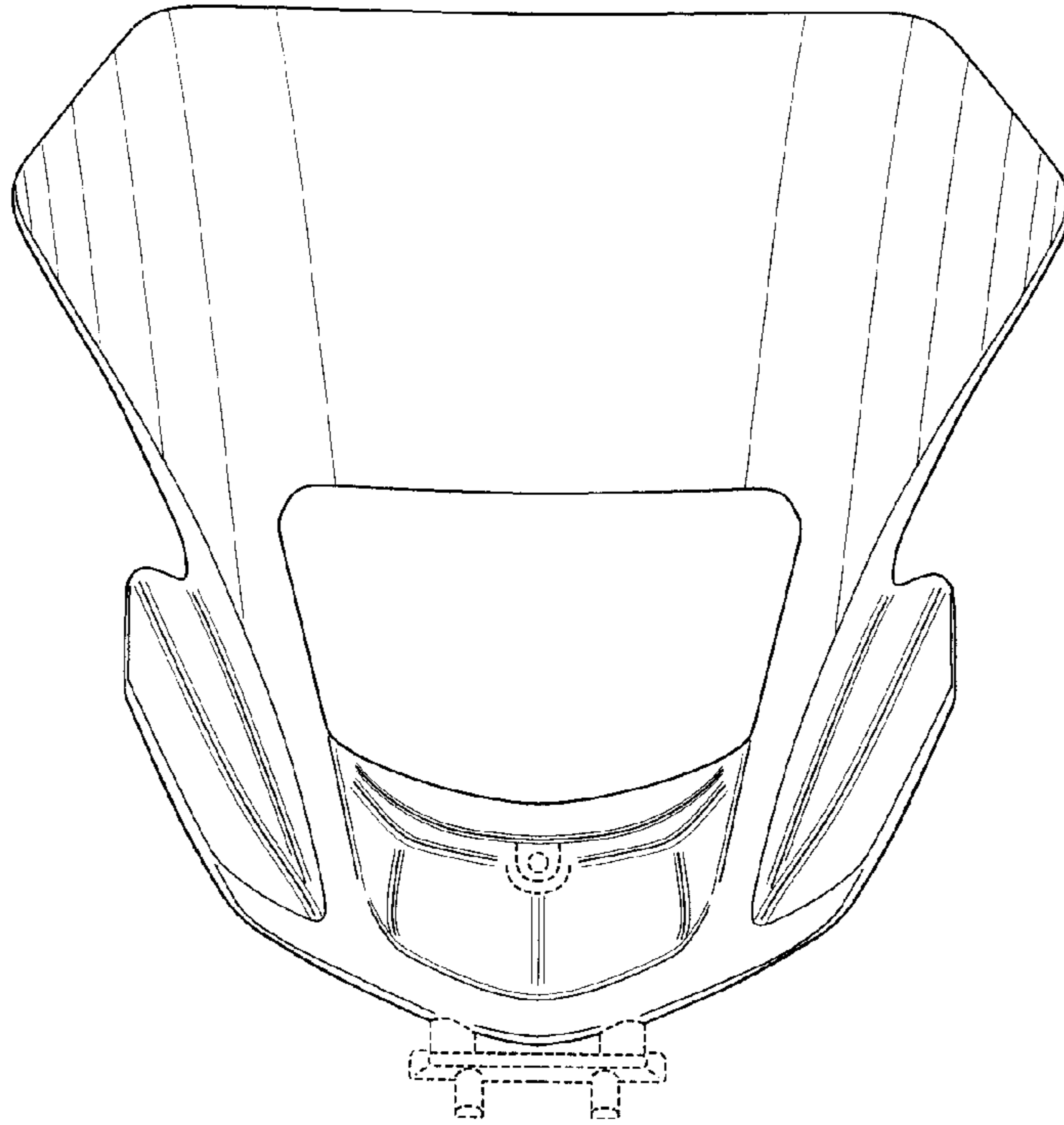
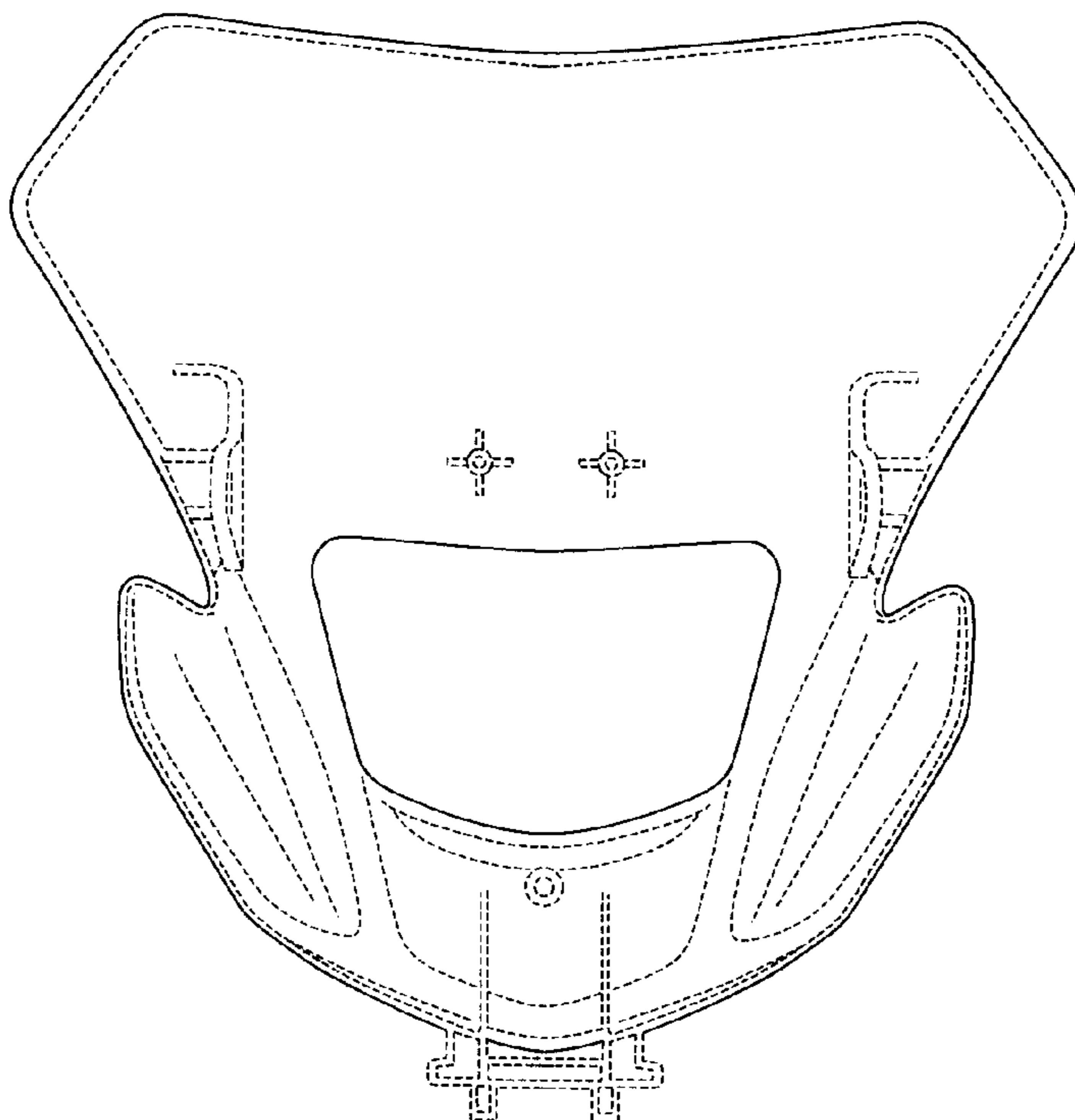
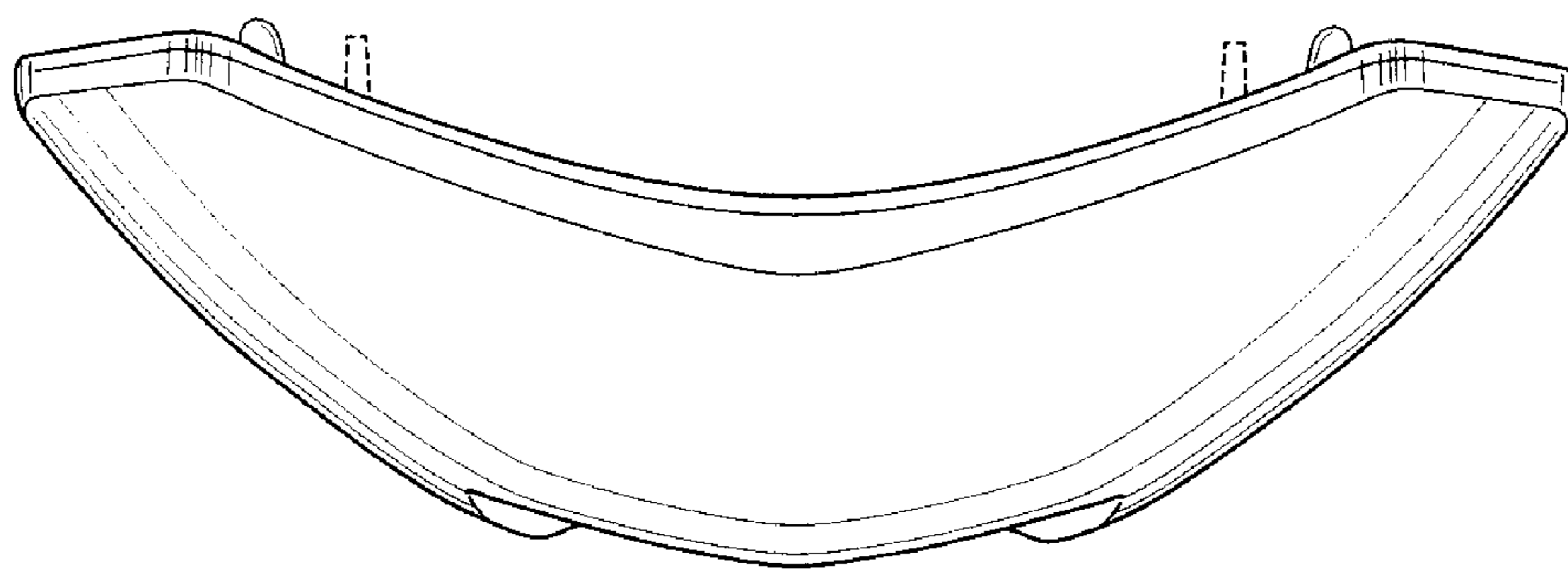


FIG.2



# FIG.3



# FIG.4

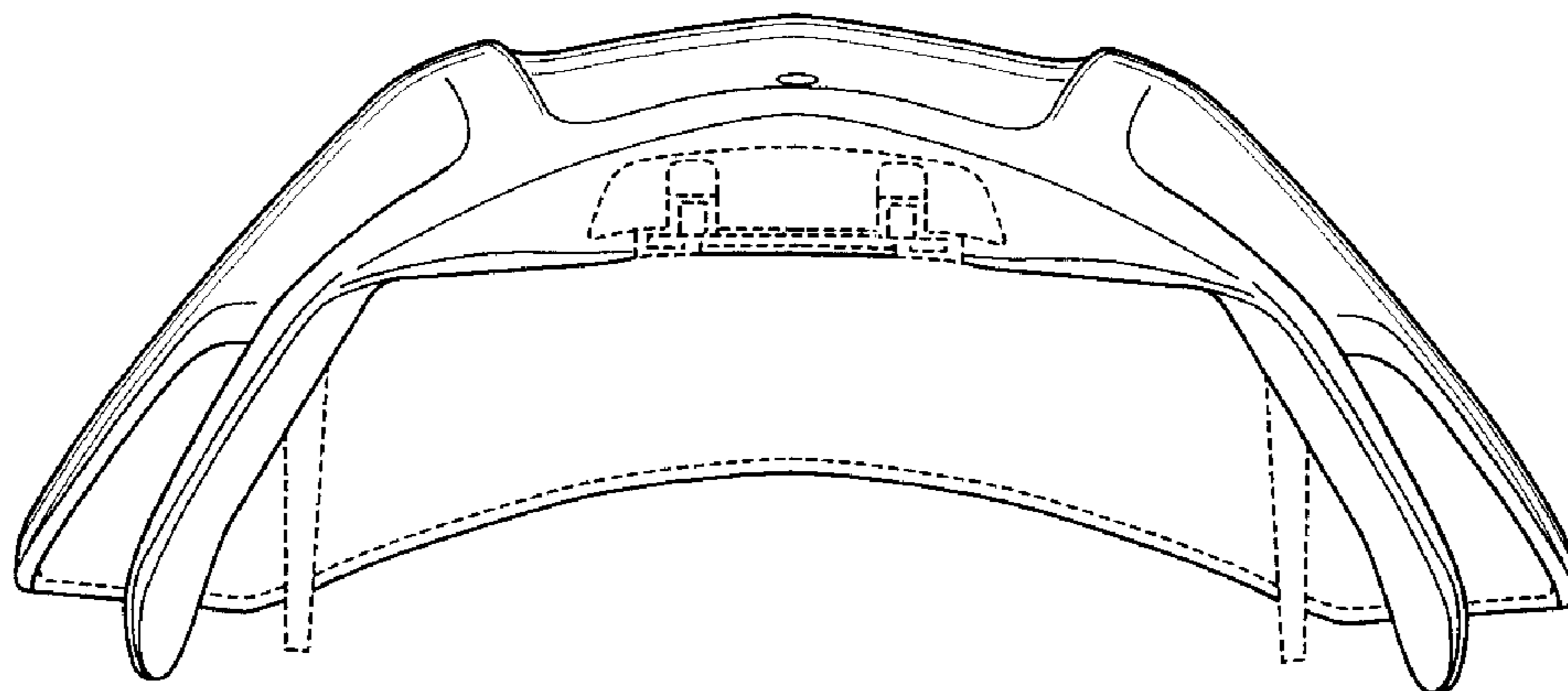


FIG.5

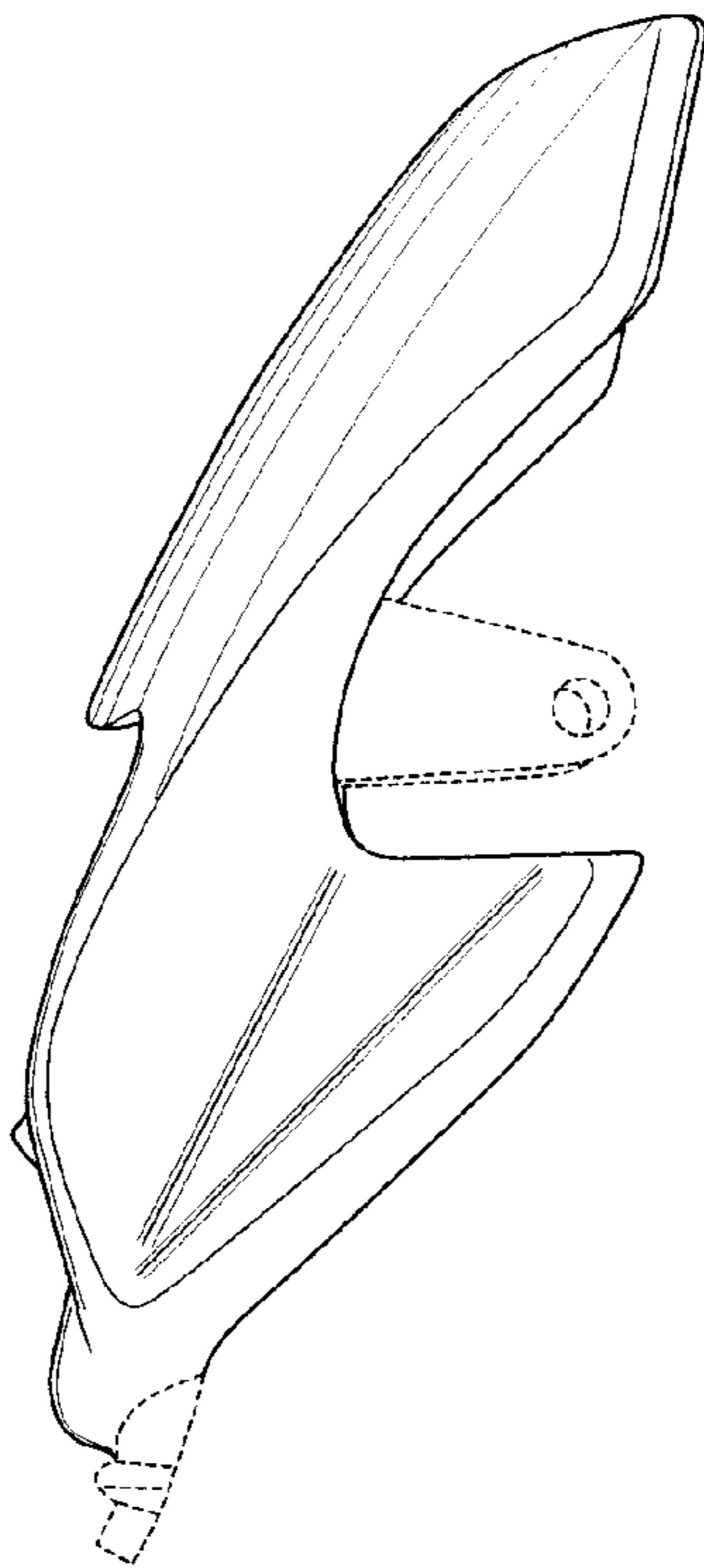


FIG.6

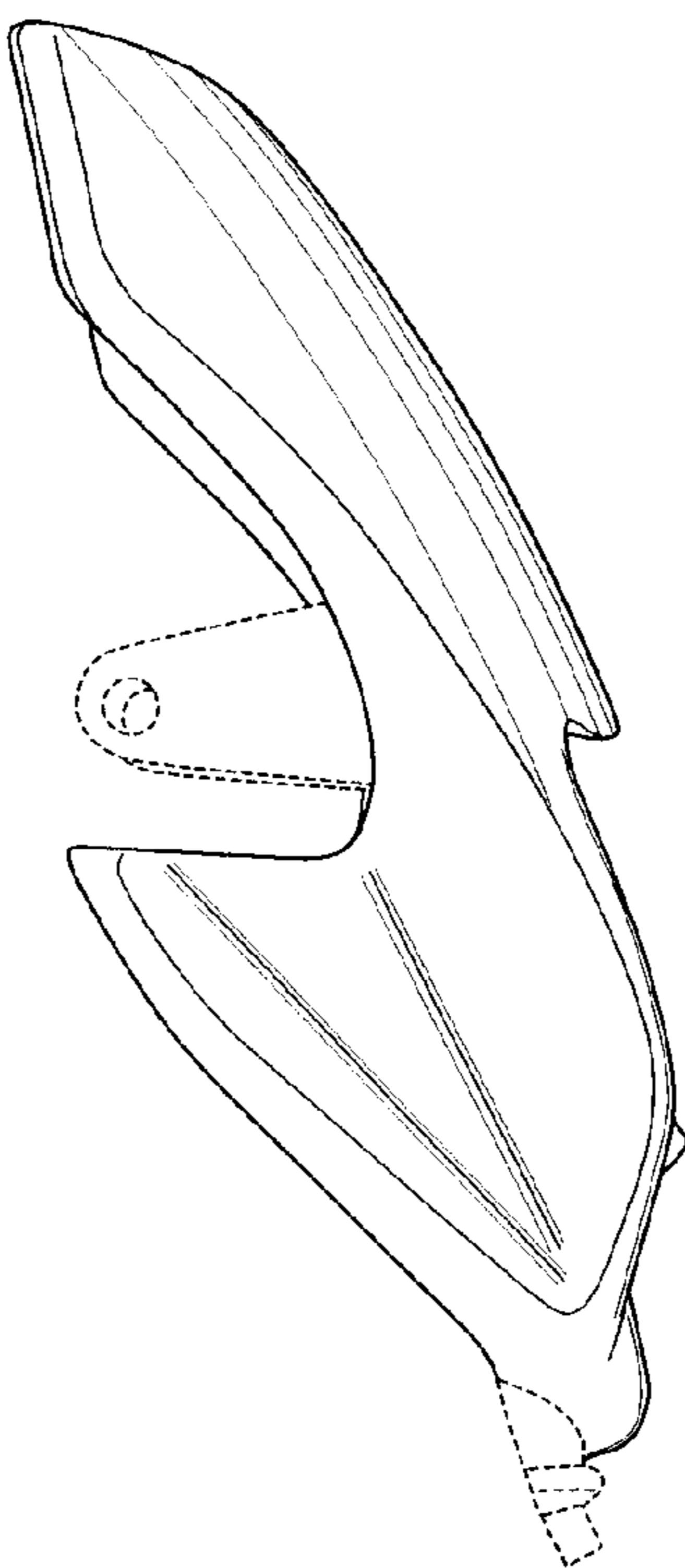


FIG.7

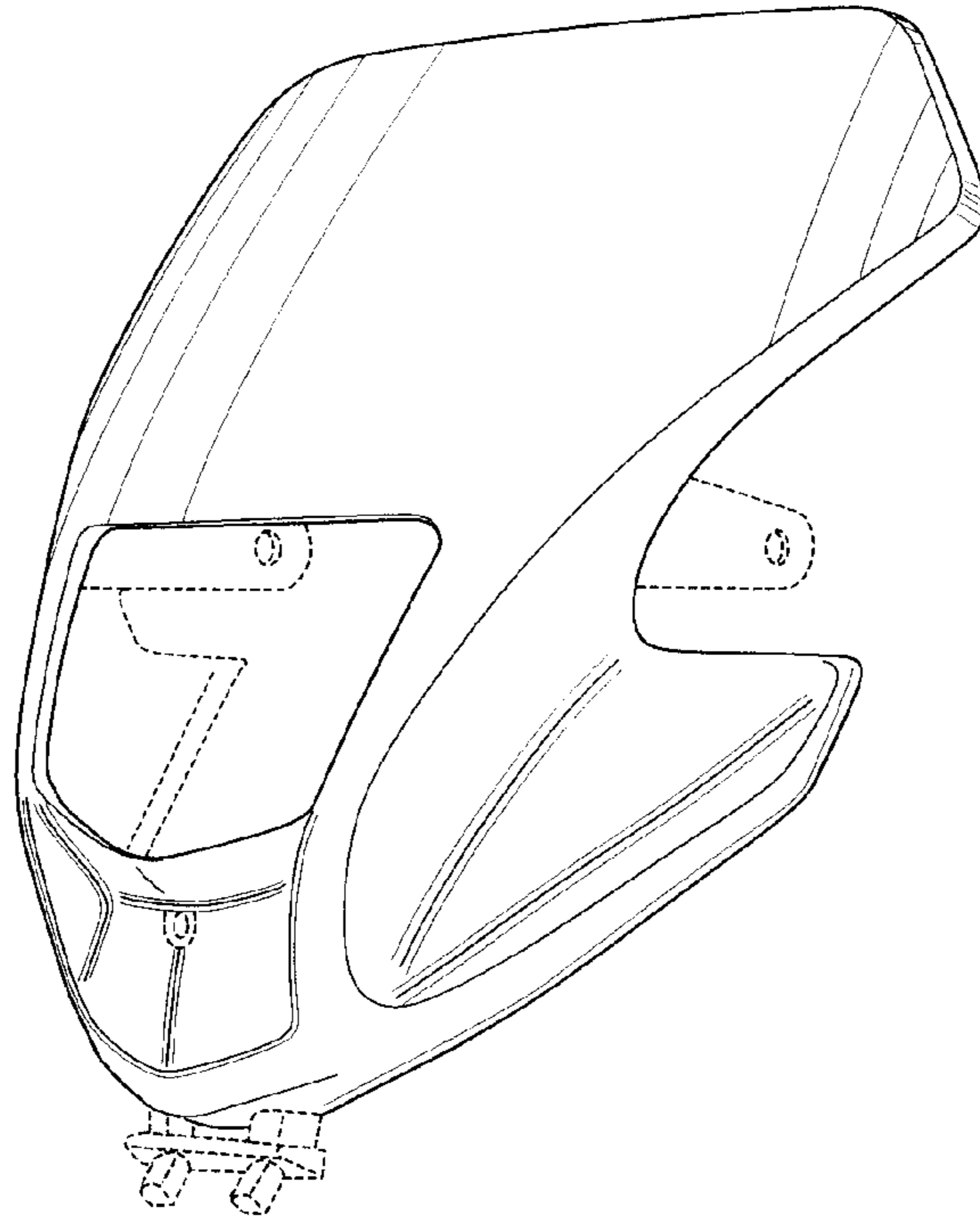


FIG.8

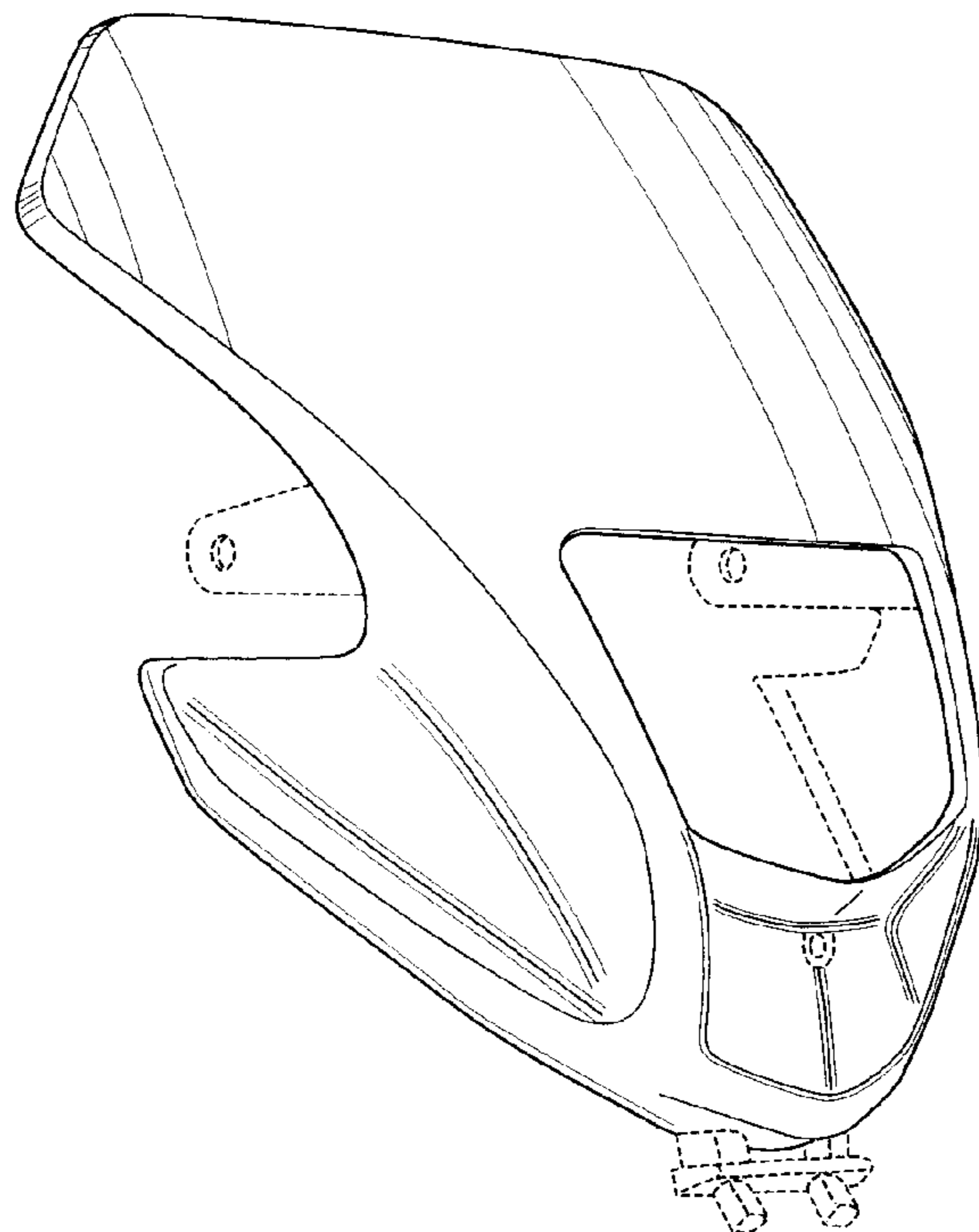




FIG.9

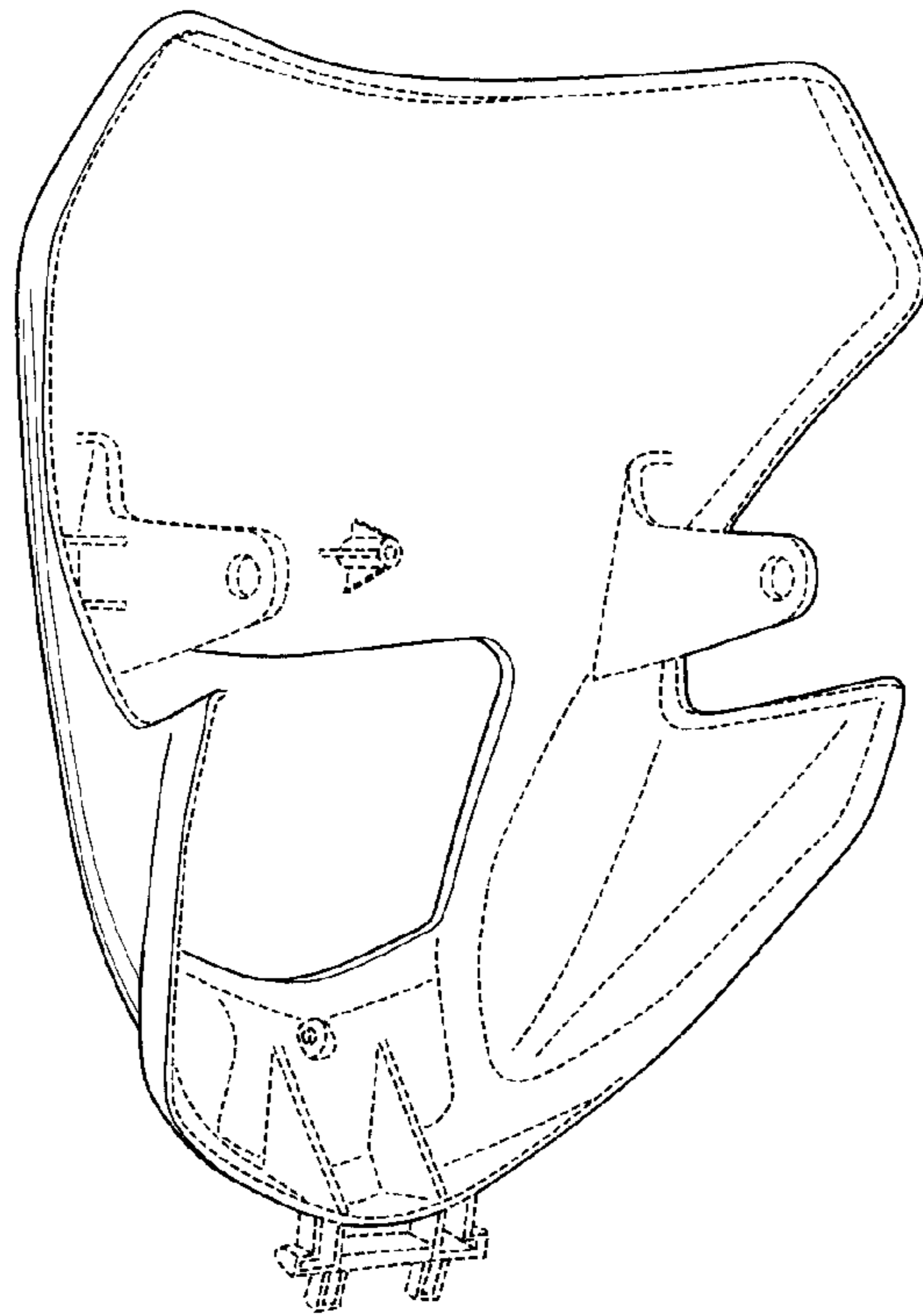


FIG.10

