



US00D538209S

(12) **United States Design Patent**
Fujimaki

(10) **Patent No.:** **US D538,209 S**
(45) **Date of Patent:** **** Mar. 13, 2007**

(54) **REAR BUMPER FOR AN AUTOMOBILE**

D501,809 S * 2/2005 Metros et al. D12/169
D516,969 S * 3/2006 Honda et al. D12/169

(75) Inventor: **Shoji Fujimaki**, Wako (JP)

* cited by examiner

(73) Assignee: **Honda Motor Co., Ltd.**, Tokyo (JP)

Primary Examiner—Melody N. Brown
(74) *Attorney, Agent, or Firm*—Westerman, Hattori,
Daniels & Adrian, LLP

(**) Term: **14 Years**

(21) Appl. No.: **29/251,722**

(57) **CLAIM**

(22) Filed: **Jan. 12, 2006**

The ornamental design for, a rear bumper for an automobile,
as shown and described.

(30) **Foreign Application Priority Data**

Jul. 19, 2005 (JP) 2005-020865

DESCRIPTION

(51) **LOC (8) Cl.** **12-16**

(52) **U.S. Cl.** **D12/169**

(58) **Field of Classification Search** D12/90–92,
D12/86, 169, 196, 163; 296/180.1, 180.2;
293/102, 113, 115, 117, 120

FIG. 1 is a front elevation view of a rear bumper for an
automobile, showing our new design;

FIG. 2 is a top plan view thereof;

FIG. 3 is a right side elevation view thereof; and,

FIG. 4 is a perspective view thereof.

See application file for complete search history.

The broken lines are for illustrative purposes only and form
no part of the claimed design.

(56) **References Cited**

U.S. PATENT DOCUMENTS

D484,834 S * 1/2004 Hattori D12/169

1 Claim, 4 Drawing Sheets

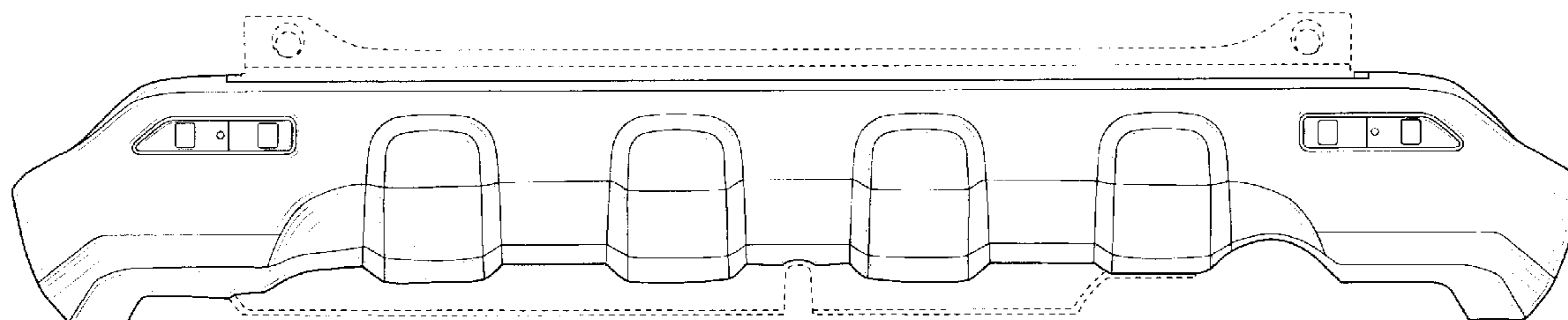


Fig. 1

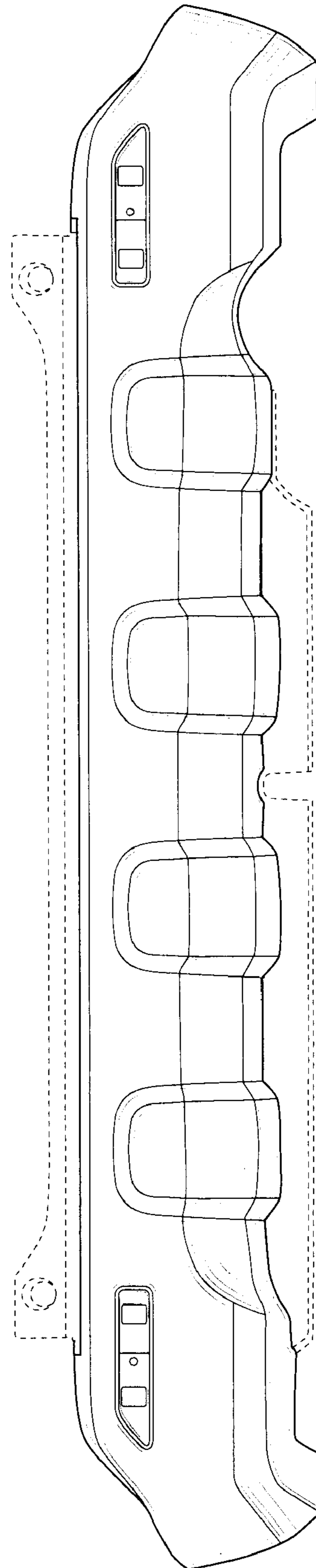


Fig.2

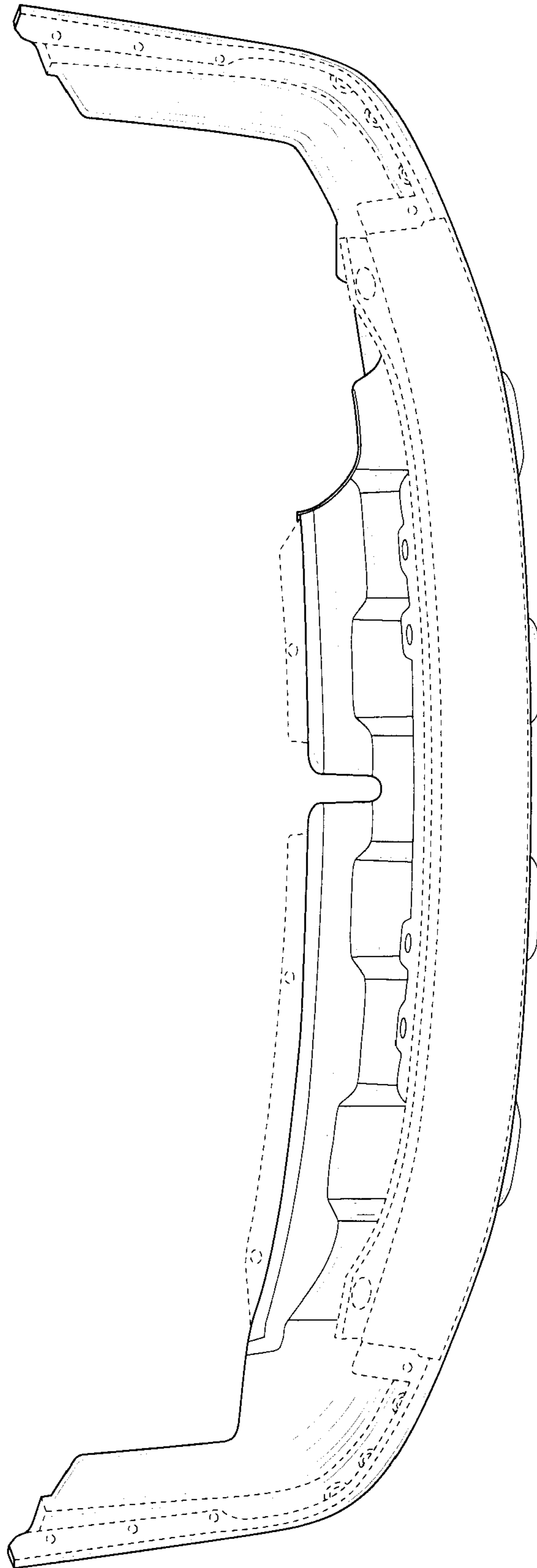


Fig. 3

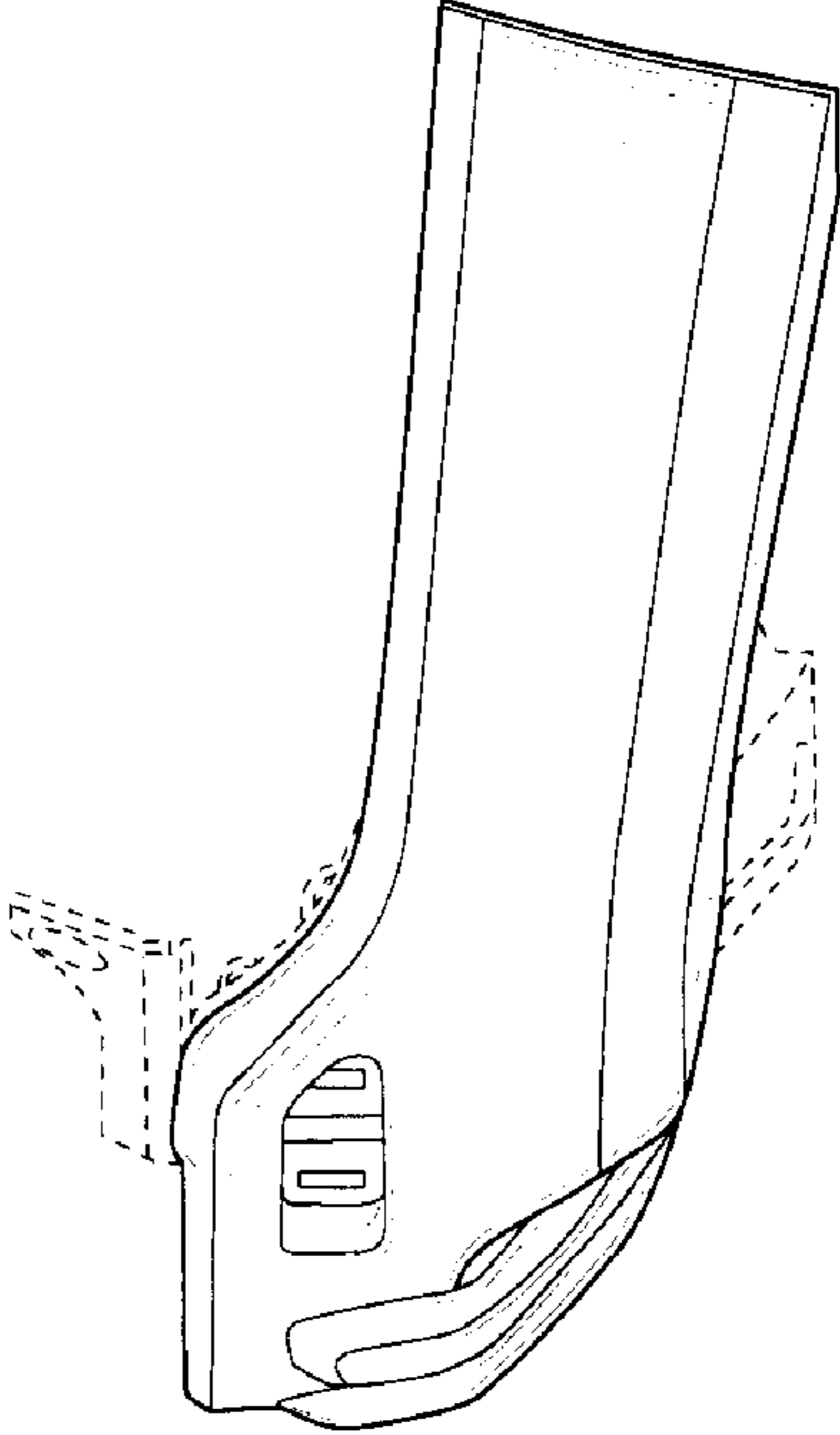


Fig.4

