



US00D538206S

(12) **United States Design Patent**
Yaggi, Sr.

(10) **Patent No.:** **US D538,206 S**

(45) **Date of Patent:** **** Mar. 13, 2007**

(54) **SWING OUT UTILITY MOUNT FOR USE WITH FEEDER**

(76) Inventor: **Fred C. Yaggi, Sr.**, 2759 Bandera Hwy., Kerville, TX (US) 78028

(**) Term: **14 Years**

(21) Appl. No.: **29/230,894**

(22) Filed: **May 27, 2005**

(51) **LOC (8) Cl.** **12-16**

(52) **U.S. Cl.** **D12/162; D30/133; D30/199**

(58) **Field of Classification Search** 224/511-12, 224/545-55, 564-65, 519, 528, 521, 532, 224/495, 502-509, 924; D12/161-62, 400; D8/354-355; 280/491.1-491.5, 414.1-414.3, 280/482, 415.1, 416.1, 402, 476.1, 493, 490.1, 280/495, 504; 296/26.08

See application file for complete search history.

(56) **References Cited**

U.S. PATENT DOCUMENTS

228,924	A	*	6/1880	Osbourne	224/553
1,798,239	A	*	3/1931	Welker et al.	224/511
4,298,151	A	*	11/1981	O'Connor	224/329
D293,229	S	*	12/1987	Smith	D12/162
4,856,686	A	*	8/1989	Workentine	224/497
5,219,105	A	*	6/1993	Kravitz	224/511
5,330,084	A	*	7/1994	Peters	224/506
5,395,020	A	*	3/1995	King	224/521
5,423,566	A	*	6/1995	Warrington et al.	280/415.1
5,476,203	A	*	12/1995	Fletcher	224/536
5,518,159	A	*	5/1996	DeGuevara	224/488
5,690,260	A	*	11/1997	Aikins et al.	224/505

5,810,542	A	*	9/1998	Ostrander	414/462
5,845,832	A	*	12/1998	Eichmann	224/509
5,884,826	A	*	3/1999	Shaver	224/509
5,996,870	A	*	12/1999	Shaver	224/532
6,070,926	A	*	6/2000	Hardin	296/26.08
6,126,053	A	*	10/2000	Shaver	224/509
6,244,483	B1	*	6/2001	McLemore et al.	224/521
6,481,737	B2	*	11/2002	Dray	280/414.1
6,554,171	B1	*	4/2003	Ewing, III	224/521
6,626,340	B1	*	9/2003	Burgess	224/536
D485,516	S	*	1/2004	McCoy et al.	D12/162

* cited by examiner

Primary Examiner—M. H. Tung

Assistant Examiner—Susan Moon Lee

(74) *Attorney, Agent, or Firm*—The Matthews Firm

(57) **CLAIM**

The ornamental design for a swing out utility mount for use with feeder, as shown and described.

DESCRIPTION

FIG. 1 is a front view of a swing out utility mount for use with feeder, shown in a closed position, in accordance with the present invention;

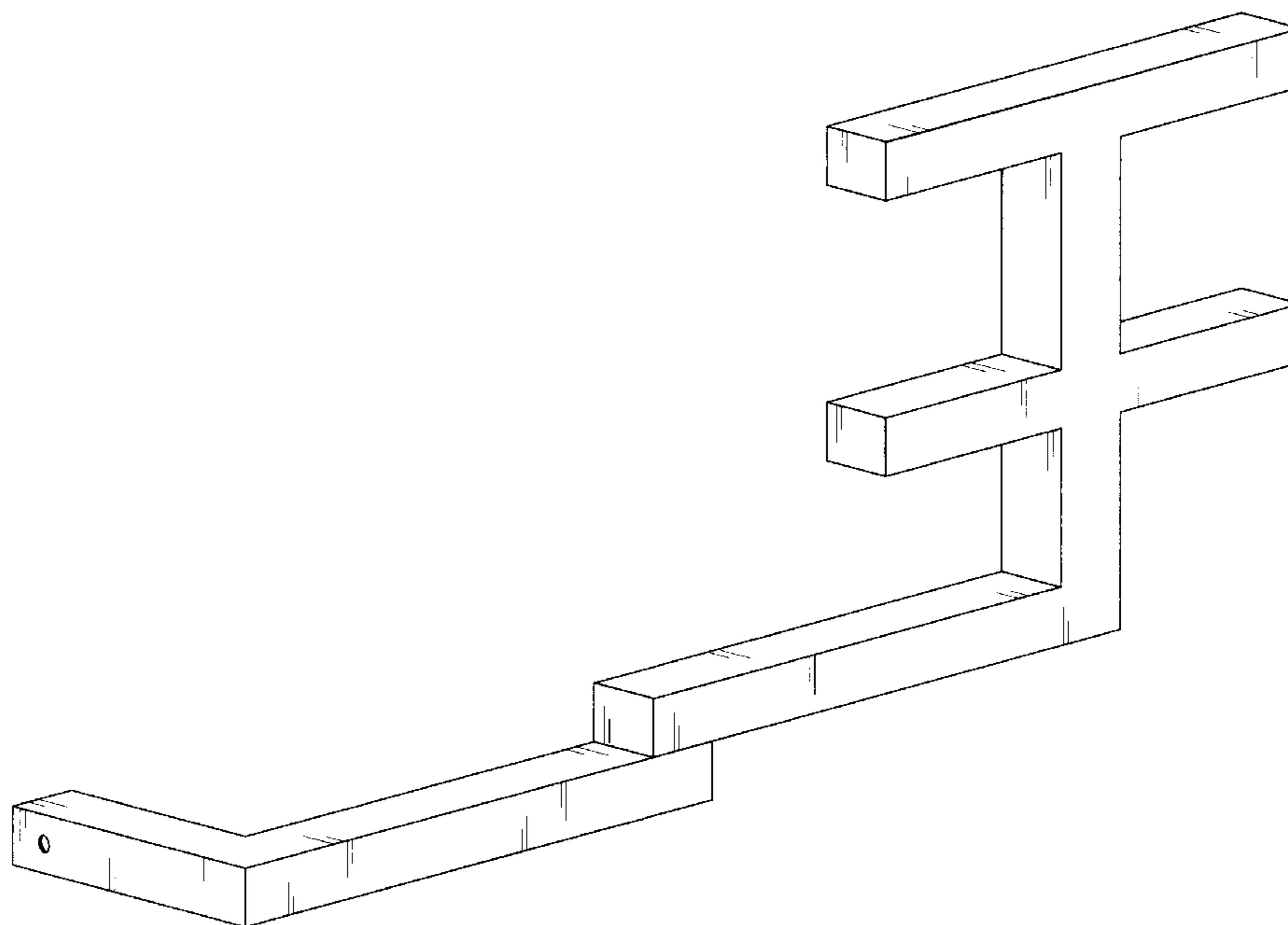
FIG. 2 is a front view thereof shown in an open position;

FIG. 3 is a front view of another embodiment of the present invention, shown in a closed position; and,

FIG. 4 is a front view of the embodiment in FIG. 3, shown in an open position.

The surface(s) or portion(s) of the article not shown in the drawings, shown in dashed lines, or not described in the specification form(s) no part of the claimed design.

1 Claim, 4 Drawing Sheets



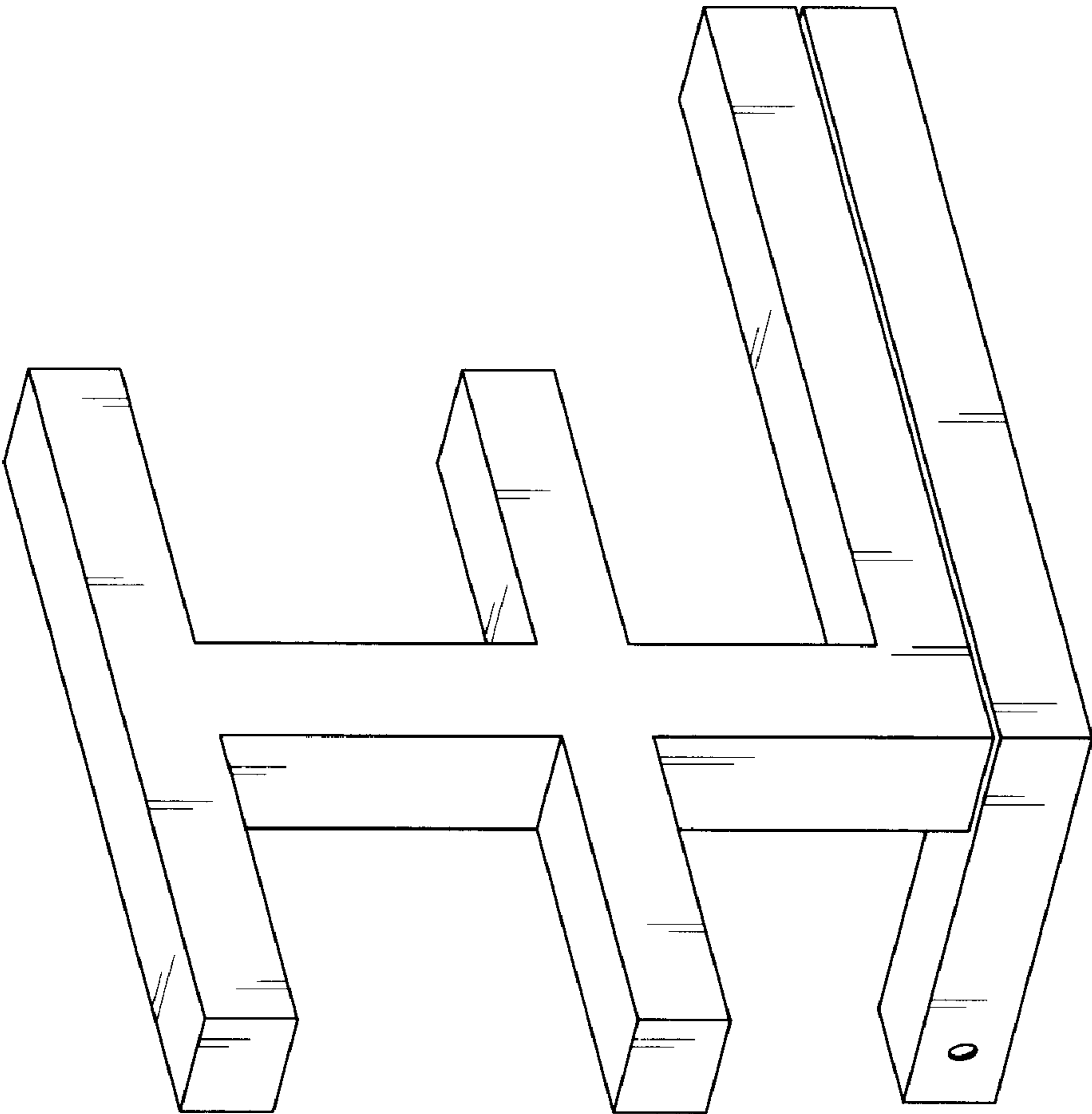


FIG. 1

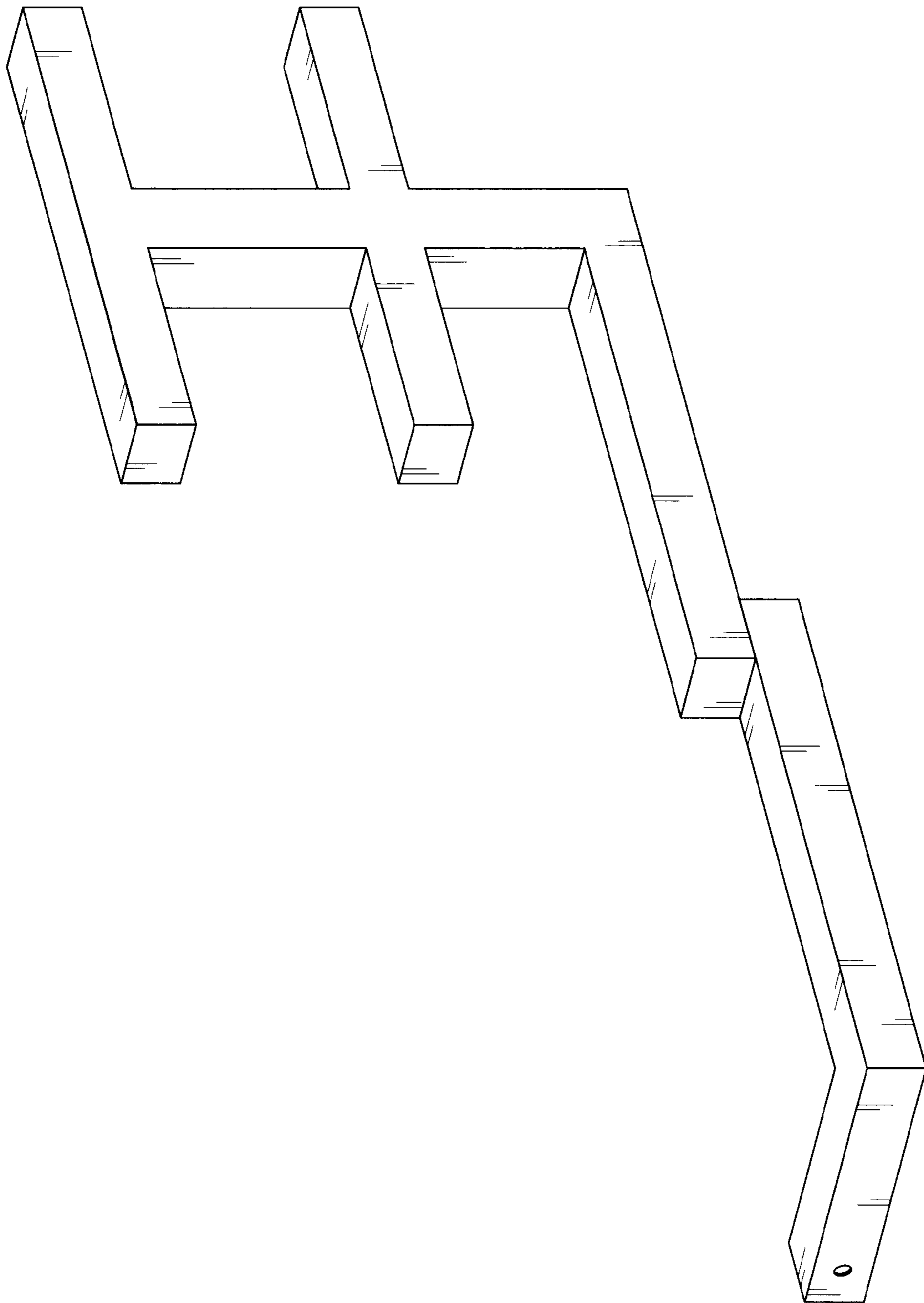


FIG. 2

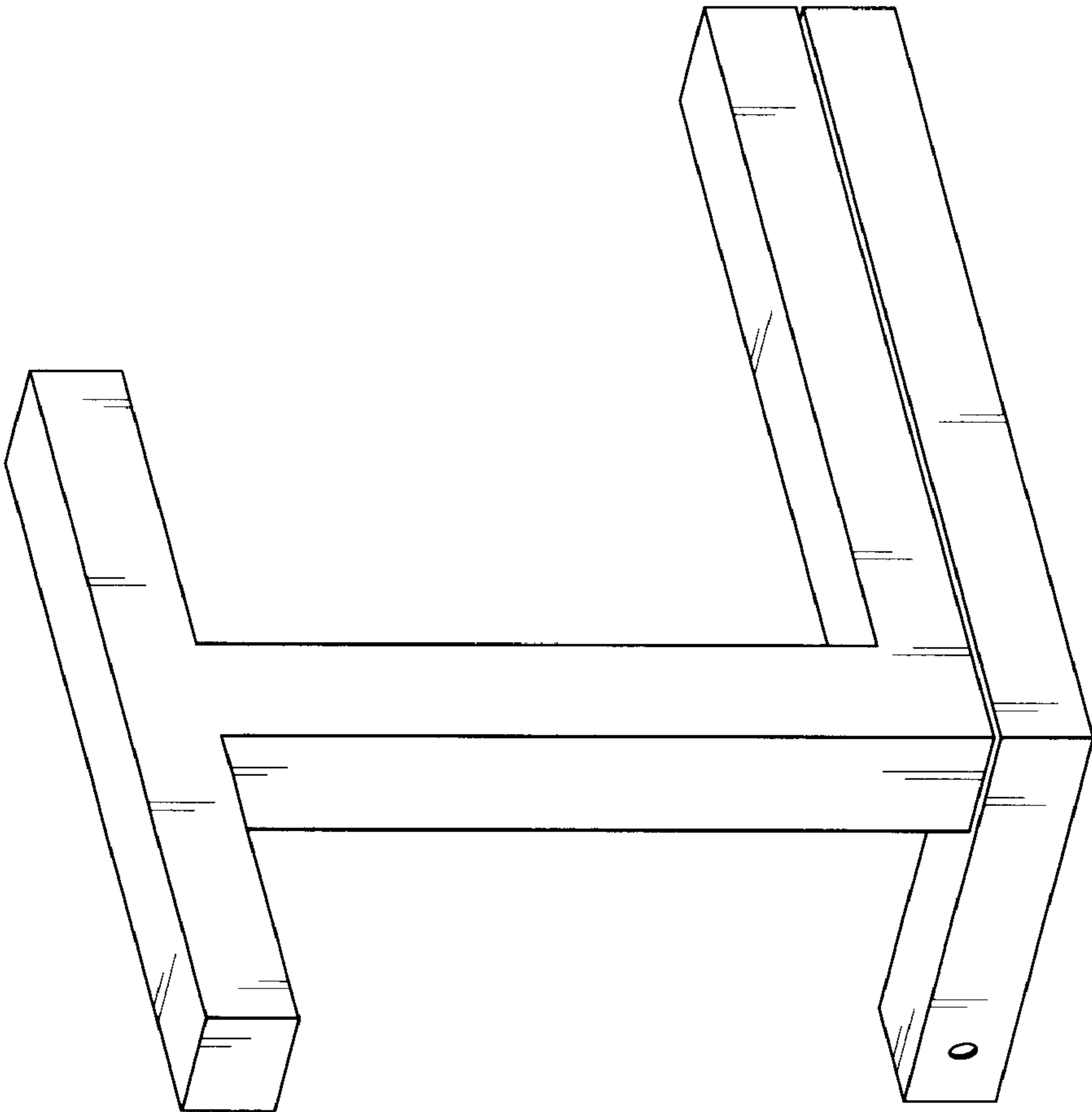


FIG. 3

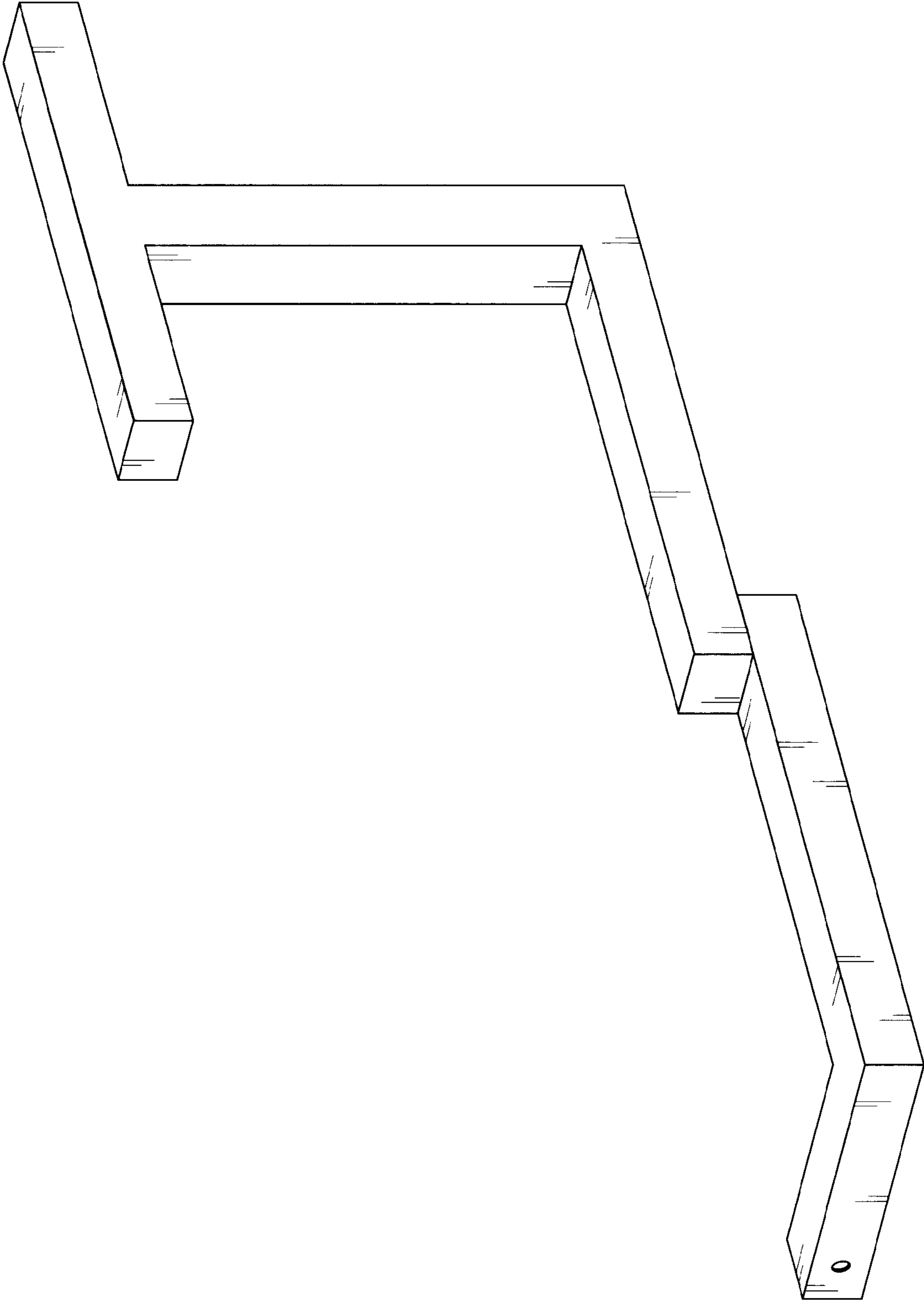


FIG. 4