



US00D538201S

(12) **United States Design Patent**
Kume et al.

(10) **Patent No.:** **US D538,201 S**
(45) **Date of Patent:** **** Mar. 13, 2007**

(54) **MOTOR SCOOTER**

2002/0166709 A1 * 11/2002 Michisaka et al. 180/219

(75) Inventors: **Yasuo Kume**, Wako (JP); **Yuji Watanuki**, Wako (JP); **Yasushi Tateishi**, Wako (JP)

* cited by examiner

Primary Examiner—Alan P. Douglas

Assistant Examiner—Linda Brooks

(73) Assignee: **Honda Motor Co., Ltd.**, Tokyo (JP)

(74) *Attorney, Agent, or Firm*—Sughrue Mion, PLLC

(**) Term: **14 Years**

(57) **CLAIM**

(21) Appl. No.: **29/253,250**

The ornamental design for a motor scooter, as shown and described.

(22) Filed: **Feb. 3, 2006**

DESCRIPTION

(30) **Foreign Application Priority Data**

Aug. 3, 2005 (JP) 2005-022514

FIG. 1 is a perspective view of the front and right side of a motor scooter showing our new design;

(51) **LOC (8) Cl.** **12-11**

FIG. 2 is a perspective view of the rear and left side thereof;

(52) **U.S. Cl.** **D12/110**

FIG. 3 is a right side elevational view thereof;

(58) **Field of Classification Search** D12/110;

FIG. 4 is a left side elevational view thereof;

180/219, 220, 225, 229

FIG. 5 is a front elevational view thereof;

See application file for complete search history.

FIG. 6 is a rear elevational view thereof;

FIG. 7 is a top plan view thereof; and,

FIG. 8 is a bottom plan view thereof.

(56) **References Cited**

U.S. PATENT DOCUMENTS

D458,191 S 6/2002 Tateishi

1 Claim, 8 Drawing Sheets

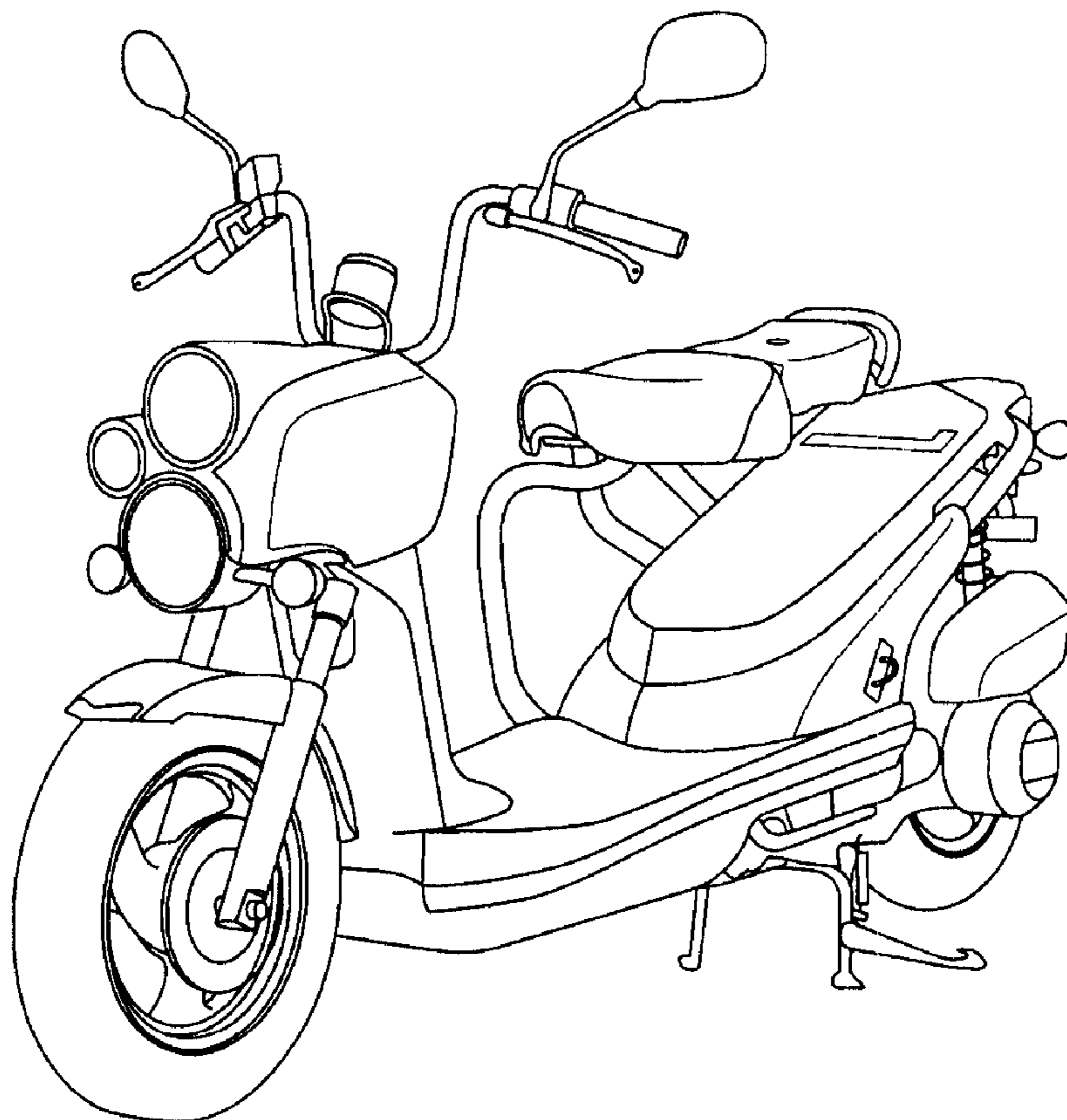


FIG. 1

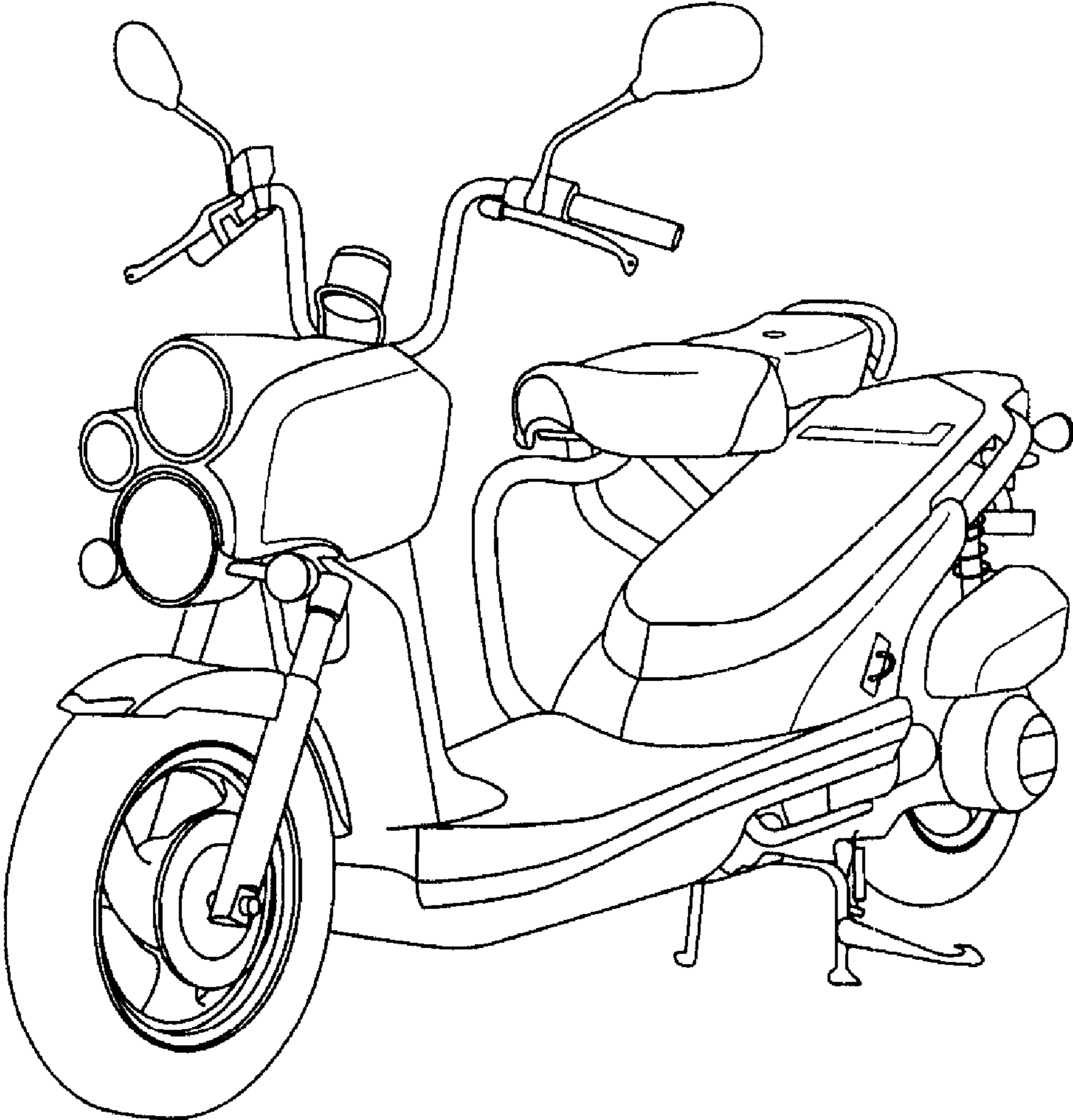


FIG. 2

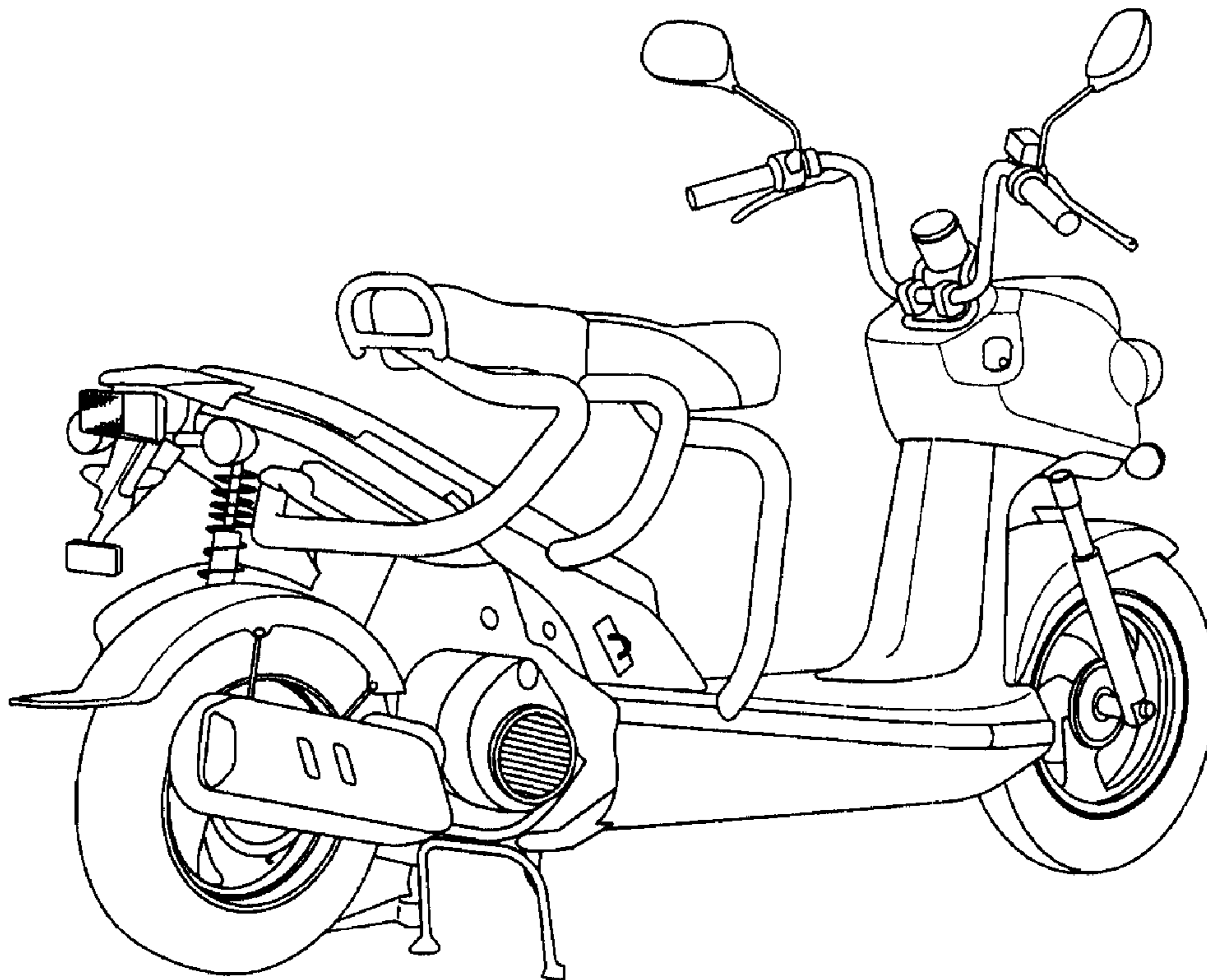


FIG. 3

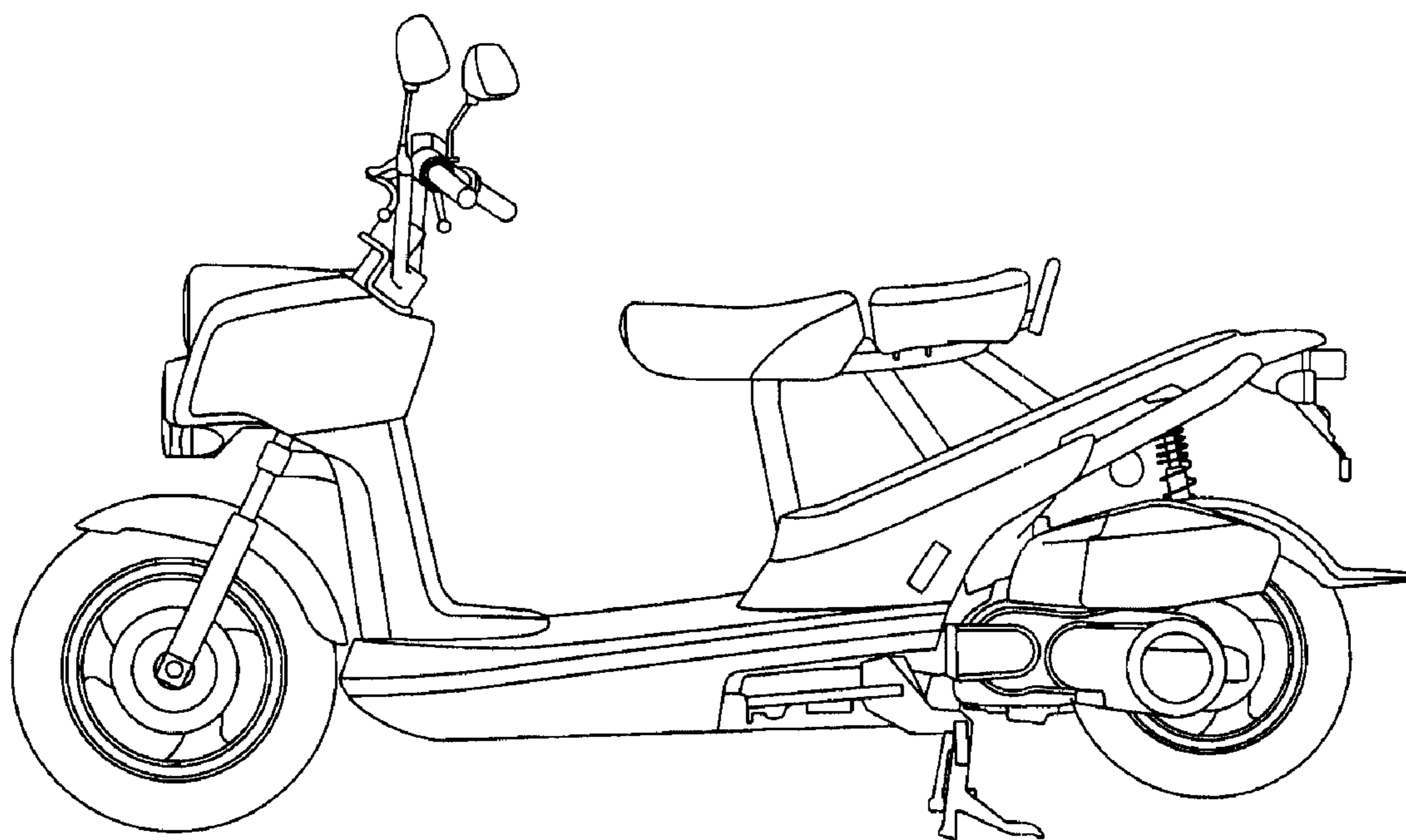


FIG. 4

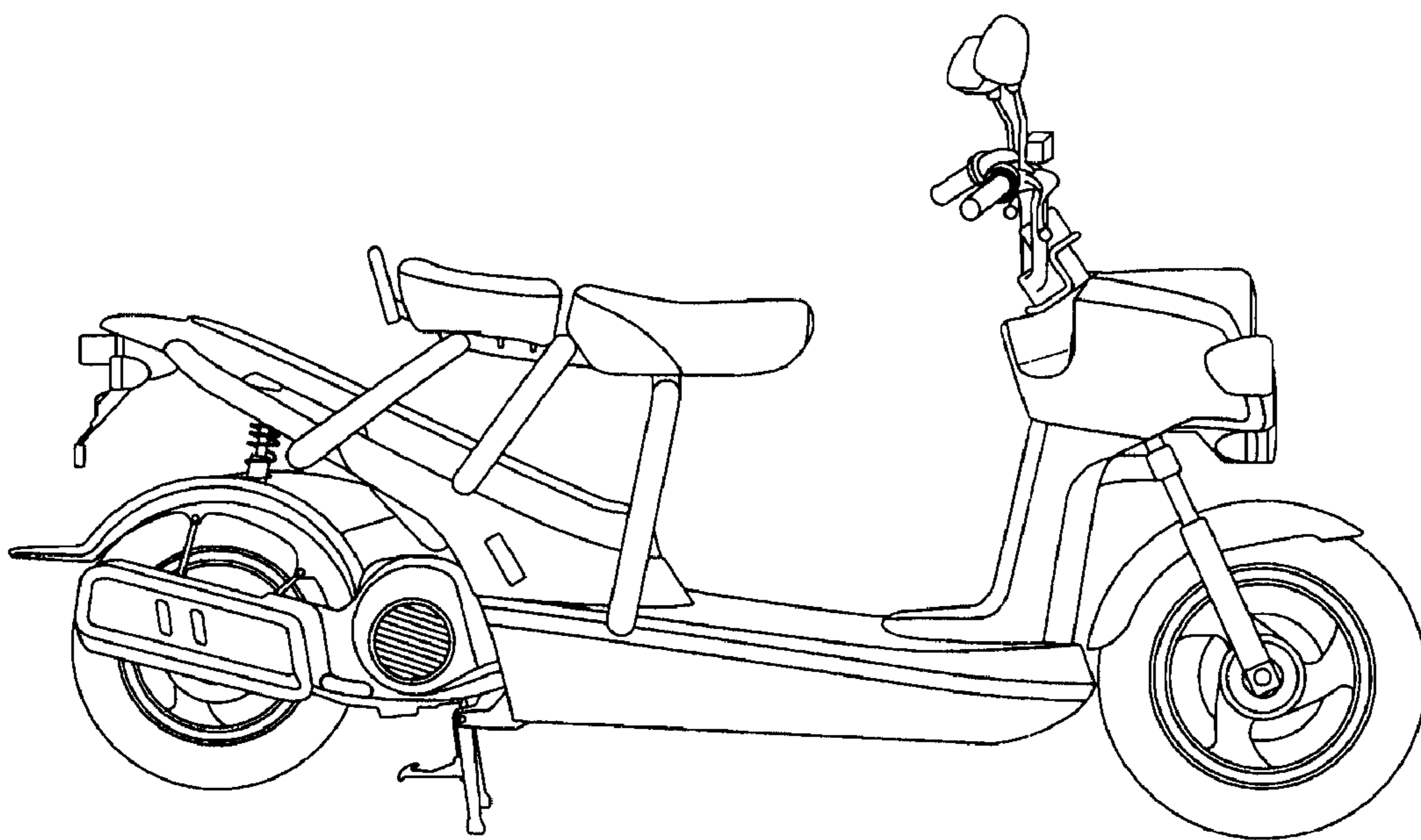


FIG. 5

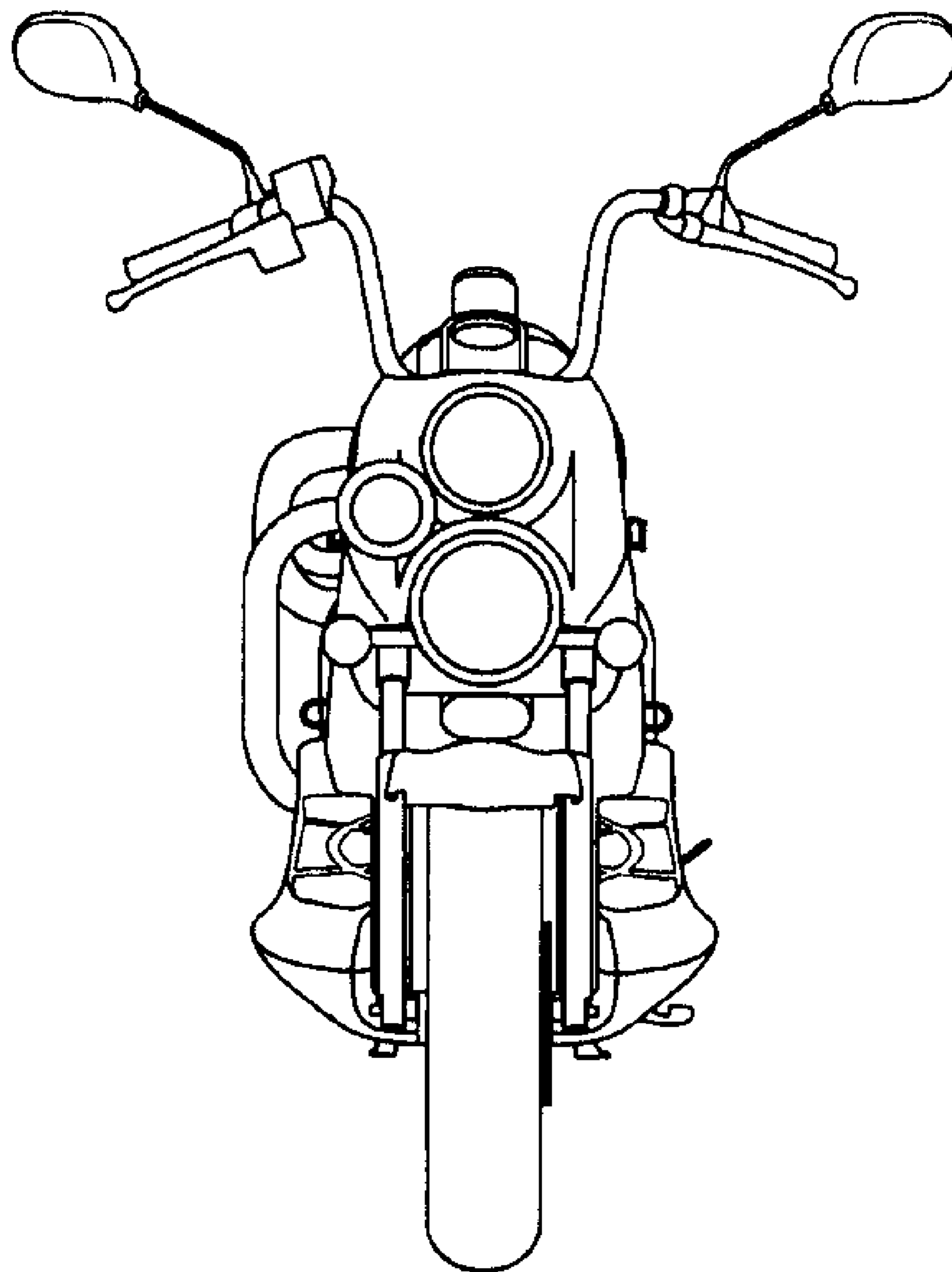


FIG. 6

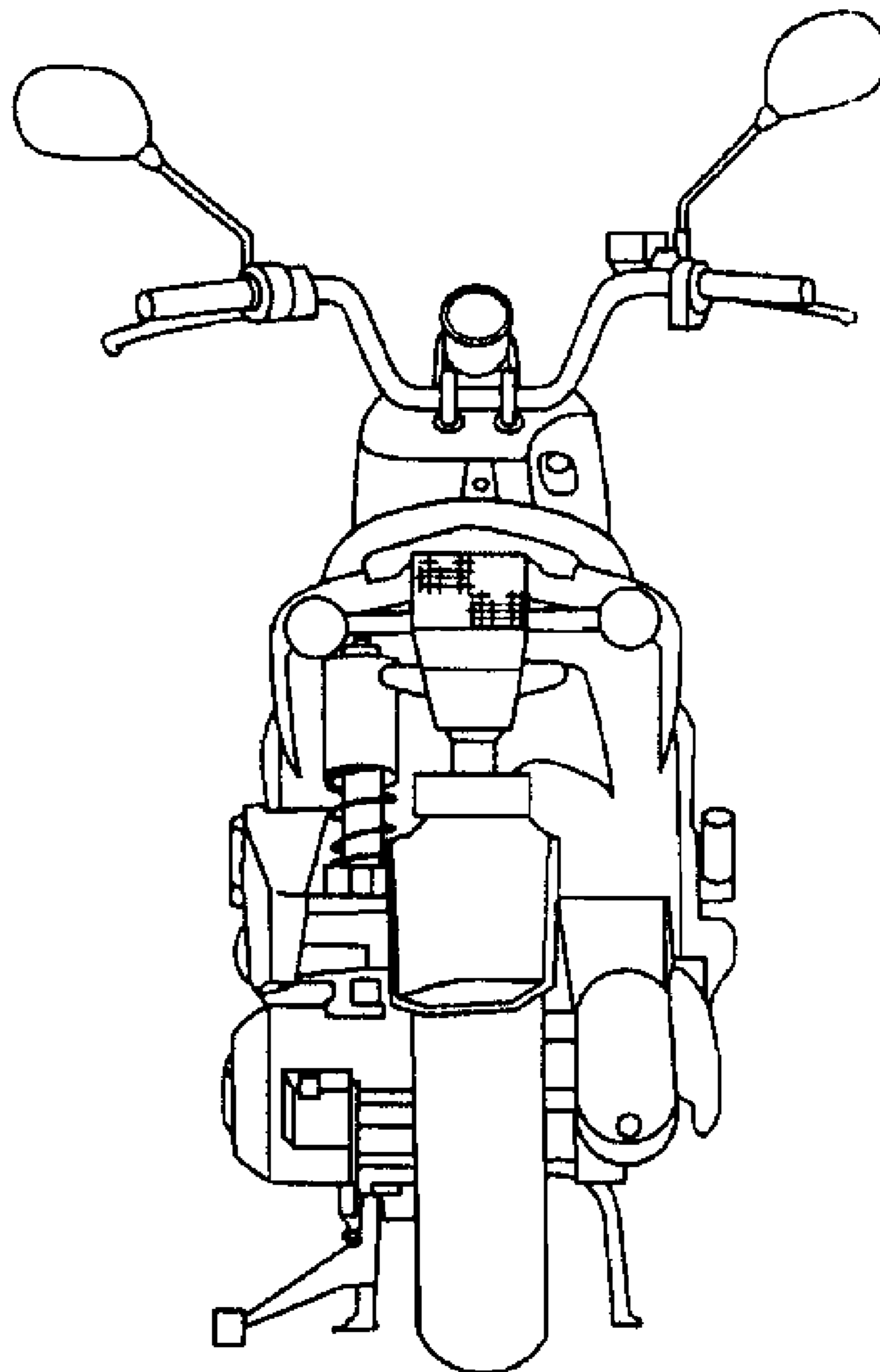


FIG. 7

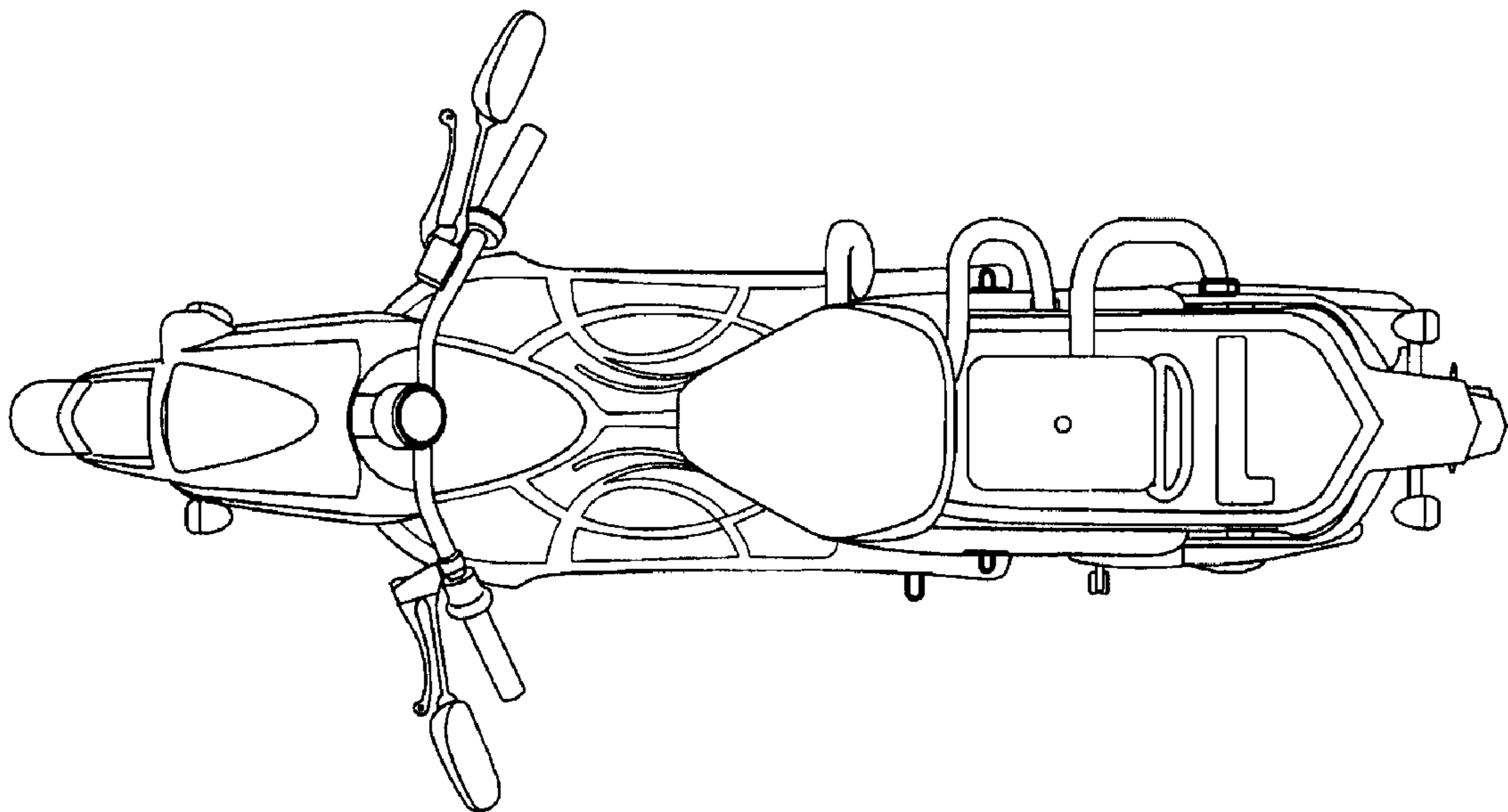


FIG. 8

