



US00D538197S

(12) **United States Design Patent**
Wemmer

(10) **Patent No.:** **US D538,197 S**
(45) **Date of Patent:** **** Mar. 13, 2007**

(54) **MALE UNIT FOR QUICK-RELEASE BUCKLE**

(75) Inventor: **Jeffrey M. Wemmer**, Odessa, TX (US)

(73) Assignee: **Best Made Designs, L.L.C.**, Monahans, TX (US)

(**) Term: **14 Years**

(21) Appl. No.: **29/246,507**

(22) Filed: **Apr. 19, 2006**

(51) **LOC (8) Cl.** **02-07**

(52) **U.S. Cl.** **D11/216**

(58) **Field of Classification Search** D11/200,
D11/201, 208-210, 212-218, 220, 230-234,
D11/236-237, 86-87, 94; 63/15.2, 15; 24/307,
24/625, 616, 200, 196, 637, 171, 169, 112,
24/614, 615

See application file for complete search history.

(56) **References Cited**

U.S. PATENT DOCUMENTS

D341,105 S	*	11/1993	Lovato	D11/216
D379,161 S	*	5/1997	Matoba	D11/216
D425,443 S	*	5/2000	Anscher	D11/216

* cited by examiner

Primary Examiner—Ralf Seifert

(74) *Attorney, Agent, or Firm*—Howison & Arnott, L.L.P.

(57) **CLAIM**

The ornamental design for a male unit for quick-release buckle, as shown.

DESCRIPTION

FIG. 1 is a perspective view of a male unit for a quick-release buckle in accordance with one embodiment of the design;

FIG. 2 is a top view thereof;

FIG. 3 is a front view thereof;

FIG. 4 is a left side view thereof;

FIG. 5 is a right side view thereof;

FIG. 6 is a bottom view thereof;

FIG. 7 is a back view thereof;

FIG. 8 is a perspective view of a male unit for a quick-release buckle showing a second embodiment of my new design;

FIG. 9 is a top view of FIG. 8;

FIG. 10 is a front view of FIG. 8;

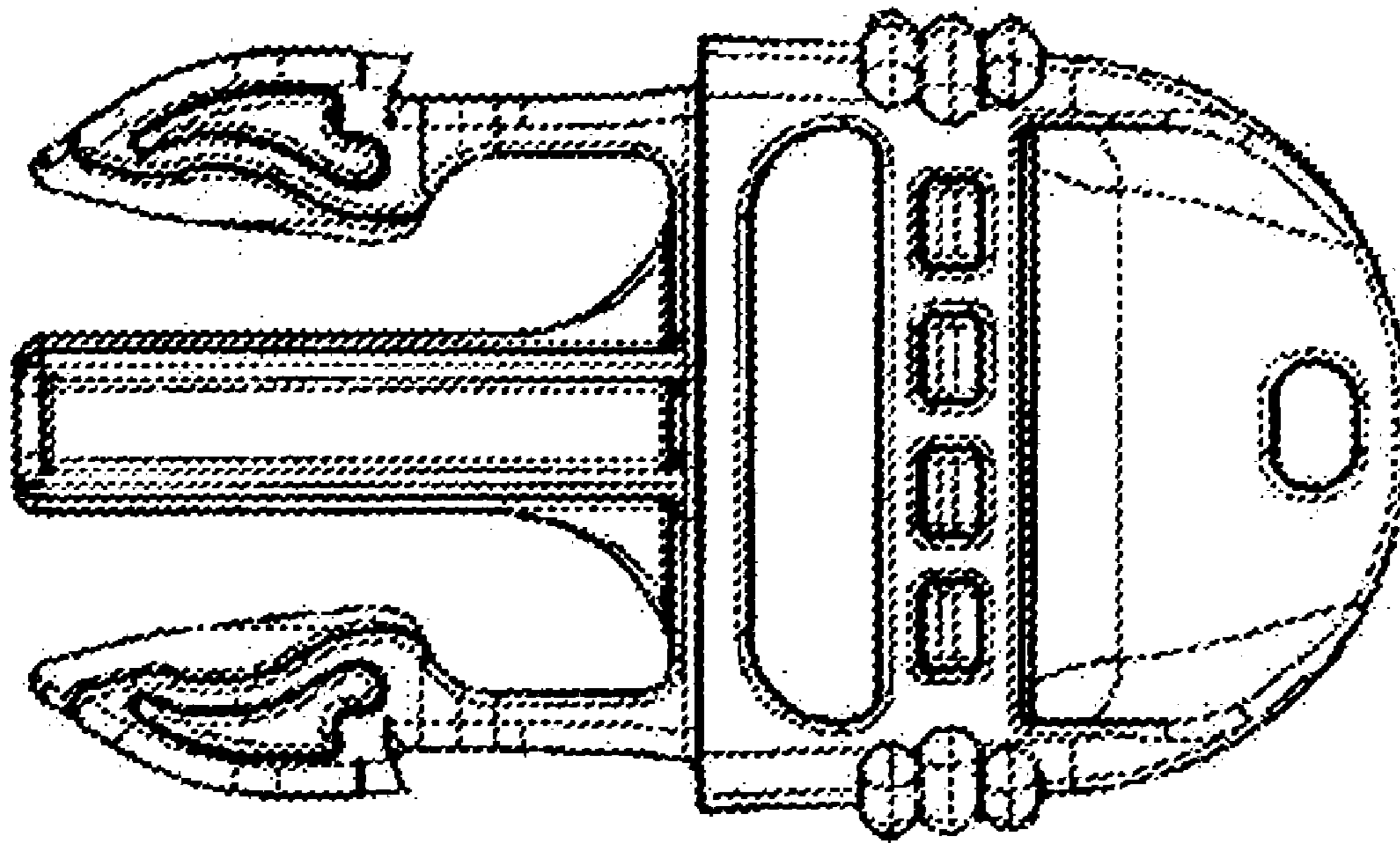
FIG. 11 is a left side view of FIG. 8;

FIG. 12 is a right side view of FIG. 8;

FIG. 13 is a bottom view of FIG. 8; and,

FIG. 14 is a back view of FIG. 8.

1 Claim, 2 Drawing Sheets



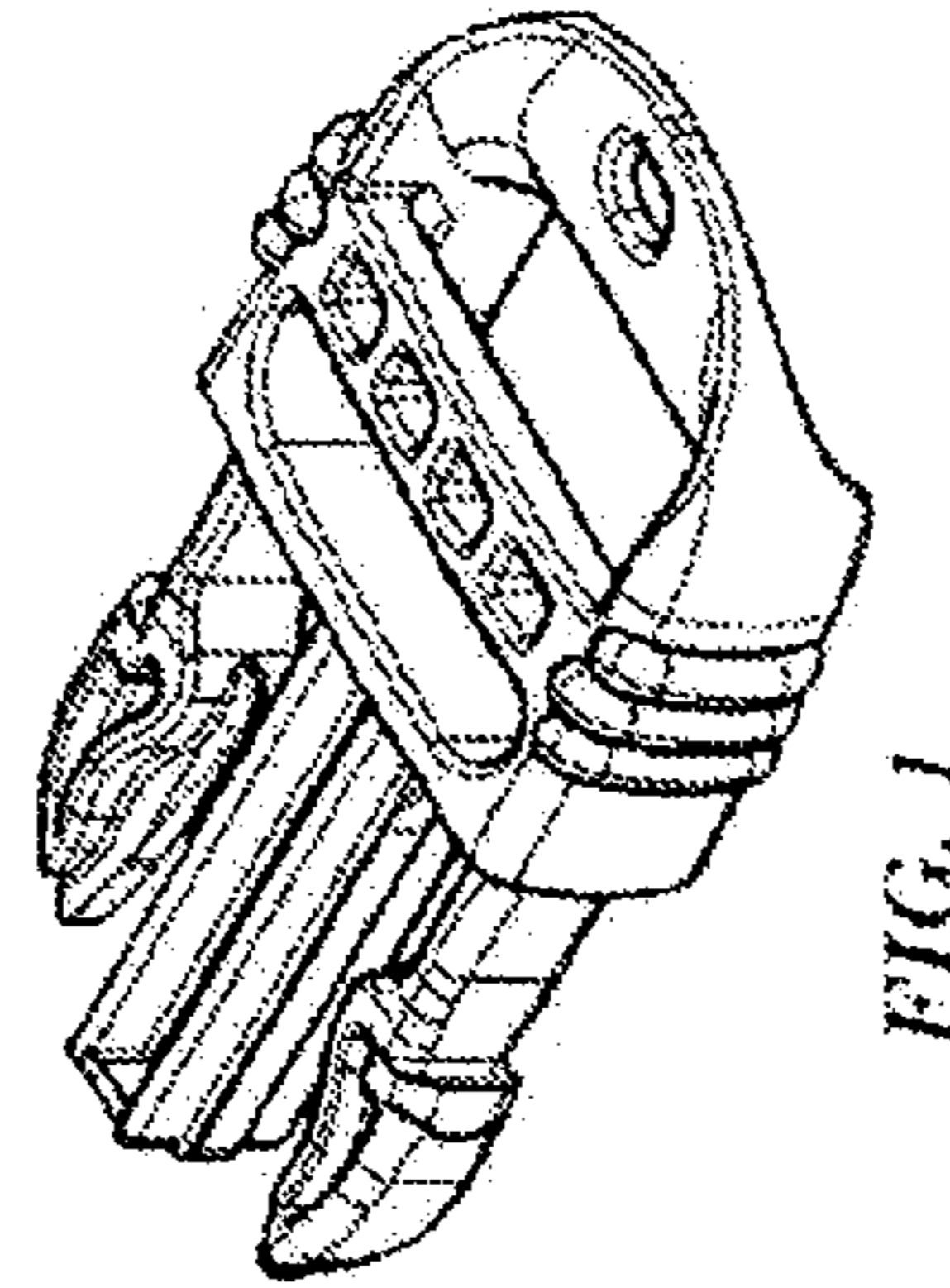


FIG. 1

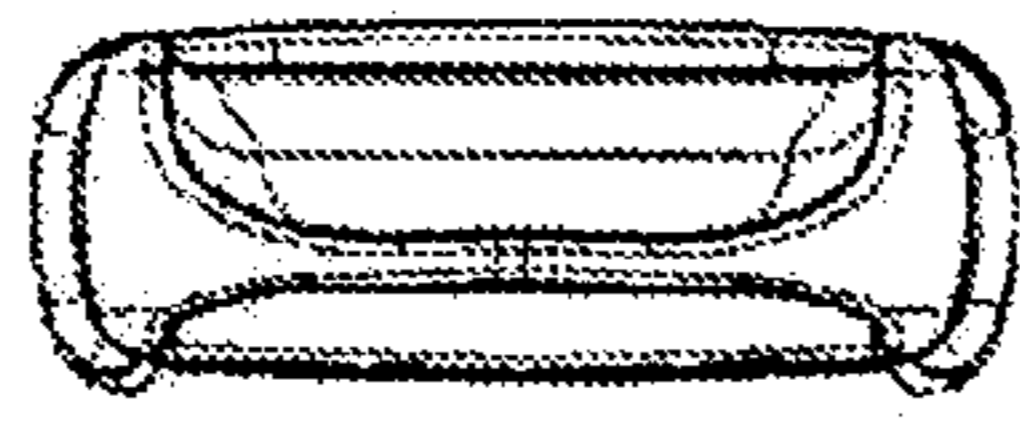


FIG. 5

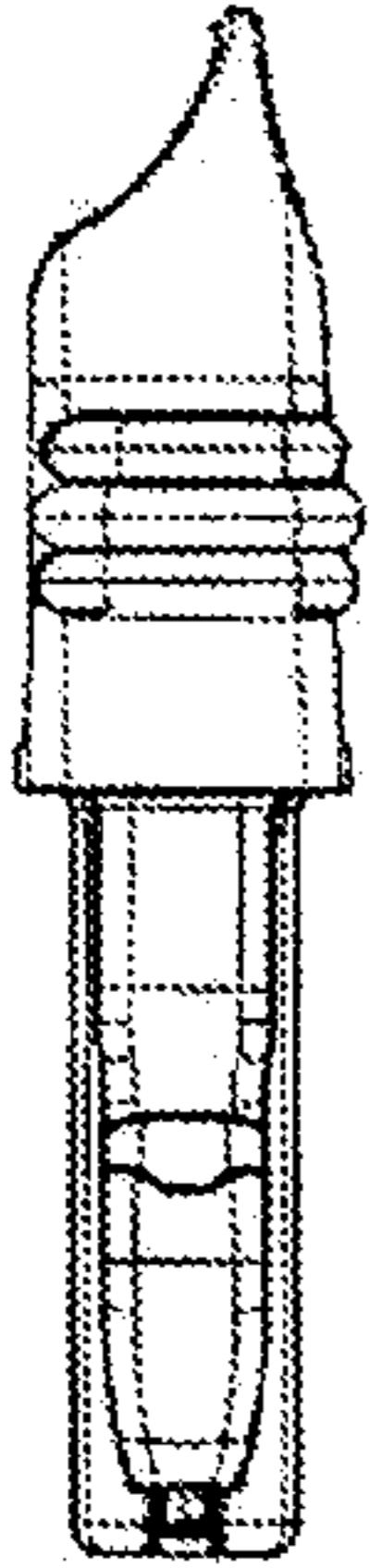


FIG. 2

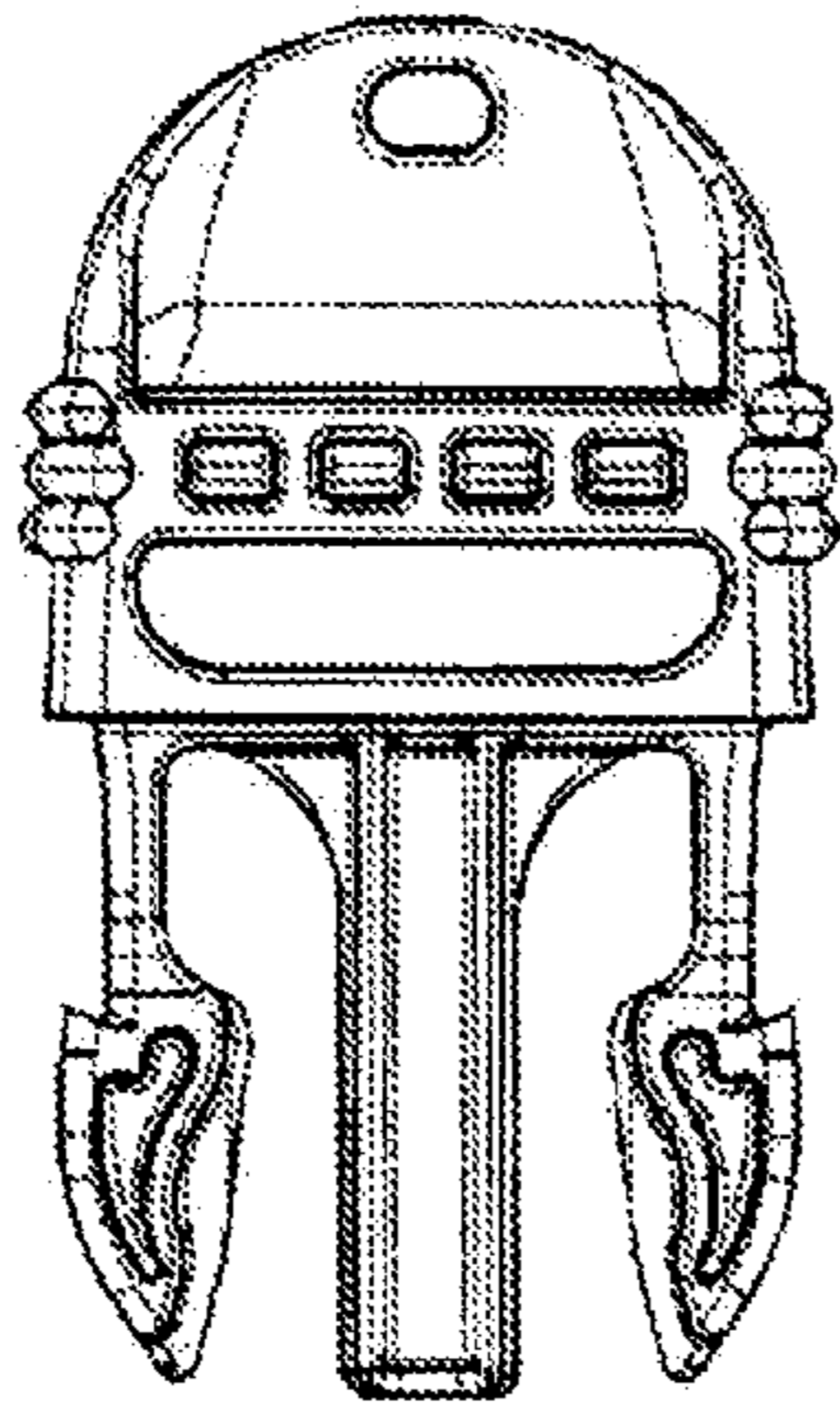


FIG. 3

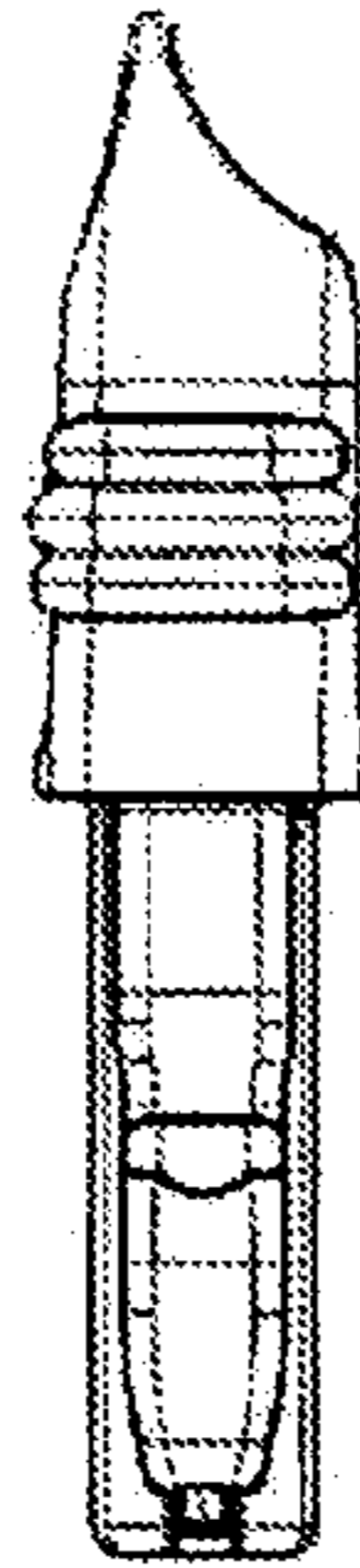


FIG. 6

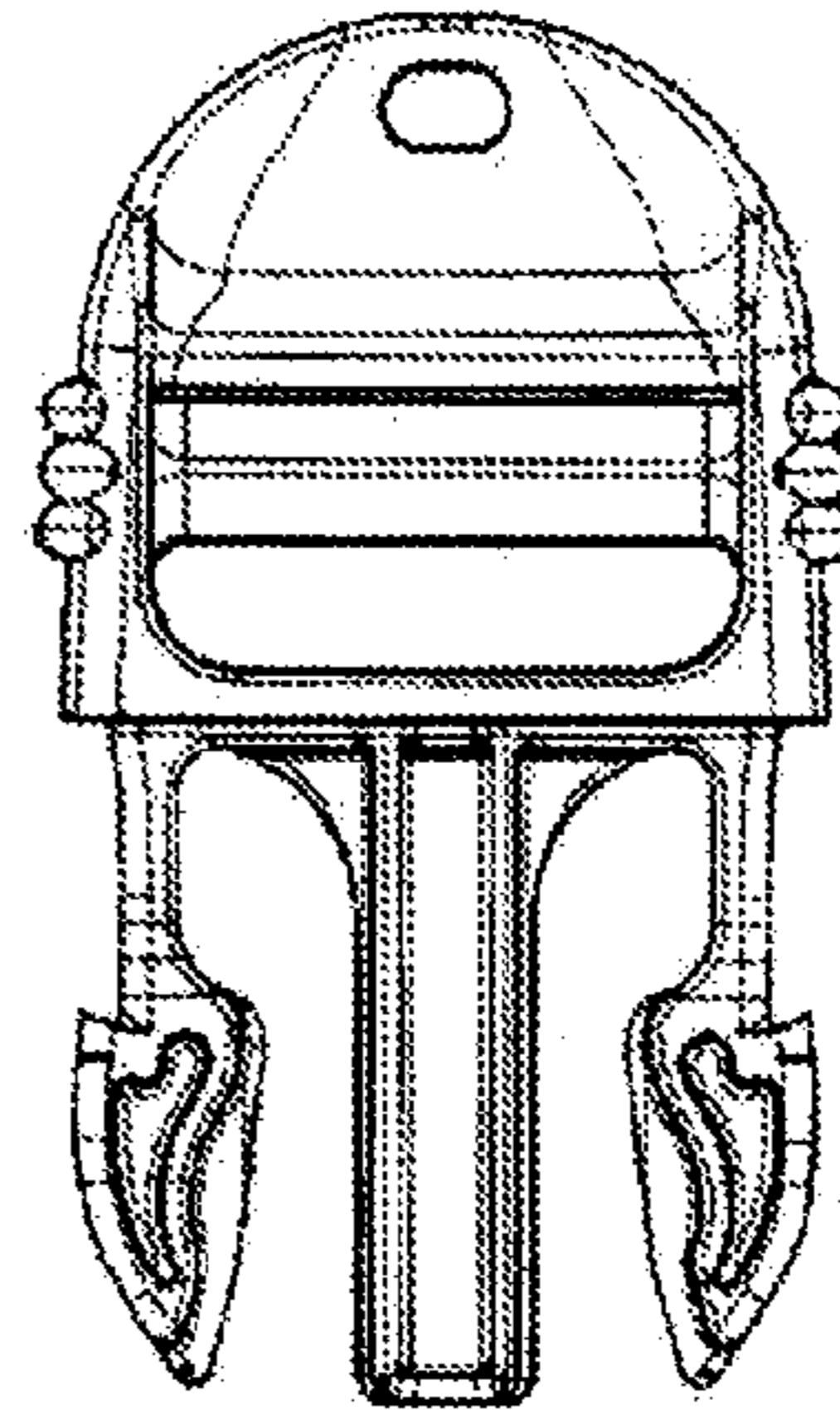


FIG. 7

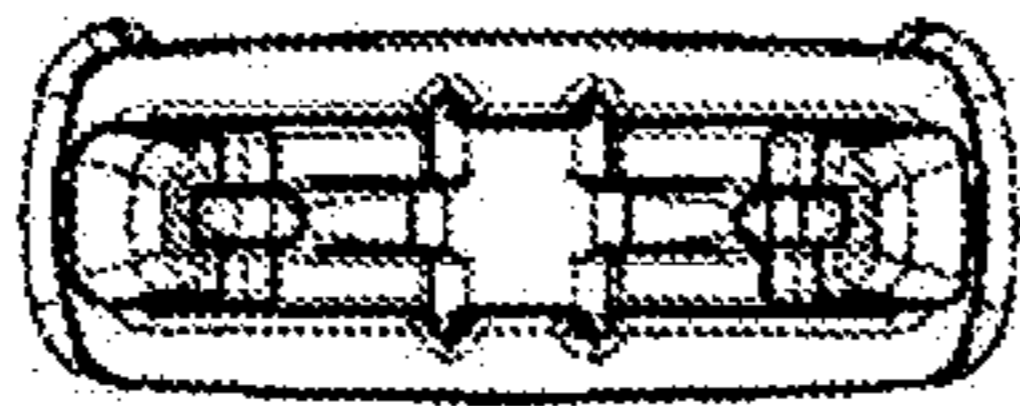


FIG. 4

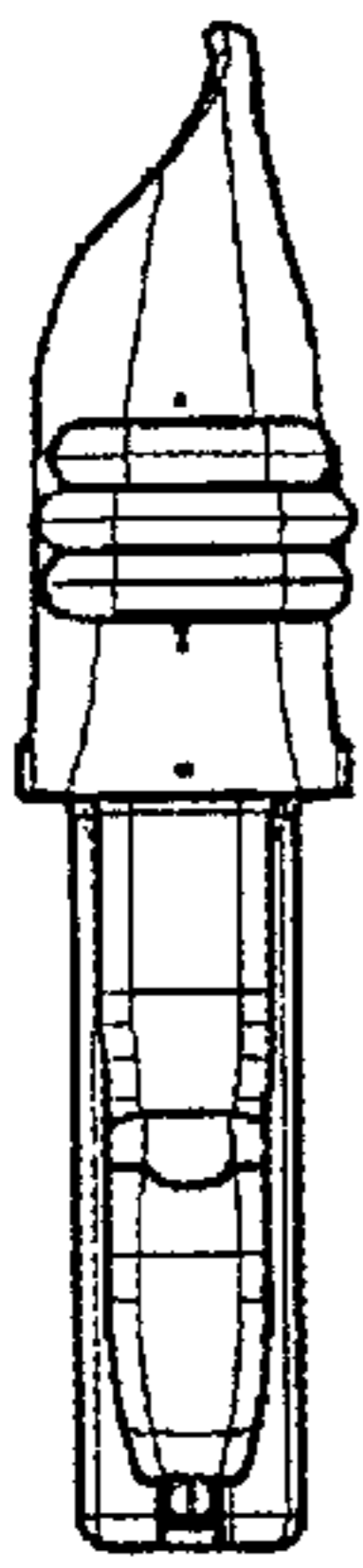


FIG. 9

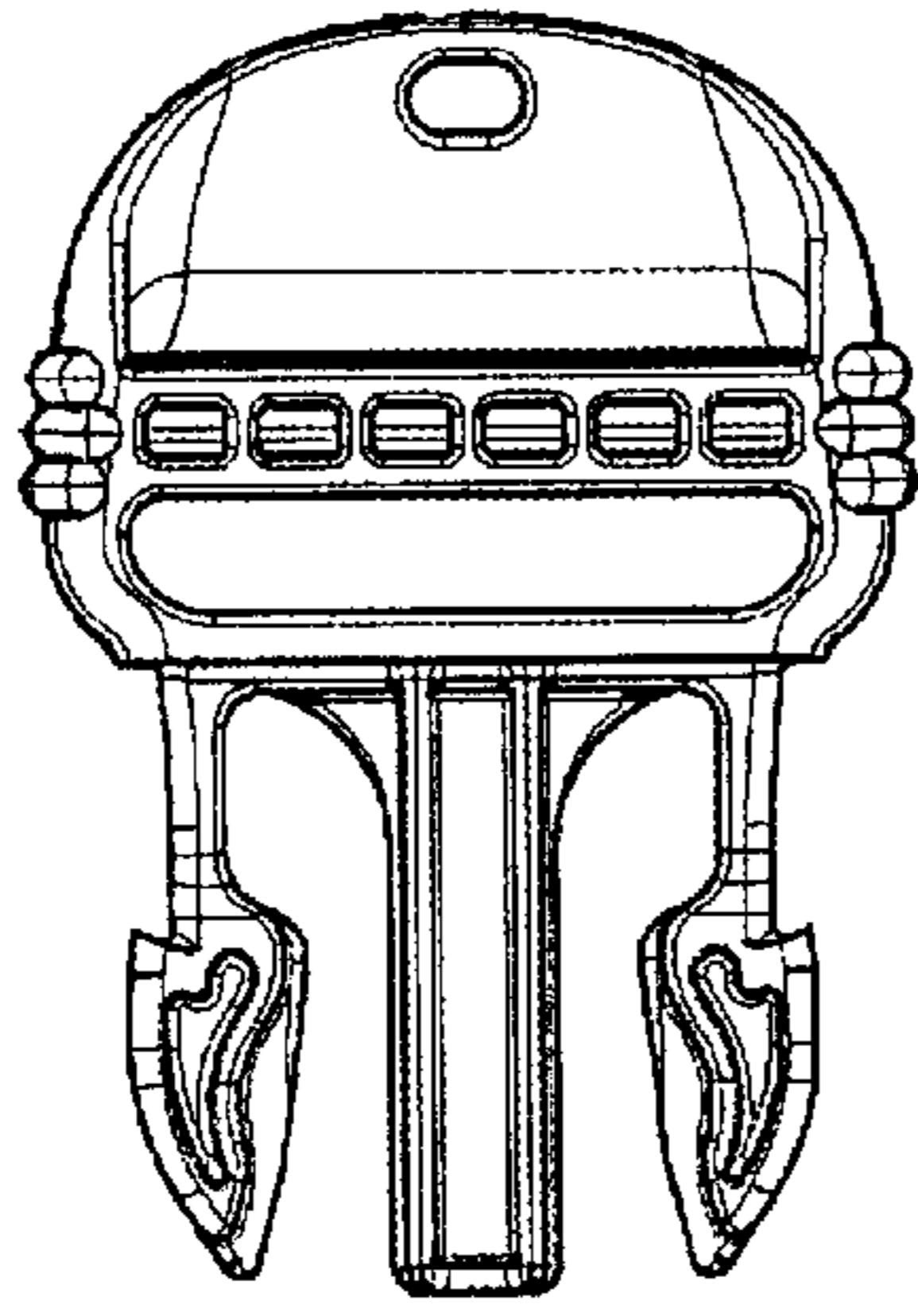


FIG. 10

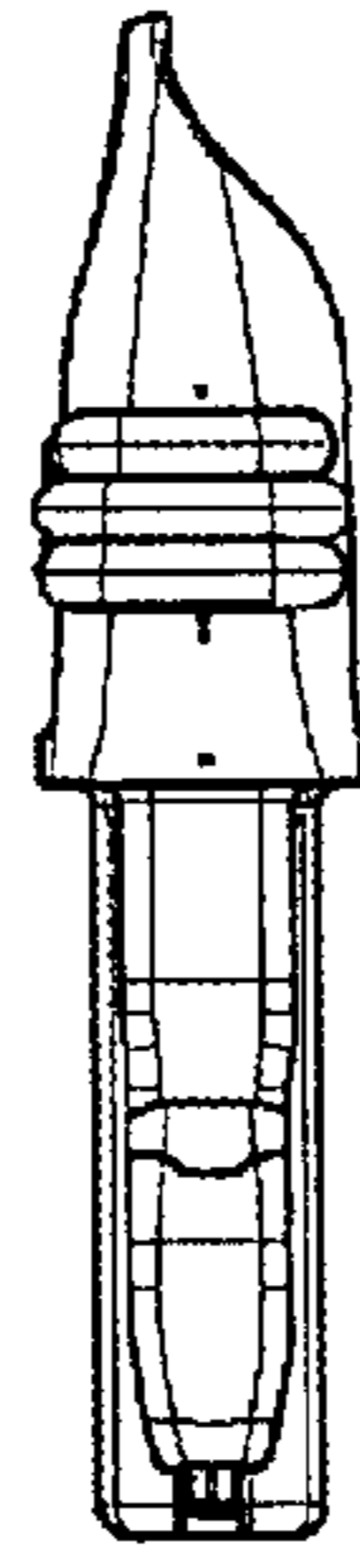


FIG. 13

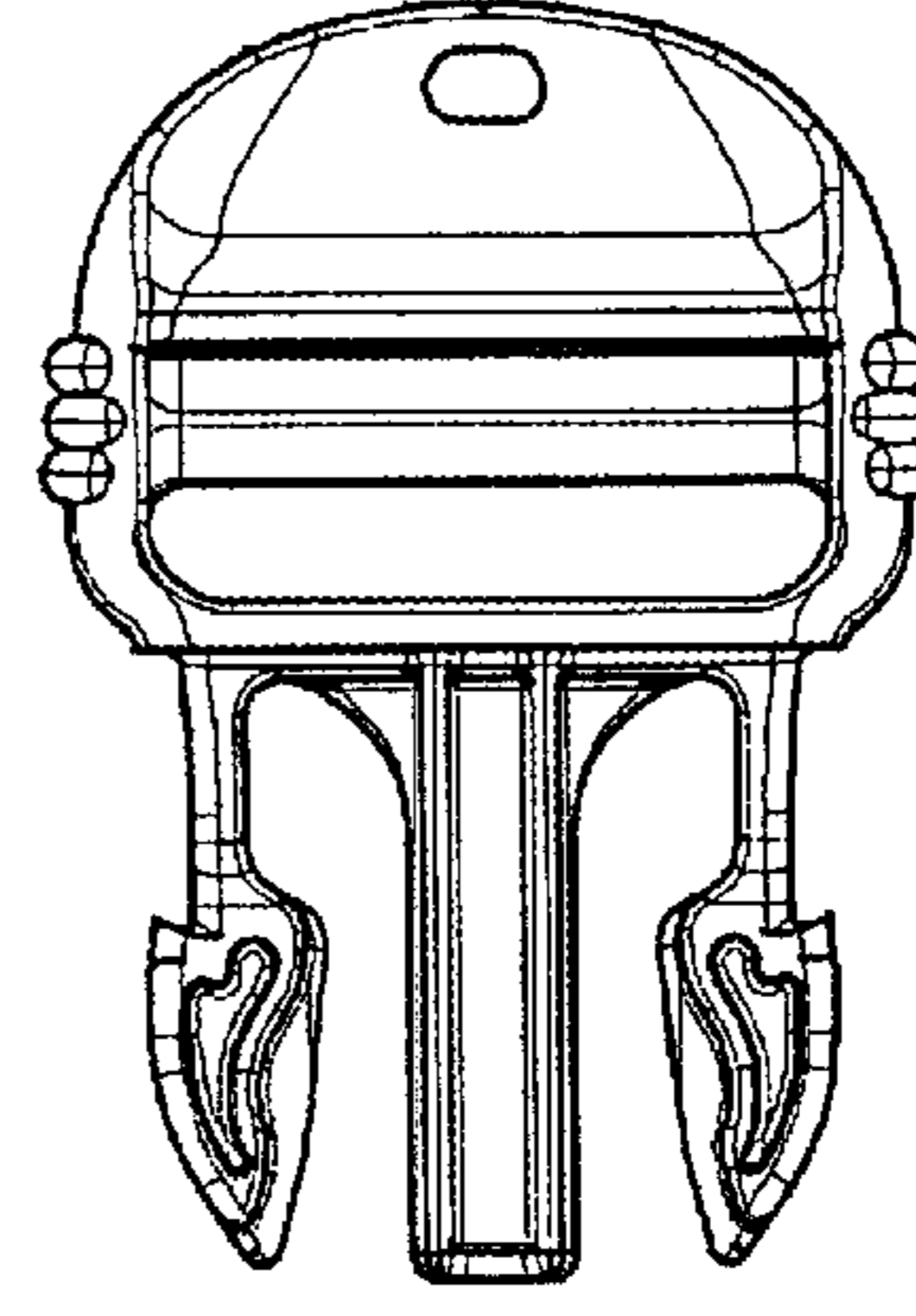


FIG. 14

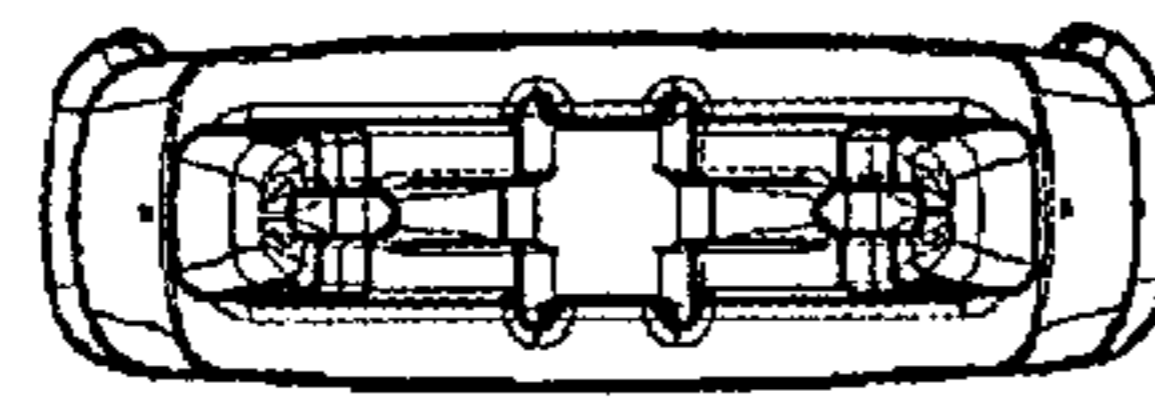


FIG. 11

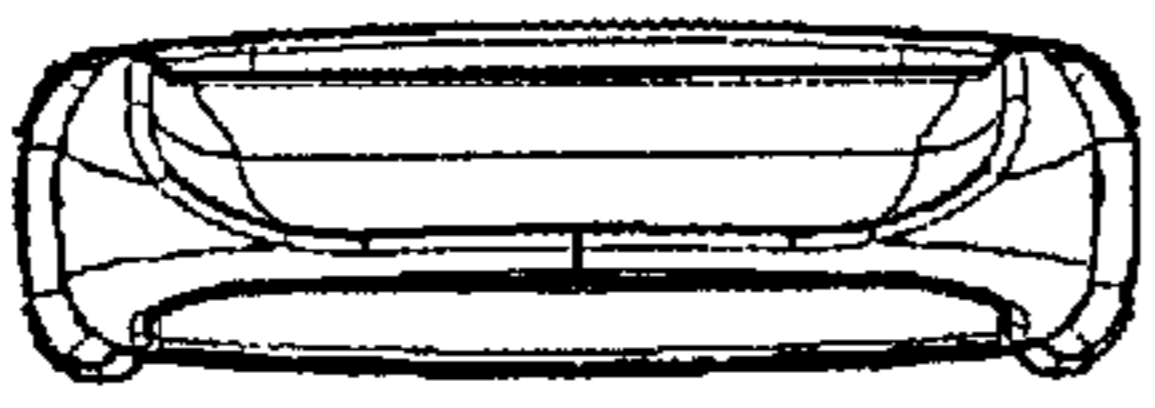


FIG. 12

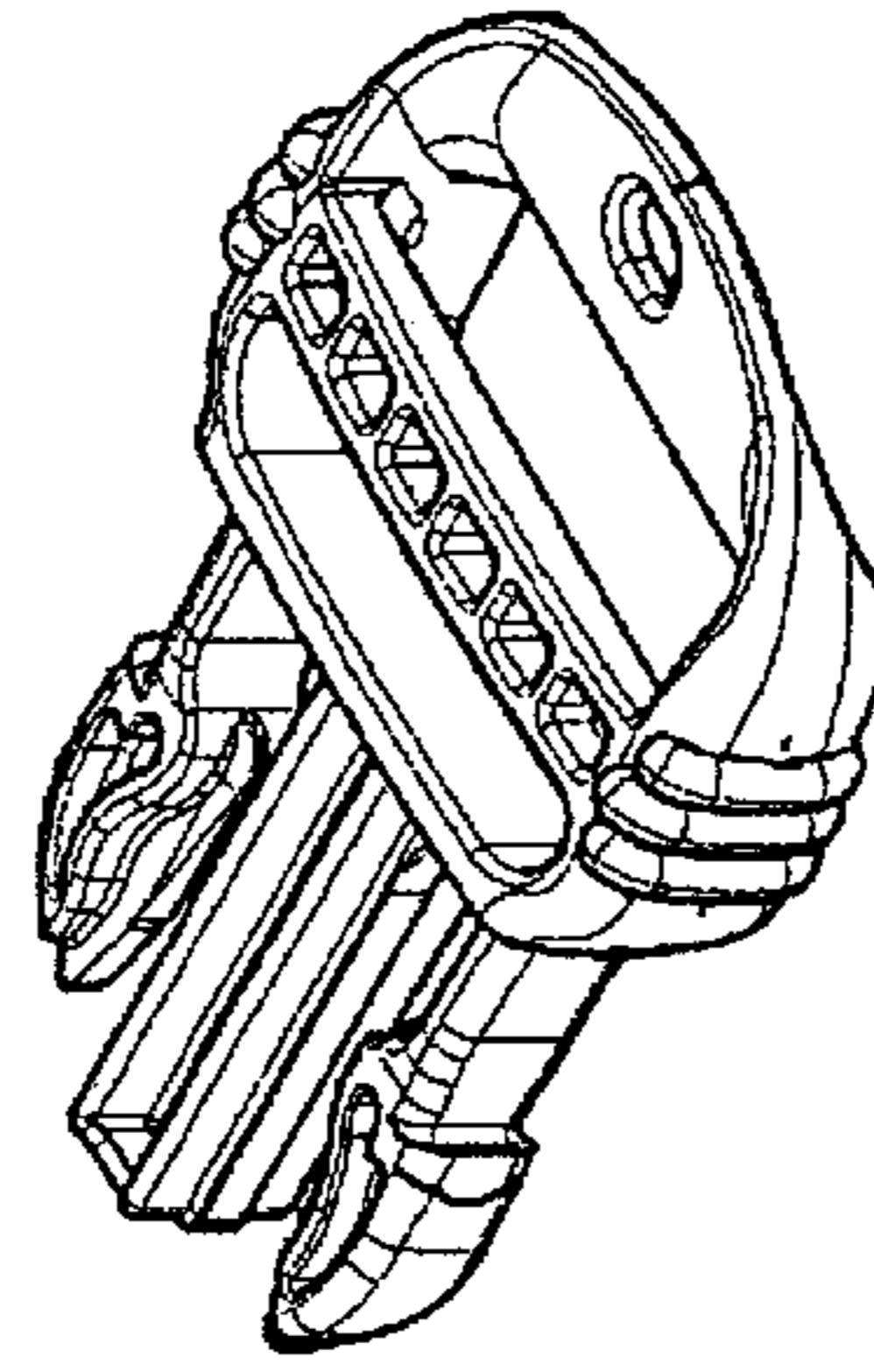


FIG. 8