



US00D538193S

(12) **United States Design Patent**  
**Mizuno**

(10) **Patent No.:** **US D538,193 S**

(45) **Date of Patent:** **\*\* Mar. 13, 2007**

(54) **PUMP**

(75) Inventor: **Kenji Mizuno**, Tokyo (JP)

(73) Assignee: **Nitto Kohki Co., Ltd.**, Tokyo (JP)

(\*\*) Term: **14 Years**

(21) Appl. No.: **29/260,164**

(22) Filed: **May 19, 2006**

(30) **Foreign Application Priority Data**

Nov. 21, 2005 (JP) ..... 2005-034236

(51) **LOC (8) Cl.** ..... **15-02**

(52) **U.S. Cl.** ..... **D11/7**

(58) **Field of Classification Search** ..... D15/7-9;  
D23/232, 231; 417/359, 415-416, 410.1,  
417/321, 265, 405

See application file for complete search history.

(56) **References Cited**

**U.S. PATENT DOCUMENTS**

D354,495 S	*	1/1995	Tojo	.....	D15/7
D419,567 S	*	1/2000	Weiss	.....	D15/7
D444,799 S	*	7/2001	Thomas et al.	.....	D15/9
D464,063 S	*	10/2002	Thomas et al.	.....	D15/9
D486,835 S	*	2/2004	Hsiao	.....	D15/9
D488,820 S	*	4/2004	Rozek	.....	D15/7
D495,342 S	*	8/2004	Tojo et al.	.....	D15/7
D496,670 S	*	9/2004	Ohnishi	.....	D15/7

D498,482 S	*	11/2004	Hsiao	.....	D15/9
D499,745 S	*	12/2004	Hsiao	.....	D15/9
D502,709 S	*	3/2005	Hsiao	.....	D15/9
D507,278 S	*	7/2005	Moser, III	.....	D15/9
D508,922 S	*	8/2005	Li et al.	.....	D15/9
D512,442 S	*	12/2005	Moser, III	.....	D15/9
D520,025 S	*	5/2006	Chu	.....	D15/9
D524,327 S	*	7/2006	Weiss et al.	.....	D15/7

**OTHER PUBLICATIONS**

Japanese Patent Office Publication No. HD15028161, dated Oct. 31, 2003, 4 pages.

\* cited by examiner

*Primary Examiner*—Ralf Seifert

(74) *Attorney, Agent, or Firm*—Brinks Hofer Gilson & Lione

(57) **CLAIM**

I claim the ornamental design for a pump, as shown and described.

**DESCRIPTION**

FIG. 1 is a front view of a pump of the present invention; FIG. 2 is a rear view thereof; FIG. 3 is a top view thereof; FIG. 4 is a bottom view thereof; FIG. 5 is a first side view thereof; and, FIG. 6 is a second side view thereof.

**1 Claim, 3 Drawing Sheets**

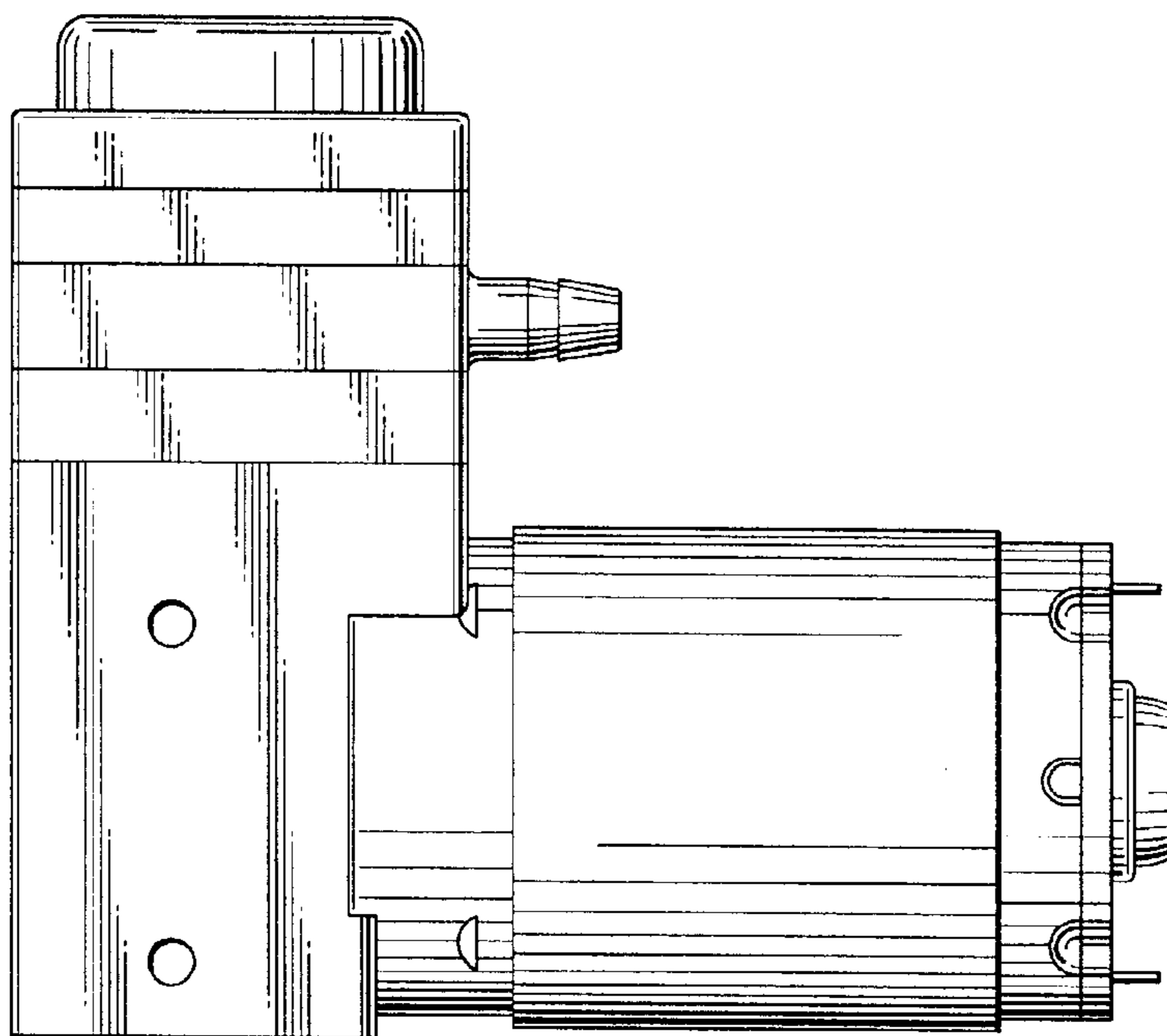


FIG. 1

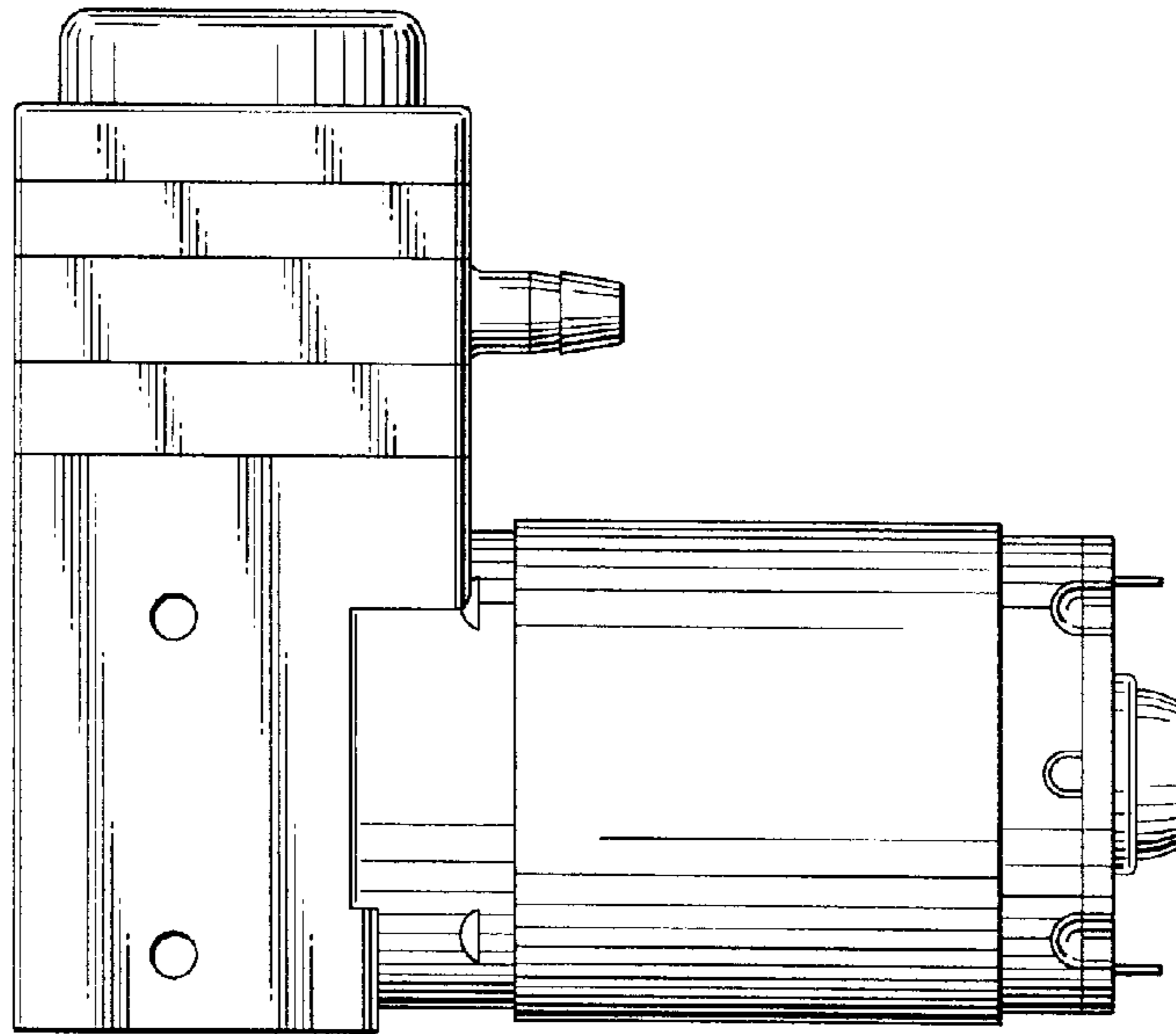


FIG. 2

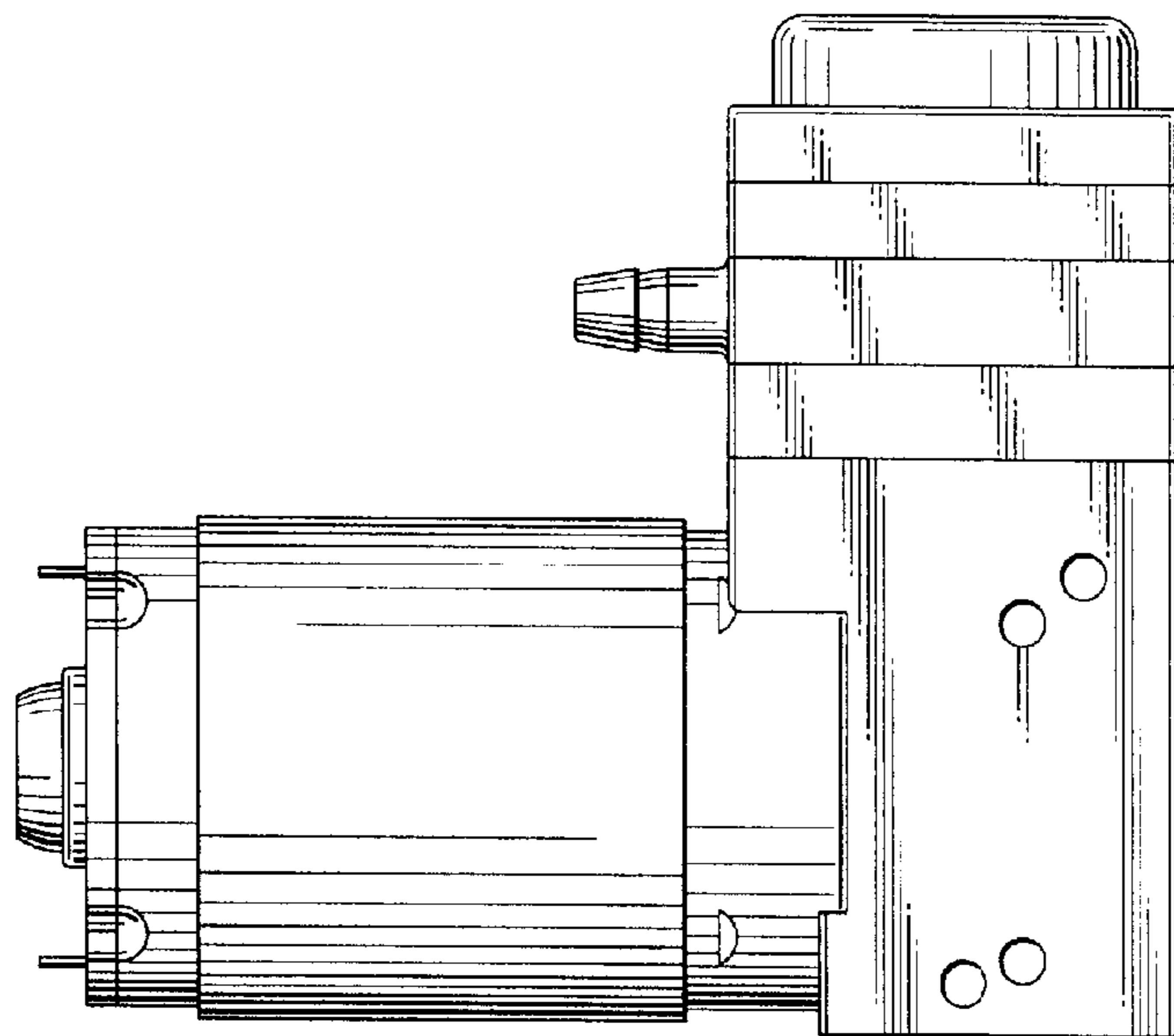


FIG. 3

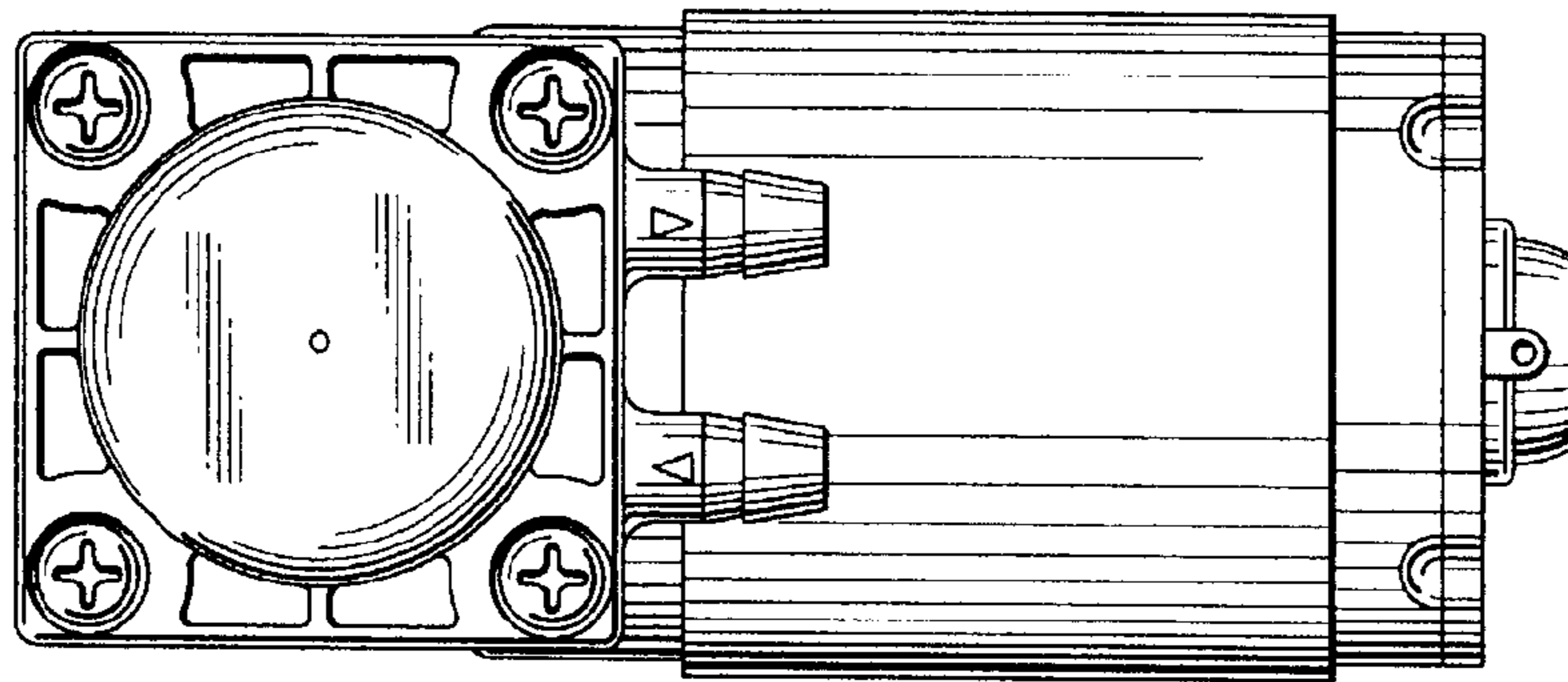


FIG. 4

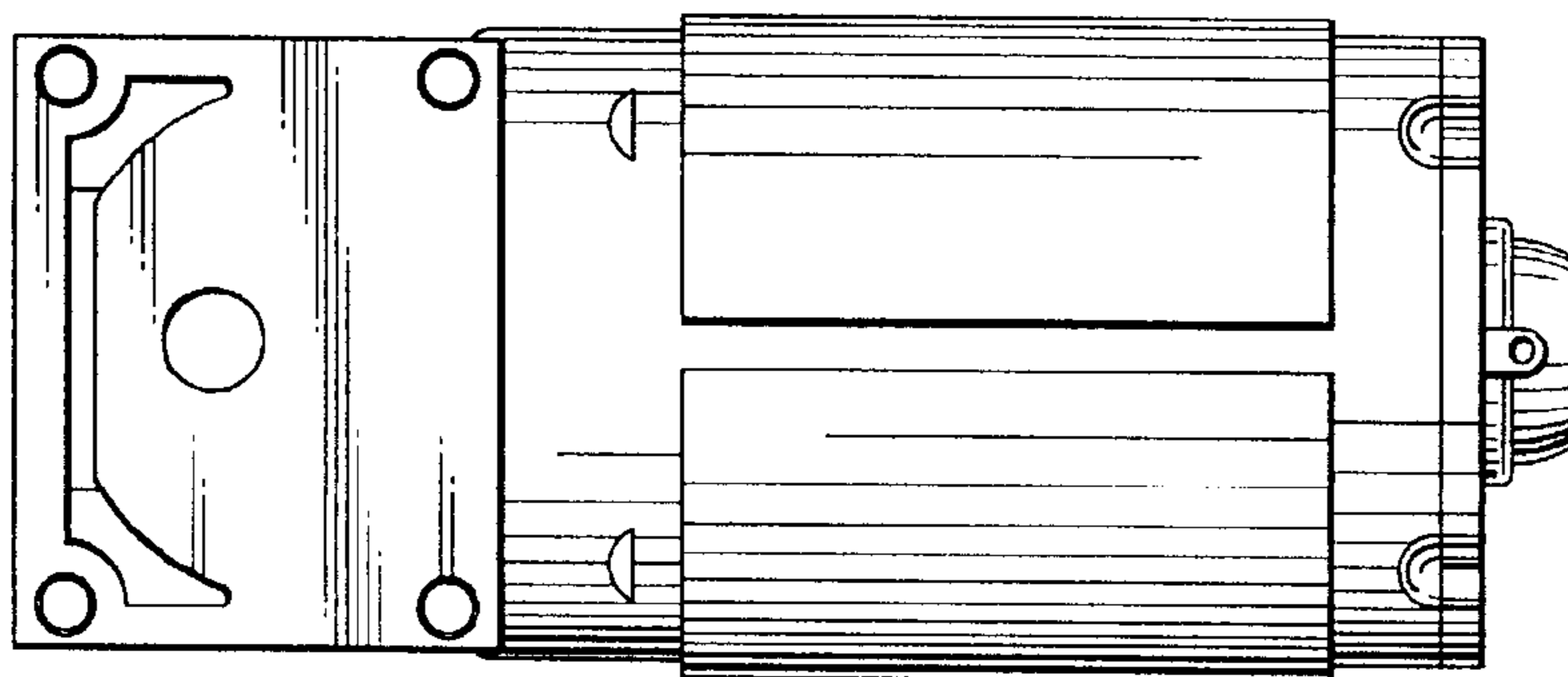


FIG. 5

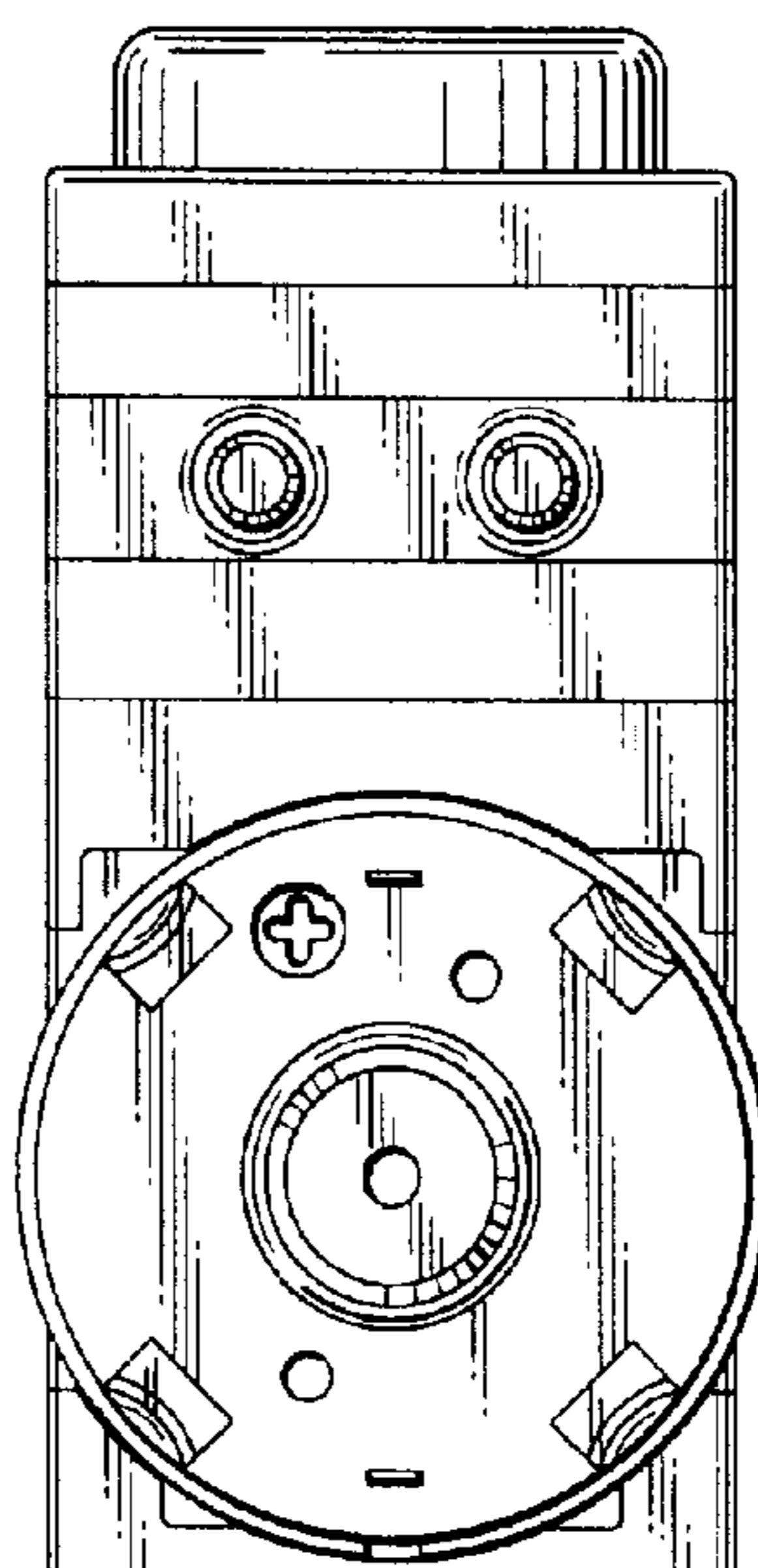


FIG. 6

