



US00D538192S

(12) **United States Design Patent**  
**Martin**

(10) **Patent No.:** **US D538,192 S**

(45) **Date of Patent:** **\*\* Mar. 13, 2007**

(54) **ARTICLE LOCATOR WITH MINI TORCH**

(75) Inventor: **Mark G. Martin**, Monrovia, CA (US)

(73) Assignee: **Sharper Image Corporation**, San Francisco, CA (US)

(\*\*) Term: **14 Years**

(21) Appl. No.: **29/212,350**

(22) Filed: **Aug. 30, 2004**

(51) **LOC (8) Cl.** ..... **10-05**

(52) **U.S. Cl.** ..... **D10/106**

(58) **Field of Classification Search** ..... D10/106,  
D10/104, 121, 31, 32, 38; D13/168; D14/137,  
D14/155, 218, 225; D3/208, 201, 209; 340/573.1,  
340/573.4; 40/539.15; D26/51, 39, 38, 37  
See application file for complete search history.

(56) **References Cited**

**U.S. PATENT DOCUMENTS**

D375,372 S	*	11/1996	Allen	.....	D26/37
D398,588 S	*	9/1998	Pinardi et al.	.....	D13/168
D423,462 S	*	4/2000	Jimenez et al.	.....	D13/168
D425,226 S	*	5/2000	Galli	.....	D26/37
D443,543 S	*	6/2001	Jost	.....	D10/106
D459,263 S	*	6/2002	Flick	.....	D10/106
D459,314 S	*	6/2002	Flick	.....	D13/168
D461,457 S	*	8/2002	Lin	.....	D13/168
D476,766 S	*	7/2003	Halasz	.....	D26/38

D481,768 S	*	11/2003	Aisenberg	.....	D21/517
D488,921 S	*	4/2004	Zhang	.....	D3/209
D500,015 S	*	12/2004	Gubbe	.....	D13/168
D510,536 S	*	10/2005	Li	.....	D10/106
D513,236 S	*	12/2005	Hunt et al.	.....	D13/168
D514,241 S	*	1/2006	Franks et al.	.....	D26/38
D523,236 S	*	6/2006	Martin	.....	D3/209

\* cited by examiner

*Primary Examiner*—Cathron C. Brooks

*Assistant Examiner*—Austin Murphy

(74) *Attorney, Agent, or Firm*—Bell, Boyd & Lloyd, LLC

(57) **CLAIM**

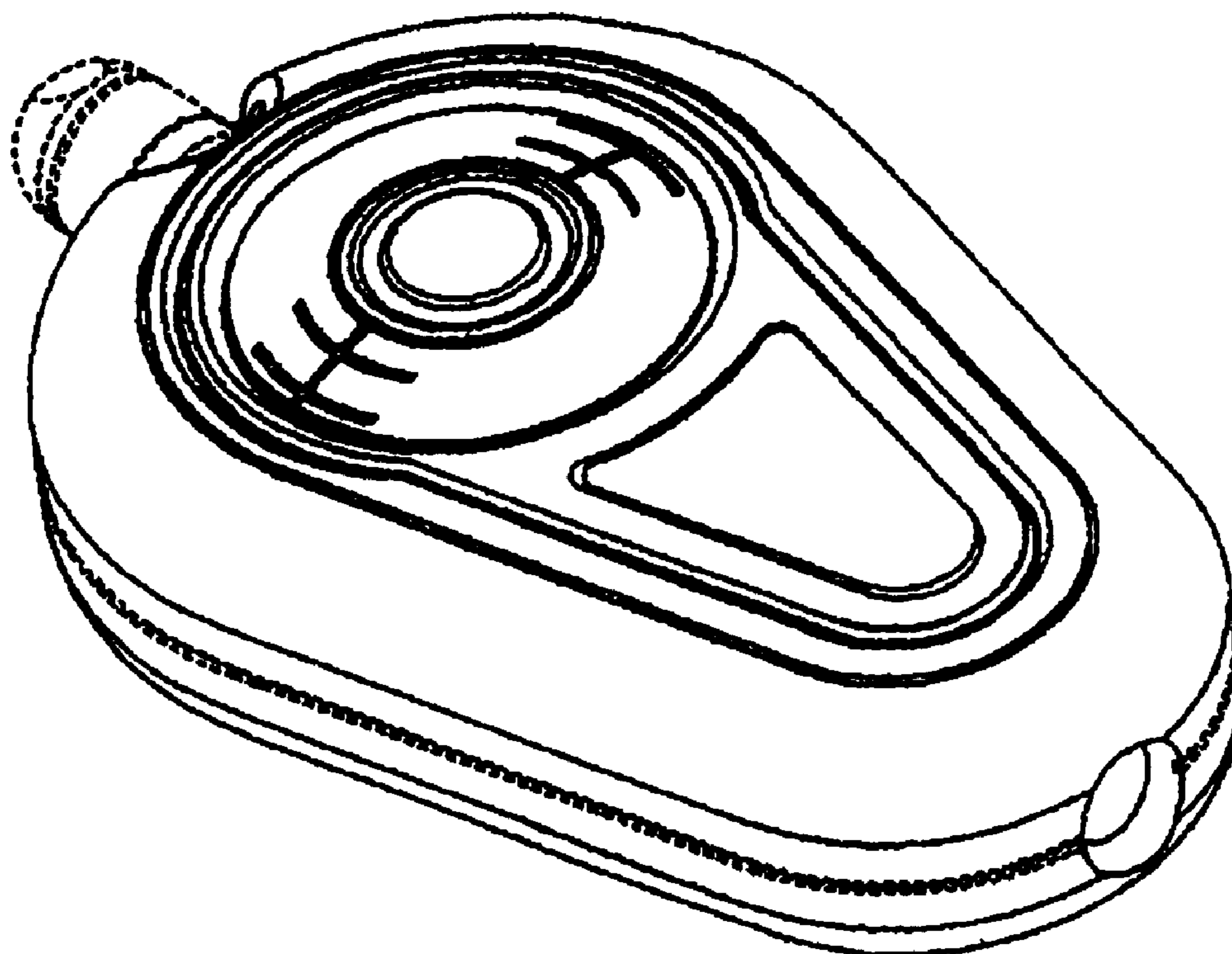
The ornamental design for an article locator with mini torch, as shown and described.

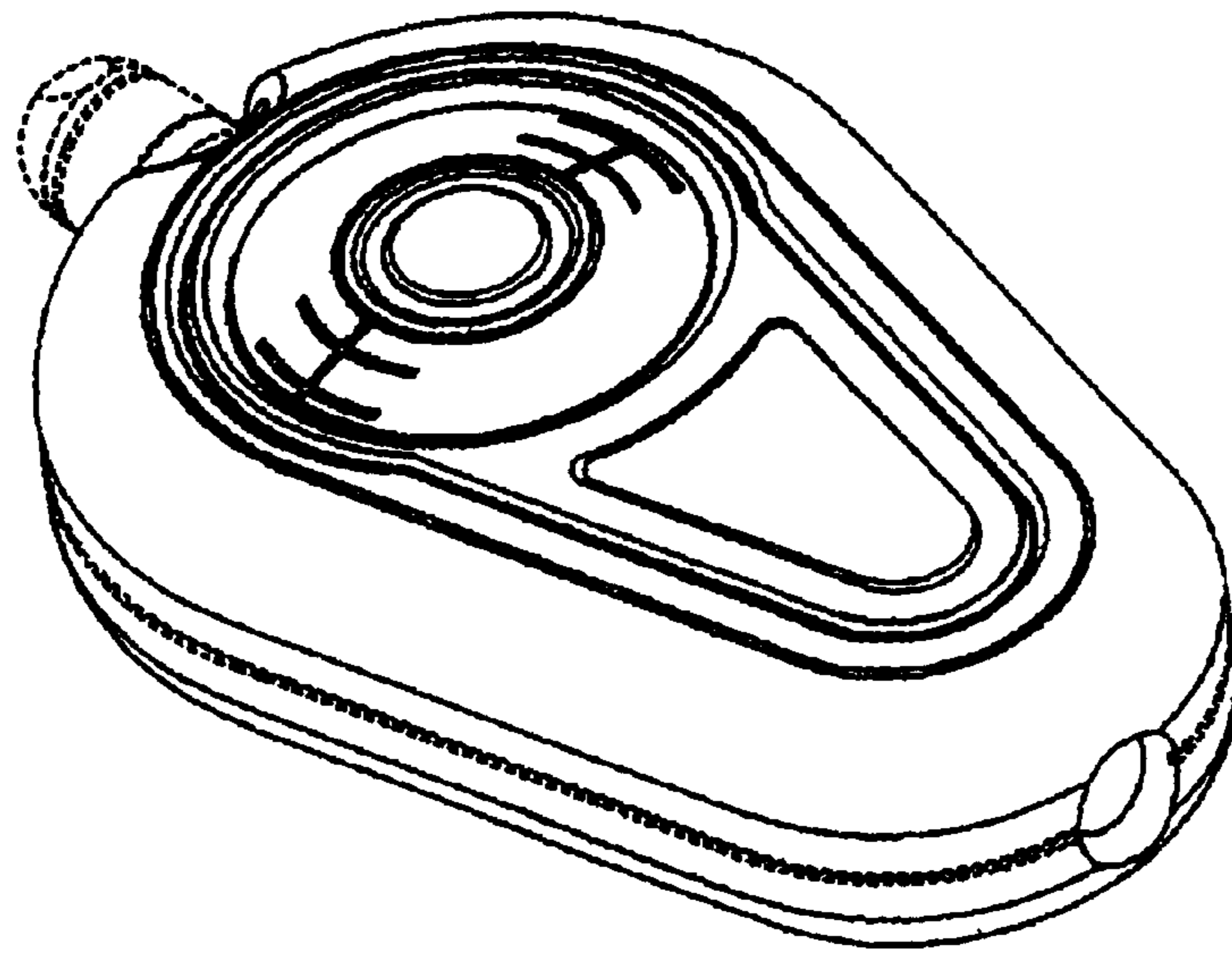
**DESCRIPTION**

FIG. 1 is a front perspective view of an article locator with mini torch, showing my new design; FIG. 2 is a rear perspective view thereof; FIG. 3 is a front view thereof; FIG. 4 is a rear view thereof; FIG. 5 is a top view thereof; FIG. 6 is a right side view thereof; the left side view is a mirror image of the right side view, and is thus omitted; and, FIG. 7 is a bottom view thereof.

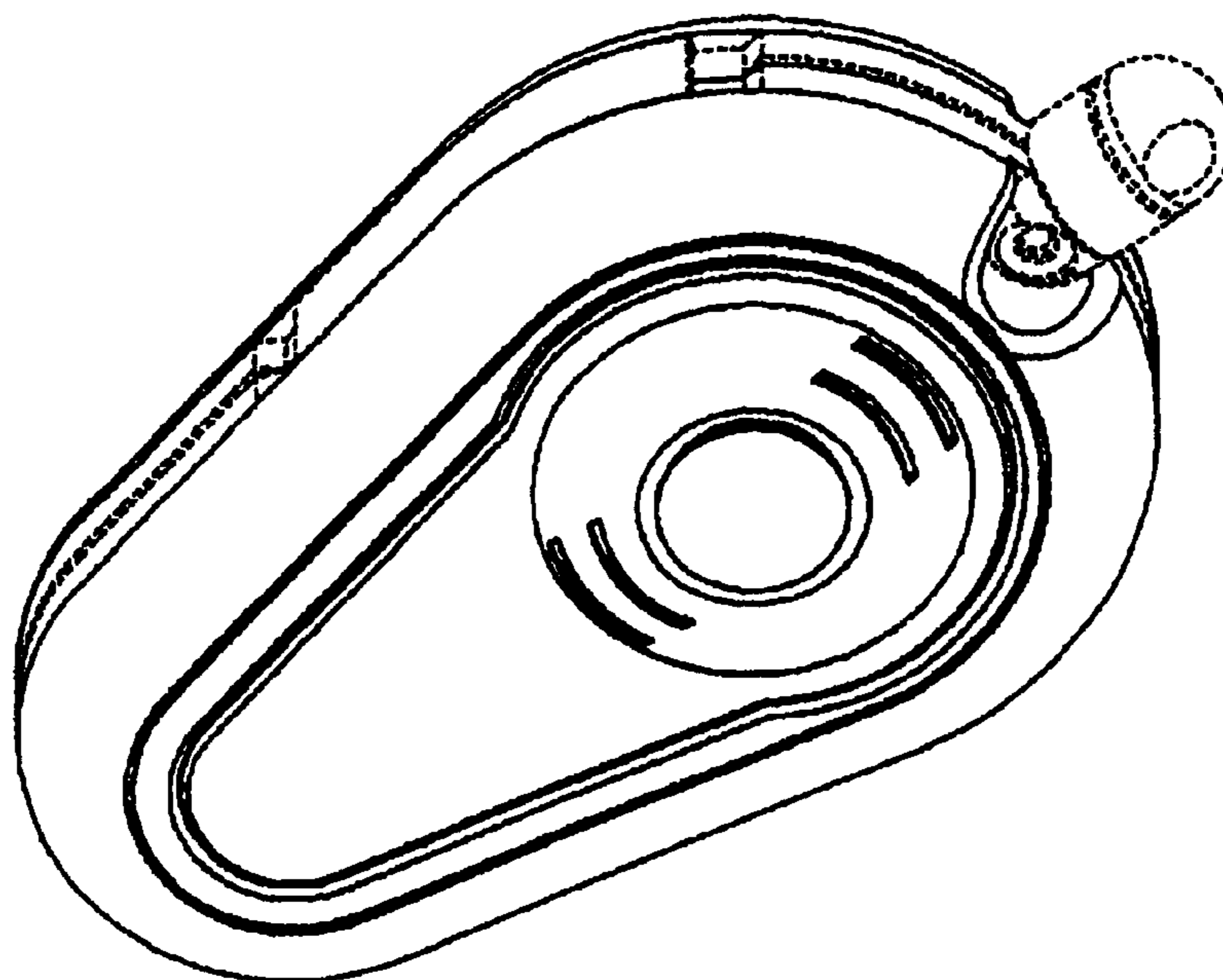
The broken lines in FIGS. 1 to 7 are for illustrative purposes only and form no part of the claimed design.

**1 Claim, 3 Drawing Sheets**

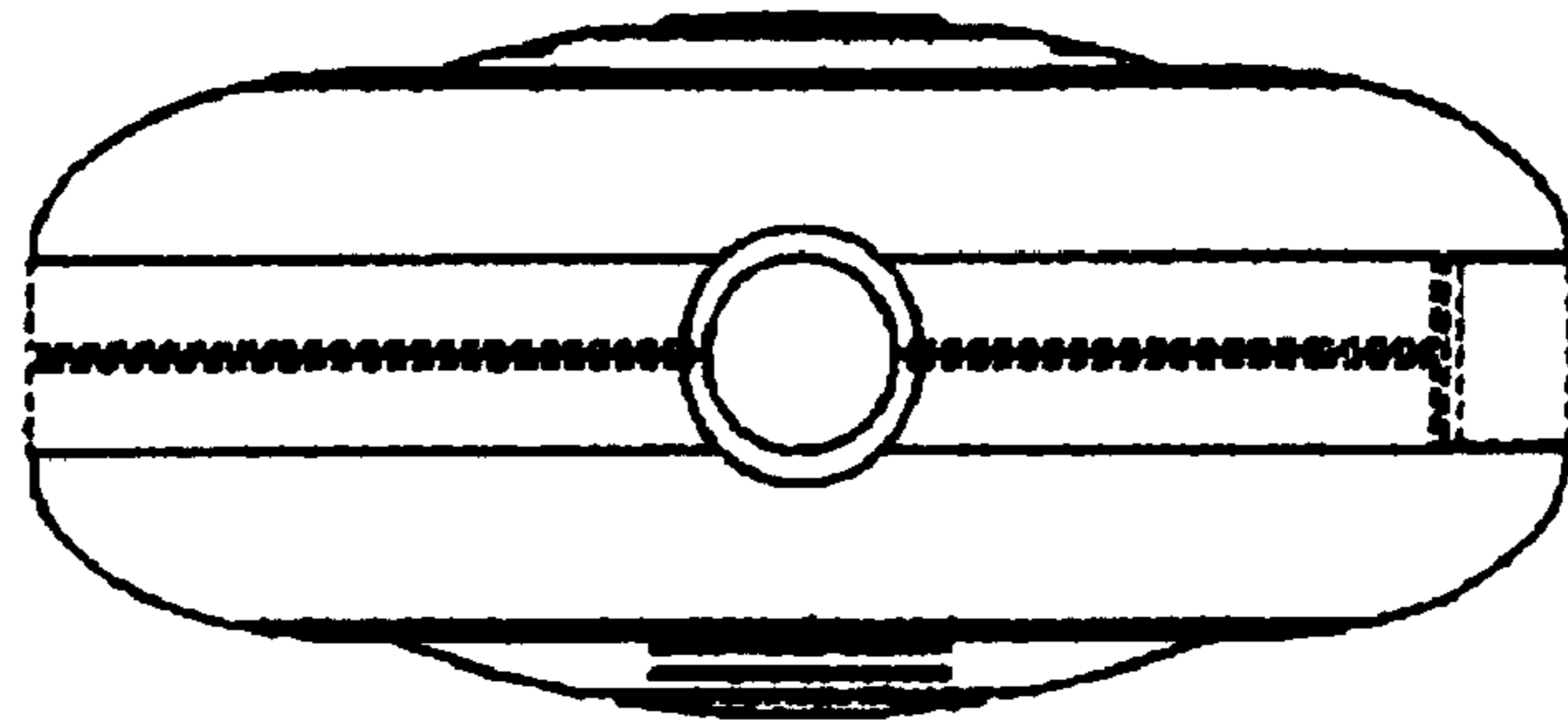




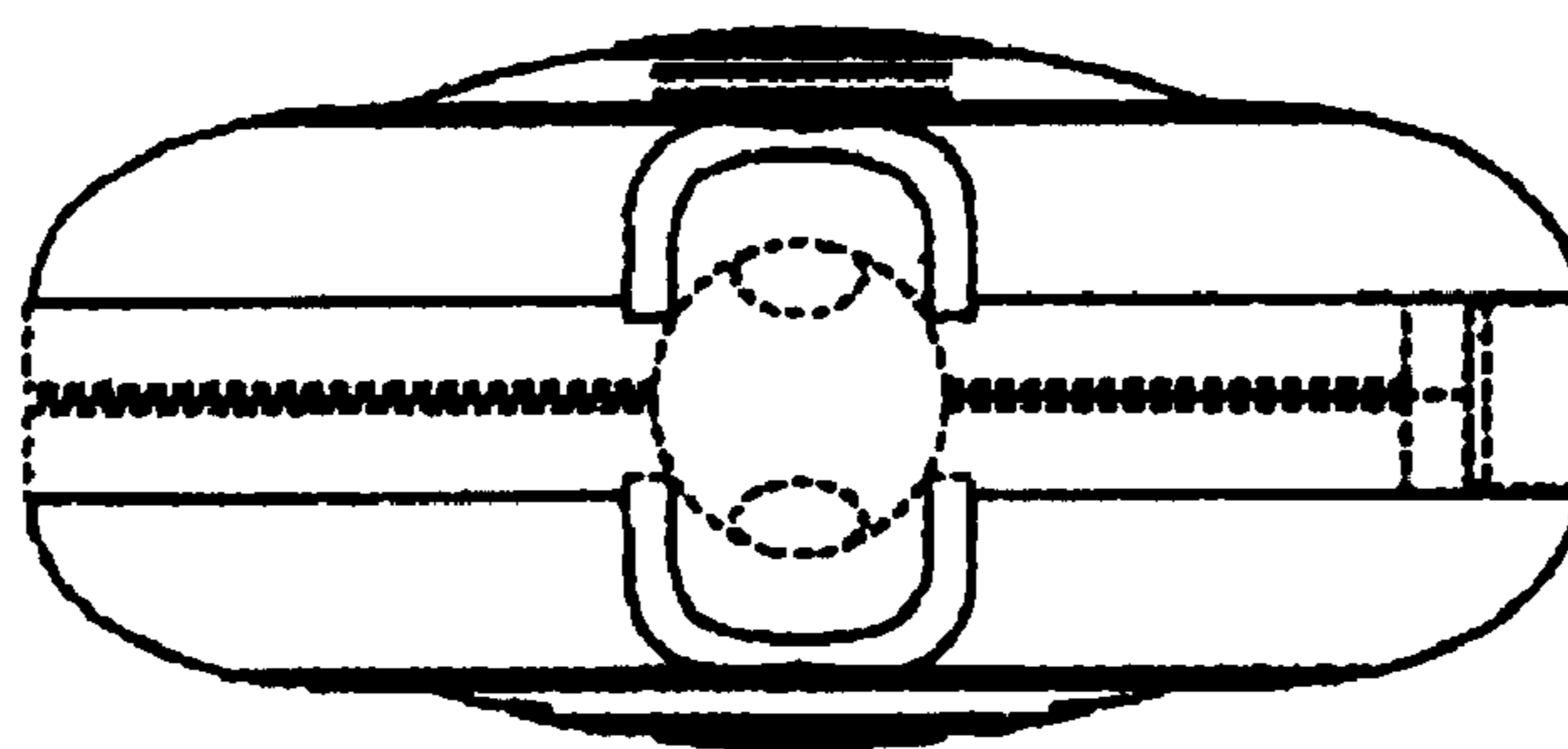
*Fig. 1*



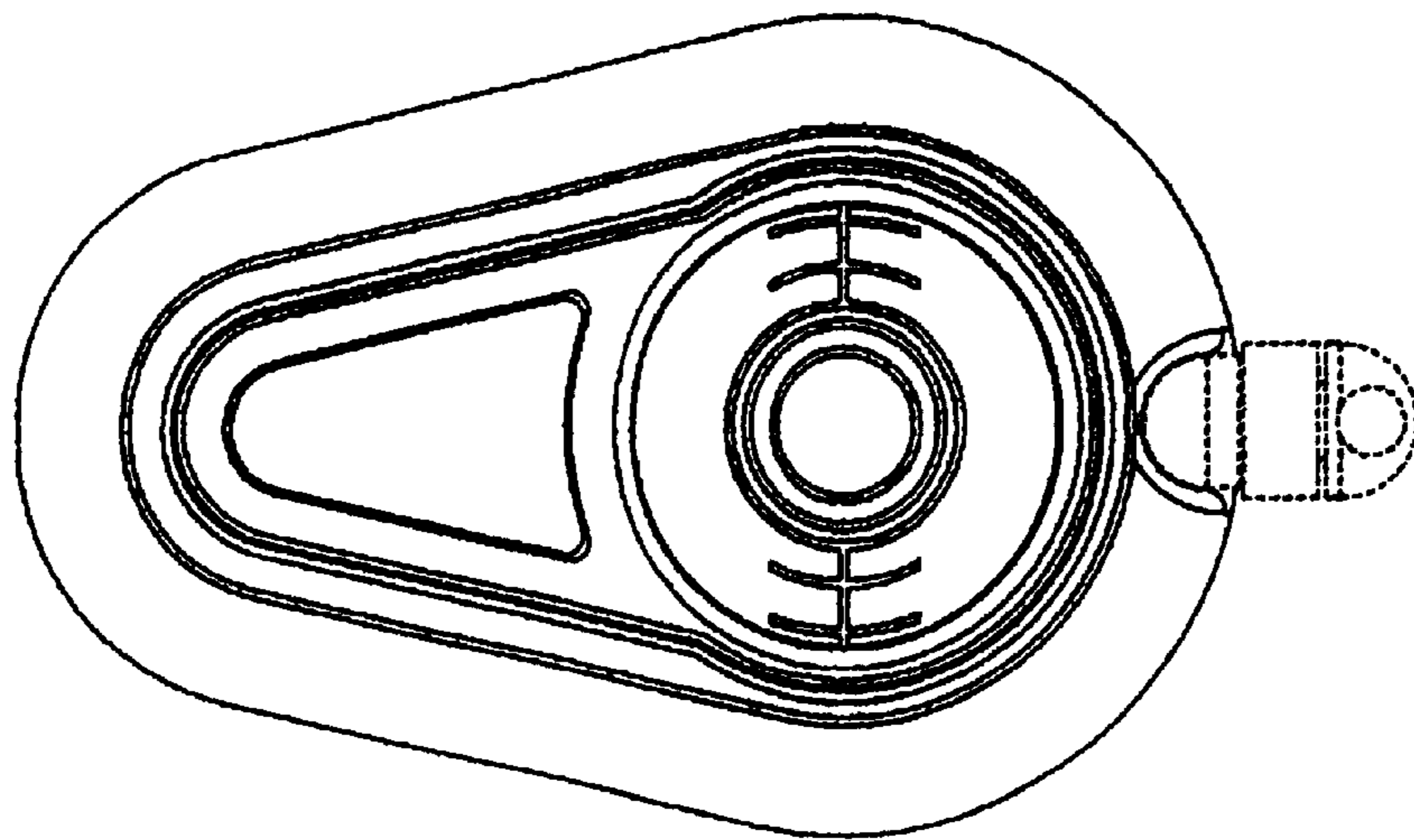
*Fig. 2*



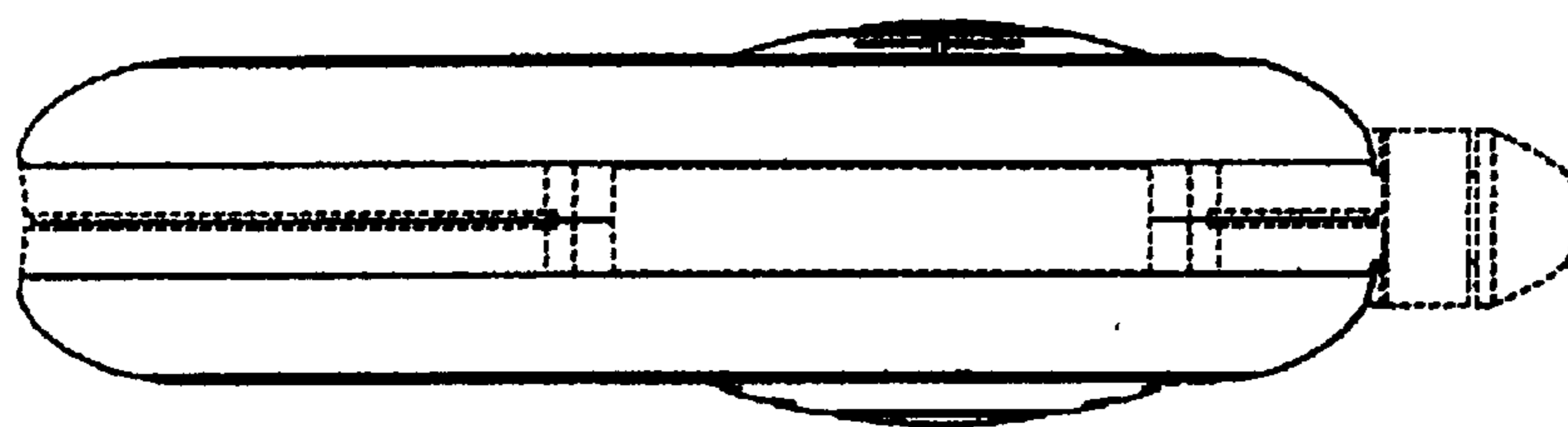
*Fig. 3*



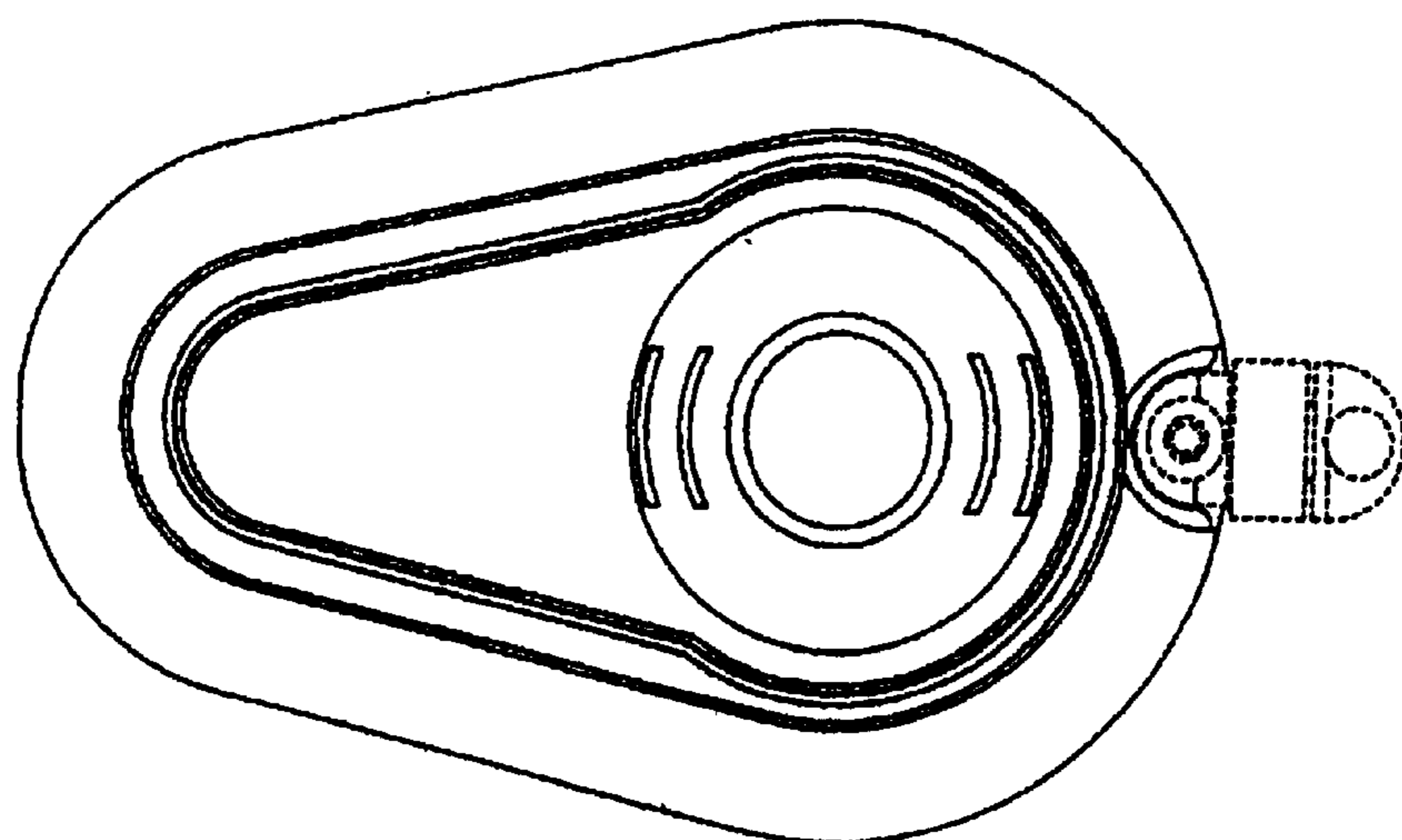
*Fig. 4*



*Fig. 5*



*Fig. 6*



*Fig. 7*