



US00D538179S

(12) **United States Design Patent**  
**Horton et al.**

(10) **Patent No.:** **US D538,179 S**  
(45) **Date of Patent:** **\*\* Mar. 13, 2007**

- (54) **CONTAINER CLIP**
- (75) Inventors: **Thomas C. Horton**, Newburgh, IN (US); **Nancy Teppen**, Evansville, IN (US)
- (73) Assignee: **Bristol-Myers Squibb Company**, Princeton, NJ (US)
- (\*\*) Term: **14 Years**

4,991,894 A	2/1991	Rutens	294/170
5,016,750 A	5/1991	Gordon	206/150
5,137,319 A	8/1992	Sauder	294/159
D329,380 S	9/1992	Hazlett et al.	D9/455
D331,194 S	11/1992	Pezzoli et al.	D9/434
D331,698 S	12/1992	Pezzoli et al.	D9/434
D331,699 S	12/1992	Araujo, Jr. et al.	D9/434
5,168,990 A	12/1992	Johnson	206/151
5,174,441 A	12/1992	Marco	206/150

(Continued)

- (21) Appl. No.: **29/242,665**
- (22) Filed: **Nov. 14, 2005**

**FOREIGN PATENT DOCUMENTS**

EP	436107	11/1990
FR	2682086	3/1992

- (51) **LOC (8) Cl.** ..... **09-03**
  - (52) **U.S. Cl.** ..... **D9/752**
  - (58) **Field of Classification Search** ..... D9/751-753, D9/434, 455, 456; D3/313, 315; 206/150, 206/151, 158, 159, 160-162, 147, 199, 179, 206/203; 294/87.28, 87.2, 159
- See application file for complete search history.

*Primary Examiner*—Stella Reid  
*Assistant Examiner*—Mark Goodwin  
 (74) *Attorney, Agent, or Firm*—Nelson Mullins Riley & Scarborough, LLP

(57) **CLAIM**

The ornamental design for a container clip, substantially as shown and described.

(56) **References Cited**

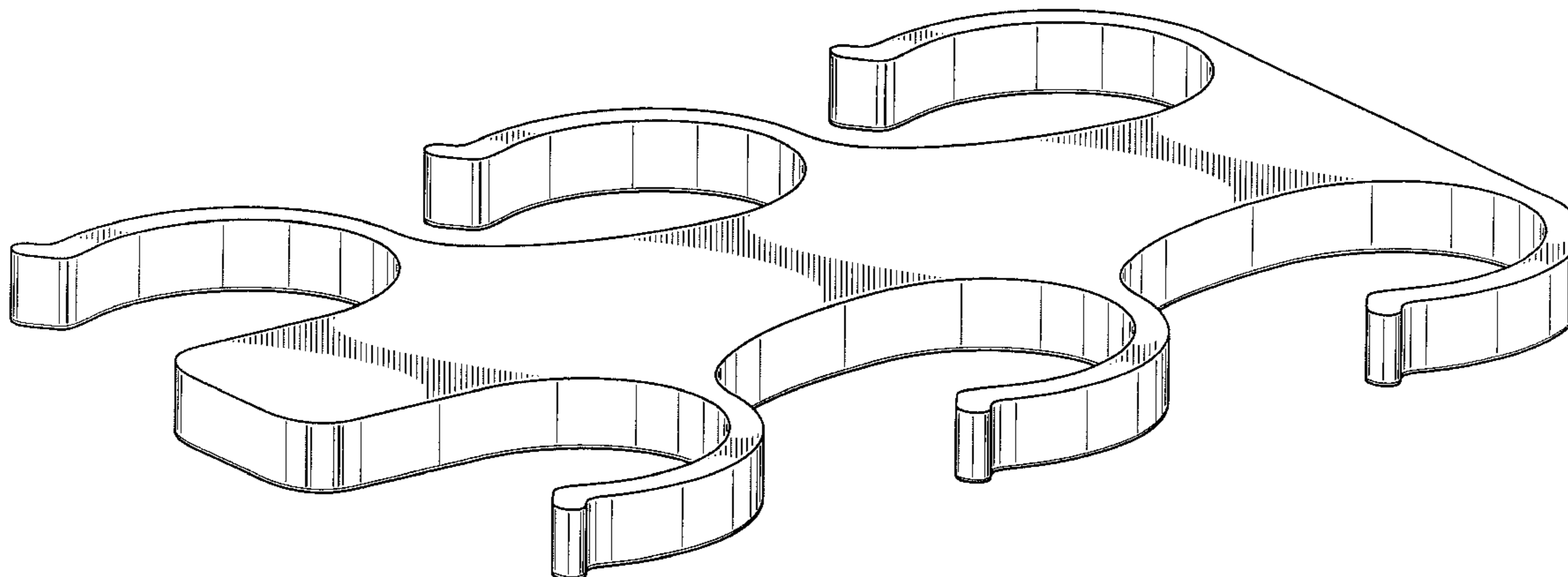
**U.S. PATENT DOCUMENTS**

2,264,903 A	12/1941	Kruea	224/45
2,637,475 A	5/1953	Gialanella	224/45
D180,901 S	9/1957	Glazer	D58/5
2,996,329 A	8/1961	Glazer	294/87.2
3,028,189 A	4/1962	Gialanella	294/87.2
3,744,626 A	7/1973	Dreyfus	206/65 C
4,560,064 A	12/1985	Peterson et al.	206/159
4,566,591 A	1/1986	Turtschan et al.	206/427
4,569,440 A	2/1986	Steiger	206/159
4,623,185 A	11/1986	Thomas	294/87.28
4,752,001 A	6/1988	Olsen	206/150
4,889,245 A	12/1989	Rinke	211/49.1
4,917,428 A	4/1990	Sola	294/87.28
4,930,829 A	6/1990	Paulson	294/87.2
D314,150 S	1/1991	Preciutti	D9/455
4,986,431 A	1/1991	McCarter	220/23.2

**DESCRIPTION**

FIG. 1 is a perspective view of a container clip embodying the design of the present invention;  
 FIG. 2 is a right side elevational view of the container clip illustrated in FIG. 1, the left side elevational view being a mirror image of the right side elevational view;  
 FIG. 3 is a front elevational view of the container clip illustrated in FIG. 1;  
 FIG. 4 is a rear elevational view of the container clip illustrated in FIG. 1;  
 FIG. 5 is a top view of the container clip illustrated in FIG. 1; and,  
 FIG. 6 is a bottom view of the container clip illustrated in FIG. 1.

**1 Claim, 3 Drawing Sheets**

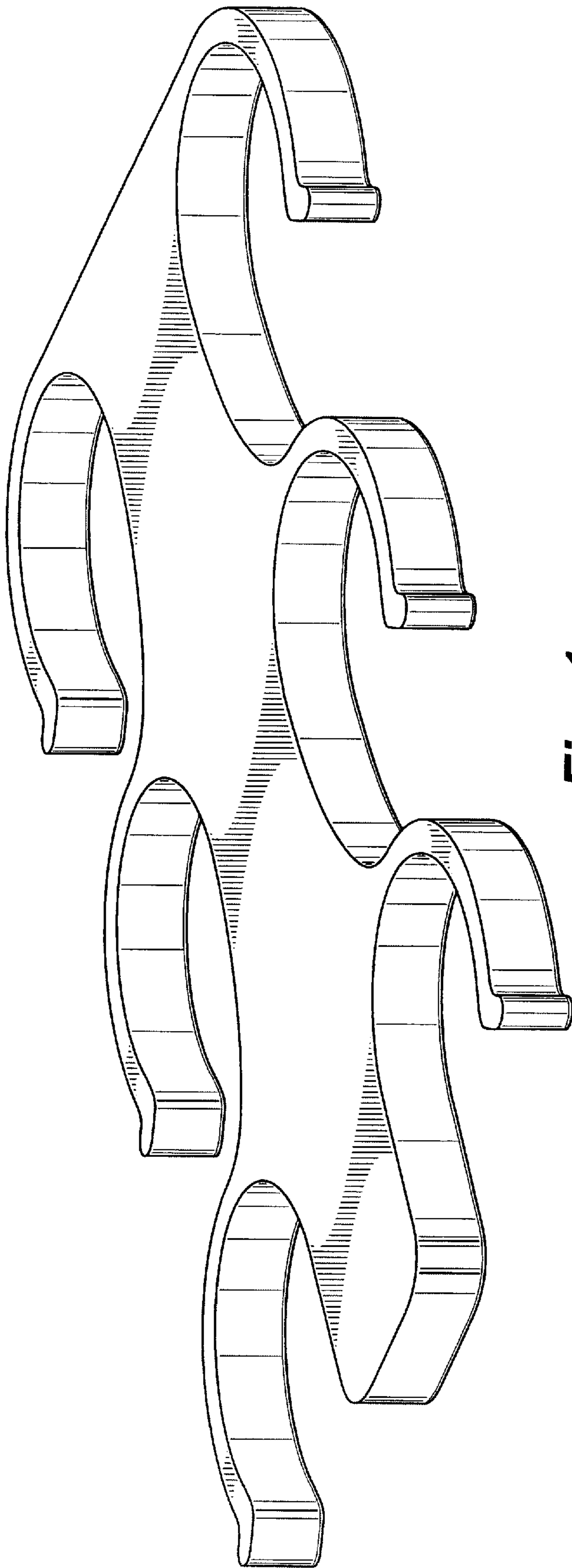


# US D538,179 S

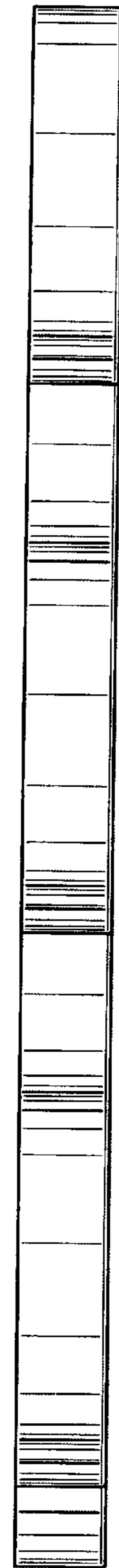
Page 2

---

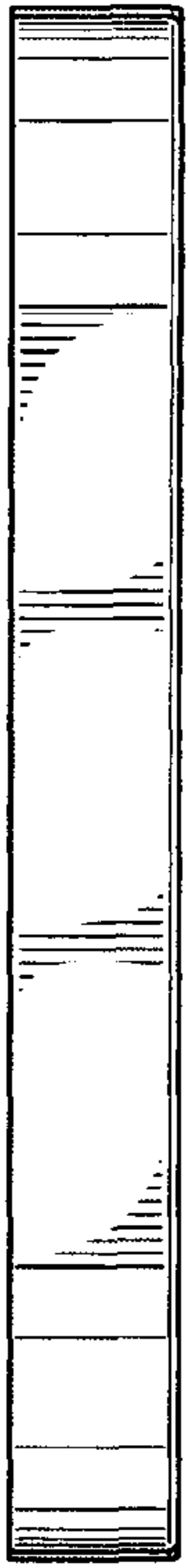
U.S. PATENT DOCUMENTS						
D332,395 S	1/1993	Araujo, Jr. et al. ....	D9/337	5,816,391 A	10/1998 Harris .....	206/147
D332,401 S	1/1993	Araujo, Jr. et al. ....	D9/434	5,882,057 A	3/1999 Fahy .....	294/159
5,191,975 A	3/1993	Pezzoli et al. ....	206/151	5,884,757 A	3/1999 Prince .....	206/153
5,221,002 A	6/1993	Garganese .....	206/151	5,894,972 A	4/1999 Brown .....	224/267
5,287,677 A	2/1994	Hunter .....	53/398	5,899,515 A	5/1999 Burns .....	294/159
5,368,393 A	11/1994	Normann .....	383/13	5,904,388 A	5/1999 Seibel .....	294/163
5,441,148 A	8/1995	Appleton .....	206/150	5,964,343 A	10/1999 Steiner .....	206/203
D363,017 S	10/1995	Noble .....	D8/395	6,082,532 A	7/2000 Miess .....	206/158
D363,211 S	10/1995	Noble .....	D8/395	6,098,933 A	8/2000 Stein .....	248/99
D364,552 S	11/1995	Mathiassen .....	D8/367	D431,466 S	10/2000 Wang .....	D9/434
5,487,581 A	1/1996	Carmo et al. ....	296/137	D447,952 S	9/2001 Valkovich .....	D9/455
5,507,543 A	4/1996	Shefflin .....	294/146	D455,348 S	4/2002 Fludd .....	D9/455
5,507,544 A	4/1996	McQuade et al. ....	294/159	6,499,781 B1	12/2002 Flynn .....	294/159
5,615,921 A	4/1997	Marley et al. ....	294/170	6,511,114 B1	1/2003 Fludd .....	294/159
5,626,379 A	5/1997	Scott .....	294/143	D489,586 S	5/2004 Fitzsimmons .....	D7/701
5,667,266 A	9/1997	Giocanti .....	294/170	6,789,828 B1	9/2004 Borg .....	294/87.2
D386,408 S	11/1997	Wasielewski et al. ....	D9/434	6,808,070 B2	10/2004 Borg .....	206/427
5,746,310 A	5/1998	Slomski .....	206/150	2004/0055905 A1	3/2004 Marco et al.	
5,755,477 A	5/1998	McKnight .....	294/146	2004/0055906 A1	3/2004 Marco	
D396,133 S	7/1998	Stein .....	D28/73	2004/0055907 A1	3/2004 Marco	
5,788,301 A	8/1998	Slomski .....	294/87.2	2005/0218013 A1	10/2005 Tabeshnekoo	



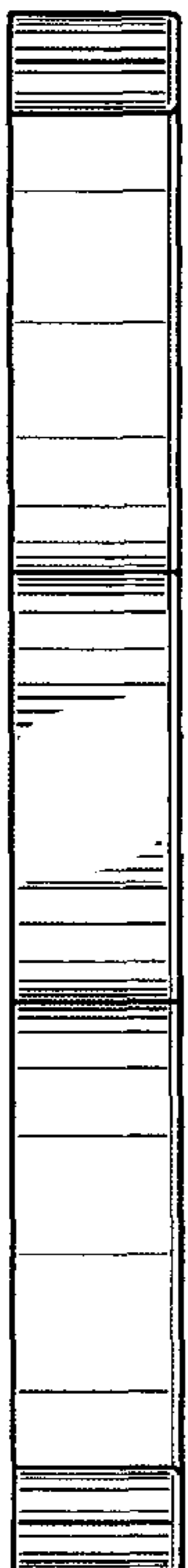
**Fig. 1**



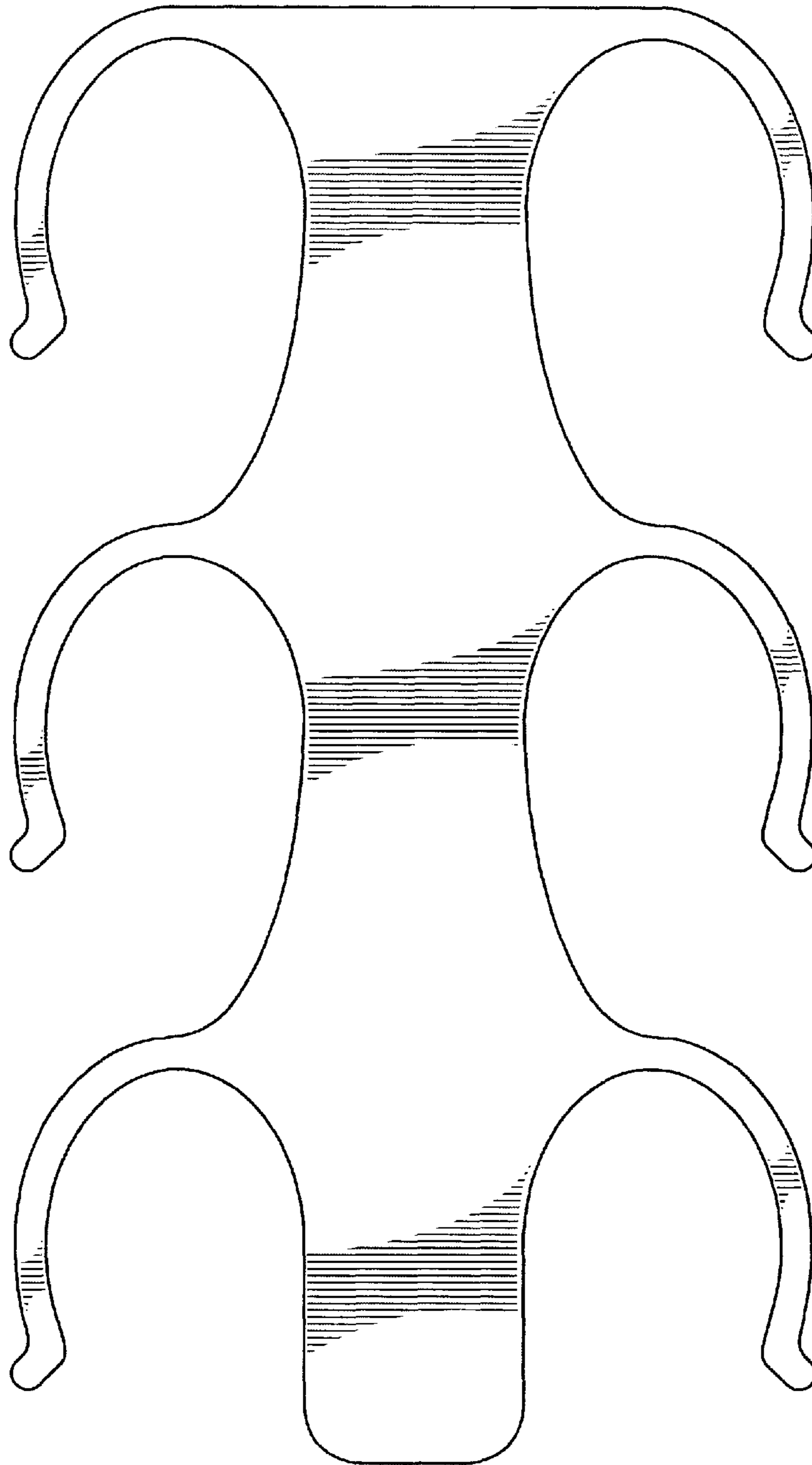
**Fig. 2**



**Fig. 3**

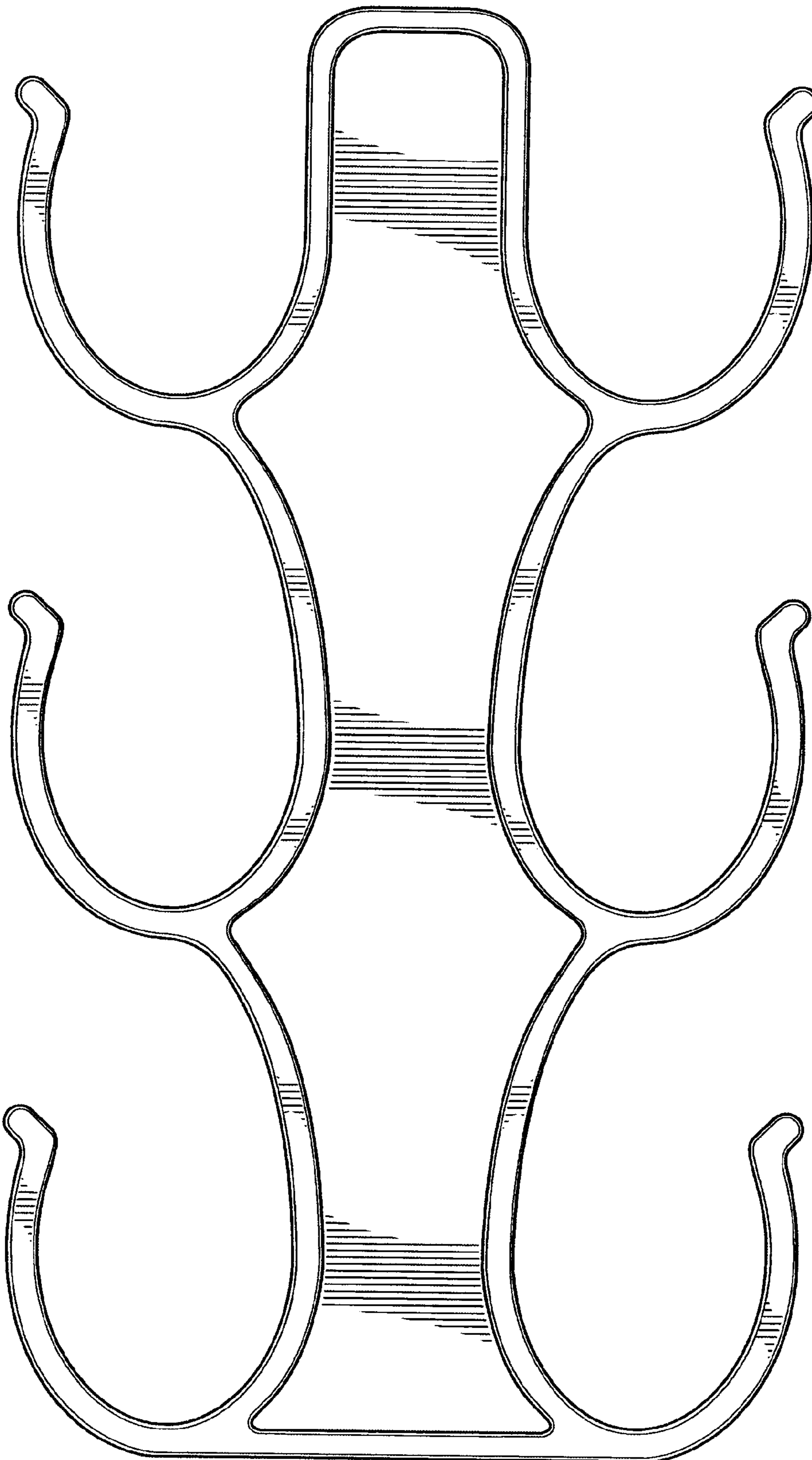


**Fig. 4**



**Fig. 5**





**Fig. 6**