



US00D538161S

(12) **United States Design Patent**
Smith et al.

(10) **Patent No.:** **US D538,161 S**
(45) **Date of Patent:** **** Mar. 13, 2007**

(54) **CLOSURE**
(75) Inventors: **Kelly A. Smith**, East Troy, WI (US);
Alan P. Hickok, Waukesha, WI (US)
(73) Assignee: **Seaquist Closures Foreign, Inc.**,
Crystal Lake, IL (US)
(**) Term: **14 Years**

6,029,866 A 2/2000 Wood
D439,516 S * 3/2001 Bakic D9/449
D440,494 S * 4/2001 Sagel et al. D9/450
6,283,333 B1 9/2001 Knickerbocker et al.
6,382,476 B1 * 5/2002 Randall et al. 222/545
6,491,041 B1 * 12/2002 Okamoto 132/74.5
6,832,700 B2 12/2004 Roberts
D519,029 S * 4/2006 Hicks et al. D9/453
D528,419 S * 9/2006 Robinson D9/454
2006/0000910 A1 * 1/2006 Chong et al. 235/462.15

(21) Appl. No.: **29/241,175**
(22) Filed: **Oct. 25, 2005**

OTHER PUBLICATIONS

U.S. Appl. No. 29/208,007, filed Jun. 22, 2004, Hicks et al.

(51) **LOC (8) Cl.** **09-07**
(52) **U.S. Cl.** **D9/449; D9/454; D9/435;**
D9/453
(58) **Field of Classification Search** D9/544,
D9/529, 521, 518, 454, 453, 449, 447, 446,
D9/444, 440, 438, 435, 434; D7/511; 222/562,
222/556, 544; 220/288; 215/316, 235, 200
See application file for complete search history.

* cited by examiner

Primary Examiner—Robert M. Spear
Assistant Examiner—Susan Bennett Hattan

(74) *Attorney, Agent, or Firm*—Wood, Phillips, Katz, Clark
& Mortimer

(57) **CLAIM**

The ornamental design for a closure, as shown and
described.

(56) **References Cited**

DESCRIPTION

U.S. PATENT DOCUMENTS

D265,060 S * 6/1982 Blank D9/446
5,058,775 A 10/1991 Gross
5,284,264 A 2/1994 Gross
5,314,093 A 5/1994 Gross
5,341,960 A 8/1994 Lay
5,346,100 A 9/1994 Lay
D363,025 S * 10/1995 Deflander et al. D9/449
D398,852 S 9/1998 Gross
D409,489 S * 5/1999 Blades D9/449

FIG. 1 is a front isometric view of a closure showing our
new design;

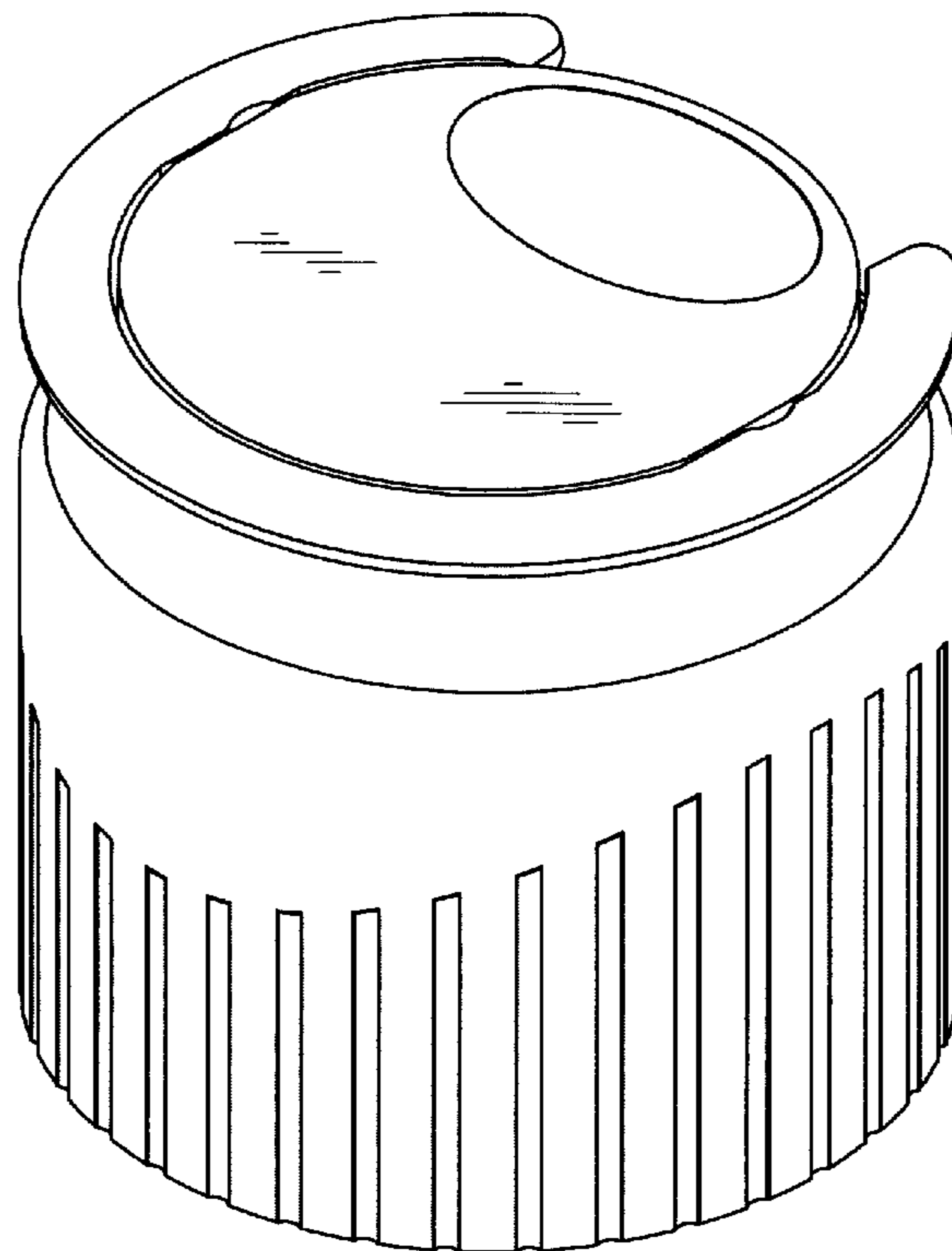
FIG. 2 is a top view thereof;

FIG. 3 is a front elevational view thereof;

FIG. 4 is a rear elevational view thereof; and,

FIG. 5 is a left right side elevational view thereof, the left
side elevational view thereof being a mirror image.

1 Claim, 3 Drawing Sheets



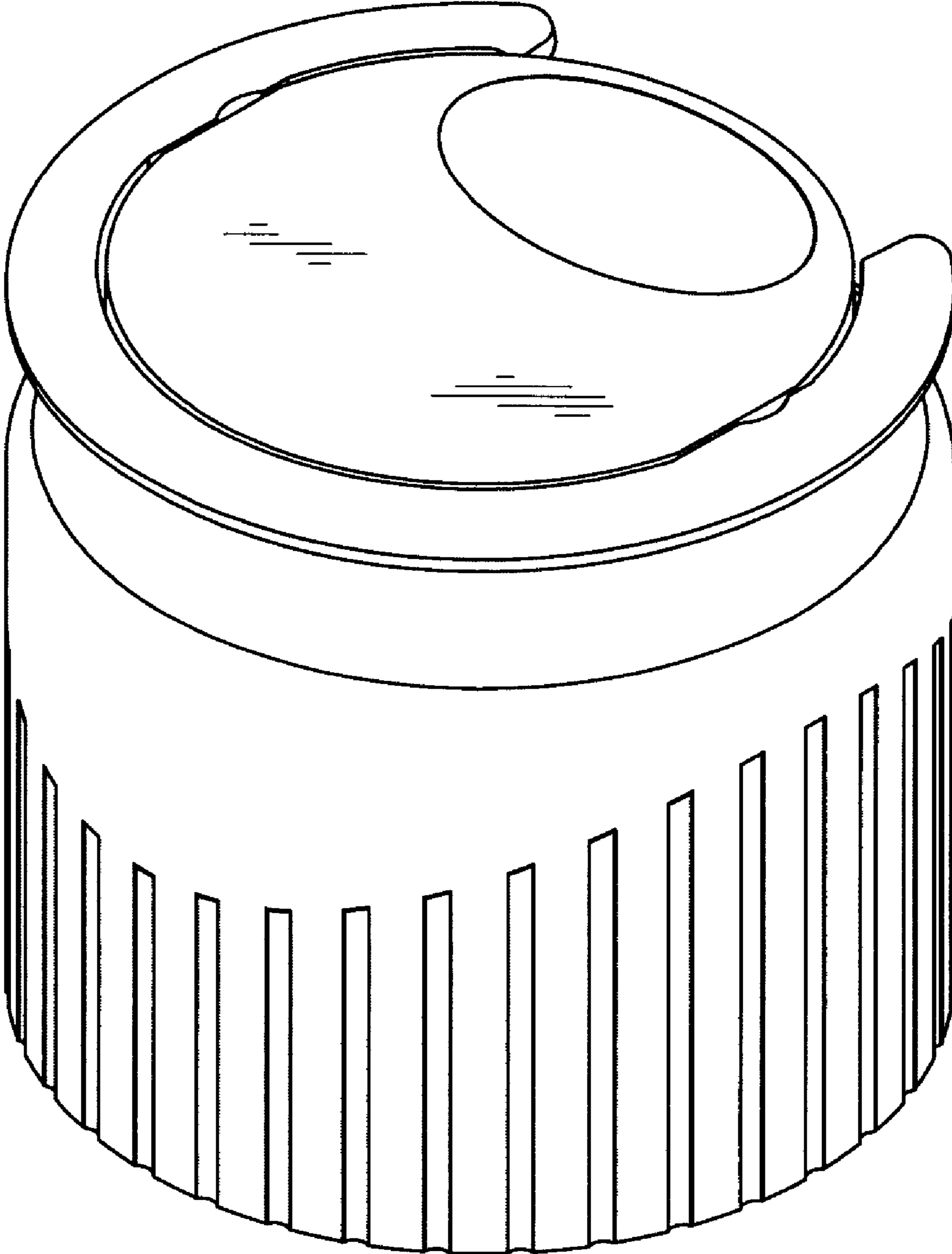


FIG. 1

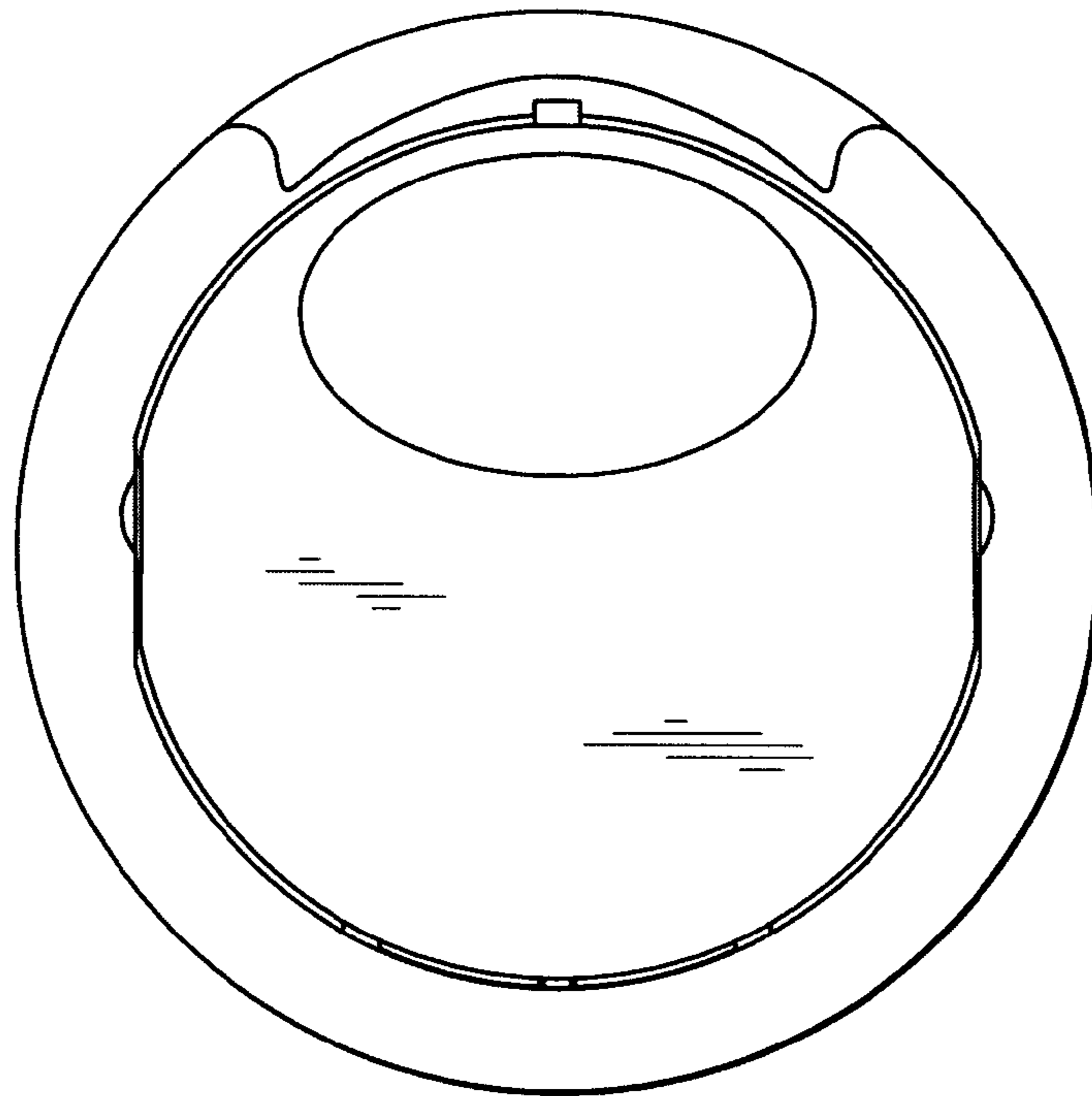


FIG. 2

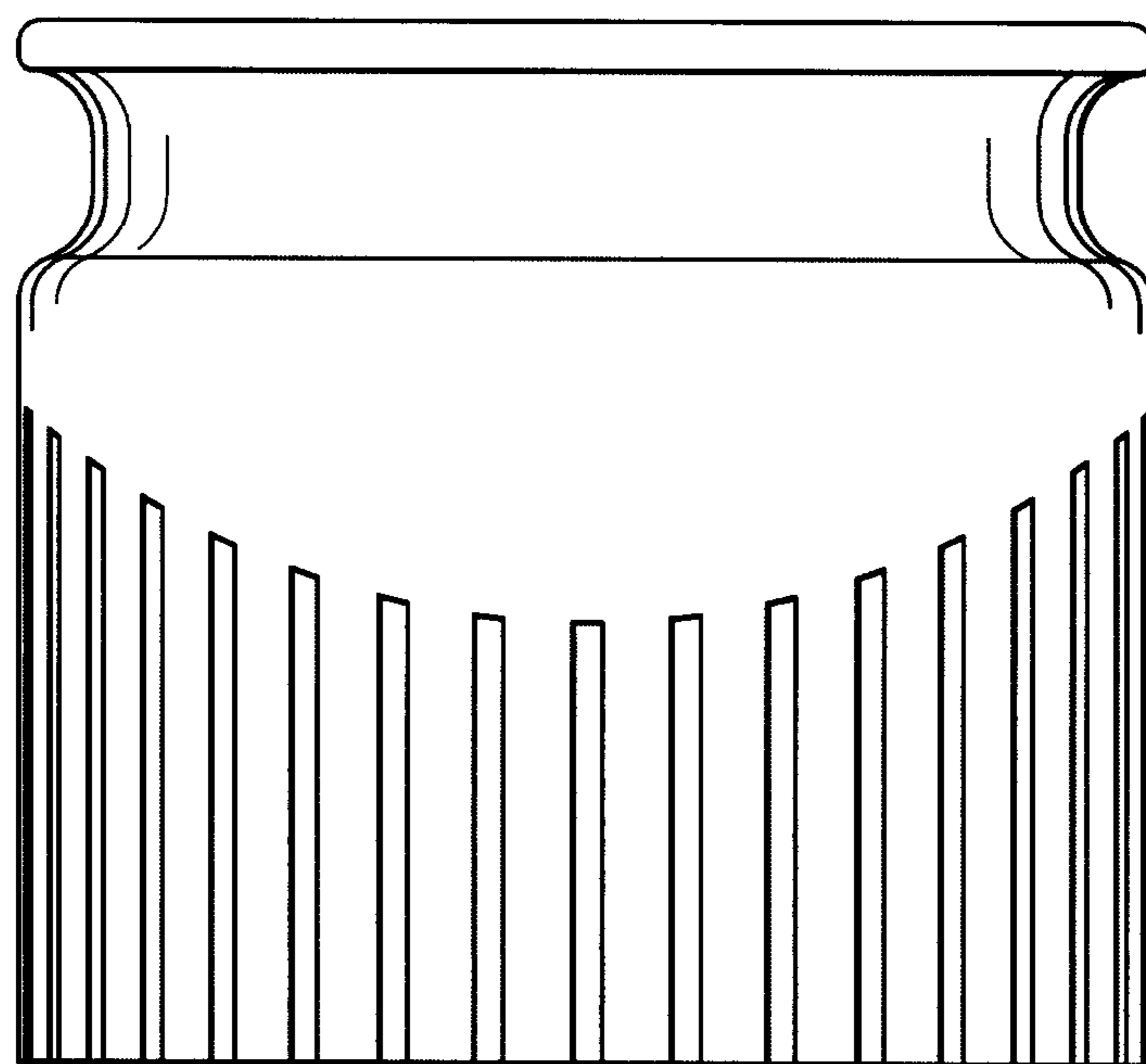


FIG. 3

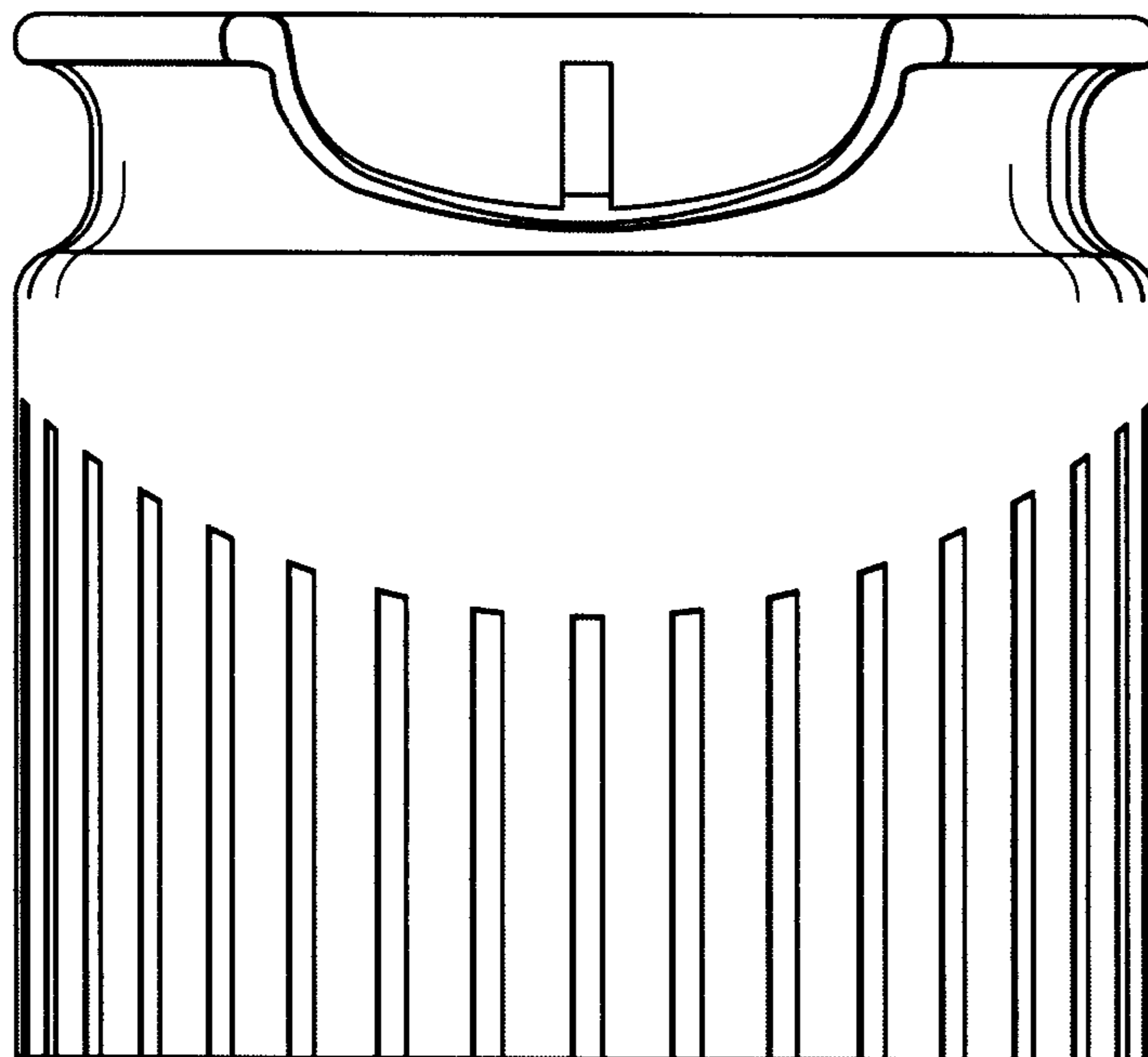


FIG. 4

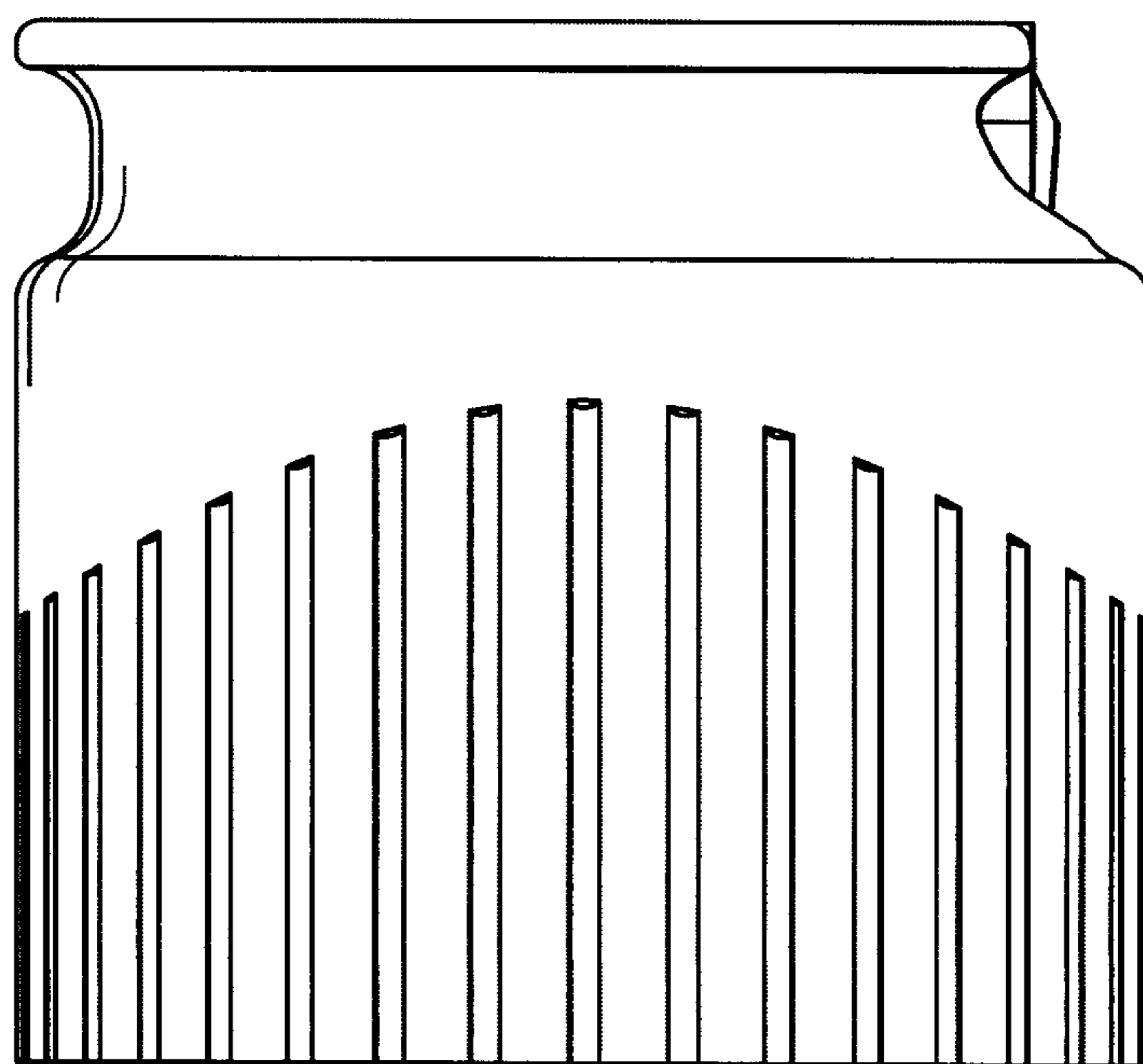


FIG. 5