



US00D538158S

(12) **United States Design Patent**
Py et al.

(10) **Patent No.:** **US D538,158 S**
(45) **Date of Patent:** **** Mar. 13, 2007**

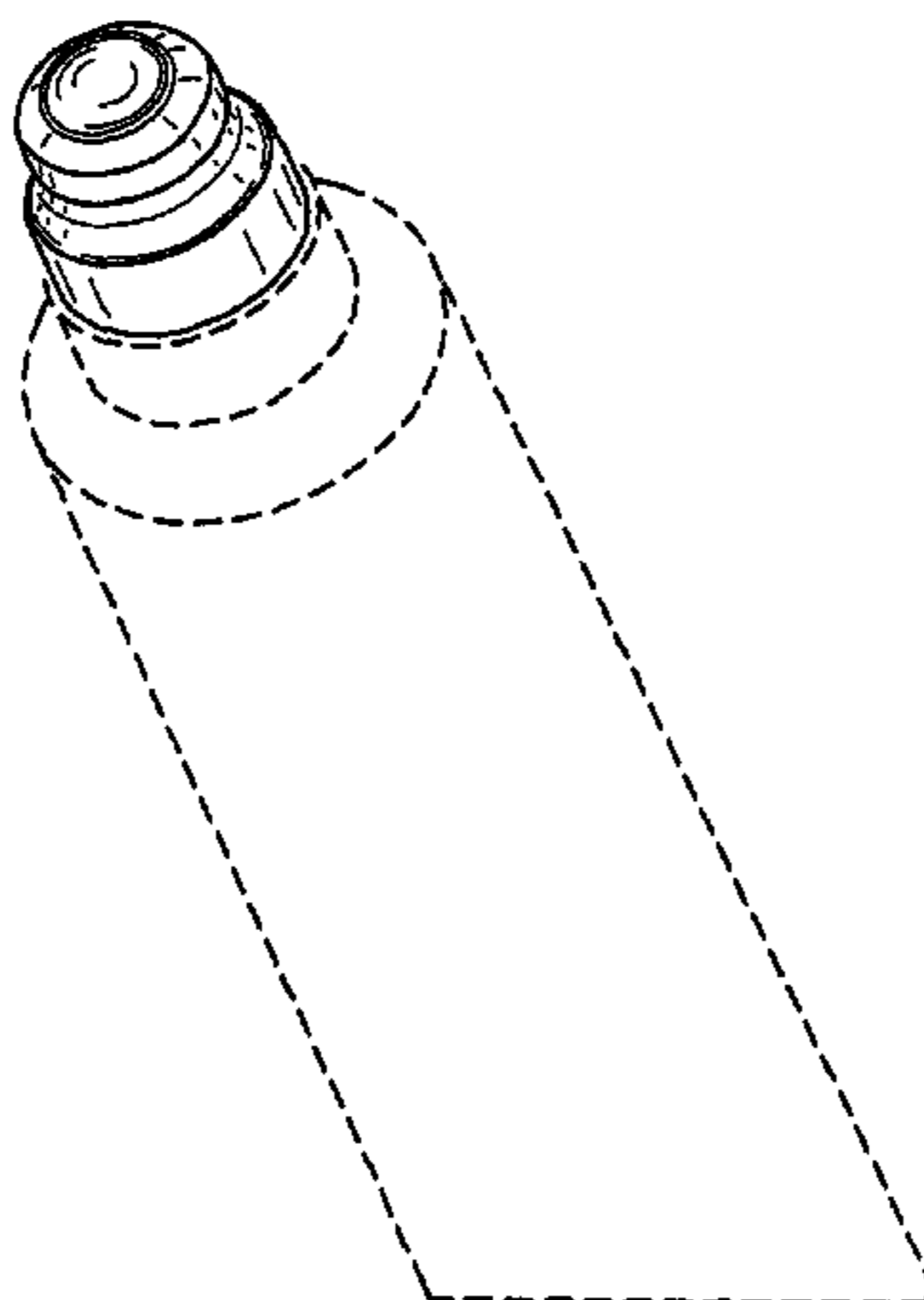
(54) **VALVE FOR A TUBE**
(75) Inventors: **Daniel Py**, Stamford, CT (US); **Julian V. Chan**, Spring Valley, NY (US)
(73) Assignee: **Medical Instill Technologies, Inc.**, New Milford, CT (US)
(**) Term: **14 Years**
(21) Appl. No.: **29/191,510**
(22) Filed: **Oct. 7, 2003**
(51) **LOC (8) Cl.** **09-01**
(52) **U.S. Cl.** **D9/442**
(58) **Field of Classification Search** D9/544, D9/695, 696, 697, 698, 699, 442, 521, 727, D9/728, 711, 729; 222/94, 105, 107, 192, 222/181.2; D28/76, 82, 129; D24/111, 112, D24/88, 114, 118, 207, 224; 220/DIG. 7, 220/92, 201, 202, 203.5
See application file for complete search history.

4,949,877 A	8/1990	Hanna et al.	222/341
4,978,036 A	12/1990	Burd	222/207
5,005,737 A *	4/1991	Rohr	222/212
5,033,647 A	7/1991	Smith et al.	222/94
5,083,416 A	1/1992	Schneider et al.	53/489
5,108,007 A	4/1992	Smith et al.	222/95
5,178,300 A	1/1993	Haviv et al.	222/95
5,197,638 A	3/1993	Wood	222/212
5,226,568 A	7/1993	Newton et al.	222/212
5,318,204 A	6/1994	Davis et al.	222/95
5,320,256 A	6/1994	Wood	222/212
5,320,845 A	6/1994	Py	424/427
5,332,121 A	7/1994	Schmidt et al.	222/95
5,339,972 A	8/1994	Crosnier et al.	215/320
5,416,303 A	5/1995	Grooms et al.	219/633
5,489,026 A	2/1996	D'Aloia	206/570
5,489,027 A	2/1996	Goerigk	206/570
5,497,910 A	3/1996	Meadows et al.	222/95
5,556,678 A	9/1996	Jupin et al.	428/36.6
5,564,596 A	10/1996	Meadows et al.	222/94
5,582,330 A	12/1996	Iba	222/212
5,609,273 A	3/1997	Firestone et al.	222/215
5,664,704 A	9/1997	Meadows et al.	222/209
5,692,651 A	12/1997	Fuchs	222/494
5,718,334 A	2/1998	Demel	206/438
5,727,892 A	3/1998	Baudin	401/263
5,730,322 A	3/1998	Iba et al.	222/42
5,743,441 A	4/1998	Baudin et al.	222/212
5,759,218 A	6/1998	Martin et al.	55/385.1
5,799,837 A	9/1998	Firestone et al.	222/215
5,823,397 A	10/1998	Gil	222/181.3
5,855,302 A	1/1999	Fisscher	222/207
5,899,624 A	5/1999	Thompson	401/206
5,908,124 A *	6/1999	Klauke et al.	215/48
5,921,989 A	7/1999	Deacon et al.	606/107
5,934,500 A	8/1999	Cogger et al.	220/495.06
D417,275 S *	11/1999	Conforti	D24/130
6,050,444 A	4/2000	Sugg	220/707
6,053,370 A	4/2000	Ludbrook et al.	222/207
6,062,437 A	5/2000	Mascitelli	222/212
6,083,450 A	7/2000	Safian	264/515
6,145,707 A	11/2000	Baudin	222/189.09
6,168,581 B1 *	1/2001	Buehler	604/295
6,170,705 B1	1/2001	Schneider et al.	222/92
6,202,901 B1	3/2001	Gerber et al.	222/494
6,254,579 B1	7/2001	Cogger et al.	604/298
6,267,768 B1	7/2001	Deacon et al.	606/107
6,283,976 B1	9/2001	Portney	606/107
6,301,767 B1	10/2001	Granger et al.	29/469.5

(56) **References Cited**

U.S. PATENT DOCUMENTS

D30,851 S *	5/1899	Zacharias	D9/697
D37,819 S *	2/1906	Bradley	D9/515
2,128,035 A	8/1938	Boetel	221/60
3,180,528 A *	4/1965	Balint et al.	222/105
3,412,910 A	11/1968	Hahn	222/494
3,648,903 A	3/1972	Marchant	222/212
3,669,323 A	6/1972	Harker et al.	222/490
3,963,814 A	6/1976	Cospen et al.	264/23
4,002,516 A	1/1977	Gaborieau et al.	156/69
4,102,476 A	7/1978	Loeffler	222/209
4,134,403 A *	1/1979	Johnsen et al.	604/302
4,141,474 A	2/1979	Nilson	222/493
4,513,891 A	4/1985	Hain et al.	222/213
4,518,106 A *	5/1985	LaFleur	222/460
4,699,300 A	10/1987	Blake	222/494
4,737,148 A	4/1988	Blake	604/126
4,739,906 A	4/1988	LoTurco	222/153
4,842,165 A	6/1989	Van Coney	222/95
4,895,279 A	1/1990	Schultz	222/321
4,923,480 A	5/1990	Monestere	8/507



6,306,423	B1	10/2001	Donovan et al.	424/423
6,312,708	B1	11/2001	Donovan	424/423
6,325,253	B1	12/2001	Robinson	222/212
6,351,924	B1	3/2002	Gustafsson et al.	53/425
6,383,509	B1	5/2002	Donovan et al.	424/423
6,386,395	B1	5/2002	Lunghetti	222/213
6,428,545	B2	8/2002	Portney	606/107
6,446,844	B1	9/2002	Gross	222/494
6,450,994	B1	9/2002	Boyles et al.	604/294
D503,611	S	* 4/2005	Py et al.	D9/697

FOREIGN PATENT DOCUMENTS

EP	0649795	B1	6/1999	47/20
EP	0673852	B1	2/2000	47/20

* cited by examiner

Primary Examiner—Stella Reid

Assistant Examiner—Mark Goodwin

(74) Attorney, Agent, or Firm—McCarter & English, LLP

(57)

CLAIM

The ornamental design for a valve for a tube, as shown and described.

DESCRIPTION

FIG. 1 is a perspective view of a valve for a tube showing our new design.

FIG. 2 is a front elevational view thereof, the rear view being a mirror image thereof.

FIG. 3 is a side elevational view thereof, the opposite side view being a mirror image thereof.

FIG. 4 is a top plan view thereof; and,

FIG. 5 is a bottom plan view thereof.

The broken lines in the figures show boundaries of the invention and form no part of the claimed design.

1 Claim, 4 Drawing Sheets

FIG. 1

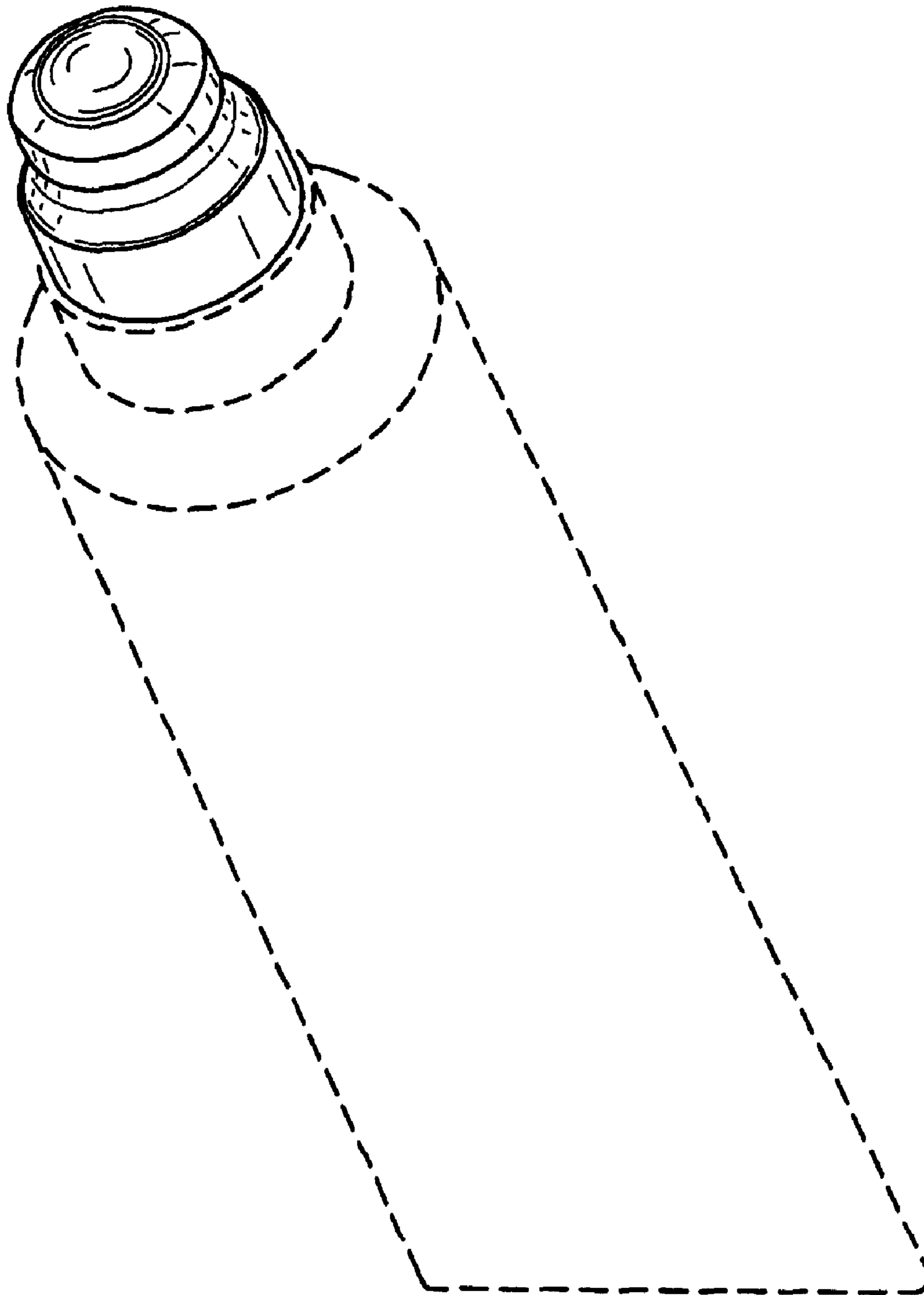


FIG. 2

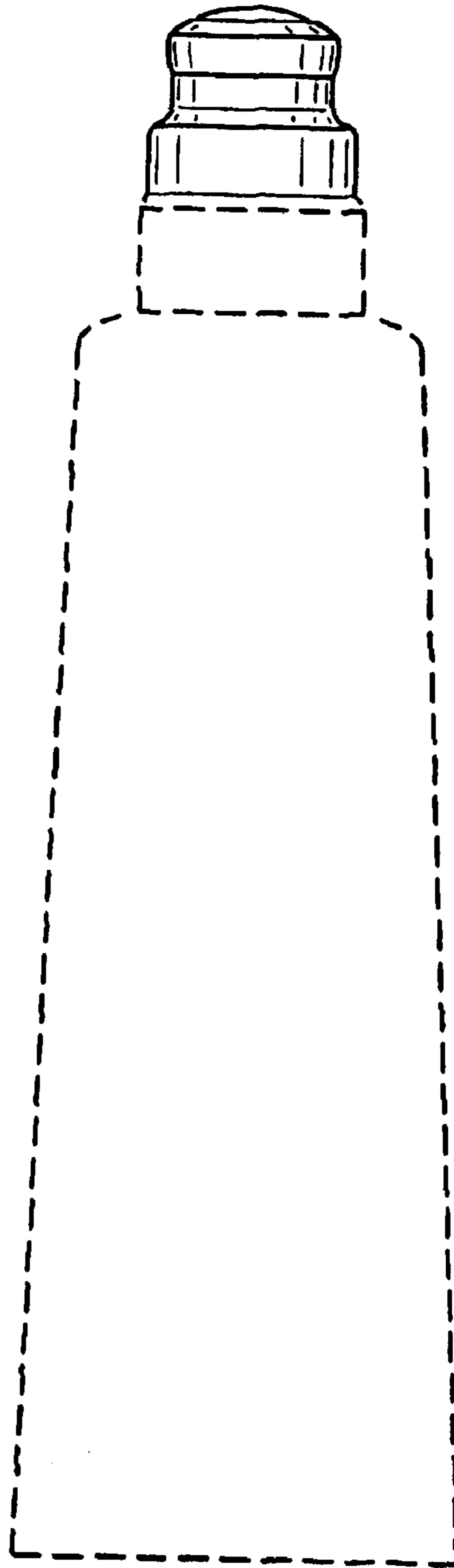


FIG. 3

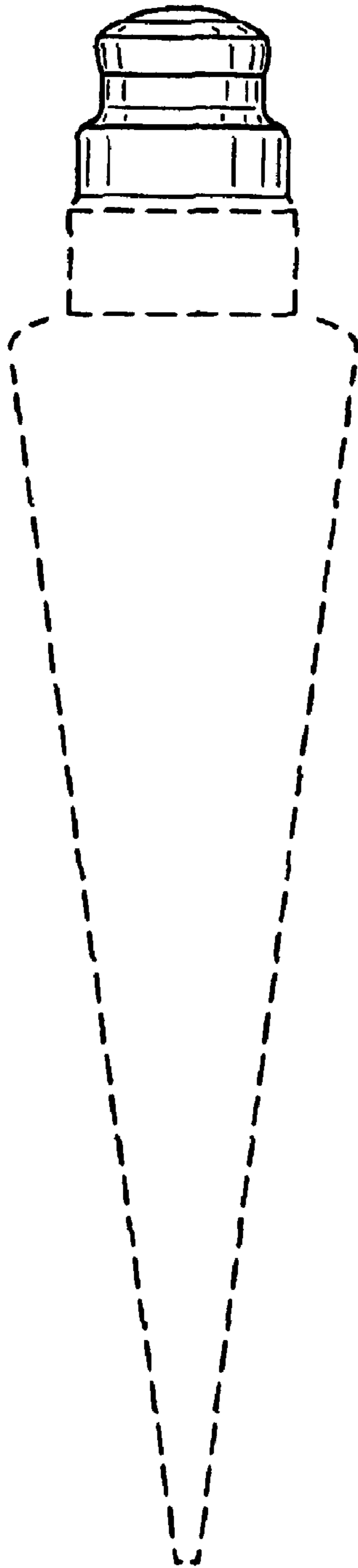


FIG. 4

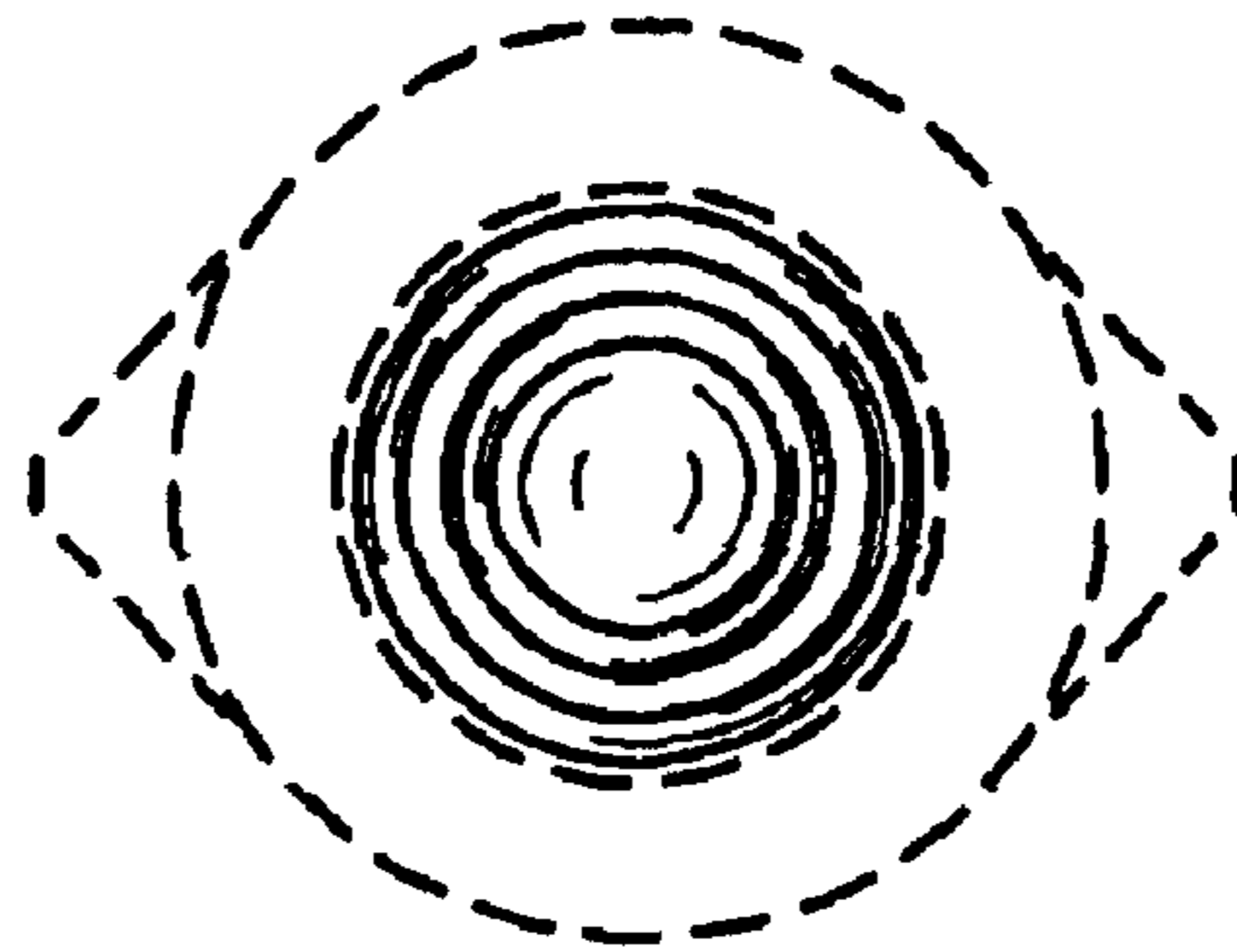


FIG. 5

