



US00D538157S

(12) **United States Design Patent**
Boyner

(10) **Patent No.:** **US D538,157 S**
(45) **Date of Patent:** **** Mar. 13, 2007**

(54) **CONDOM PACKAGE**

D462,007 S * 8/2002 Spinoy D9/701
D501,135 S * 1/2005 Kawabata et al. D9/425

(76) Inventor: **Hasan Boyner**, Buyukdere Caddesi
No.:22 Park Plaza K:15-16, Maslak,
Istanbul (TR)

OTHER PUBLICATIONS

Packaging Design, 1983, by Stanley Sacharow, p. 153,
Trojan–enz condom package.*

(**) Term: **14 Years**

* cited by examiner

(21) Appl. No.: **29/212,184**

Primary Examiner—Sandra L. Morris

(22) Filed: **Aug. 27, 2004**

(74) *Attorney, Agent, or Firm*—Venable, Campillo, Logan
& Meaney PC

(30) **Foreign Application Priority Data**

Mar. 3, 2004 (TR) 23595

(57) **CLAIM**

(51) **LOC (8) Cl.** **09-03**

The ornamental design for a condom package, as shown and
described.

(52) **U.S. Cl.** **D9/433**

(58) **Field of Classification Search** D9/600,
D9/614, 621–622, 667, 670, 701, 737, 414,
D9/418, 42; 206/69, 457, 459.1, 459.5, 822,
206/823

DESCRIPTION

See application file for complete search history.

FIG. 1 is a perspective view of a condom package, showing
the inside and outside of the package;

FIG. 2 is a perspective view of the outside of the package
shown partially folded;

FIG. 3 is perspective view of the inside of the package
shown partially unfolded;

FIG. 4 is perspective view of the inside of the package
shown partially unfolded; and,

FIG. 5 is a perspective view of another side of the outside
of the package in a folded condition.

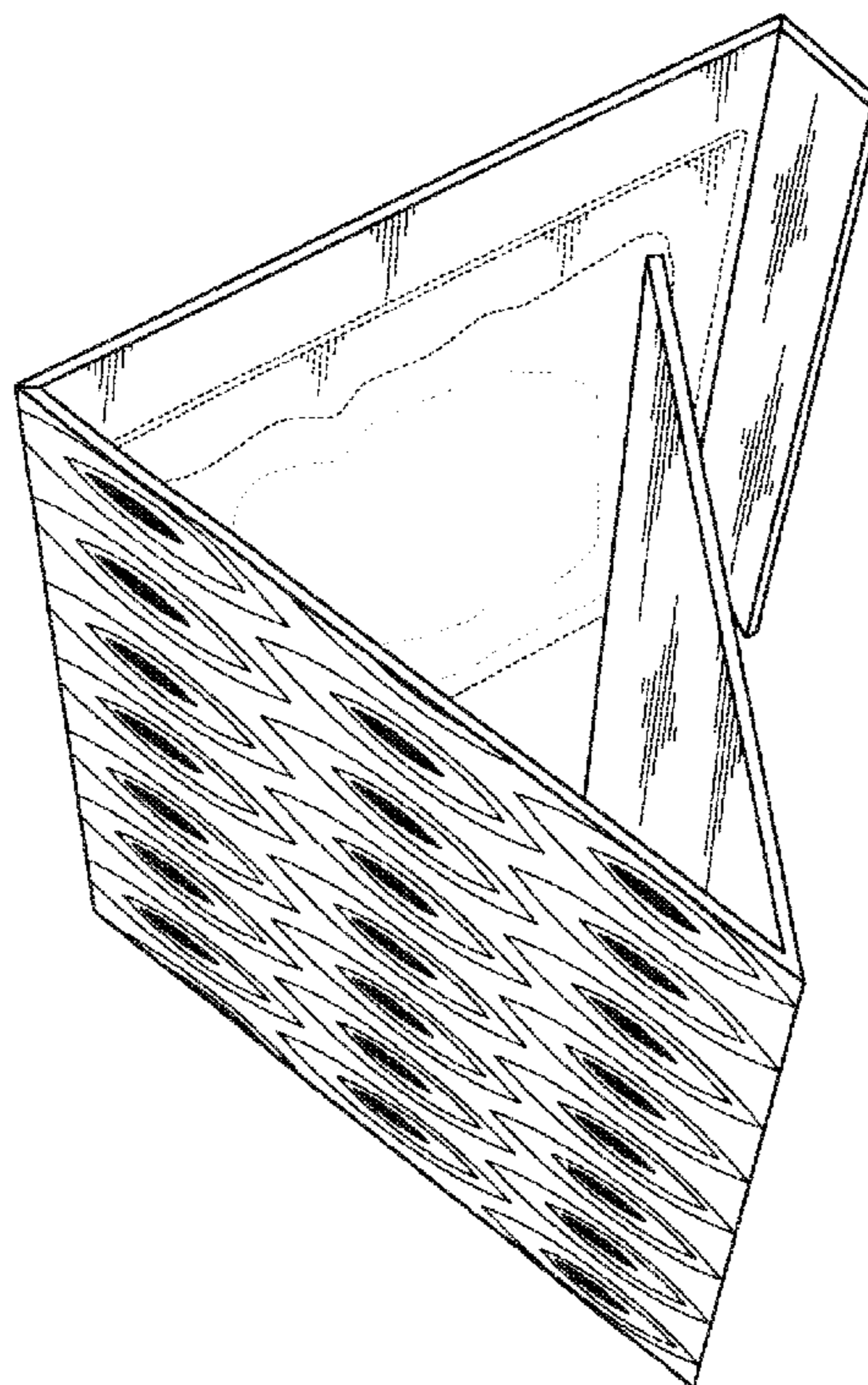
The broken line showing is for illustrative purposes only,
and forms no part of the claimed design.

(56) **References Cited**

U.S. PATENT DOCUMENTS

4,053,048 A * 10/1977 Cohn 206/457
D265,889 S * 8/1982 Lawrence et al. D9/418
4,722,462 A * 2/1988 Zinnbauer 206/823
4,776,460 A * 10/1988 Hoffman 206/69
5,311,679 A * 5/1994 Birch, Sr. 206/69
D362,972 S * 10/1995 Wunsch D9/737
5,657,869 A * 8/1997 Carroll, III 206/459.5
D434,652 S * 12/2000 Mori D9/433

1 Claim, 5 Drawing Sheets



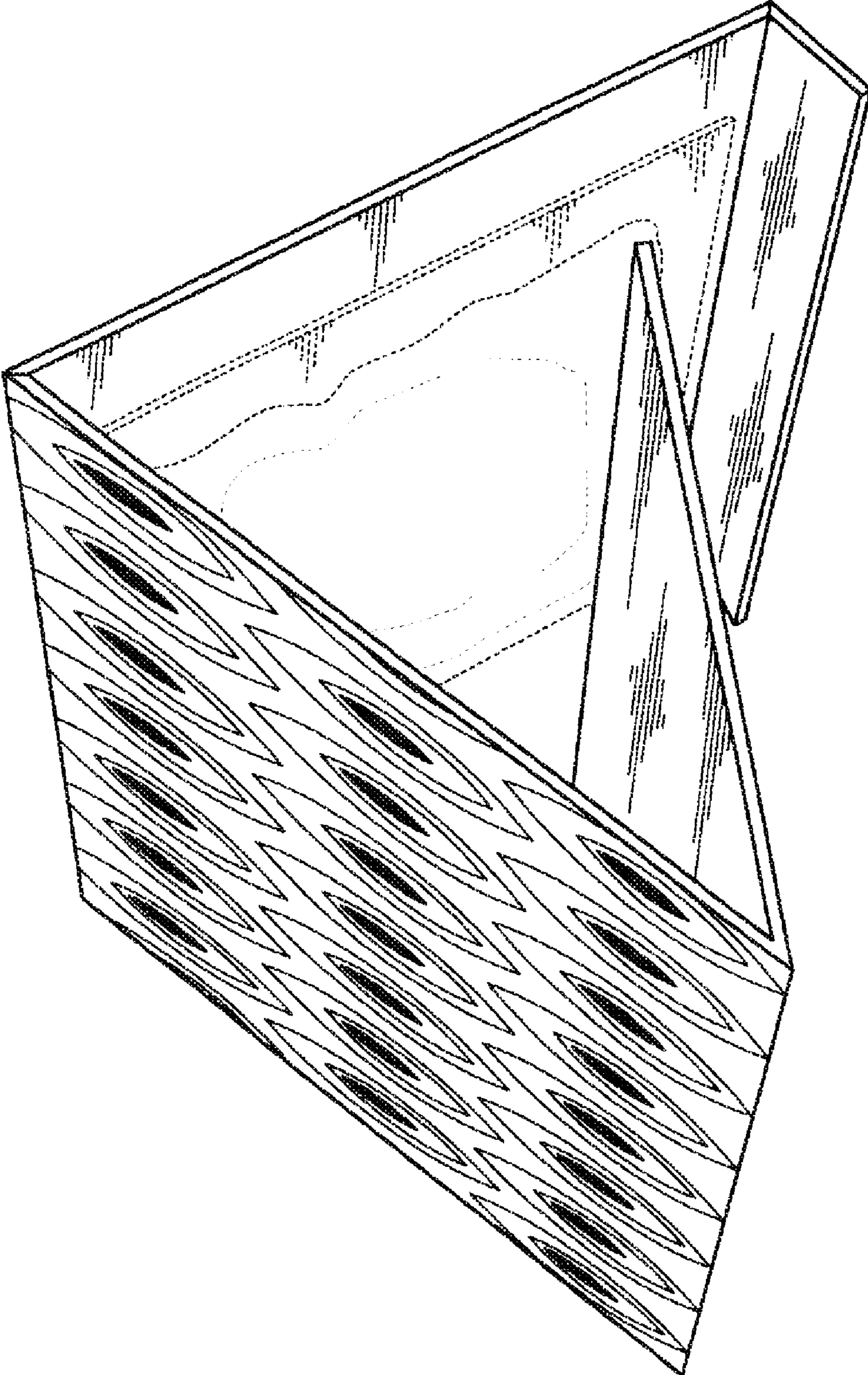


Fig. 1

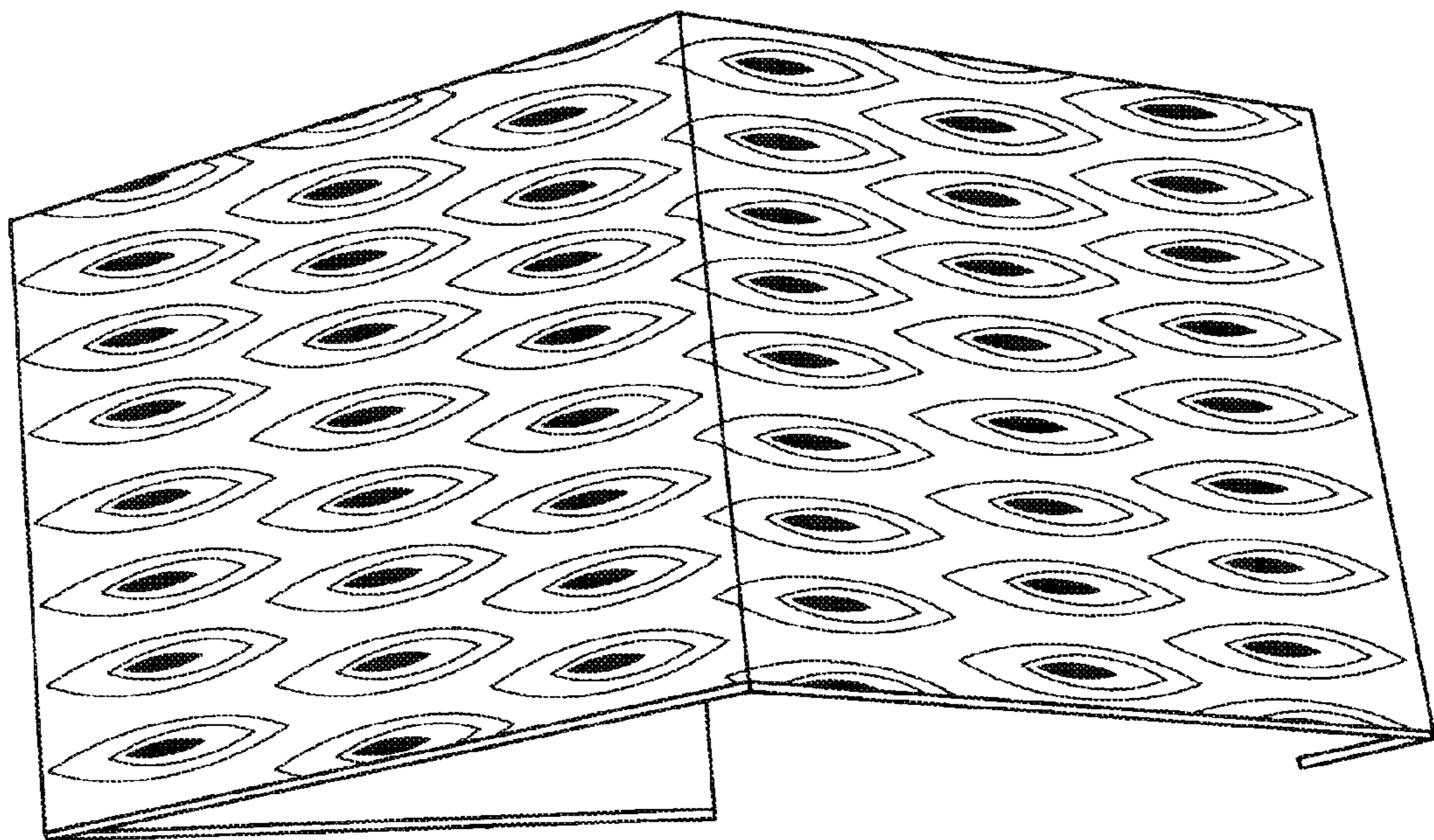


Fig. 2

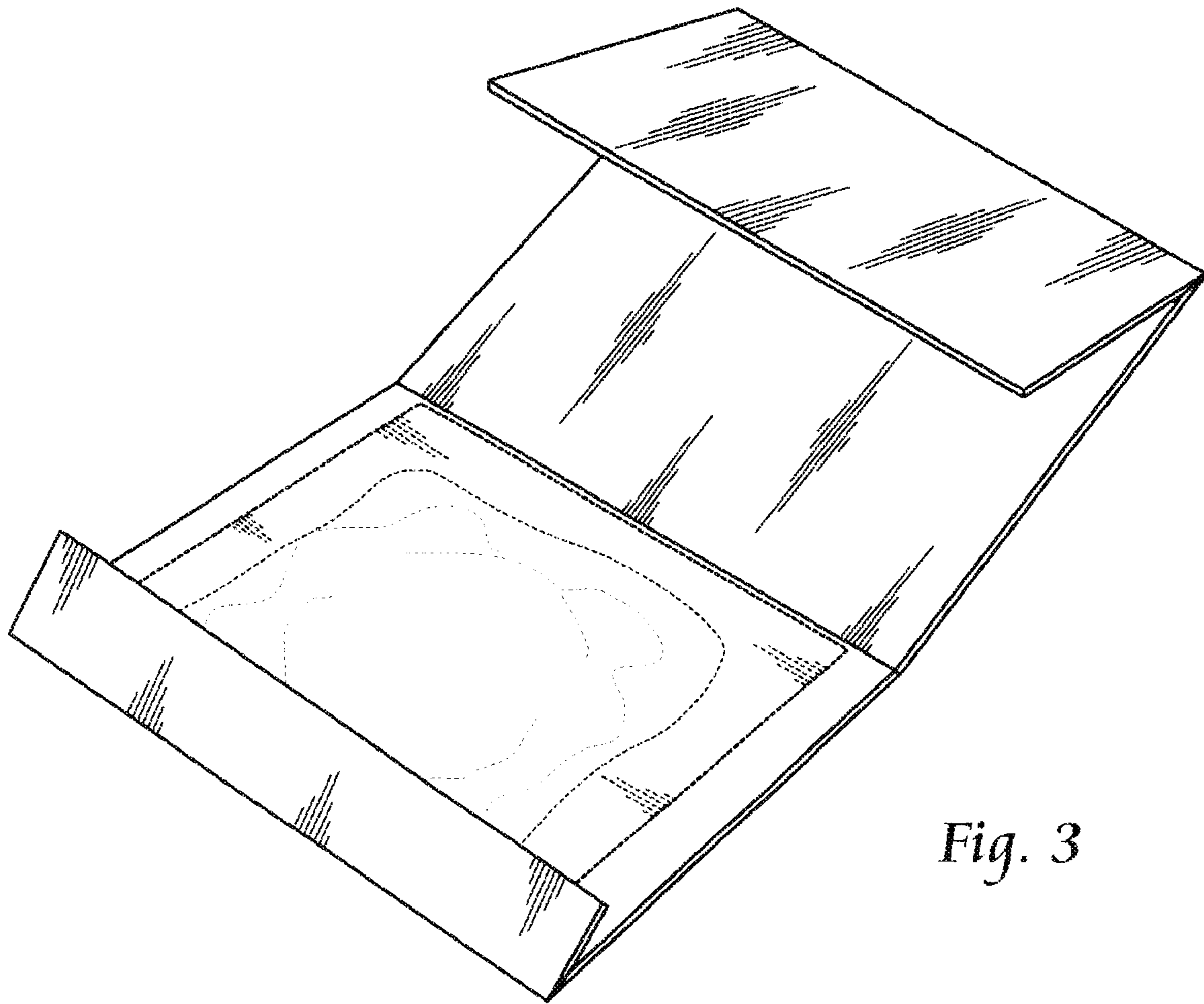


Fig. 3

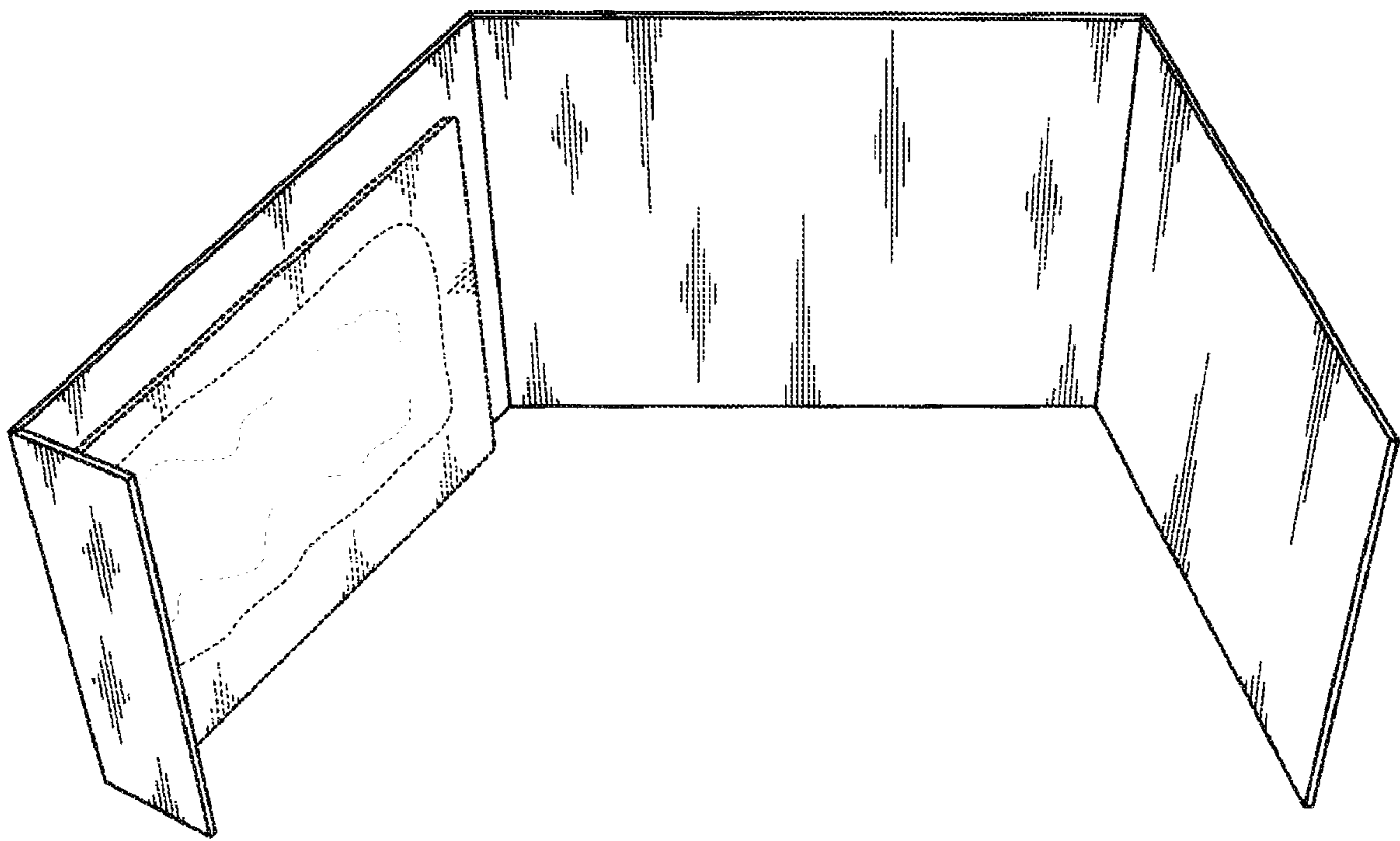


Fig. 4

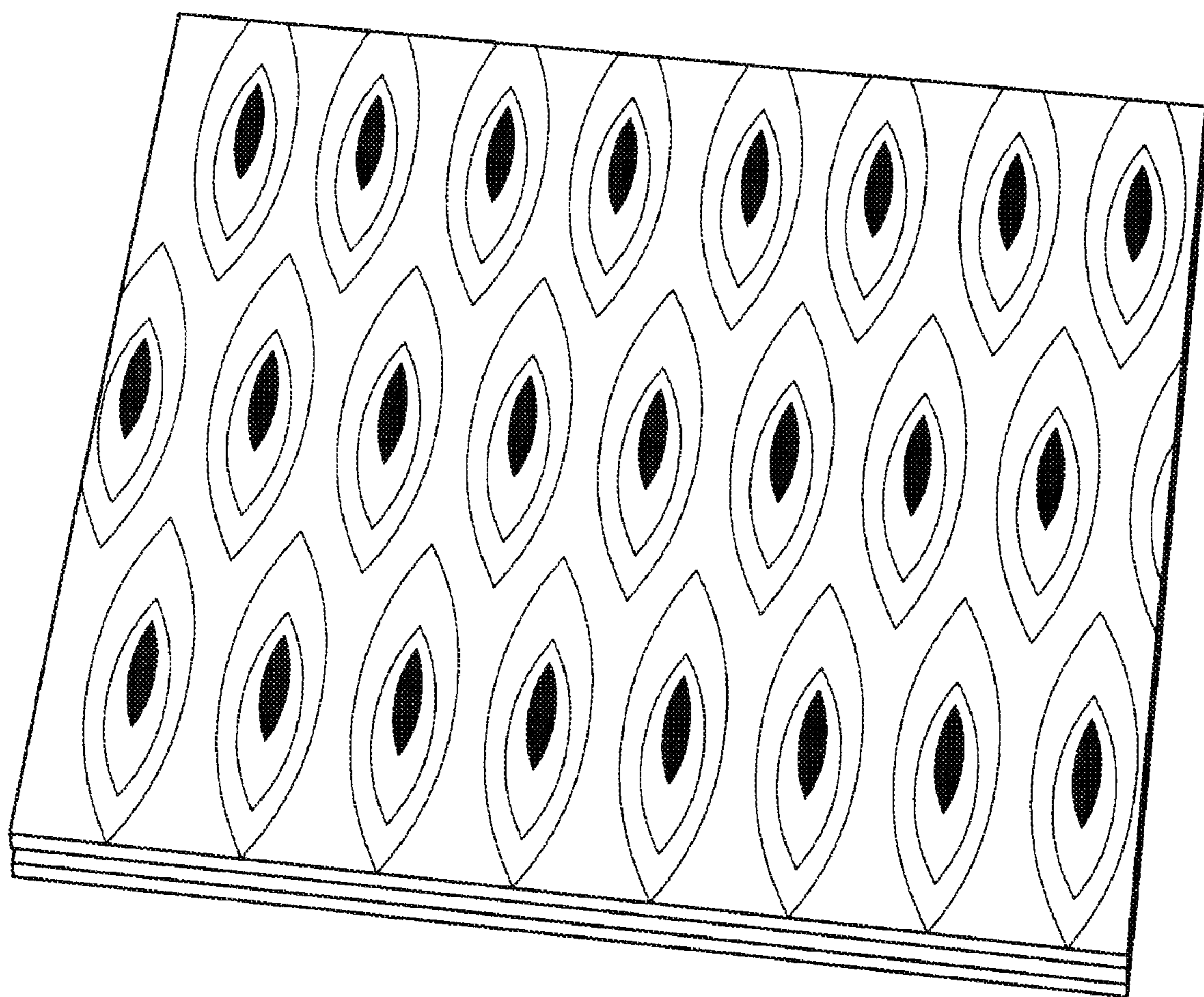


Fig. 5