



US00D538156S

(12) **United States Design Patent**
Ayats et al.

(10) **Patent No.:** **US D538,156 S**

(45) **Date of Patent:** **** Mar. 13, 2007**

(54) **BOX**

(75) Inventors: **Francesc Ayats**, Barcelona (ES); **Fabio Corradini**, Mira (IT); **Peter Drinka**, Ladenburg (DE); **Pawel Rudzinski**, Warsaw (PL); **Susanne Wallraff**, Mannheim (DE)

(73) Assignee: **Reckitt Benckiser N.V.**, Hoofddorp (NL)

(**) Term: **14 Years**

(21) Appl. No.: **29/238,706**

(22) Filed: **Sep. 20, 2005**

(30) **Foreign Application Priority Data**

Mar. 23, 2005 (EM) 000316120-0001/0002

(51) **LOC (8) Cl.** **09-03**

(52) **U.S. Cl.** **D9/430; D9/423**

(58) **Field of Classification Search** D9/414, D9/420, 422, 423, 430-432; D27/186, 172, D27/183, 189, 191; 229/160.1, 160.2, 145-147, 229/171, 193; 206/242, 265, 266, 268, 800; 220/669

See application file for complete search history.

(56) **References Cited**

U.S. PATENT DOCUMENTS

D183,717 S * 10/1958 Casler D9/432
D194,246 S * 12/1962 Englemann D9/420
D211,564 S * 7/1968 Bailey D9/433
3,608,812 A * 9/1971 Hamilton 229/145

D244,993 S * 7/1977 Drysdale D9/432
4,048,052 A * 9/1977 Tolaas 229/224
4,284,197 A * 8/1981 Meyers 229/228
4,313,556 A * 2/1982 Boyle et al. 229/116.1
4,314,643 A * 2/1982 Forbes, Jr. 229/212
D279,507 S * 7/1985 Schechter et al. D27/189
5,277,304 A * 1/1994 Brizzi et al. 206/256
D355,275 S * 2/1995 Focke D27/189
D394,383 S * 5/1998 Bradfield D9/416
D394,385 S * 5/1998 Laughlin D9/431
D460,355 S * 7/2002 Lenz et al. D9/431
D461,122 S * 8/2002 Bryan et al. D9/423
D468,638 S * 1/2003 Nogami et al. D9/430
D503,827 S * 4/2005 Cahill et al. D27/189

* cited by examiner

Primary Examiner—Stella Reid

Assistant Examiner—Mark Goodwin

(74) *Attorney, Agent, or Firm*—Norris McLaughlin & Marcus PA

(57) **CLAIM**

The ornamental design for box, as shown and described.

DESCRIPTION

FIG. 1 is a top front side perspective view of the box showing our new design.

FIG. 2 is a front view thereof.

FIG. 3 is a back view thereof.

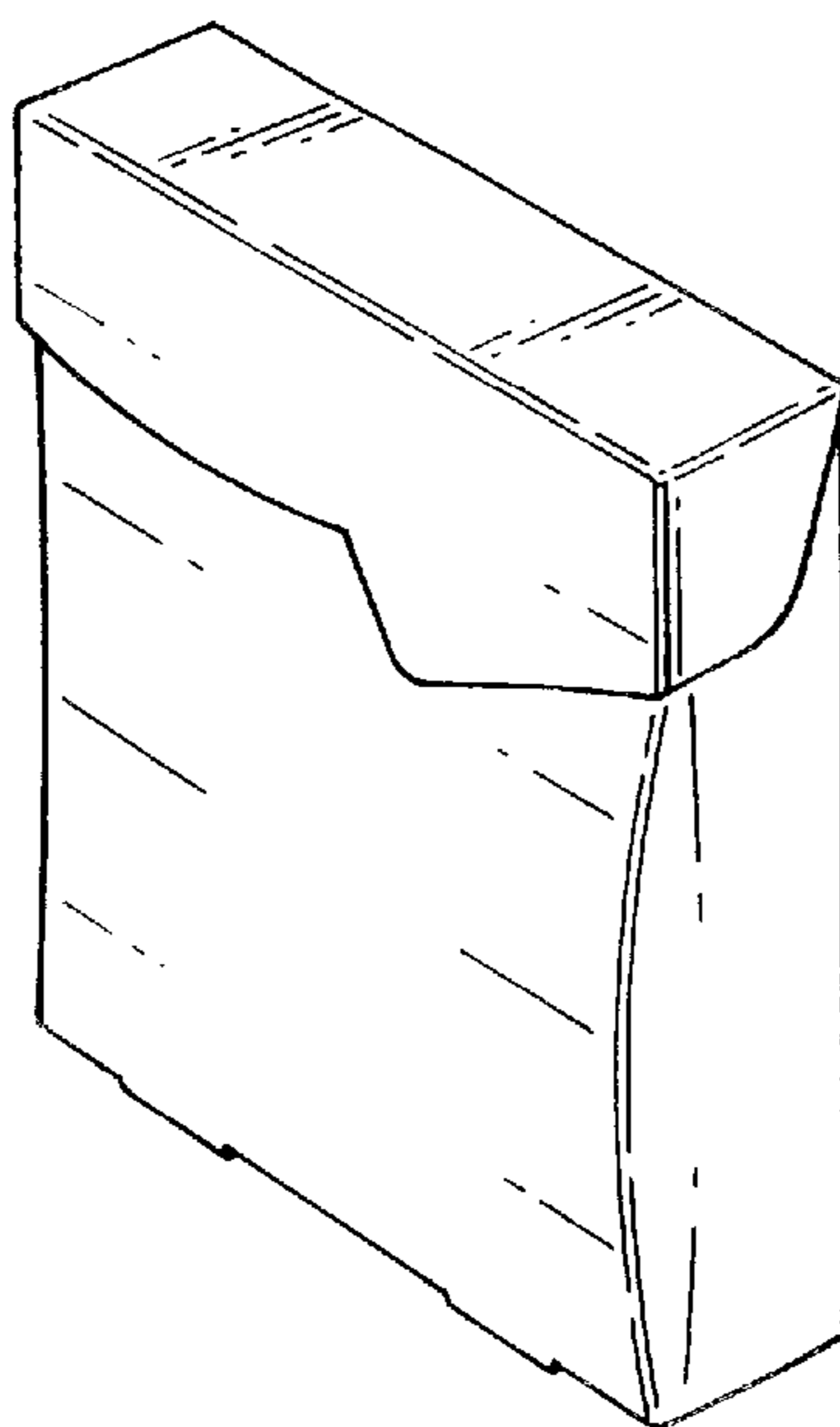
FIG. 4 is a side view thereof.

FIG. 5 is an opposite side view thereof.

FIG. 6 is a top plan view thereof; and,

FIG. 7 is a bottom plan view thereof.

1 Claim, 2 Drawing Sheets



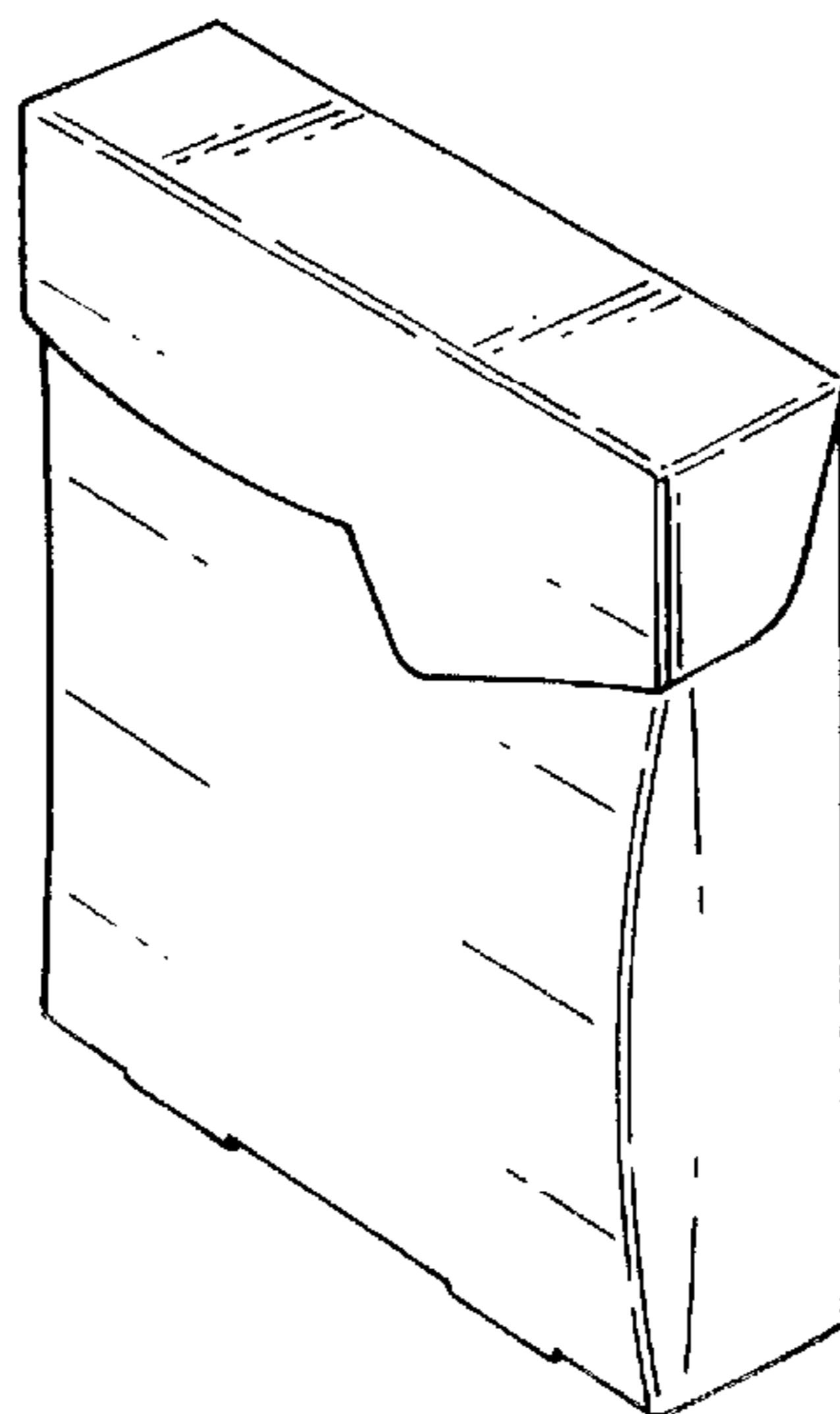


Fig. 1.

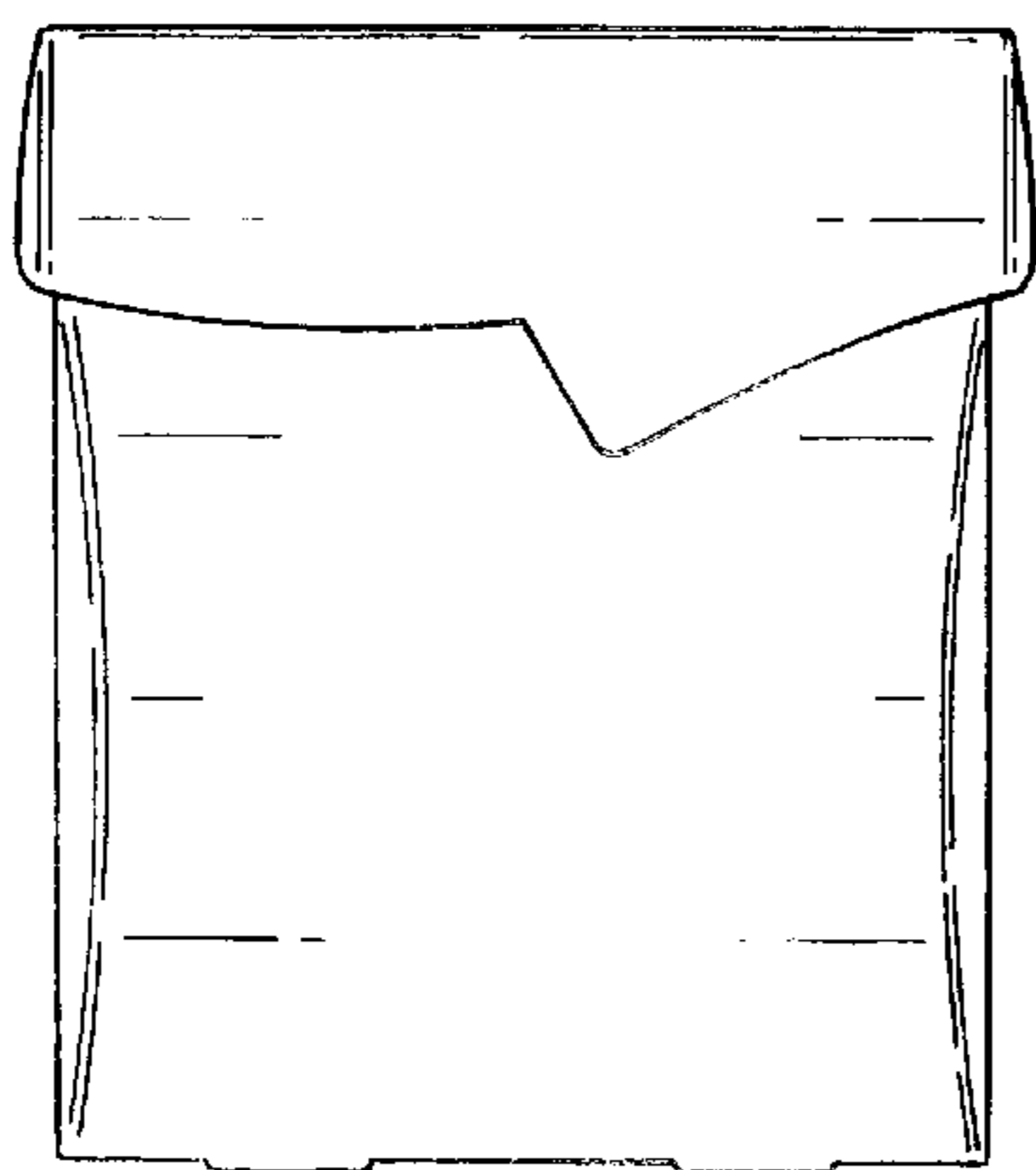


Fig. 2.

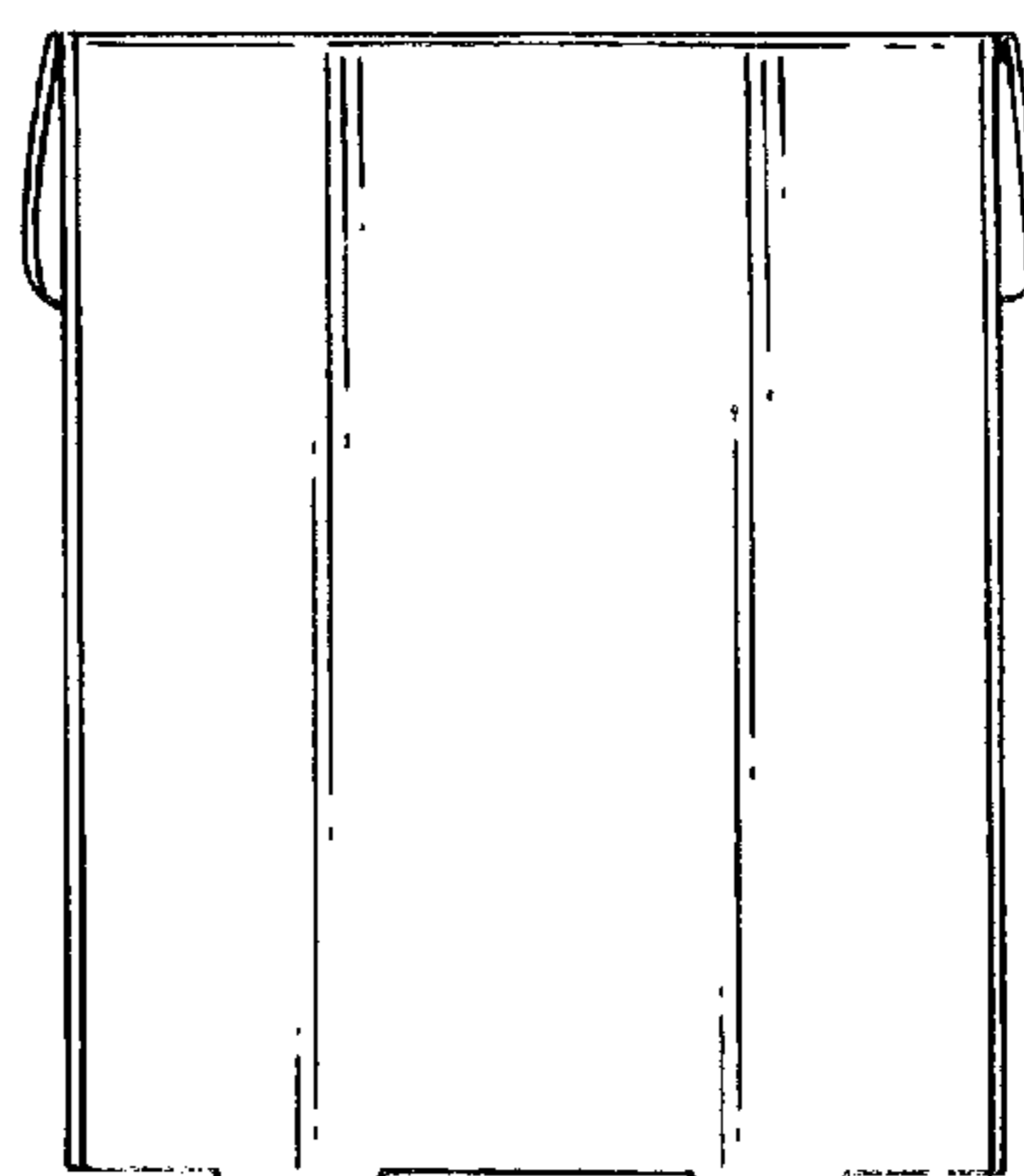


Fig. 3.

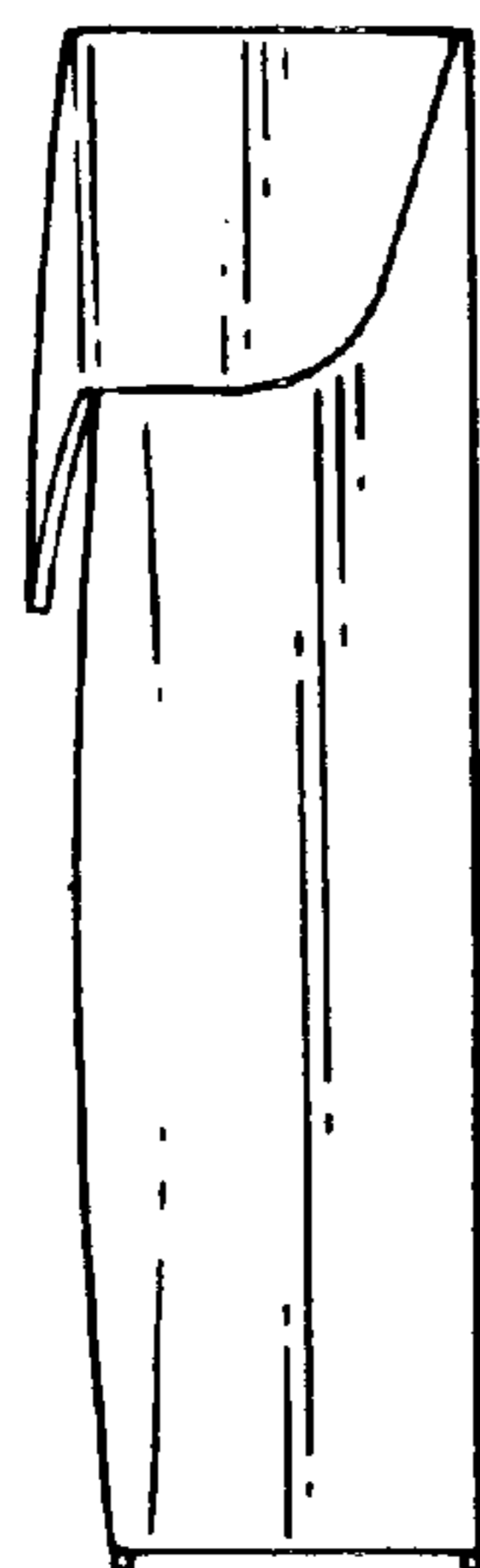


Fig.4.

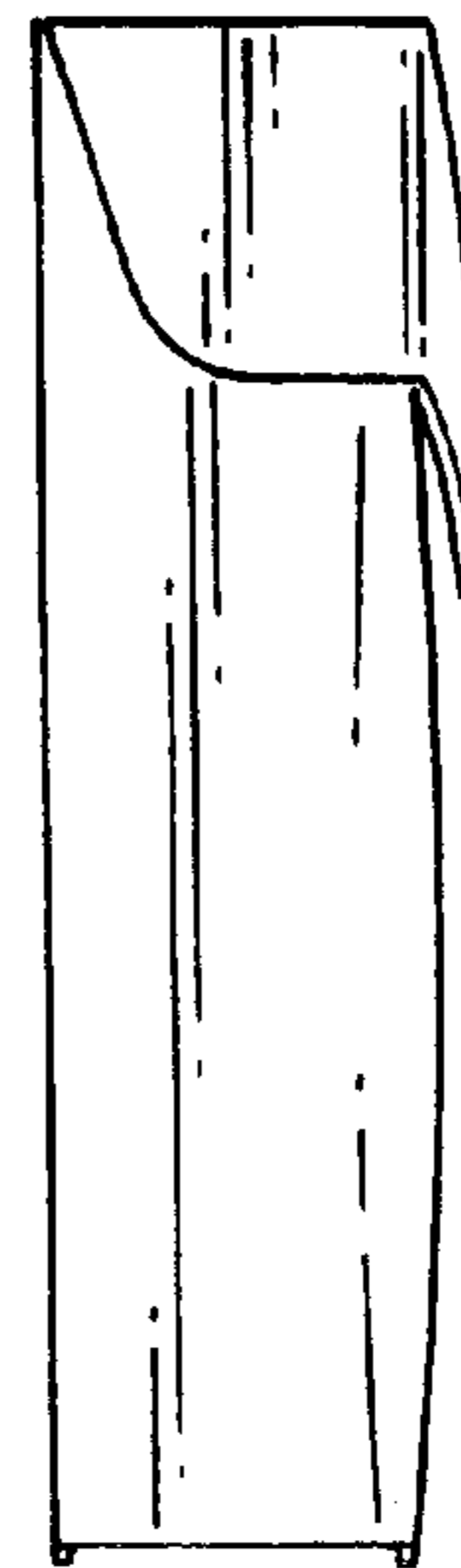


Fig.5.

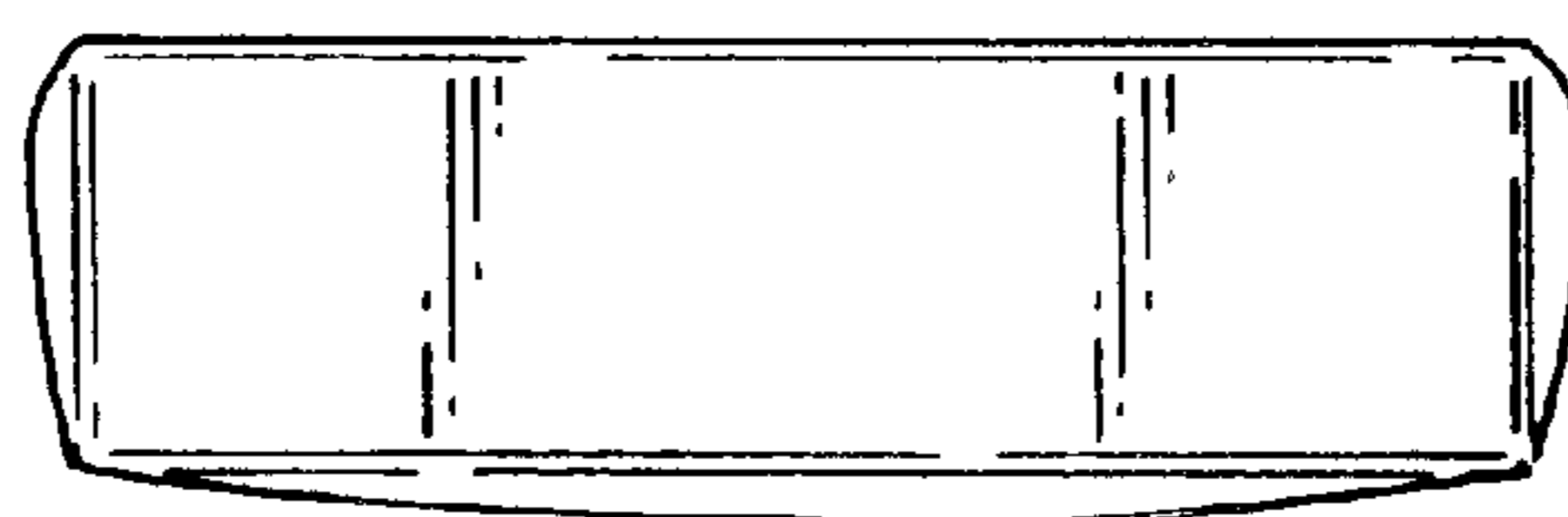


Fig.6.

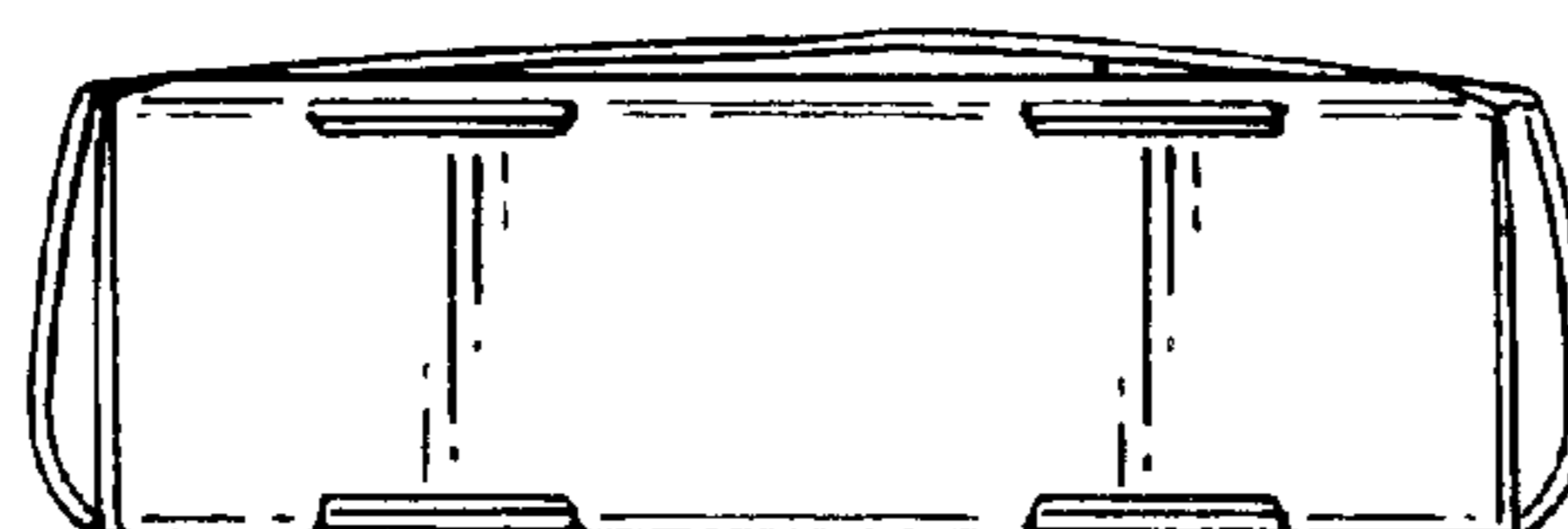


Fig.7.