



US00D538150S

(12) **United States Design Patent**  
**Burns et al.**

(10) **Patent No.:** **US D538,150 S**

(45) **Date of Patent:** **\*\* Mar. 13, 2007**

(54) **WEDGE FASTENER**

(75) Inventors: **William Scott Burns**, Stouffville (CA);  
**Kenneth George Banks**, Burlington  
(CA)

(73) Assignee: **Blok-Lok Limited**, Weston (CA)

(\*\*) Term: **14 Years**

(21) Appl. No.: **29/234,851**

(22) Filed: **Jul. 25, 2005**

(51) **LOC (8) Cl.** ..... **08-08**

(52) **U.S. Cl.** ..... **D8/402**

(58) **Field of Classification Search** ..... D8/400,  
D8/402, 499; 52/126.1; 254/104; 16/82; 292/288  
See application file for complete search history.

(56) **References Cited**

**U.S. PATENT DOCUMENTS**

D31,975 S \* 12/1899 Hunsinger ..... 254/104  
4,135,335 A \* 1/1979 Jensen ..... 254/104  
D269,495 S \* 6/1983 Finn ..... D8/402

D284,738 S \* 7/1986 Stone ..... D8/402  
5,249,767 A \* 10/1993 Mellen ..... 254/104  
D406,028 S \* 2/1999 Montgomery ..... D8/402  
D410,380 S \* 6/1999 Towns ..... D8/402  
6,041,473 A \* 3/2000 Johnson ..... 16/82  
D481,625 S \* 11/2003 Ellsworth ..... D8/402

\* cited by examiner

*Primary Examiner*—Brian N Vinson

(74) *Attorney, Agent, or Firm*—Arne I. Fors

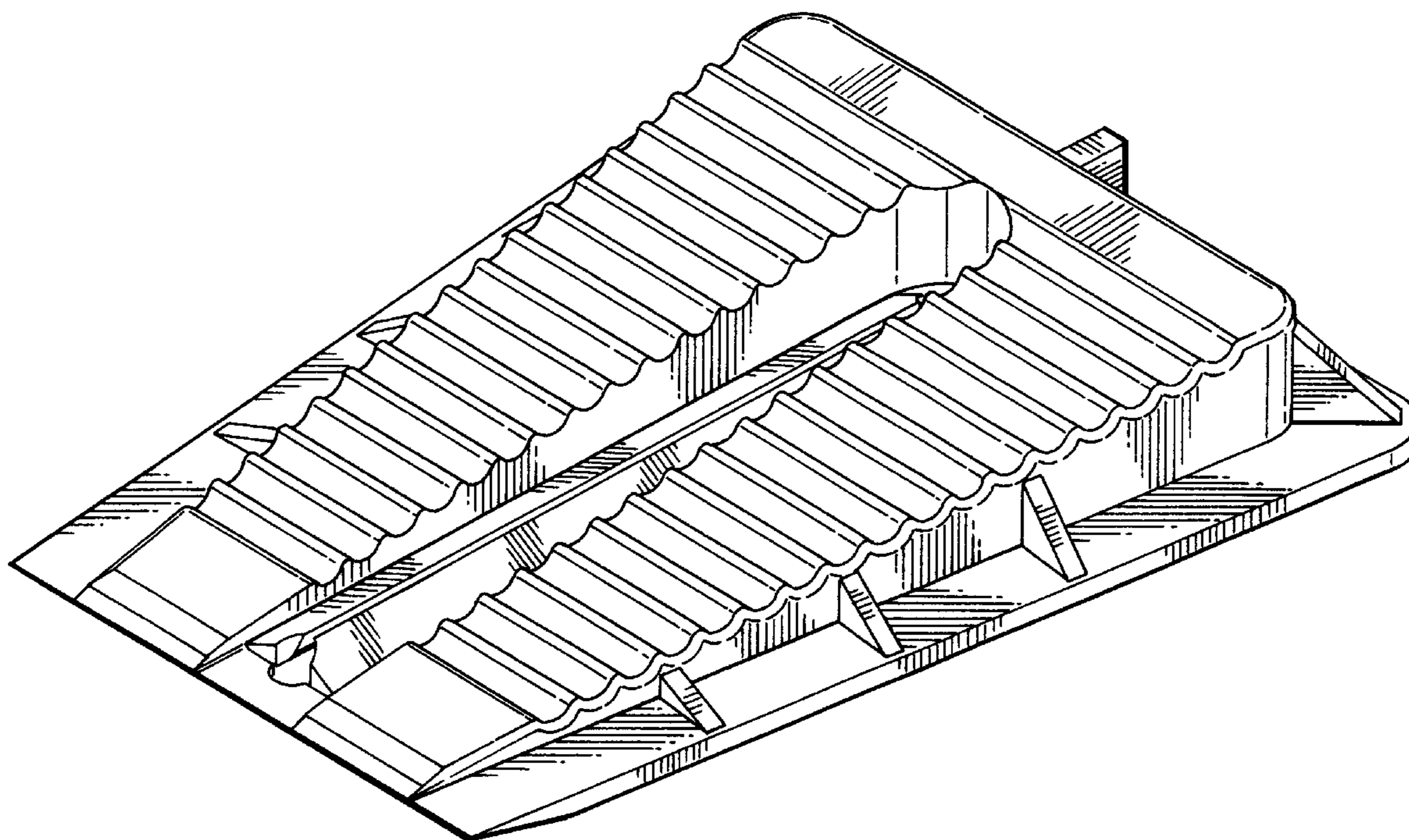
(57) **CLAIM**

The ornamental design is for a wedge fastener, as shown and described.

**DESCRIPTION**

FIG. 1 is a perspective view of the wedge fastener;  
FIG. 2 is a right side view thereof, the left side view being  
a mirror-image thereof;  
FIG. 3 is a top plan view thereof;  
FIG. 4 is a front end elevational view thereof;  
FIG. 5 is a bottom plan view thereof; and,  
FIG. 6 is a back end elevational view thereof.

**1 Claim, 3 Drawing Sheets**



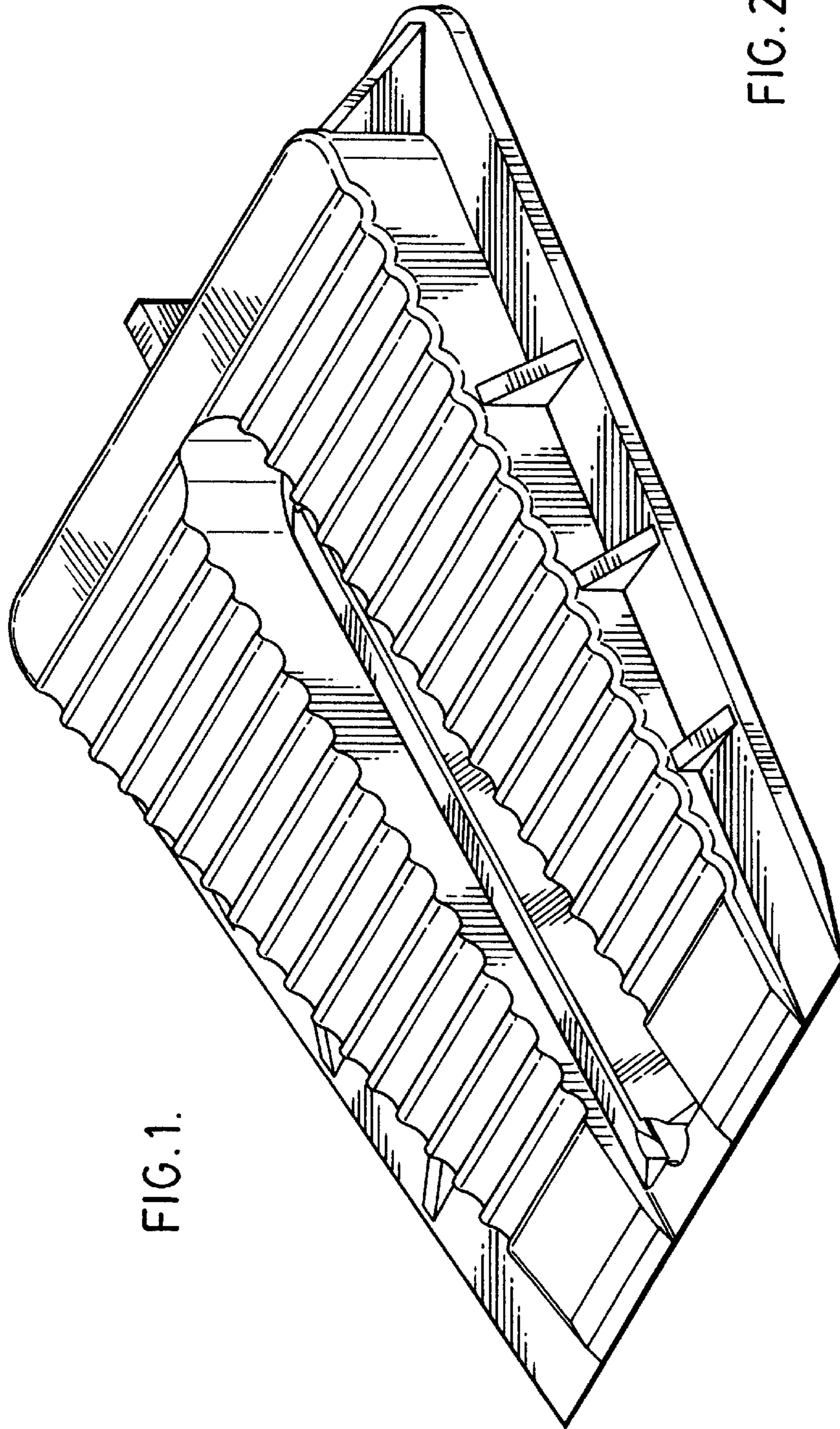
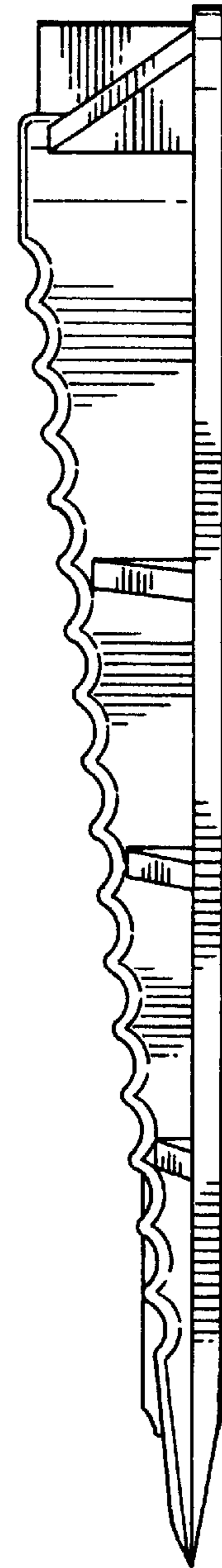


FIG. 1.

FIG. 2.



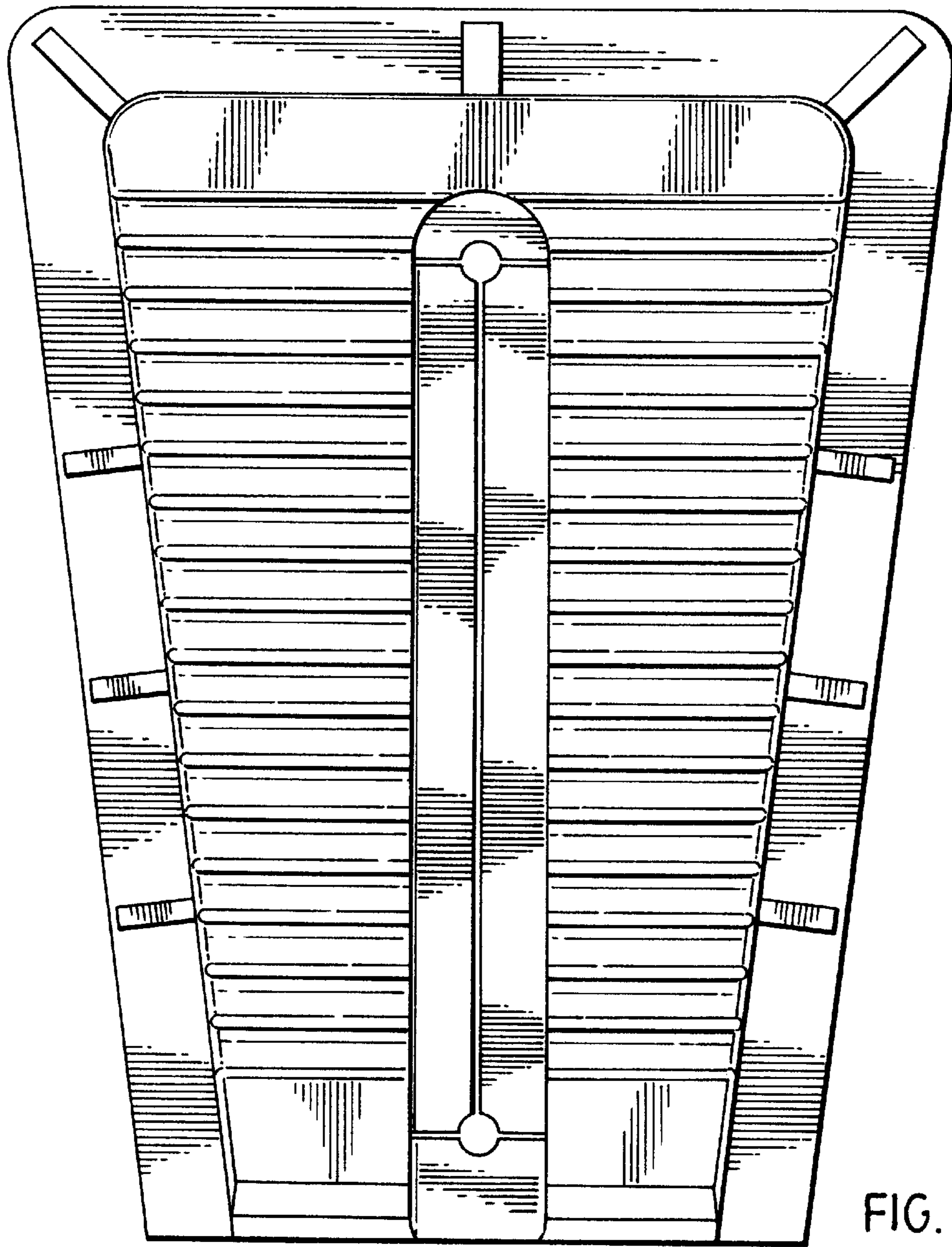
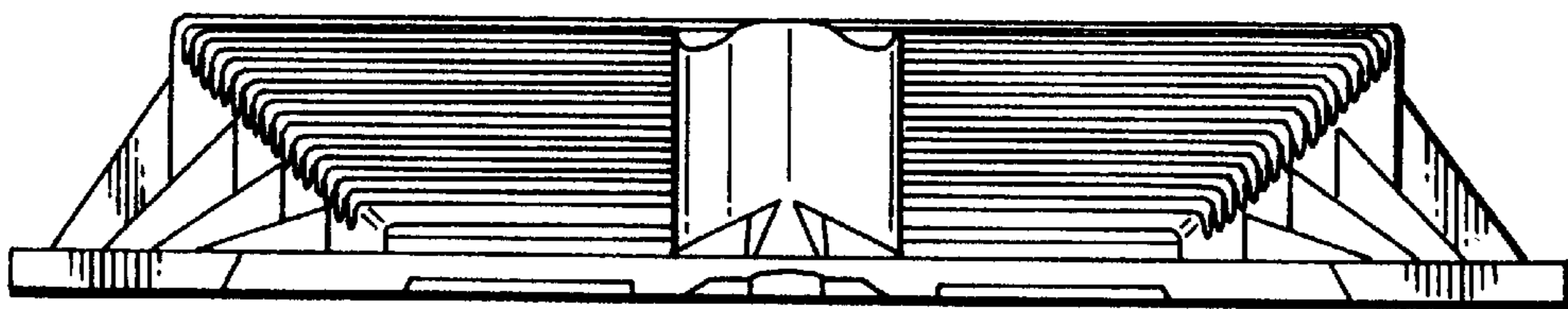


FIG. 3.

FIG. 4.



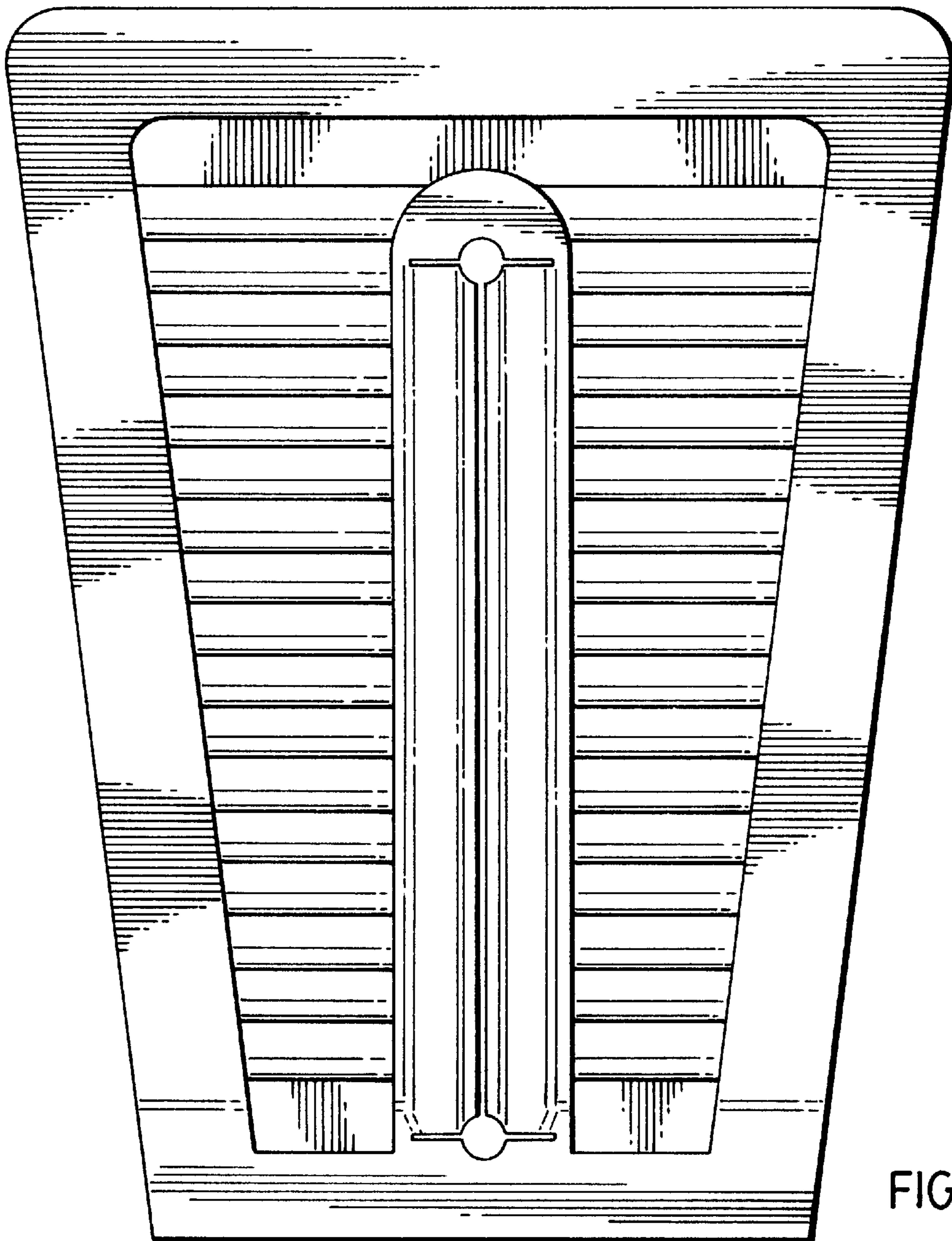


FIG. 6.

