



US00D538148S

(12) **United States Design Patent**  
**Dinh et al.**

(10) **Patent No.:** **US D538,148 S**

(45) **Date of Patent:** **\*\* Mar. 13, 2007**

(54) **PIPE CLAMP**

3,185,419 A 5/1965 Kindorf  
3,226,069 A 12/1965 Clarke  
3,276,800 A 10/1966 Loudon et al.  
3,310,264 A 3/1967 Appleton

(75) Inventors: **Cong Thanh Dinh**, Collierville, TN (US); **Joey D. Magno, Jr.**, Cordova, TN (US); **Charles E. Whipple**, Collierville, TN (US)

(Continued)

**FOREIGN PATENT DOCUMENTS**

(73) Assignee: **Thomas & Betts International, Inc.**, Wilmington, DE (US)

CA 2005007 10/1995

(\*\*) Term: **14 Years**

**OTHER PUBLICATIONS**

(21) Appl. No.: **29/241,979**

(22) Filed: **Nov. 3, 2005**

“Fiberglass Strut Support Systems & Fasteners” (Pipe Clamps), Product Information from Aickinstrut, 4 pages (#34 and #18) (Publication Date Unknown). ERICO Product Search, wysiwyg://20/http://www.ericocom/erico\_p.../caddycfcbkprtonepiecestrutclmpmore.asp, (2 pages) Jul. 5, 2002.

**Related U.S. Application Data**

(63) Continuation of application No. 11/192,866, filed on Jul. 29, 2005.

*Primary Examiner*—Louis S. Zarfaz  
*Assistant Examiner*—John Windmuller

(51) **LOC (8) Cl.** ..... **08-08**

(52) **U.S. Cl.** ..... **D8/396**

(58) **Field of Classification Search** ..... D8/354–356, D8/371, 394–396, 382; 24/16 R, 279; 248/49, 248/62, 74.1–74.4, 73

(74) *Attorney, Agent, or Firm*—Hoffman & Baron, LLP

See application file for complete search history.

(57) **CLAIM**

The ornamental design of a pipe clamp, substantially as shown and described.

**DESCRIPTION**

(56) **References Cited**

**U.S. PATENT DOCUMENTS**

421,907 A 2/1890 Casler  
2,176,405 A 10/1939 Lombard  
2,375,513 A 5/1945 Bach  
2,390,750 A 12/1945 Tinnerman  
2,494,137 A 1/1950 Martines  
2,748,452 A 6/1956 Pierce  
2,764,791 A 10/1956 Bedford, Jr.  
2,846,169 A 8/1958 Sullivan  
2,863,203 A 12/1958 Dalplaz  
2,863,625 A 12/1958 Attwood  
2,891,296 A 6/1959 Darde  
2,938,742 A 5/1960 Teator  
2,998,217 A 8/1961 Englis et al.  
3,066,903 A 12/1962 Tinnerman  
3,167,286 A 1/1965 Sherburne

FIG. 1 is a perspective view of a pipe clamp showing our new design;

FIG. 2 is a front elevational view thereof in use with a pipe and channel;

FIG. 3 is a right side elevational view thereof in use with a pipe and channel;

FIG. 4 is a rear elevational view thereof in use with a pipe and channel;

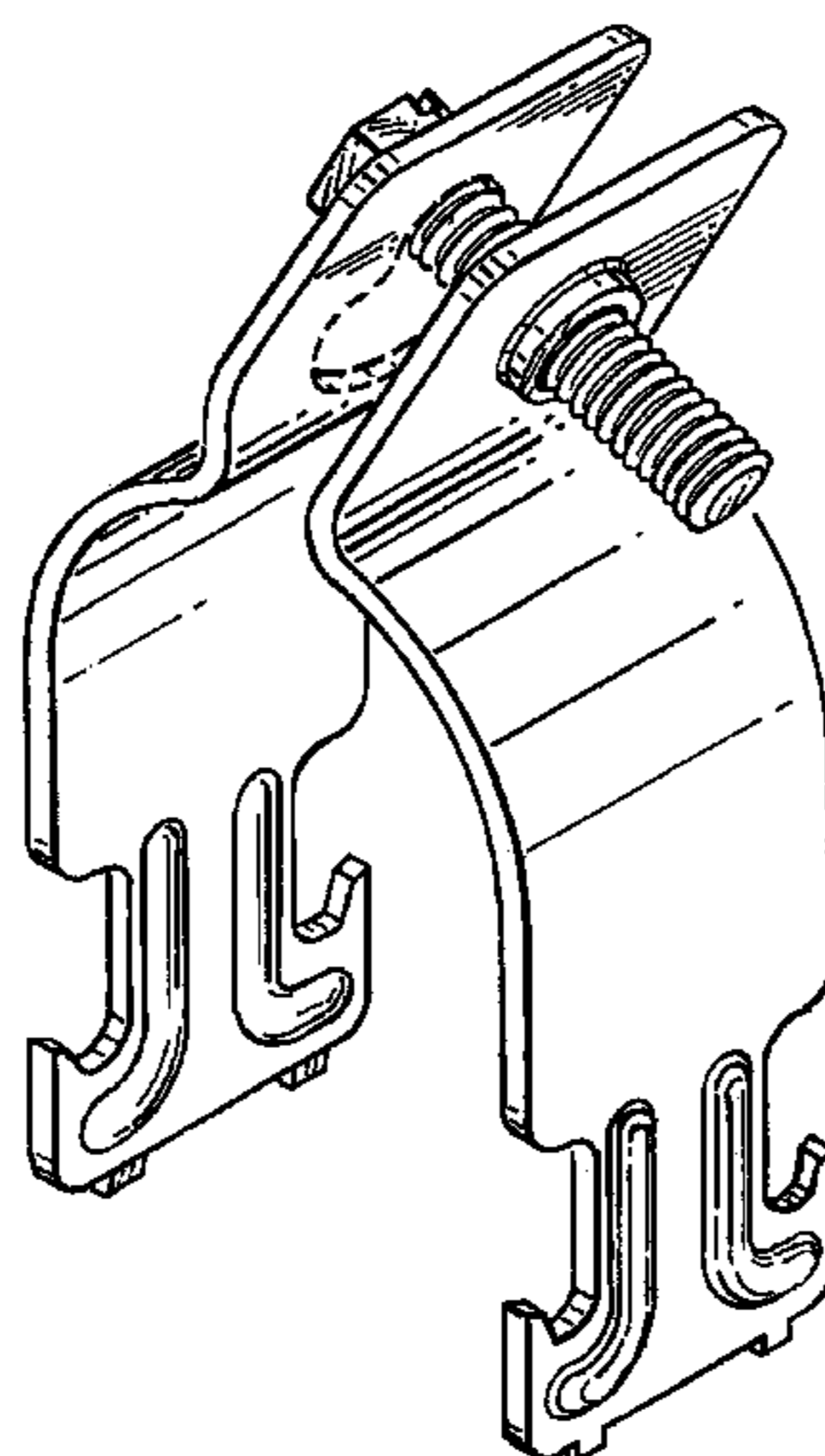
FIG. 5 is a left side elevational view thereof in use with a pipe and channel;

FIG. 6 is a top plan view thereof; and,

FIG. 7 is a bottom plan view thereof.

The broken line showing of a screw aperture, pipe, and channel is included for the purpose of illustrating environment and forms no part of the claimed design.

**1 Claim, 4 Drawing Sheets**



# US D538,148 S

## U.S. PATENT DOCUMENTS

|               |         |                     |               |         |                        |          |  |
|---------------|---------|---------------------|---------------|---------|------------------------|----------|--|
|               |         |                     |               |         |                        |          |  |
|               |         |                     | 5,118,237 A   | 6/1992  | Wright                 |          |  |
| 3,370,815 A   | 2/1968  | Opperthausen        | 5,141,186 A * | 8/1992  | Cusic .....            | 248/73   |  |
| 3,417,951 A   | 12/1968 | Rebentisch, Jr.     | 5,152,651 A   | 10/1992 | Artéon                 |          |  |
| 3,463,428 A   | 8/1969  | Kindorf et al.      | 5,163,644 A   | 11/1992 | Kowalski               |          |  |
| 3,473,219 A   | 10/1969 | Randar et al.       | D333,087 S    | 2/1993  | Tekirian               |          |  |
| 3,486,726 A * | 12/1969 | Kindorf et al. .... | 5,216,784 A   | 6/1993  | Dyer                   |          |  |
|               |         | 248/72              | 5,226,678 A   | 7/1993  | Petranto               |          |  |
| 3,522,921 A   | 8/1970  | Lytle               | D338,153 S *  | 8/1993  | Hutton et al. ....     | D8/394   |  |
| 3,527,432 A   | 9/1970  | Lytle               | 5,234,185 A   | 8/1993  | Hoffman et al.         |          |  |
| 3,532,311 A   | 10/1970 | Havener             | 5,274,888 A   | 1/1994  | Payne                  |          |  |
| 3,547,385 A   | 12/1970 | Kindorf             | 5,330,216 A   | 7/1994  | Schnell                |          |  |
| 3,588,792 A   | 6/1971  | Kindell et al.      | 5,478,033 A   | 12/1995 | Hungerford, Jr.        |          |  |
| 3,599,921 A   | 8/1971  | Cumber              | 5,647,563 A   | 7/1997  | Gantner et al.         |          |  |
| 3,602,960 A   | 9/1971  | Urbigkeit et al.    | 5,653,481 A   | 8/1997  | Alderman               |          |  |
| 3,650,449 A   | 3/1972  | Mundus              | 5,697,585 A   | 12/1997 | Hungerford, Jr.        |          |  |
| 3,795,889 A   | 3/1974  | Nauman et al.       | 5,725,930 A   | 3/1998  | Zibera                 |          |  |
| 4,044,428 A   | 8/1977  | Kowalski            | 5,738,386 A   | 4/1998  | Barefoot et al.        |          |  |
| 4,046,344 A   | 9/1977  | Scanlan             | 5,772,258 A   | 6/1998  | Dyer et al.            |          |  |
| 4,059,872 A   | 11/1977 | Delesandri          | 5,794,896 A   | 8/1998  | Hungerford, Jr.        |          |  |
| 4,102,482 A   | 7/1978  | Ruegsegger          | 5,855,342 A   | 1/1999  | Hawkins et al.         |          |  |
| 4,118,859 A   | 10/1978 | Busler              | 5,893,538 A   | 4/1999  | Onishi et al.          |          |  |
| 4,157,800 A   | 6/1979  | Senter et al.       | 5,944,365 A   | 8/1999  | Kizler et al.          |          |  |
| 4,185,802 A   | 1/1980  | Myles et al.        | 5,944,467 A   | 8/1999  | Yuta                   |          |  |
| 4,189,523 A   | 2/1980  | Pearson             | 5,957,739 A   | 9/1999  | Bianca et al.          |          |  |
| 4,265,508 A   | 5/1981  | Chisholm            | 5,984,243 A * | 11/1999 | Pfaller et al. ....    | 248/74.1 |  |
| 4,378,187 A   | 3/1983  | Fullerton           | 6,105,216 A   | 8/2000  | Opperthausen           |          |  |
| 4,417,711 A   | 11/1983 | Madej               | 6,126,122 A   | 10/2000 | Ismert                 |          |  |
| 4,428,642 A   | 1/1984  | Schwindt et al.     | 6,138,960 A   | 10/2000 | Carbonare et al.       |          |  |
| 4,500,579 A   | 2/1985  | Norden              | 6,205,650 B1  | 3/2001  | Enoch et al.           |          |  |
| 4,516,296 A * | 5/1985  | Sherman .....       | 6,305,650 B1  | 10/2001 | Hawkins et al.         |          |  |
|               |         | 24/279              | 6,308,921 B1  | 10/2001 | Borzucki               |          |  |
| 4,536,953 A   | 8/1985  | De Vera             | 6,361,260 B1  | 3/2002  | Schirmacher            |          |  |
| D289,036 S    | 3/1987  | Wallgren            | 6,446,915 B1  | 9/2002  | Ismert                 |          |  |
| 4,757,965 A   | 7/1988  | Allen               | 6,679,461 B1  | 1/2004  | Hawkins                |          |  |
| 4,783,040 A   | 11/1988 | Lindberg et al.     | D522,834 S *  | 6/2006  | Lalancette et al. .... | D8/72    |  |
| 4,790,060 A   | 12/1988 | Council et al.      |               |         |                        |          |  |
| 4,851,964 A   | 7/1989  | Endo                |               |         |                        |          |  |
| 5,085,550 A   | 2/1992  | Kendrick            |               |         |                        |          |  |
| 5,106,251 A   | 4/1992  | Steinbach           |               |         |                        |          |  |

\* cited by examiner

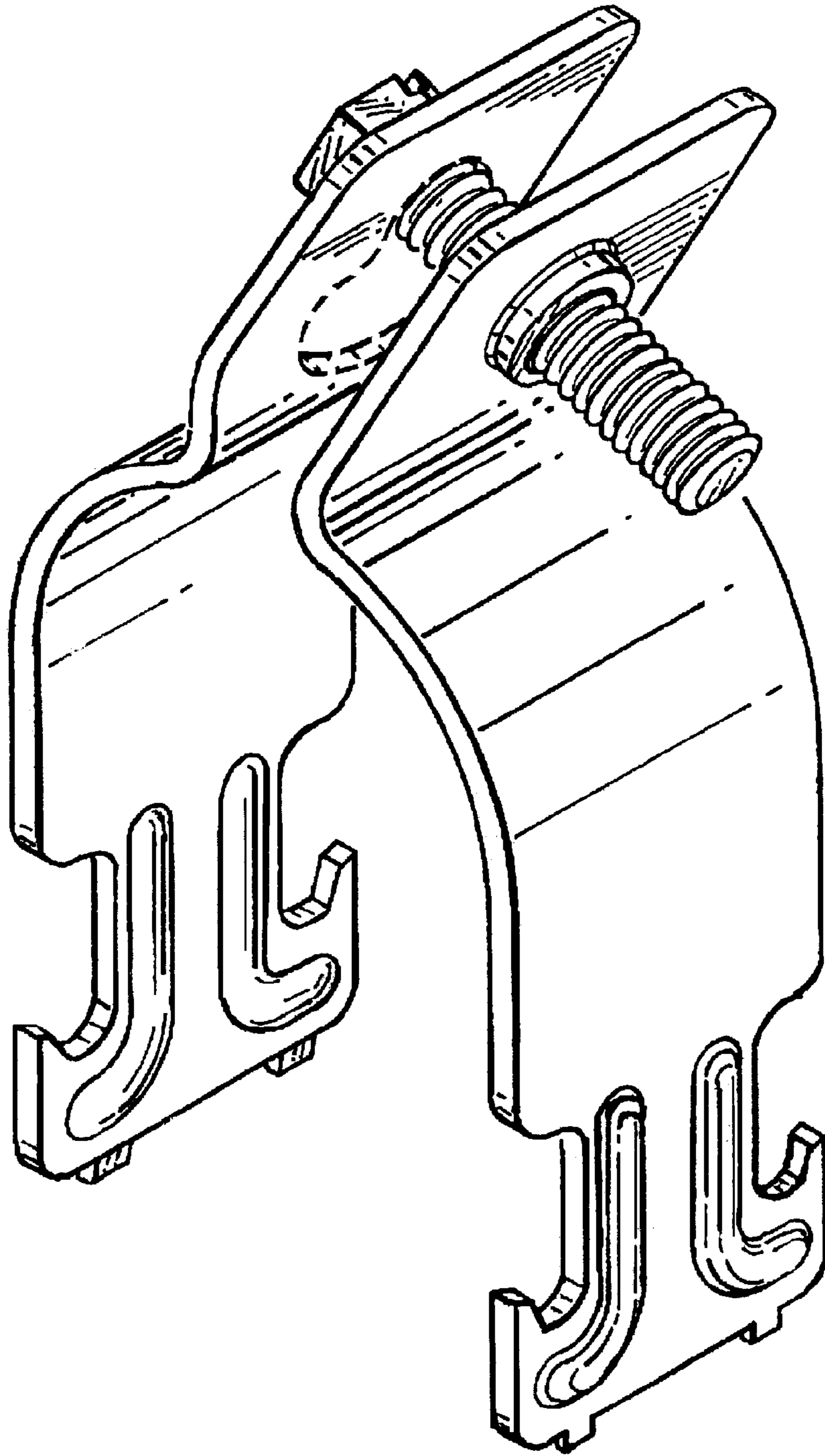


FIG. 1

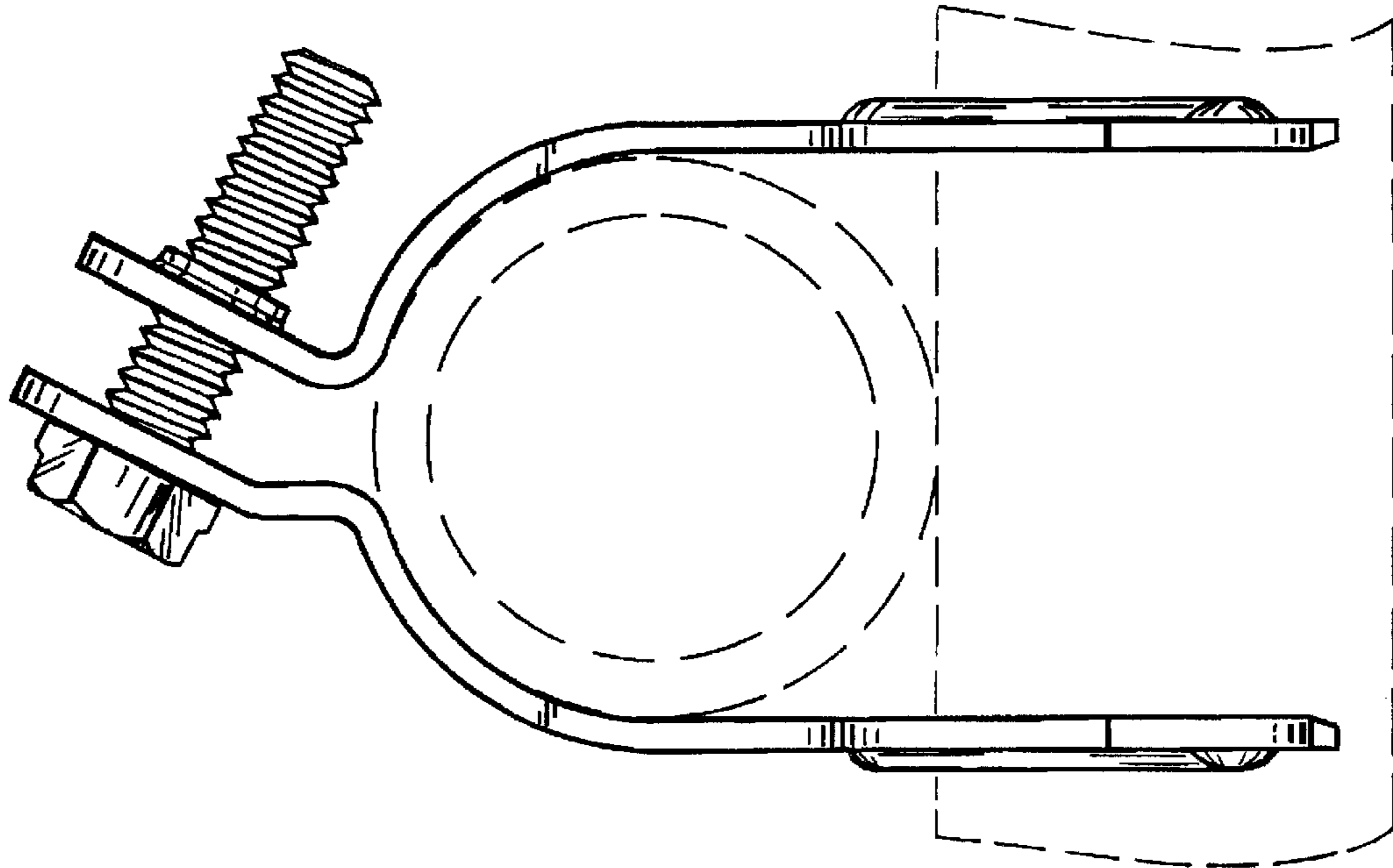


FIG. 2

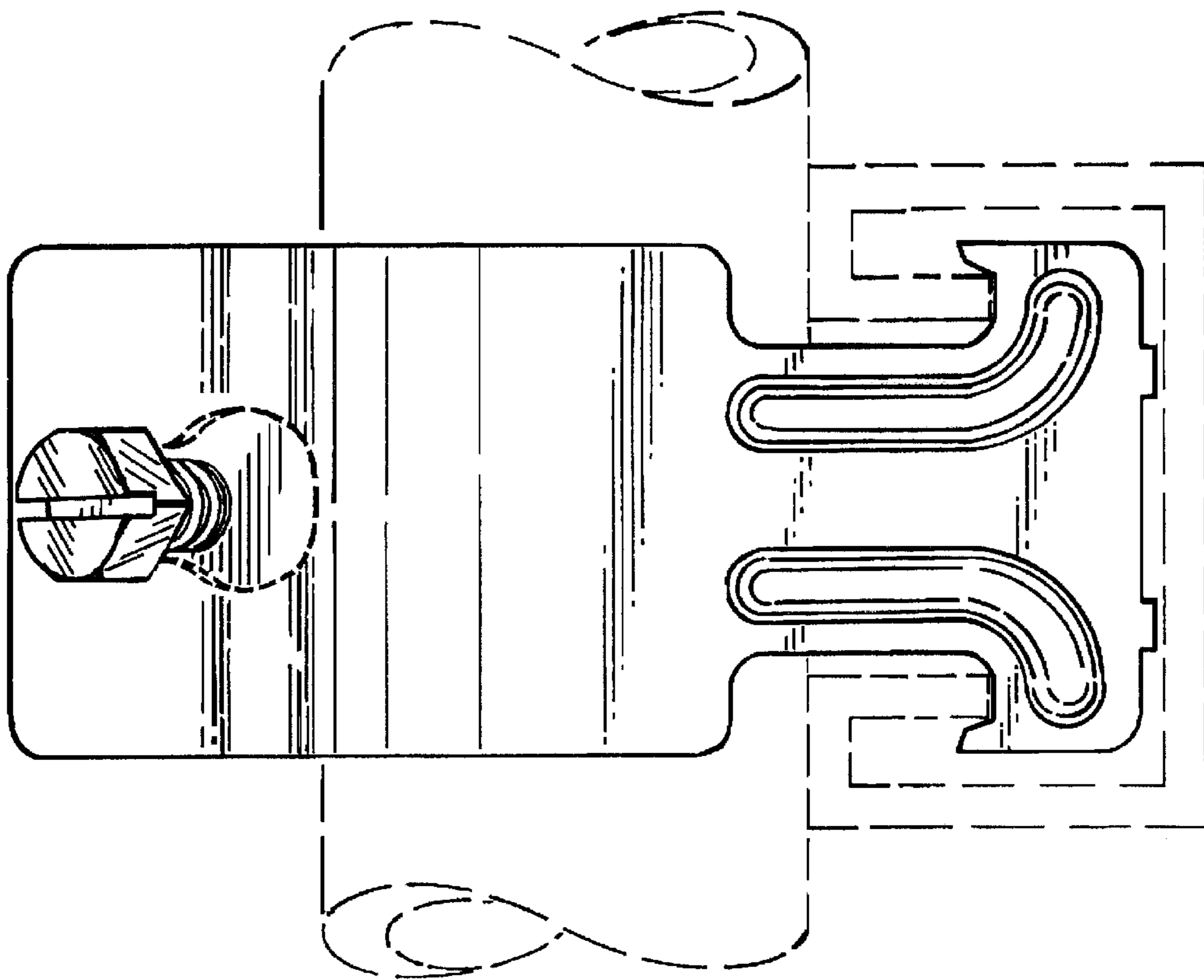


FIG. 3

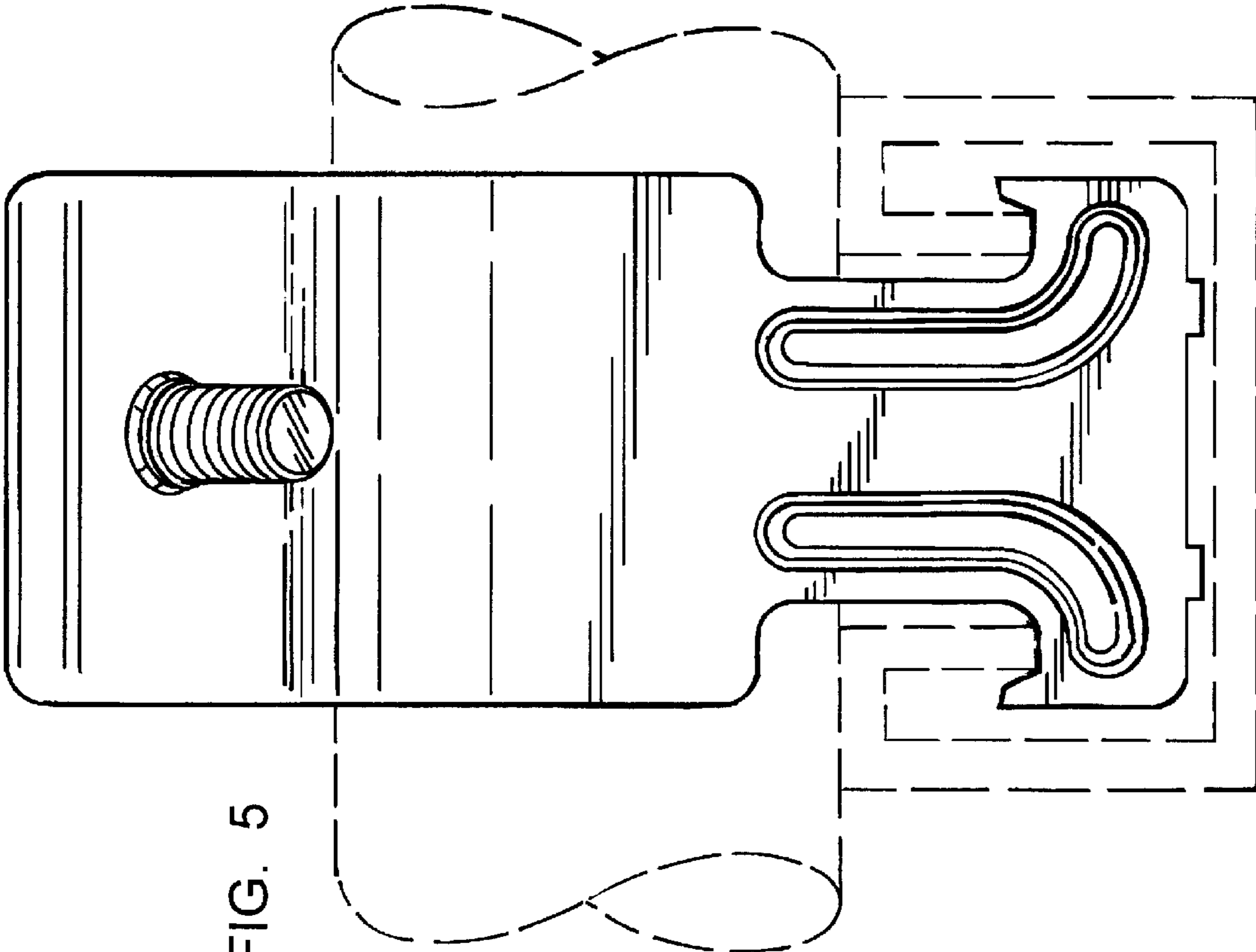


FIG. 5

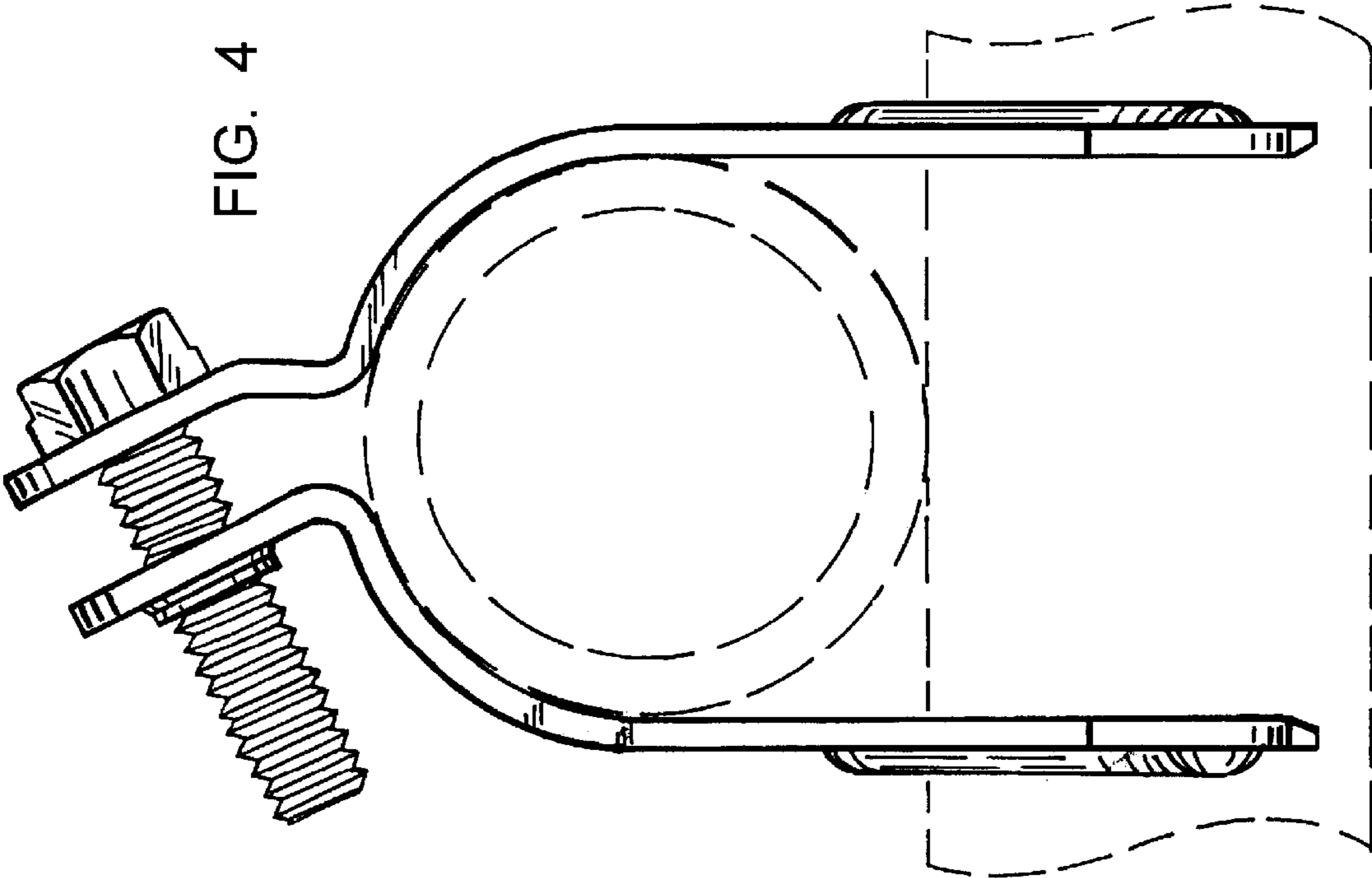


FIG. 4

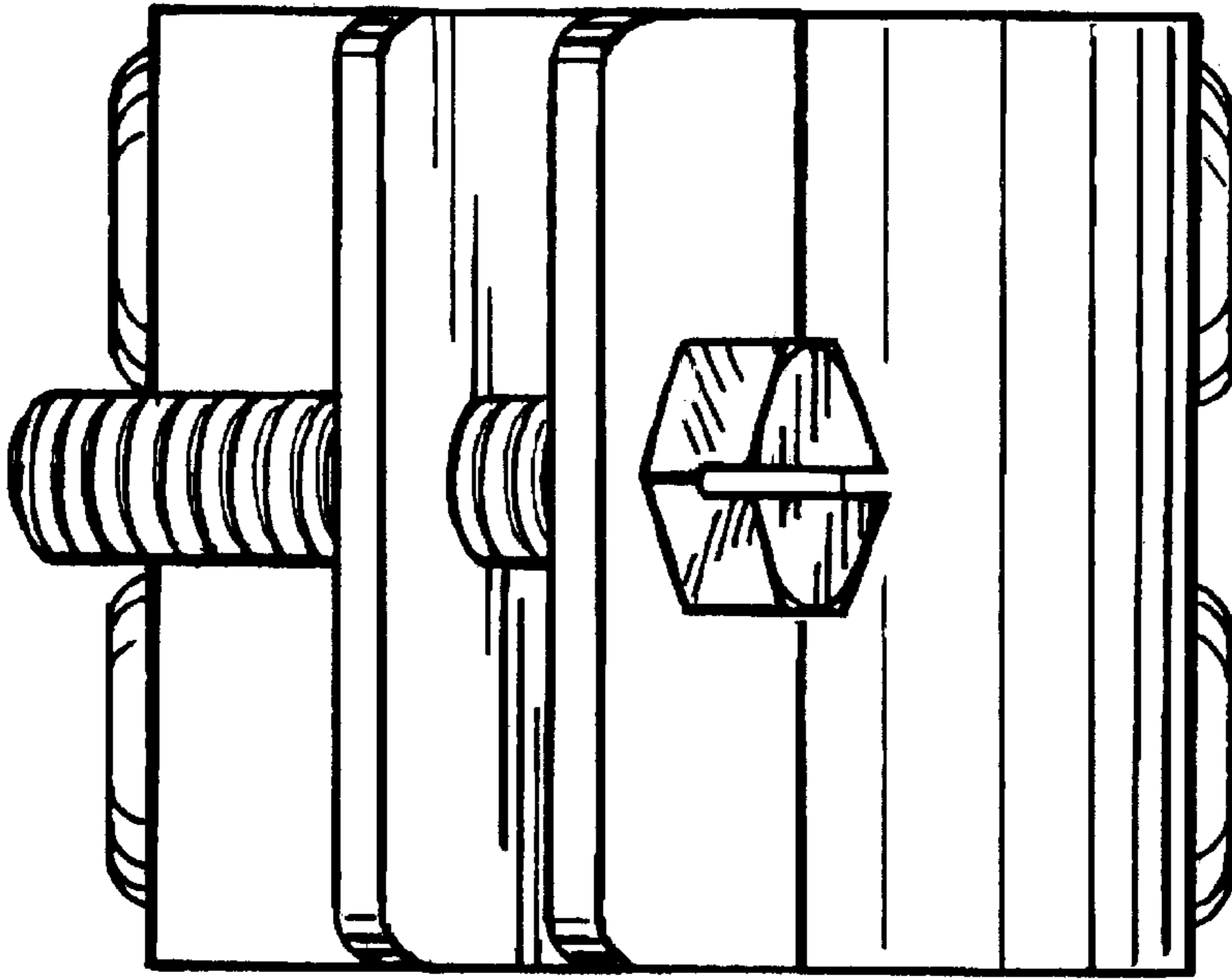


FIG. 6

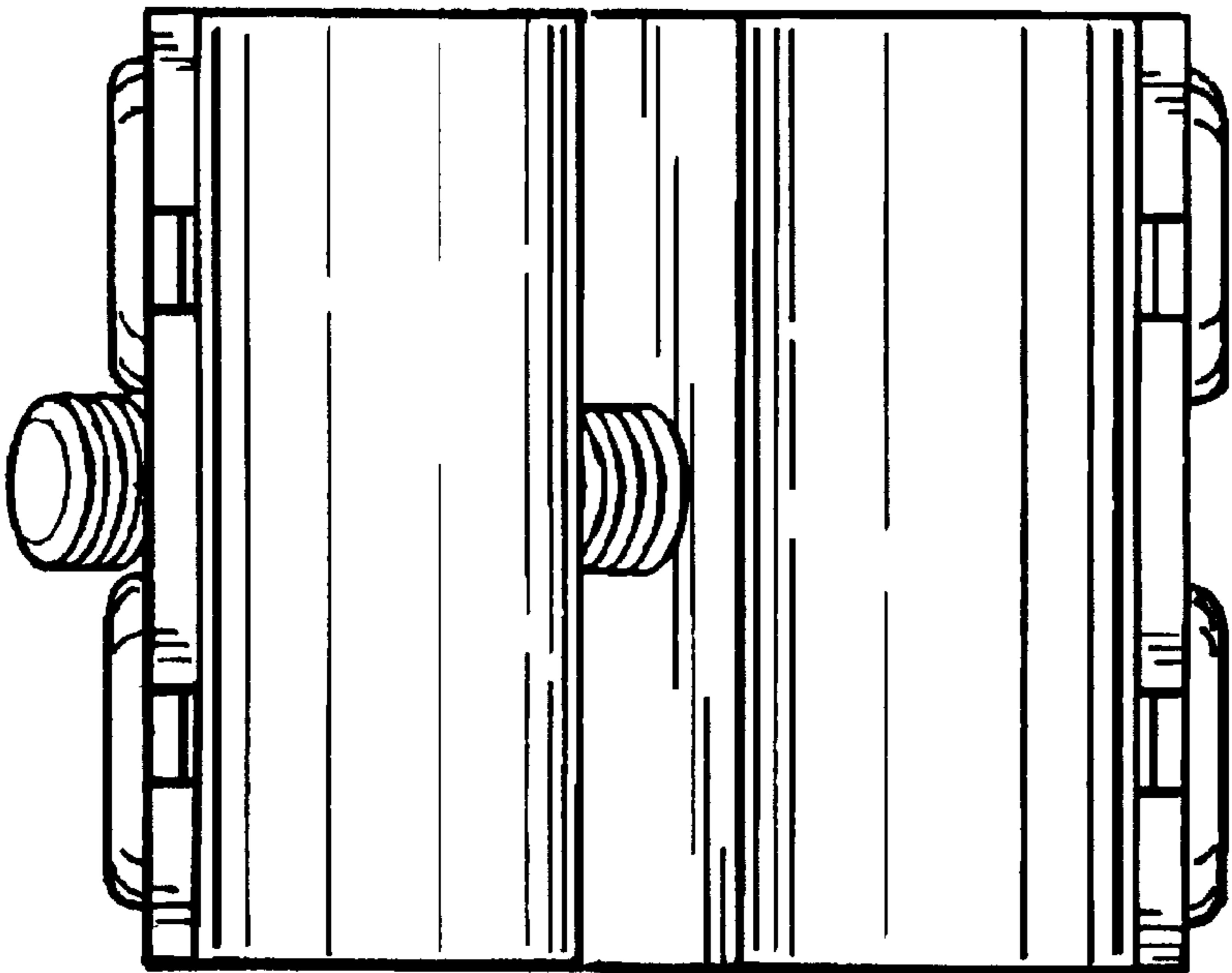


FIG. 7