

US00D538147S

(12) **United States Design Patent**
James

(10) **Patent No.:** **US D538,147 S**
(45) **Date of Patent:** **** Mar. 13, 2007**

(54) **CLIP FOR A PICTURE/PHOTOGRAPH SUPPORT**

2,945,277 A * 7/1960 Wiora 24/281
3,195,253 A * 7/1965 White 40/119
D257,557 S * 11/1980 Rex D12/51

(75) Inventor: **Anthony James**, Coates (GB)

* cited by examiner

(73) Assignee: **Excelda Enterprises Limited** (GB)

Primary Examiner—Louis S. Zarfaz

(**) Term: **14 Years**

Assistant Examiner—John Windmuller

(21) Appl. No.: **29/252,430**

(74) *Attorney, Agent, or Firm*—Skinner and Associates

(22) Filed: **Jan. 23, 2006**

(57) **CLAIM**

(30) **Foreign Application Priority Data**

The ornamental design for a clip for a picture/photograph support, as shown.

Jul. 23, 2005 (EM) 000379128

DESCRIPTION

(51) **LOC (8) Cl.** **08-08**

FIG. 1 is a top perspective view of a clip for a picture/ photograph support showing my new design;

(52) **U.S. Cl.** **D8/395**

FIG. 2 is a top plan view thereof; and

(58) **Field of Classification Search** D8/356,

FIG. 3 is a front elevational view thereof;

D8/371, 394–396, 499, 53, 100, 365; D12/51;

FIG. 4 is a left side elevational view thereof;

D19/65, 90; D28/39, 40, 42; 24/546, 563,

FIG. 5 is a bottom plan view thereof;

24/910, 327, 334, DIG. 8, DIG. 9, DIG. 13,

FIG. 6 is a right side elevational view thereof; and,

24/DIG. 28; 248/74.2, 300, 301, 316.7, 229.26

FIG. 7 is a rear elevational view thereof.

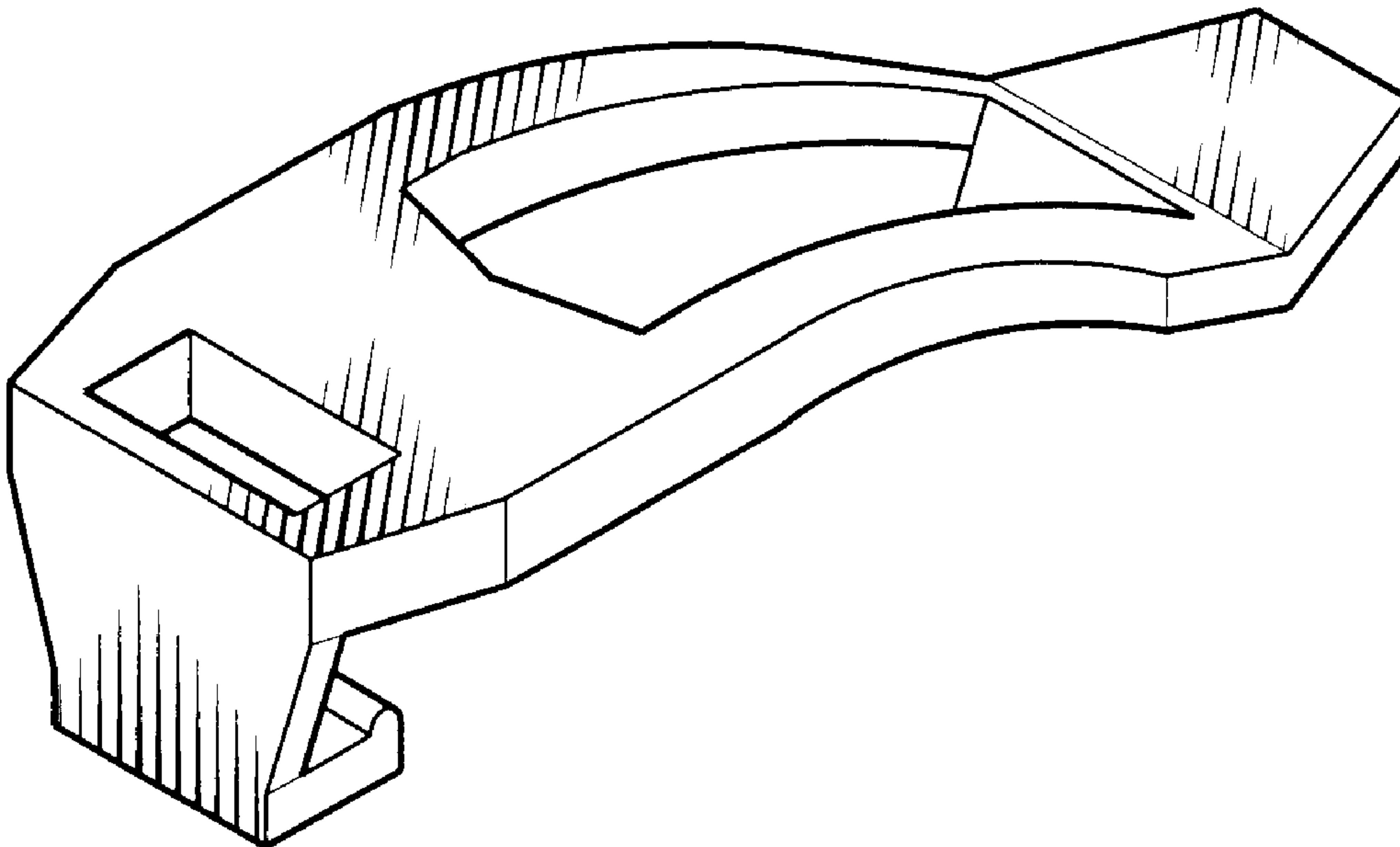
See application file for complete search history.

(56) **References Cited**

U.S. PATENT DOCUMENTS

D163,469 S * 5/1951 Moody D8/383

1 Claim, 2 Drawing Sheets



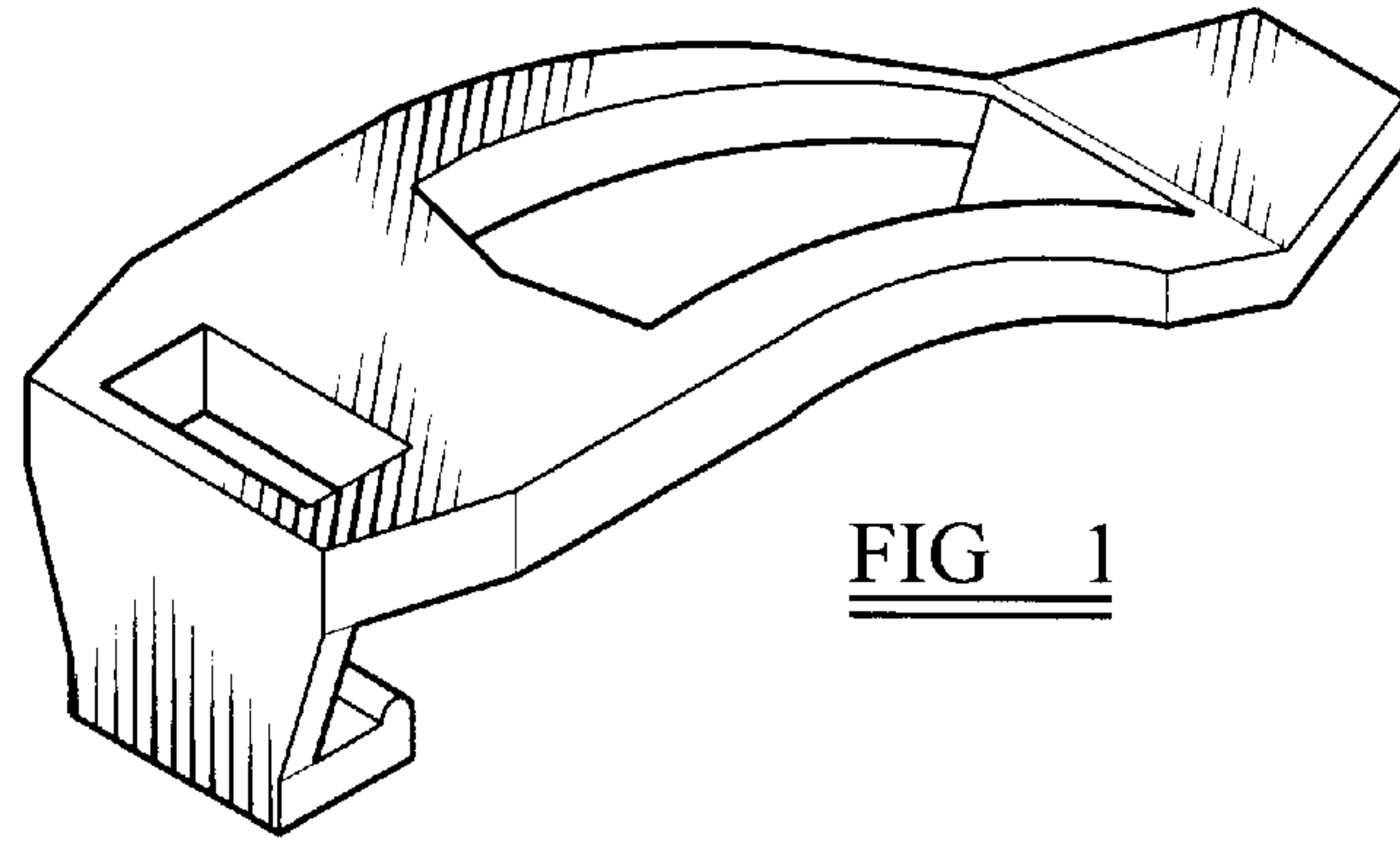


FIG 1

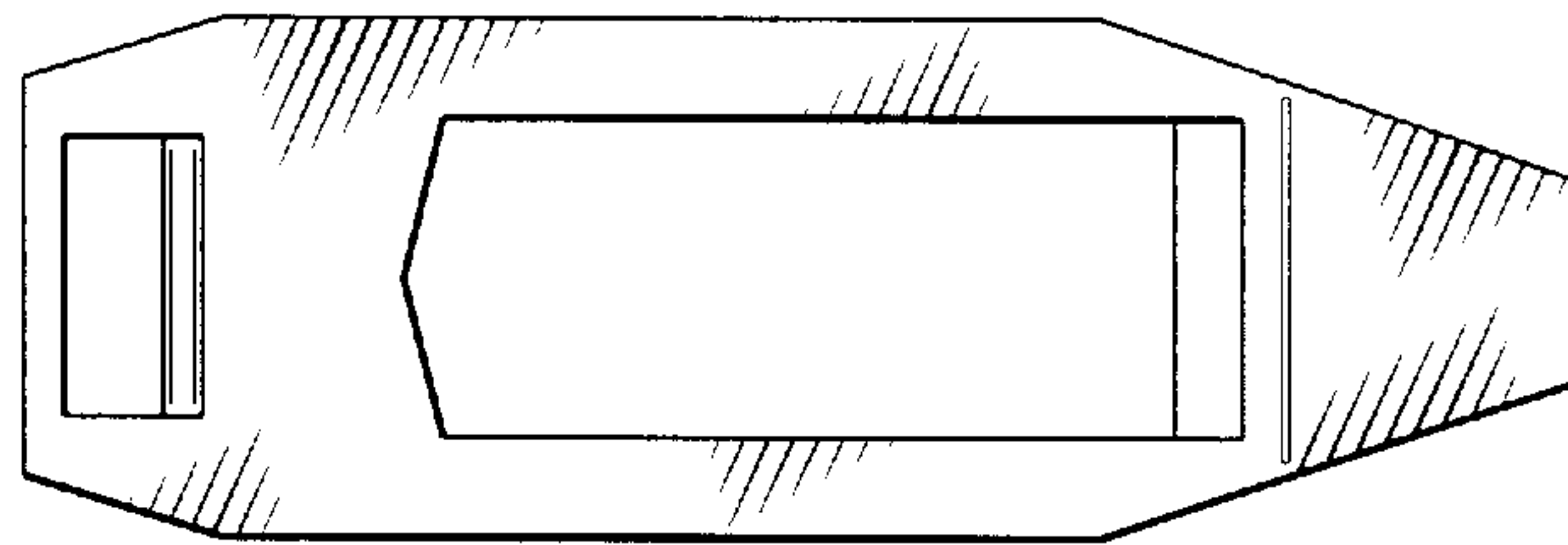


FIG 2

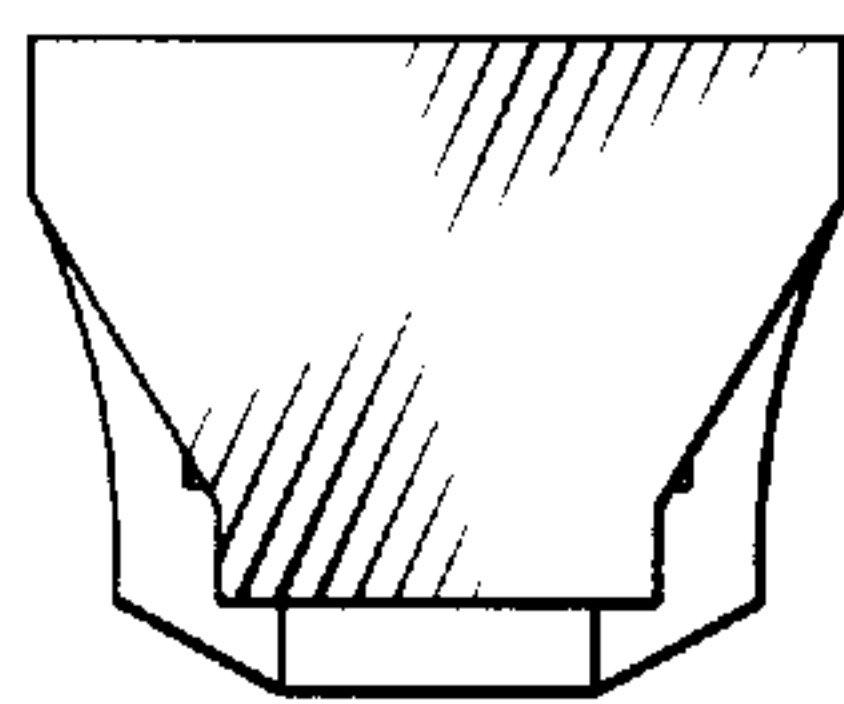


FIG 3



FIG 4

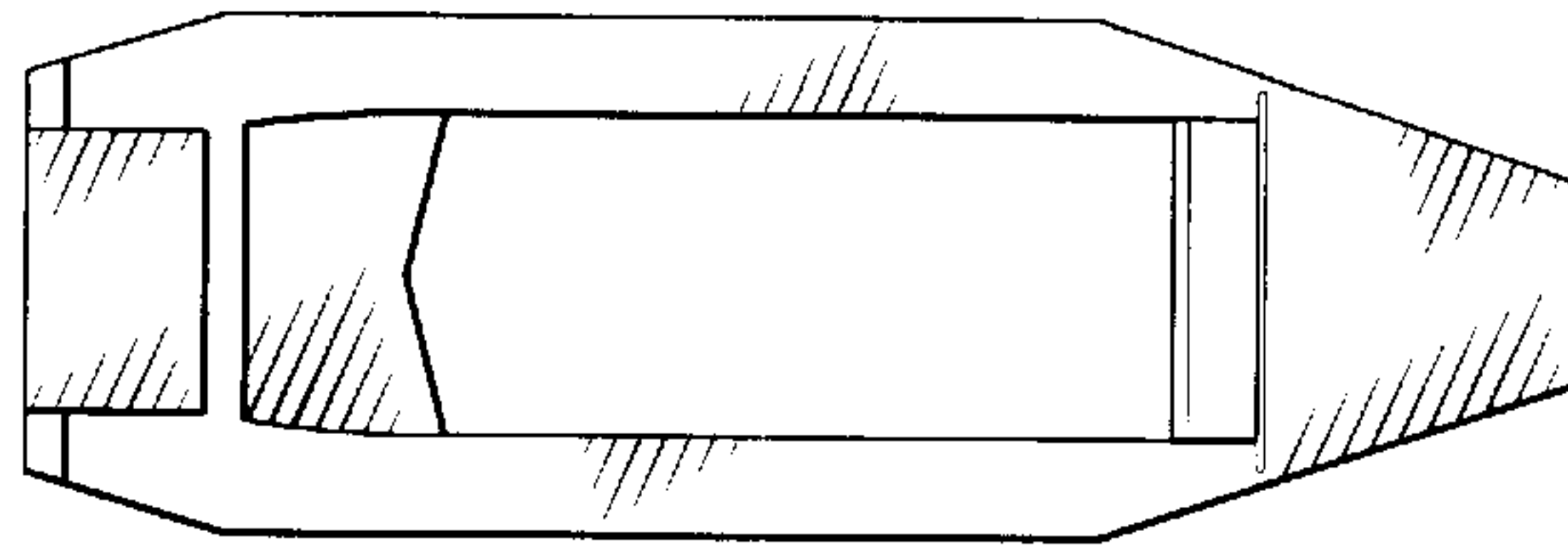


FIG 5



FIG 6

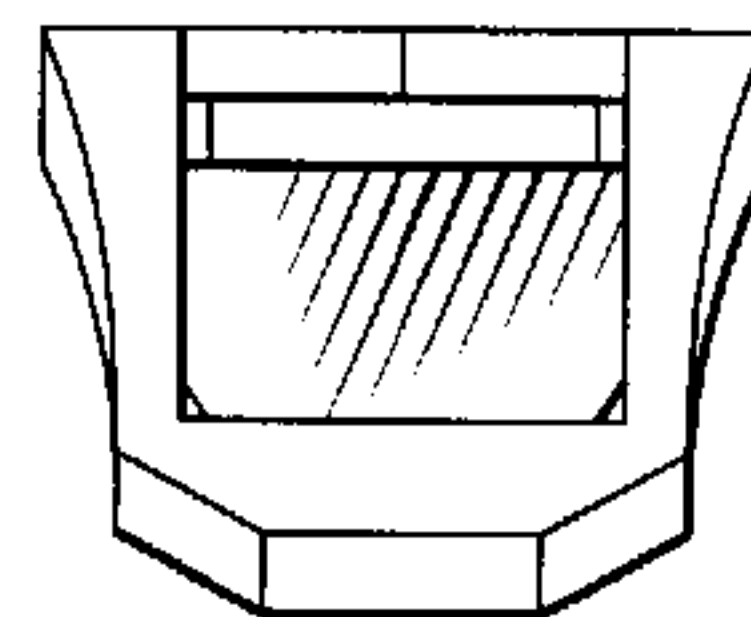


FIG 7