



US00D538143S

(12) **United States Design Patent**
Pu et al.

(10) **Patent No.:** **US D538,143 S**

(45) **Date of Patent:** **** Mar. 13, 2007**

(54) **CLAMP FOR LOW-VOLTAGE LIGHT**

(75) Inventors: **Mingqiang Pu**, Xinhua Town (CN);
Gregory G. Kuelbs, Westlake, TX (US)

(73) Assignee: **World Factory, Inc.**, Coppell, TX (US)

(**) Term: **14 Years**

(21) Appl. No.: **29/205,996**

(22) Filed: **May 24, 2004**

(51) **LOC (8) Cl.** **08-08**

(52) **U.S. Cl.** **D8/394**

(58) **Field of Classification Search** D8/356,
D8/371, 394-396, 499, 53, 100, 365; D12/51;
D19/65, 90; D28/39, 40, 42; 24/546, 563,
24/910, 327, 334, DIG. 8, DIG. 9, DIG. 13,
24/DIG. 28; 248/74.2, 300, 301, 316.7, 229.26
See application file for complete search history.

(56) **References Cited**

U.S. PATENT DOCUMENTS

1,925,283	A	*	9/1933	Searles	174/71	R
2,287,761	A	*	6/1942	Matthysse	439/804	
3,860,351	A	*	1/1975	Weiss et al.	403/218	
D247,420	S	*	3/1978	Reynolds	D8/373	
D301,244	S	*	5/1989	Chino	D14/217	
5,007,855	A		4/1991	O'Brien et al.	439/411	
5,199,899	A		4/1993	Ittah	439/403	

5,321,592	A	6/1994	Marinacci	362/226
5,378,171	A	1/1995	Czerlanis	439/425
5,556,297	A	9/1996	Bray et al.	439/405
5,888,090	A	3/1999	Achee	439/417
6,109,951	A	8/2000	Huang	439/419
6,537,102	B1	3/2003	Lin	439/425

* cited by examiner

Primary Examiner—Louis S. Zarfaz

Assistant Examiner—John Windmuller

(74) *Attorney, Agent, or Firm*—James E. Walton

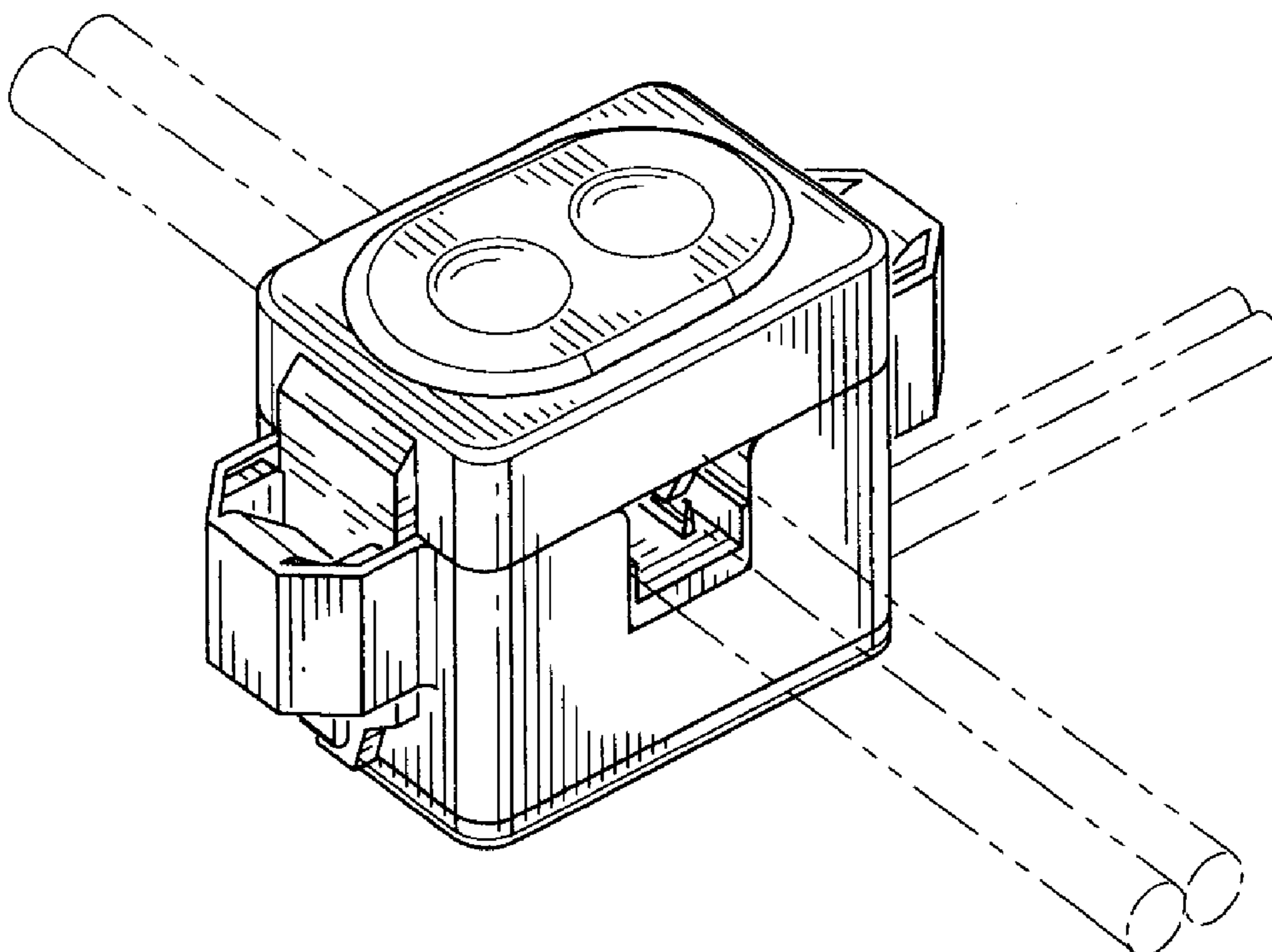
(57) **CLAIM**

The ornamental design for a clamp for low-voltage light, as shown and described.

DESCRIPTION

FIG. 1 is a perspective view of a clamp for low-voltage light shown in use with wires, showing our new design; FIG. 2 is a front elevational view thereof; FIG. 3 is a left side elevational view thereof, the right side elevational view being identical; FIG. 4 is a top plan view thereof; FIG. 5 is a bottom plan view thereof; and, FIG. 6 is an exploded perspective view thereof. The broken lines in FIGS. 1, 3, 5, and 6 are included for the purpose of illustrating environment and form no part of the claimed design.

1 Claim, 2 Drawing Sheets



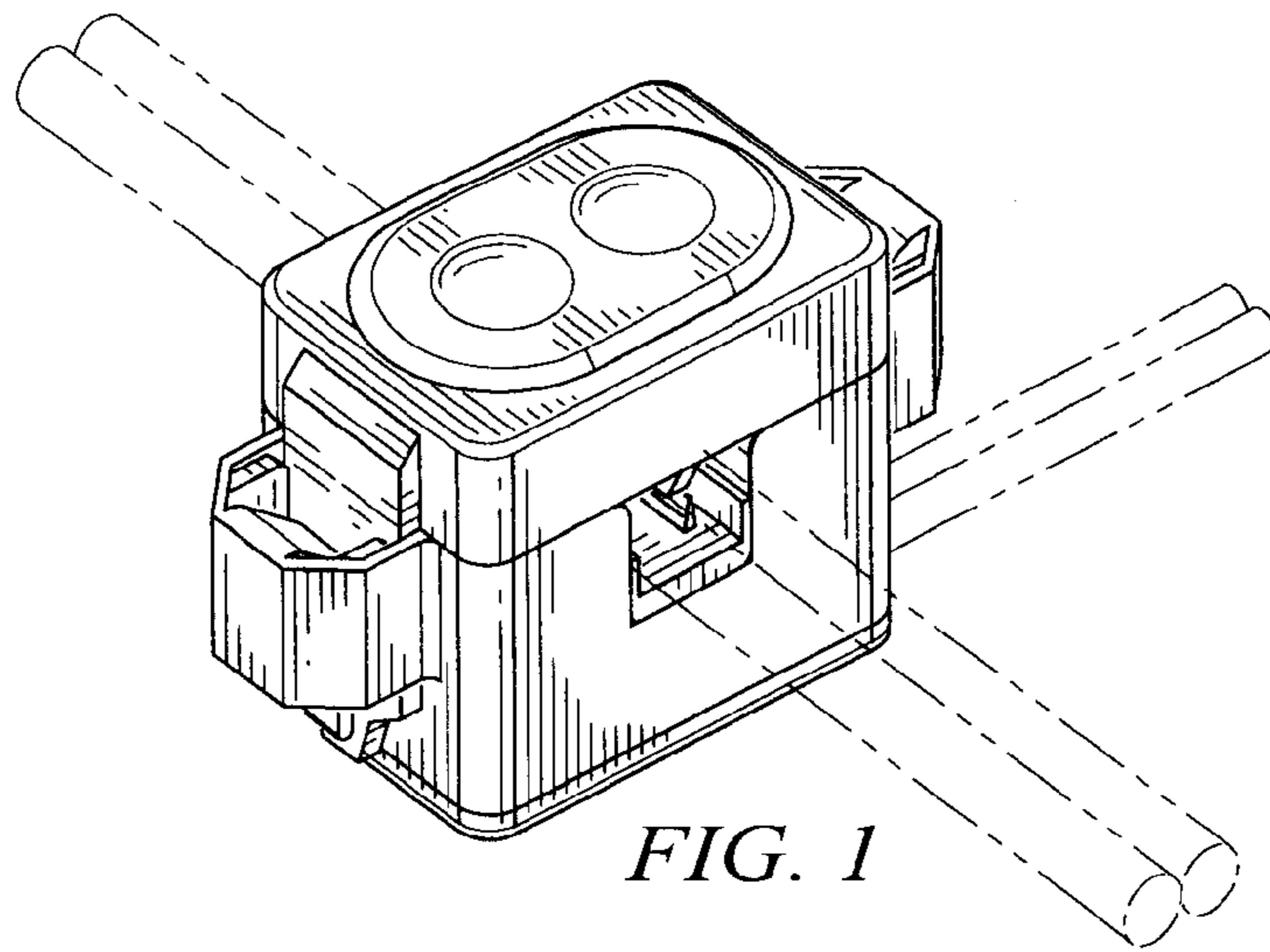


FIG. 1

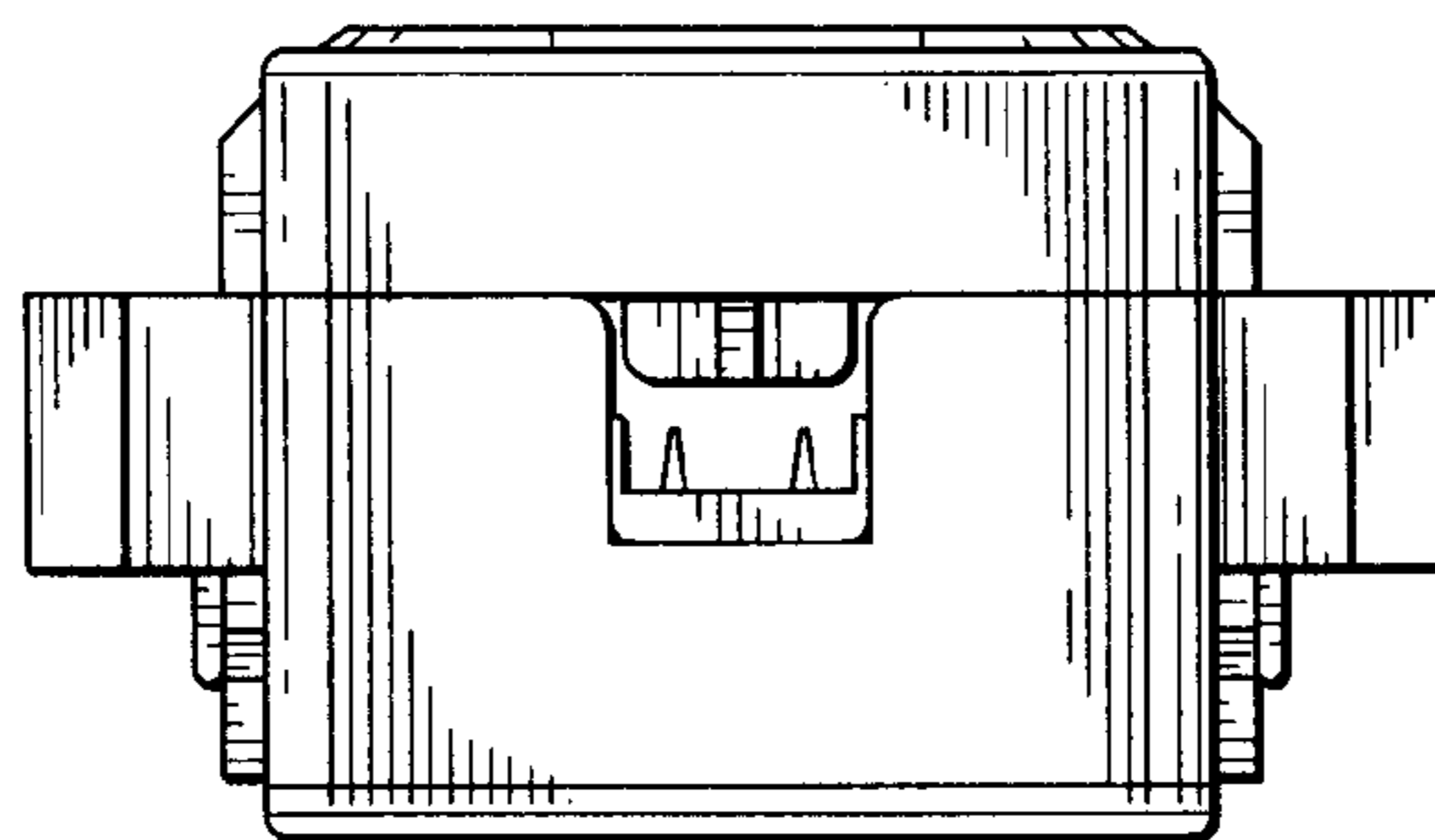


FIG. 2

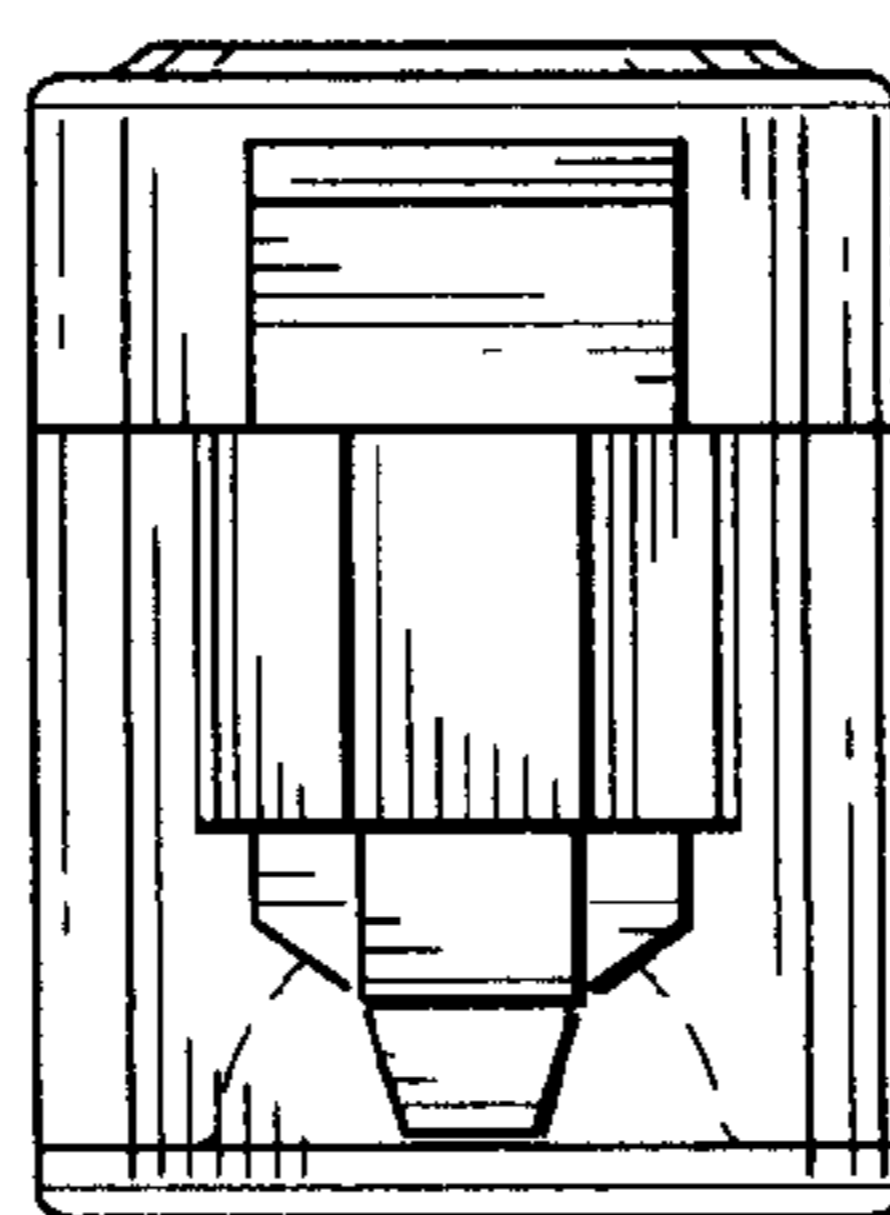


FIG. 3

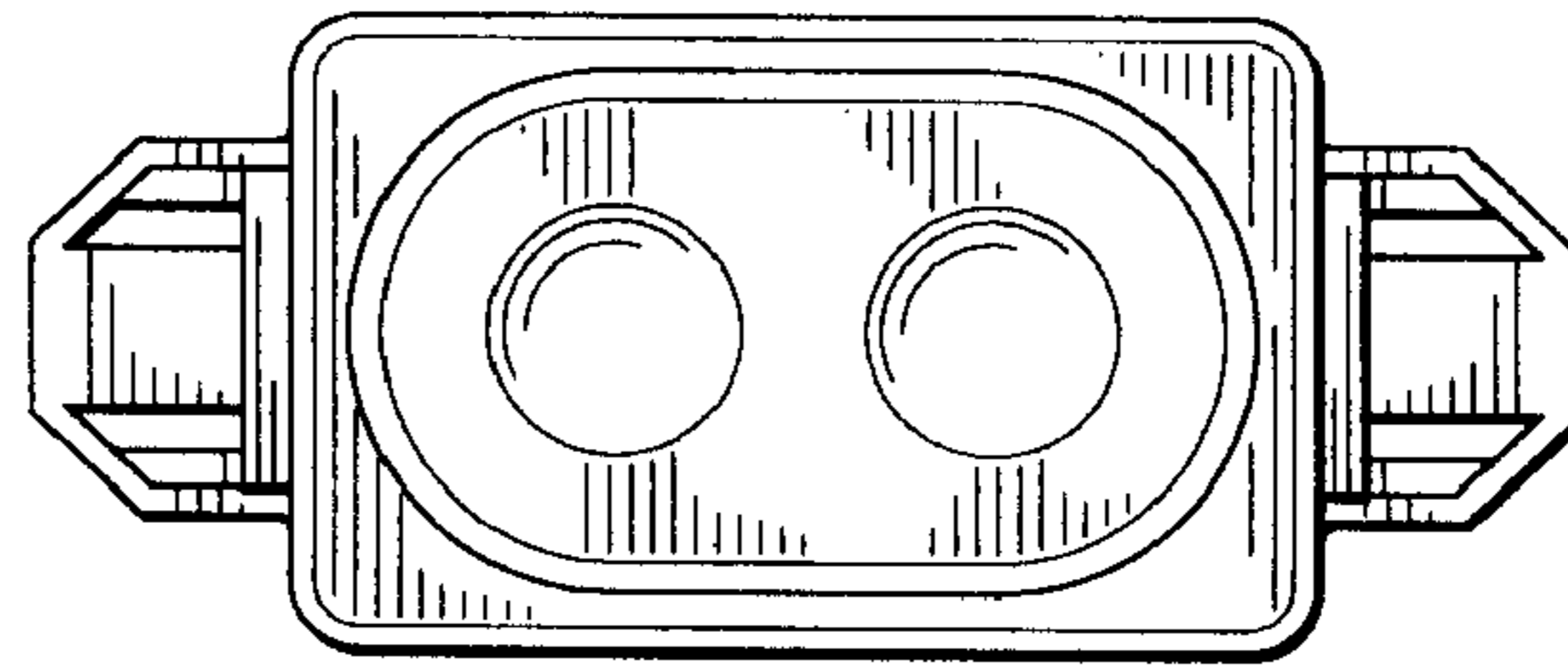


FIG. 4

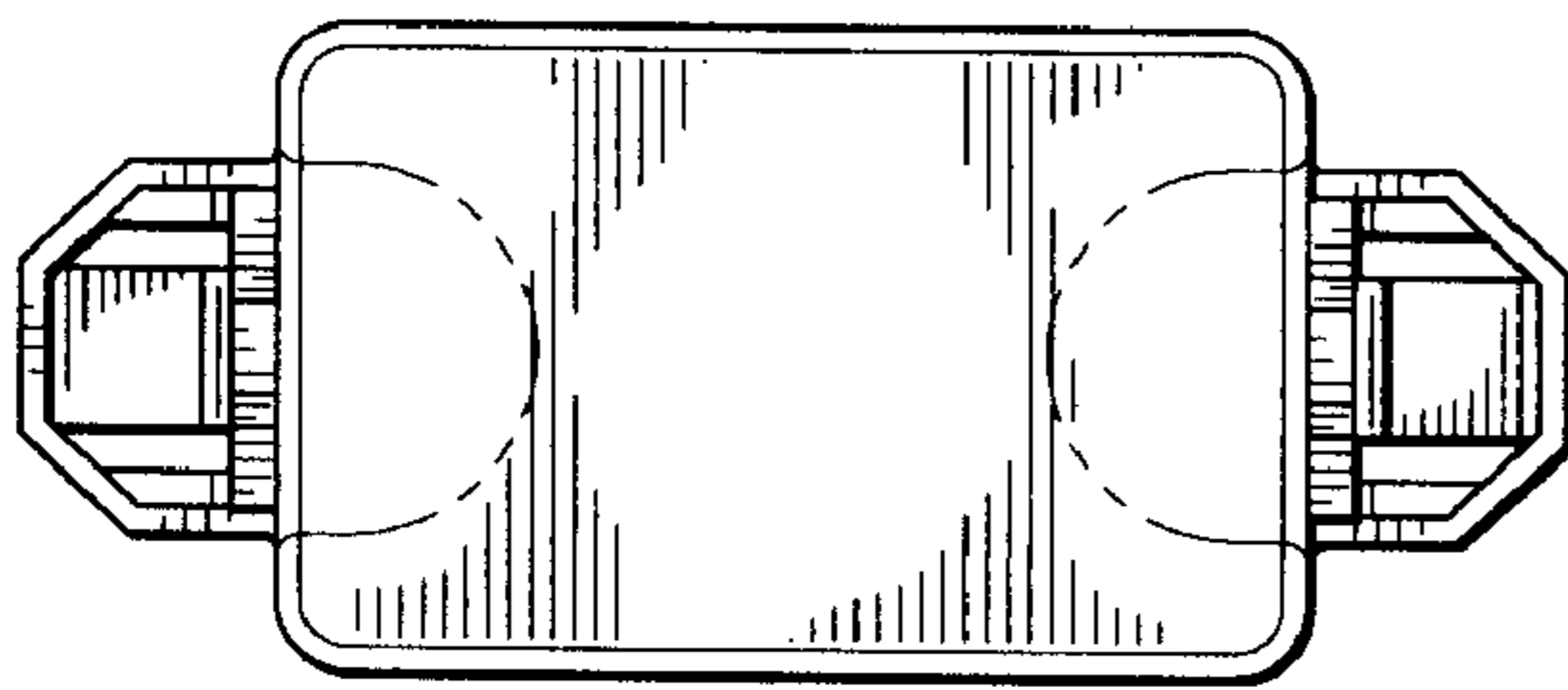


FIG. 5

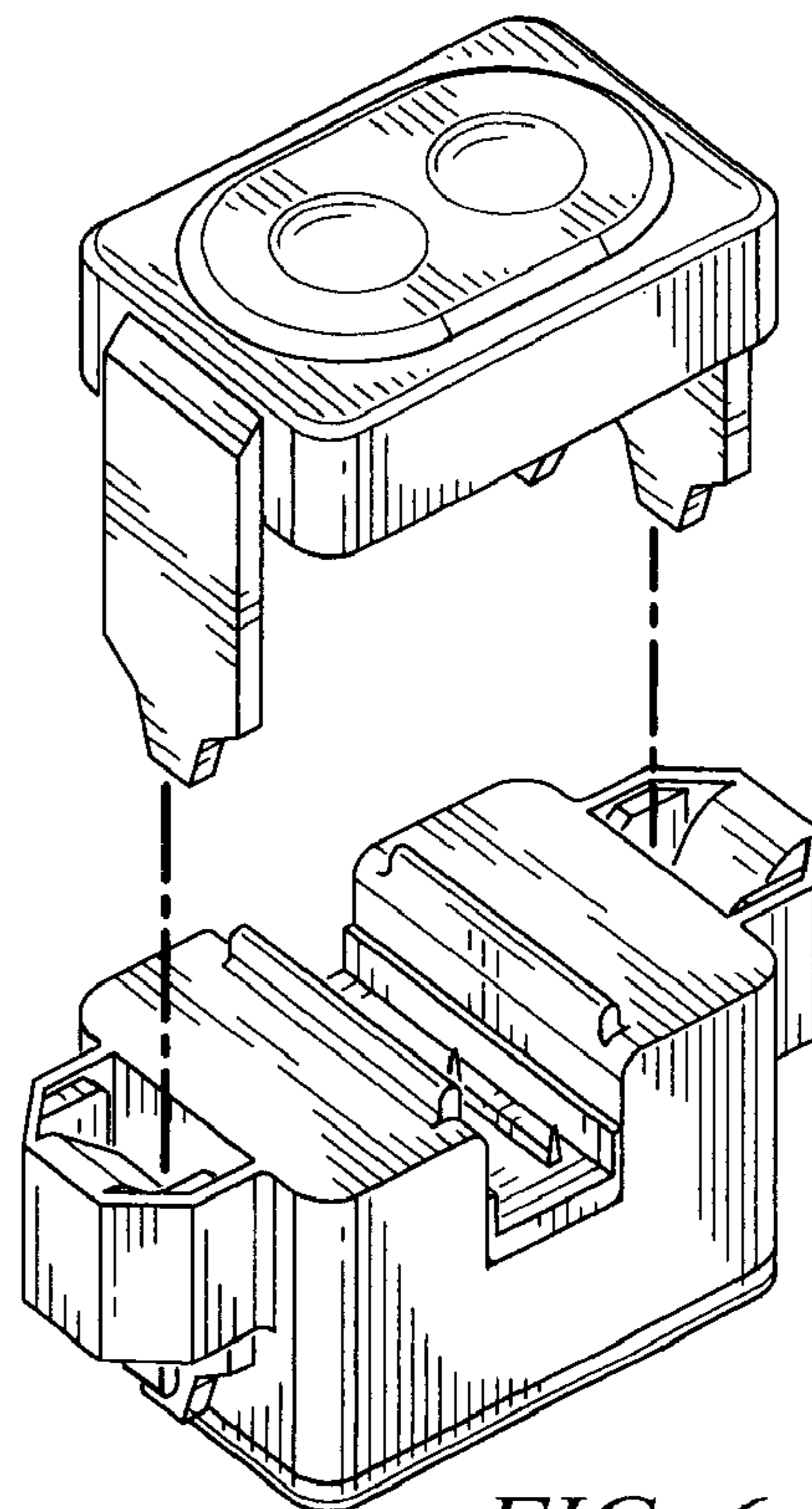


FIG. 6