



US00D538142S

(12) **United States Design Patent**  
**Heary, Sr.**

(10) **Patent No.:** **US D538,142 S**

(45) **Date of Patent:** **\*\* Mar. 13, 2007**

(54) **CABLE CLAMP**

(75) Inventor: **Kenneth P. Heary, Sr.**, Springville, NY  
(US)

(73) Assignee: **Heary Brothers Lighting Production  
Company, Inc.**, Springville, NY (US)

(\*\*) Term: **14 Years**

(21) Appl. No.: **29/185,798**

(22) Filed: **Jul. 2, 2003**

(51) **LOC (8) Cl.** ..... **08-08**

(52) **U.S. Cl.** ..... **D8/383**

(58) **Field of Classification Search** ..... D13/133,  
D13/149, 154; D26/1; D8/354, 396, 383,  
D8/394, 395; 248/61, 69, 65, 68.1; 439/92,  
439/95-99, 101, 108, 877, 883

See application file for complete search history.

(56) **References Cited**

**U.S. PATENT DOCUMENTS**

- 1,348,534 A \* 8/1920 Beine ..... 174/160
- D251,192 S \* 2/1979 De Luca ..... D13/133
- 4,325,598 A \* 4/1982 Leonardo ..... 439/98
- 4,334,726 A \* 6/1982 Kund ..... 439/99

- 4,973,259 A \* 11/1990 Sachs ..... 439/98
- 5,681,191 A \* 10/1997 Robicheau et al. .... 439/877
- D459,302 S \* 6/2002 Malin ..... D13/133

\* cited by examiner

*Primary Examiner*—Holly H. Baynham

*Assistant Examiner*—Cynthia M. Chin

(74) *Attorney, Agent, or Firm*—Simpson & Simpson, PLLC

(57) **CLAIM**

The ornamental design for a cable clamp, as shown and described.

**DESCRIPTION**

FIG. 1 is a perspective view of a cable clamp showing my new design;

FIG. 2 is a left side elevational view of the present invention;

FIG. 3 is a right side elevational view of the present invention;

FIG. 4 is a front elevational view of the present invention;

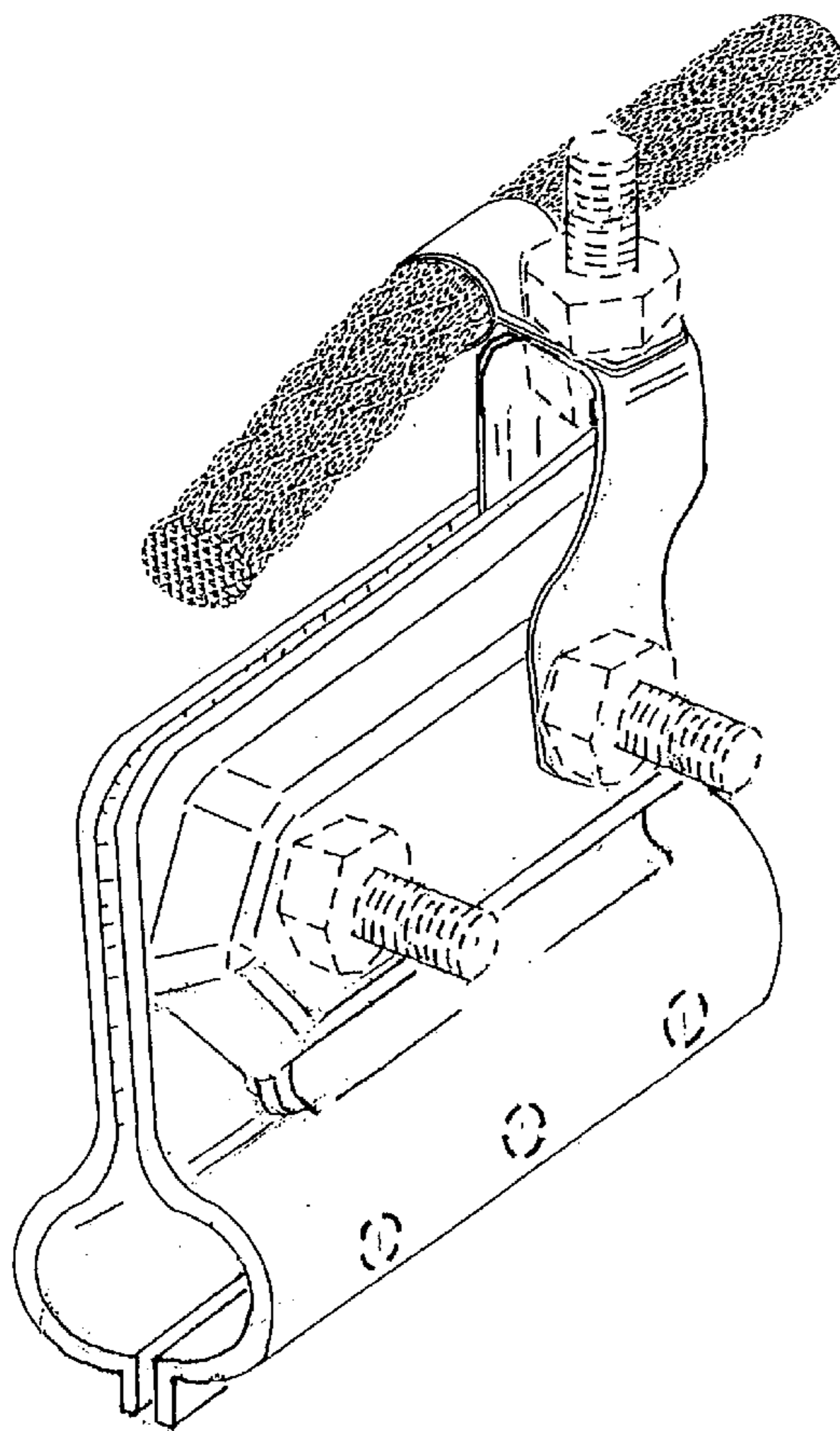
FIG. 5 is a rear elevational view of the present invention;

FIG. 6 is a top plan view of the present invention; and,

FIG. 7 is a bottom plan view of the present invention.

The structures shown in broken lines form no part of the claimed invention.

**1 Claim, 4 Drawing Sheets**



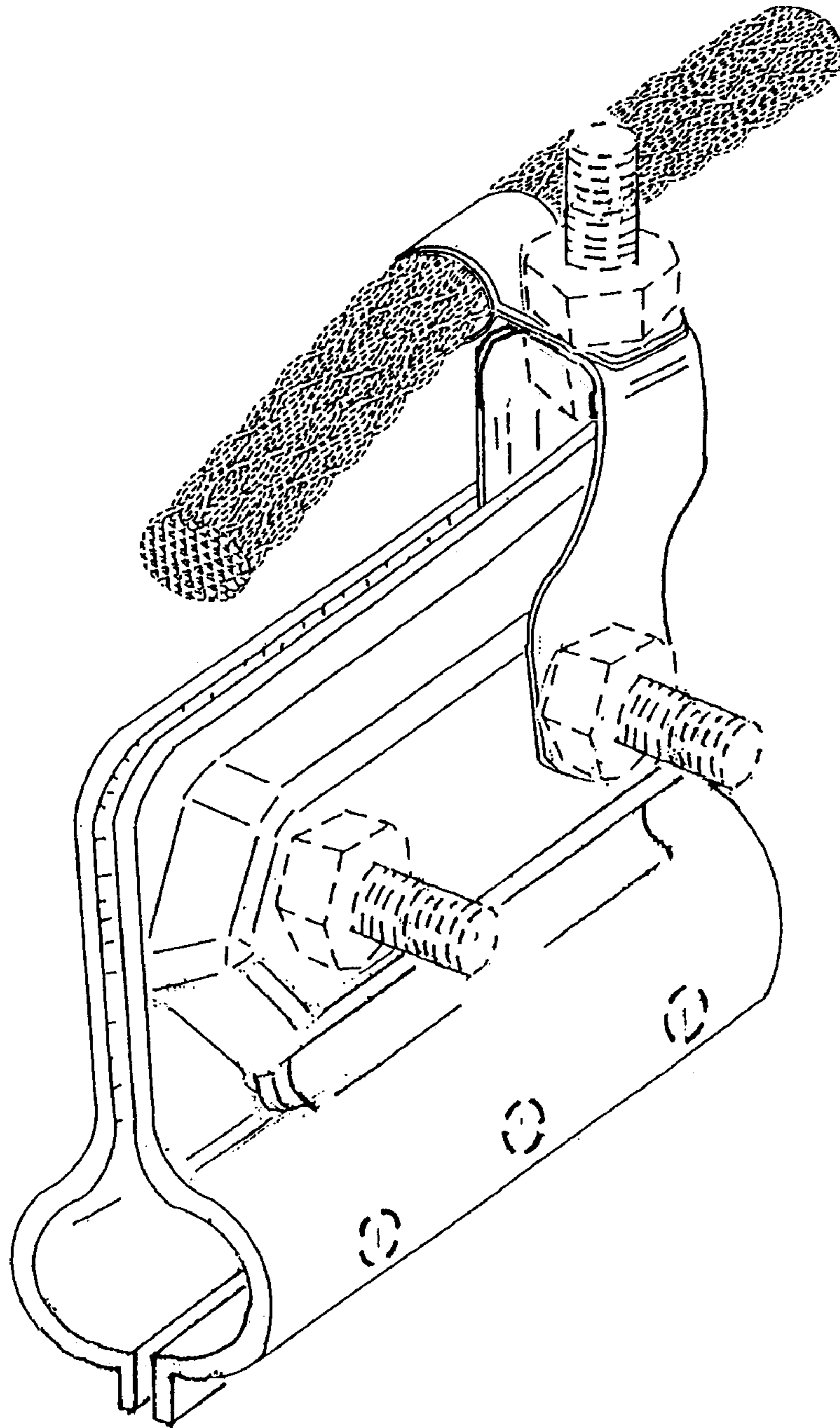


Fig. 1

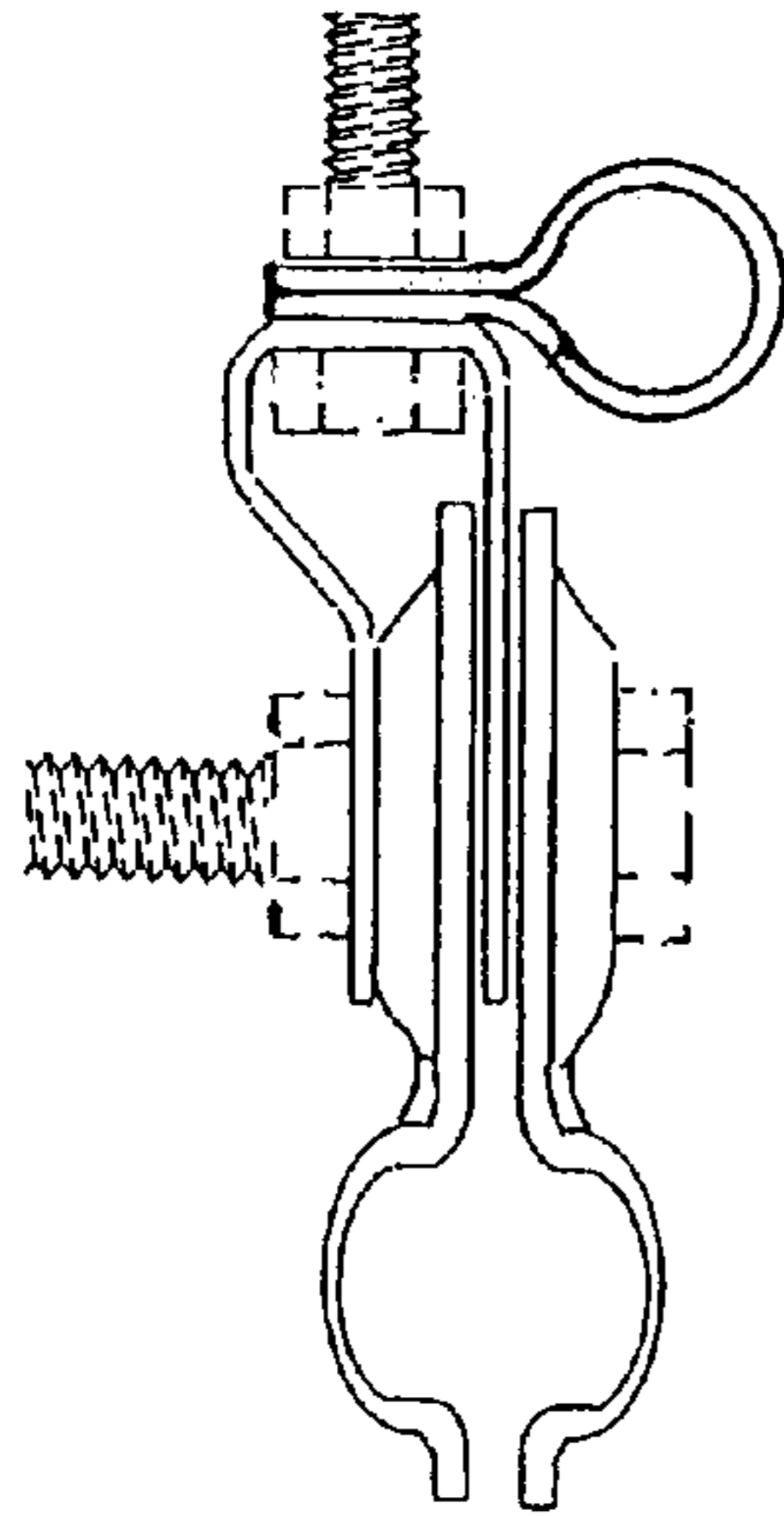


Fig. 2

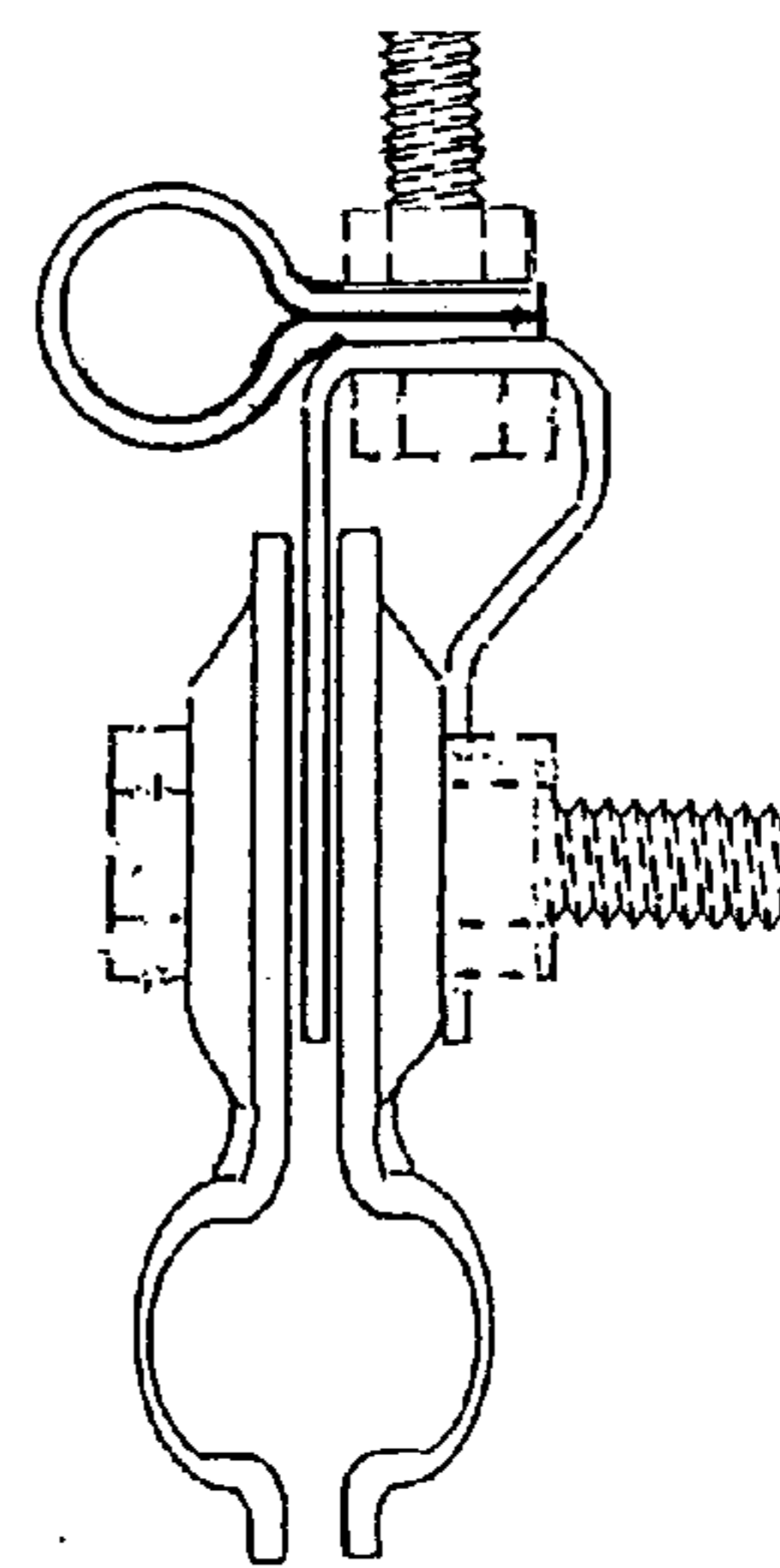


Fig. 3

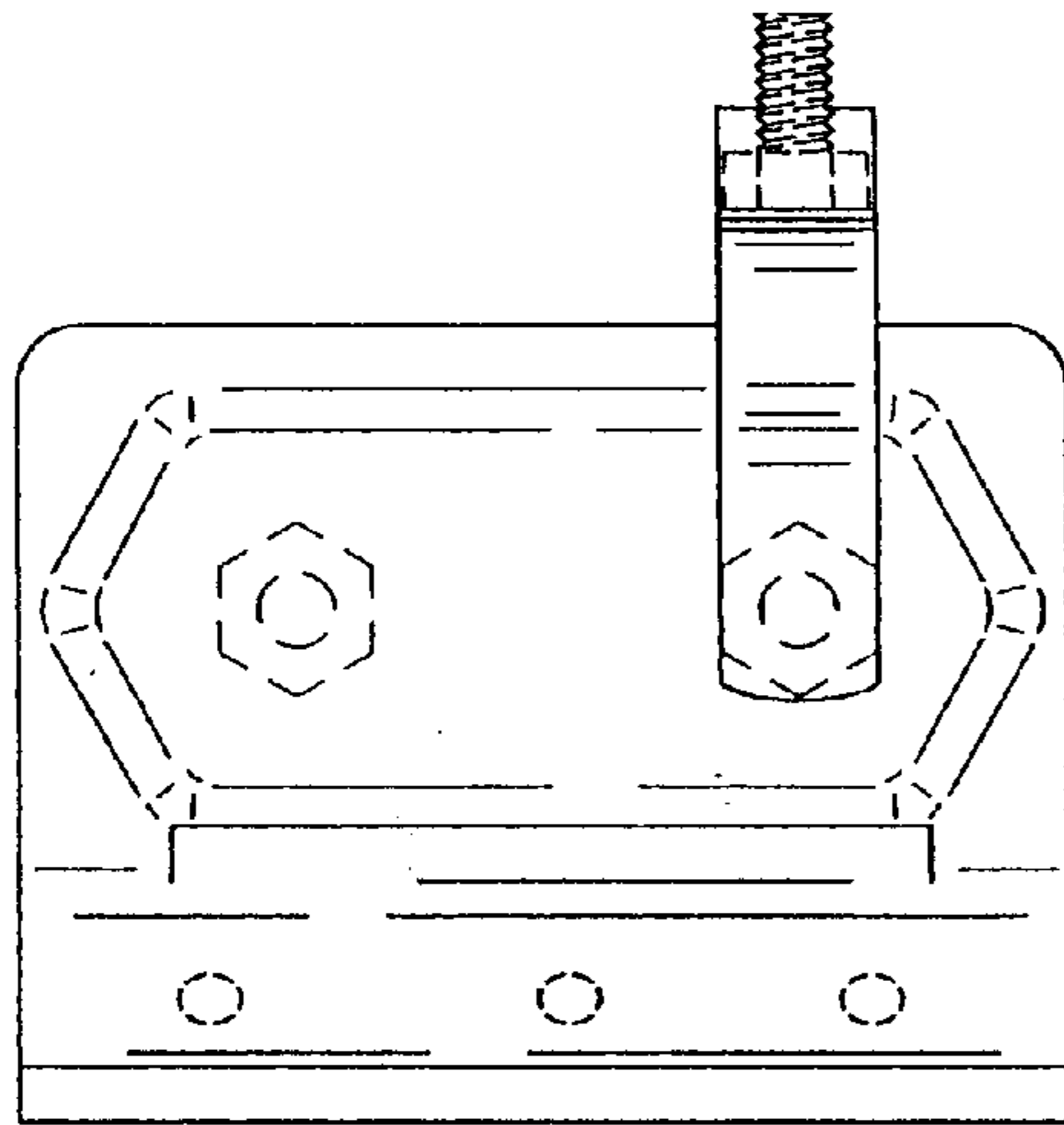


Fig. 4

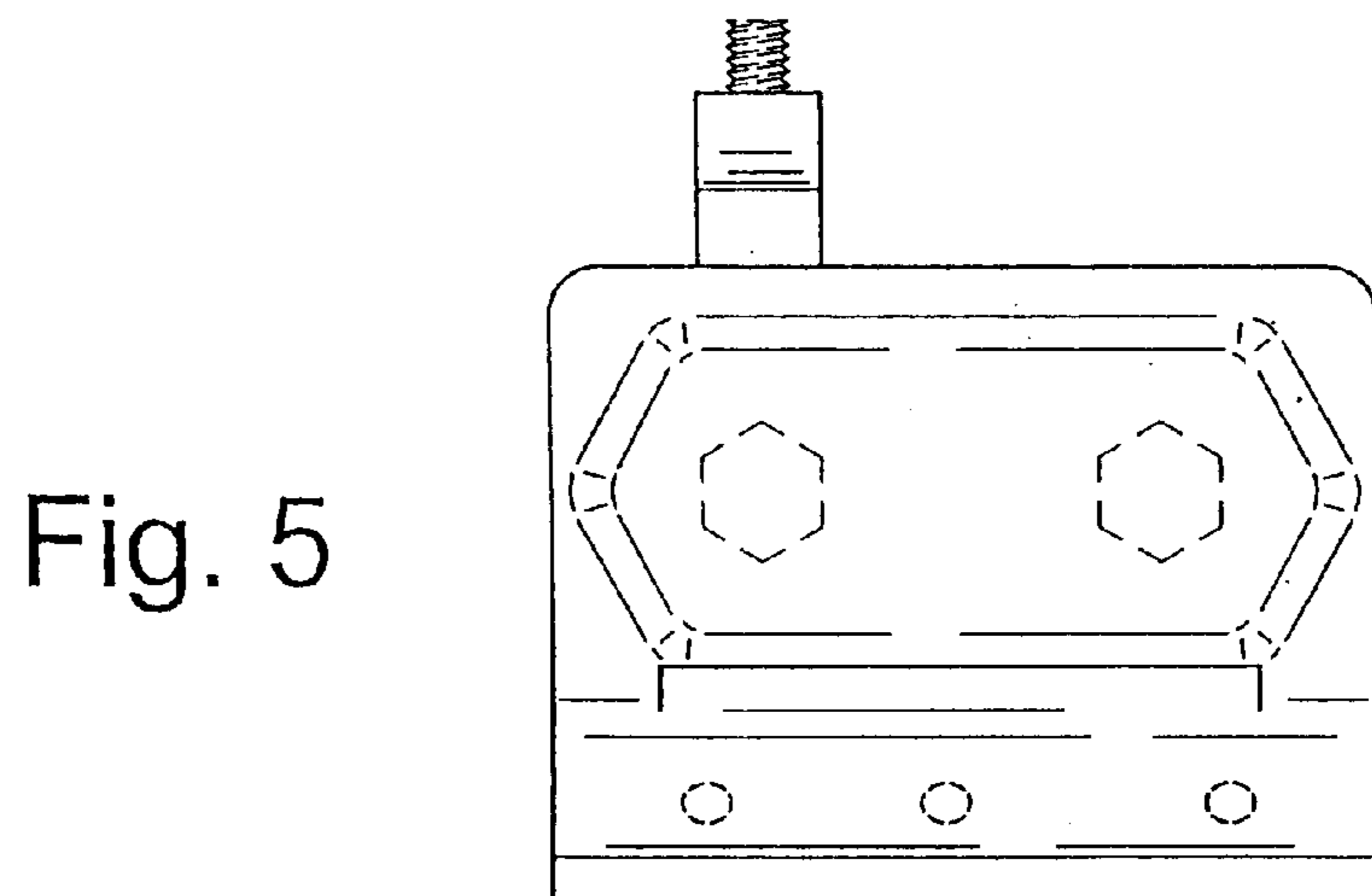


Fig. 5

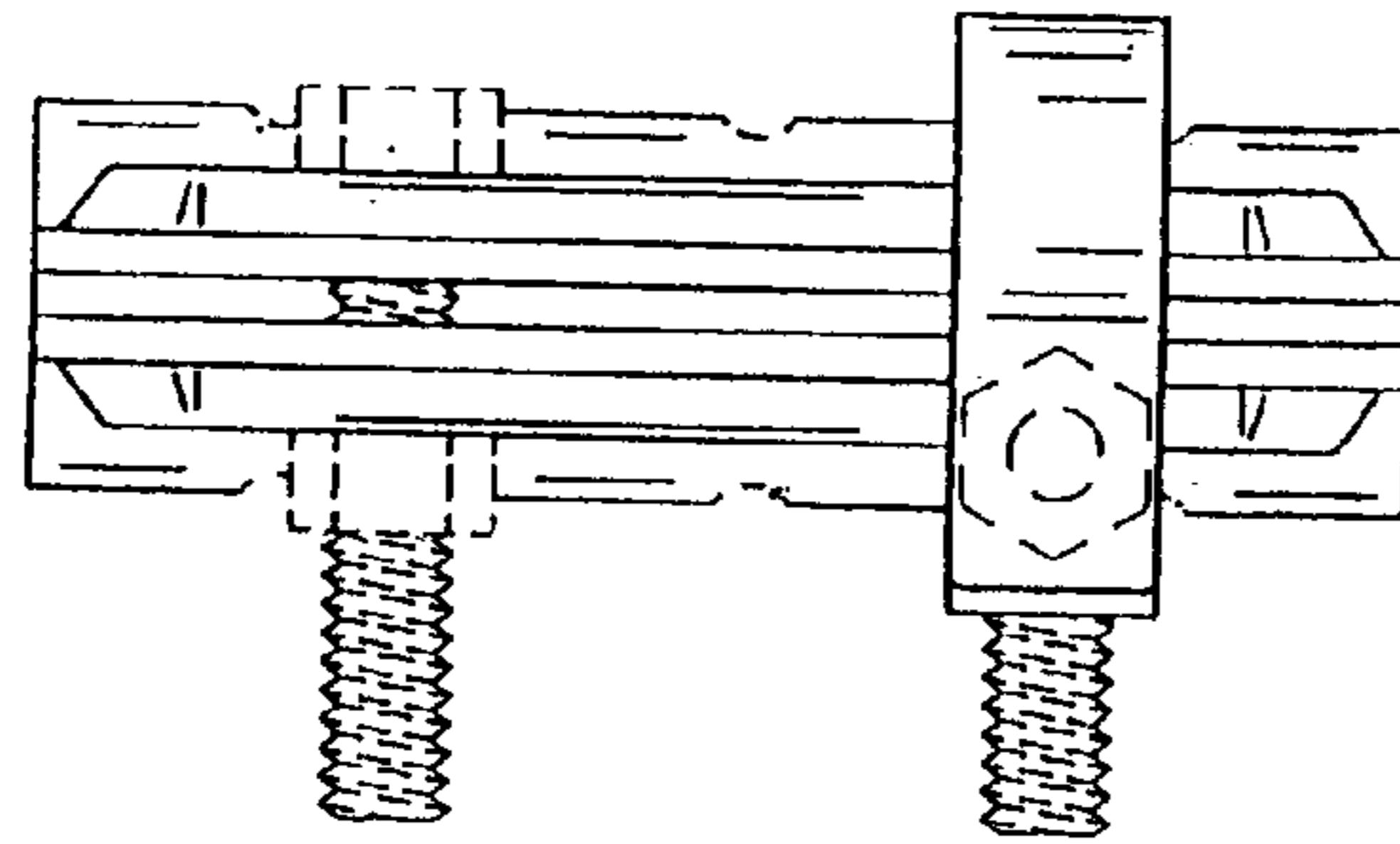


Fig. 6

Fig. 7

